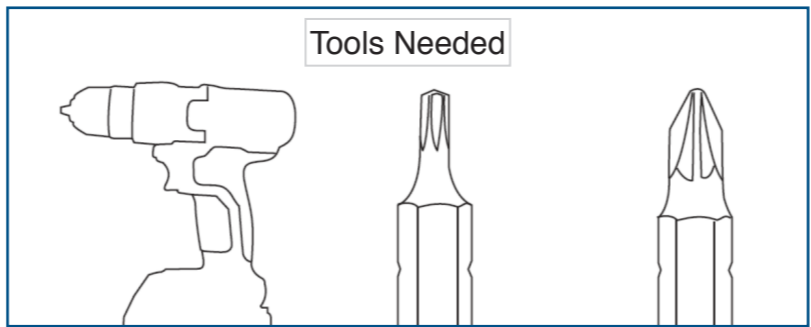
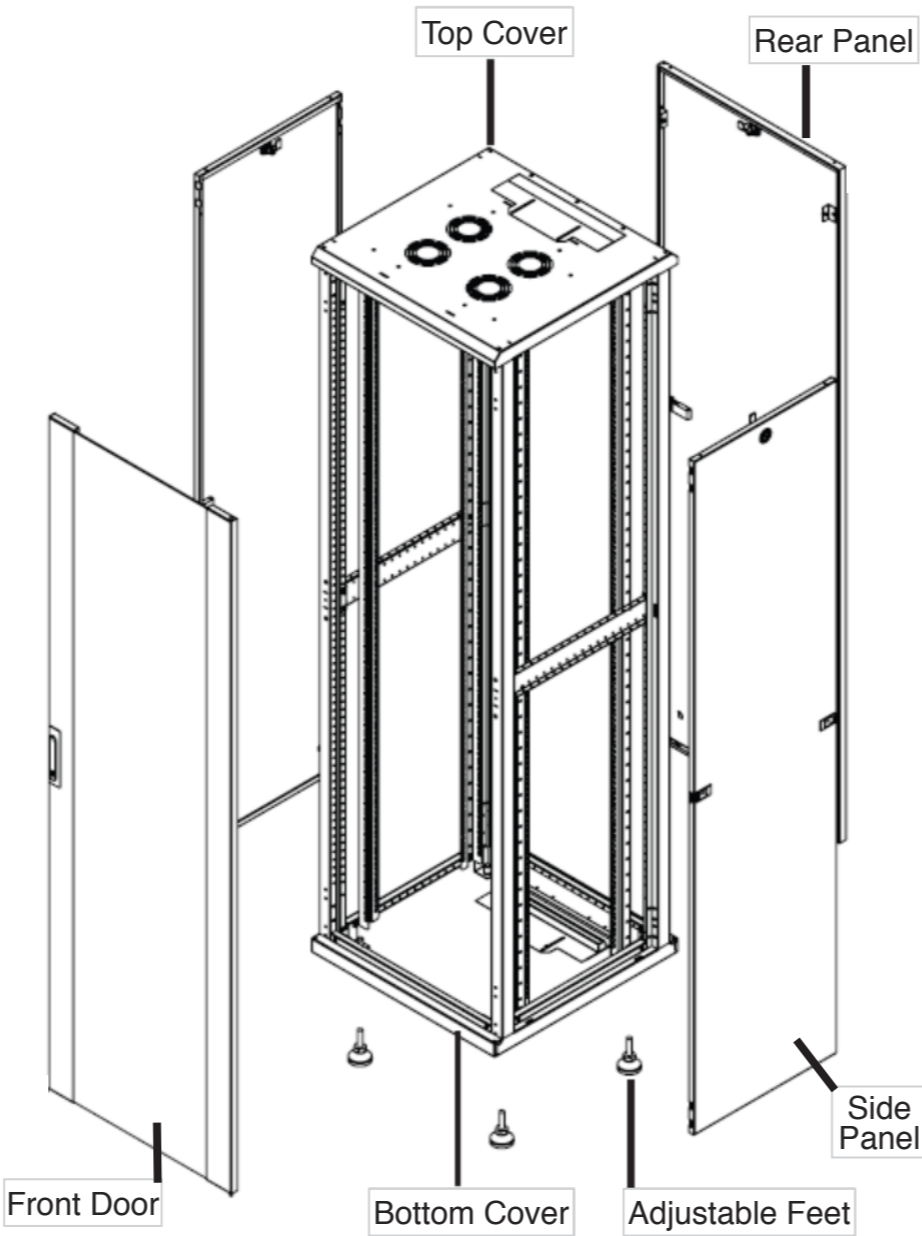


# Server & Network Cabinets

## Assembly Instructions



**1** Attach the Adjustable Feet to the Bottom Cover

Note: Cable entry is at the rear

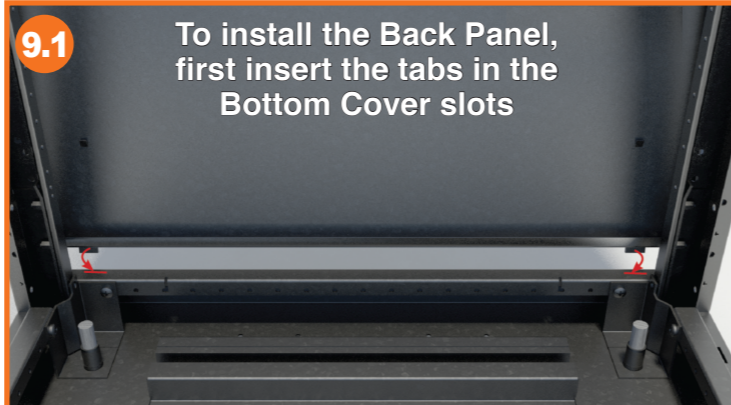
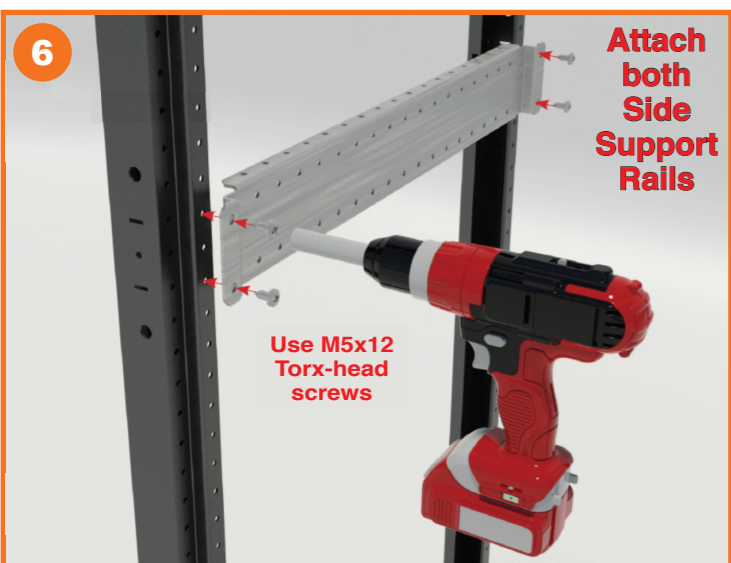
**2** Set the Vertical Profiles on the Bottom Cover

Insert each profile as shown

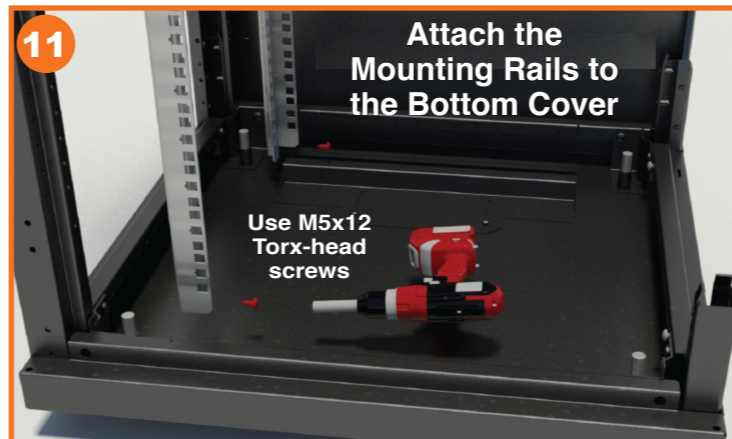
**3** Secure the Vertical Profiles on the inside using M5x12 Phillips-head screws

Do not overtighten: It can damage the screws





\* Steps 10-12 are for 600mm-wide cabinets. For cabinets that are 800 mm wide, jump to Step 13.1.  
**Caution:** The mounting rails are attached to the cabinet at 3 points: Be sure they are a safe distance from the door.



\* Steps 13.1 & 13.2 are for 800mm-wide cabinets.  
**13.1** Attach a pair of adapters to each side support rail (on the left and right sides of the cabinet interior).  
**13.2** Attach the mounting rails:  
 • First, to the adapter  
 • Next, to the bottom cover  
 • Then, to the top cover