

A-Class™ Mark II

Replacement Parts Catalog ■ ■ ■



right by our customers. ■ ■ ■



datamax·oneil

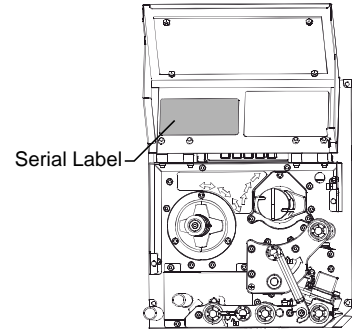
Using this Catalog

To use this catalog, identify the model number (located on the serial label on the cover, see illustration), the output direction, and the equipped options of the printer.

In this catalog, exploded views identify parts by item numbers. These item numbers reference part numbers in the table that follows the exploded view. Descriptions help ensure that you find the correct part number. Following the main printer assembly, individual assemblies provide further localization.

This catalog is arranged according to model number, print width, output direction, and options for the following printer models:

- A-4212 Mark II
- A-4310 Mark II
- A-4408 Mark II
- A-4606 Mark II
- A-6212 Mark II
- A-6310 Mark II



Revision Listing

Date	Rev.	Changes
1/1/11	A	Initial Release
10/1/11	B	DPO51-2401-10 replaced with DPO78-2802-01 OPT78-2657-15 replaced with OPT78-2873-02 78-2806-01 replaced with DPO78-2806-01 78-2806-02 replaced with DPO78-2806-02 78-2806-11 replaced with DPO78-2806-11 78-2806-12 replaced with DPO78-2806-12
6/1/12	C	24-2604-01 replaced by DPO24-2604-01 (2 pack) 15-2776-21 replaced by DPR15-2776-21 (2 pack)
6/2/12	D	Corrected illustration for assembly 15-2975-XX. Items 1 and 2 were reversed
12/1/12	E	51-2404-10 CCA APPLICATOR ROHS Replaced with: DPO51-2404-10 (1/PK) CCA, APPLICATOR DPO17-3071-01 (5PK) SPRING TORSION Replaced with: DPO17-3221-01 (4PK) SPRING TORSION Added: DPO17-3104-02 Antenna R. Duck RP/SMA
12/1/13	F	Updated printhead cable illustration

Contents

Four-Inch Right Hand Printer Assemblies.....	1
Printer Assembly 1 of 6	2
Printer Assembly 2 of 6	3
Printer Assembly 3 of 6	4
Printer Assembly 4 of 6	5
Printer Assembly 5 of 6	6
Printer Assembly 6 of 6	7
Lower Pinch Roller Assembly (15-2974-01)	10
Latch Assembly (15-2975-01)	11
Printhead Assembly (15-2977-01).....	12
Peel Roller Assembly (15-3019-02)	13
Take-up Roller Assembly (15-3019-03).....	13
Cover Assembly (15-3021-01).....	14
Printhead Pressure Assembly (15-3186-01).....	15
Platen Roller Removable (15-3215-01)	16
Card Cage Assembly (24-2685-XX)	17
Display Assembly (24-2691-01).....	18
Direct Thermal (78-2474-01)	19
Printhead / Pulley Kit, 203 DPI	20
Printhead / Pulley Kit, 300 DPI	21
Printhead / Pulley Kit, 406 DPI	22
Printhead / Pulley Kit, 600 DPI	23

Six-Inch Right Hand Printer Assemblies.....	25
Printer Assembly 1 of 6	26
Printer Assembly 2 of 6	27
Printer Assembly 3 of 6	28
Printer Assembly 4 of 6	29
Printer Assembly 5 of 6	30
Printer Assembly 6 of 6	31
Lower Pinch Roller Assembly (15-2974-02)	34
Latch Assembly (15-2975-02)	35
Printhead Assembly (15-2977-02).....	36
Peel Roller Assembly (15-3019-12)	37
Take-up Roller Assembly (15-3019-13).....	37
Cover Assembly (15-3021-02).....	38
Printhead Pressure Assembly (15-3186-02).....	39
Platen Roller Removable (15-3215-02)	40
Card Cage Assembly (24-2685-XX)	41
Display Assembly (24-2691-01).....	43
Direct Thermal (78-2474-01)	44
Printhead / Pulley Kit, 203 DPI	45
Printhead / Pulley Kit, 300 DPI	46

Four-Inch Left Hand Printer Assemblies	47
Printer Assembly 1 of 6	48
Printer Assembly 2 of 6	49
Printer Assembly 3 of 6	50
Printer Assembly 4 of 6	51
Printer Assembly 5 of 6	52
Printer Assembly 6 of 6	53
Lower Pinch Roller Assembly (15-2974-11)	56
Latch Assembly (15-2975-11)	57
Printhead Assembly (15-2977-11).....	58
Peel Roller Assembly (15-3019-02)	59
Take-up Roller Assembly (15-3019-03).....	59
Cover Assembly (15-3021-11).....	60
Printhead Pressure Assembly (15-3186-11).....	61
Platen Roller Removable (15-3215-11)	62
Card Cage Assembly (24-2685-XX)	63
Display Assembly (24-2691-01).....	64
Direct Thermal (78-2474-01)	65
Printhead / Pulley Kit, 203 DPI	66
Printhead / Pulley Kit, 300 DPI	67
Printhead / Pulley Kit, 406 DPI	68
Printhead / Pulley Kit, 600 DPI	69

Six-Inch Left Hand Printer Assemblies.....	71
Printer Assembly 1 of 6	72
Printer Assembly 2 of 6	73
Printer Assembly 3 of 6	74
Printer Assembly 4 of 6	75
Printer Assembly 5 of 6	76
Printer Assembly 6 of 6	77
Lower Pinch Roller Assembly (15-2974-12)	80
Latch Assembly (15-2975-12)	81
Printhead Assembly (15-2977-12).....	82
Peel Roller Assembly (15-3019-12)	83
Take-up Roller Assembly (15-3019-13).....	83
Cover Assembly (15-3021-12).....	84
Printhead Pressure Assembly (15-3186-12).....	85
Platen Roller Removable (15-3215-12)	86
Card Cage Assembly (24-2685-XX)	87
Display Assembly (24-2691-01).....	88
Direct Thermal (78-2474-01)	89
Printhead / Pulley Kit, 203DPI	90
Printhead / Pulley Kit, 300 DPI	91

Printer Options, All Models	93
Card, Memory, USB/SDIO (78-2801-XX)	94
Cutter, Linerless, Four-Inch Right Hand Models (61-2173-02)	95
Wi-Fi Interface (78-2657-15)	97
Remote Display Assembly	98
RFID	99
Ribbon Saver	102
Four-Inch Right Hand RS Models (78-2449-01)	103
Six-Inch Right Hand RS Models (78-2449-02)	103
Four-Inch Left Hand RS Models (78-2449-11)	104
Six-Inch Left Hand RS Models (78-2449-12)	104
Brake Assembly (24-2611-01)	105
Brake Assembly (24-2611-02)	106
Ribbon Saver Cam Assembly (15-3002-01)	107
Thermal Transfer	108
Four-Inch Right Hand Models (78-2448-41)	108
Six-Inch Right Hand Models (78-2448-42)	109
Four-Inch Left Hand Models (78-2448-43)	109
Six-Inch Left Hand Models (78-2448-44)	109
Ribbon Supply Hub Assembly	110
Four-Inch Models, All (15-2979-21)	110
Six-Inch Models, All (15-2979-22)	110
Ribbon Supply Hub, Four-Inch Models (15-3044-11)	111
Ribbon Supply Hub, Six-Inch Models (15-3044-12)	112
Ribbon Take-up Assembly	113
Four-Inch Right Hand Models (15-3007-01)	113
Six-Inch Right Hand Models (15-3007-02)	114
Four-Inch Left Hand Models (15-3007-11)	114
Six-Inch Left Hand Models (15-3007-12)	114
Top Pinch Roller, Right Hand Models	115
Four-Inch Right Hand Models (DPO78-2806-01)	115
Six-Inch Right Hand Models (DPO78-2806-02)	116
Top Pinch Roller, Left Hand Models	117
Four-Inch Left Hand Models (DPO78-2806-11)	117
Six-Inch Left Hand Models (DPO78-2806-12)	118

Four-Inch Right Hand Printer Assemblies:

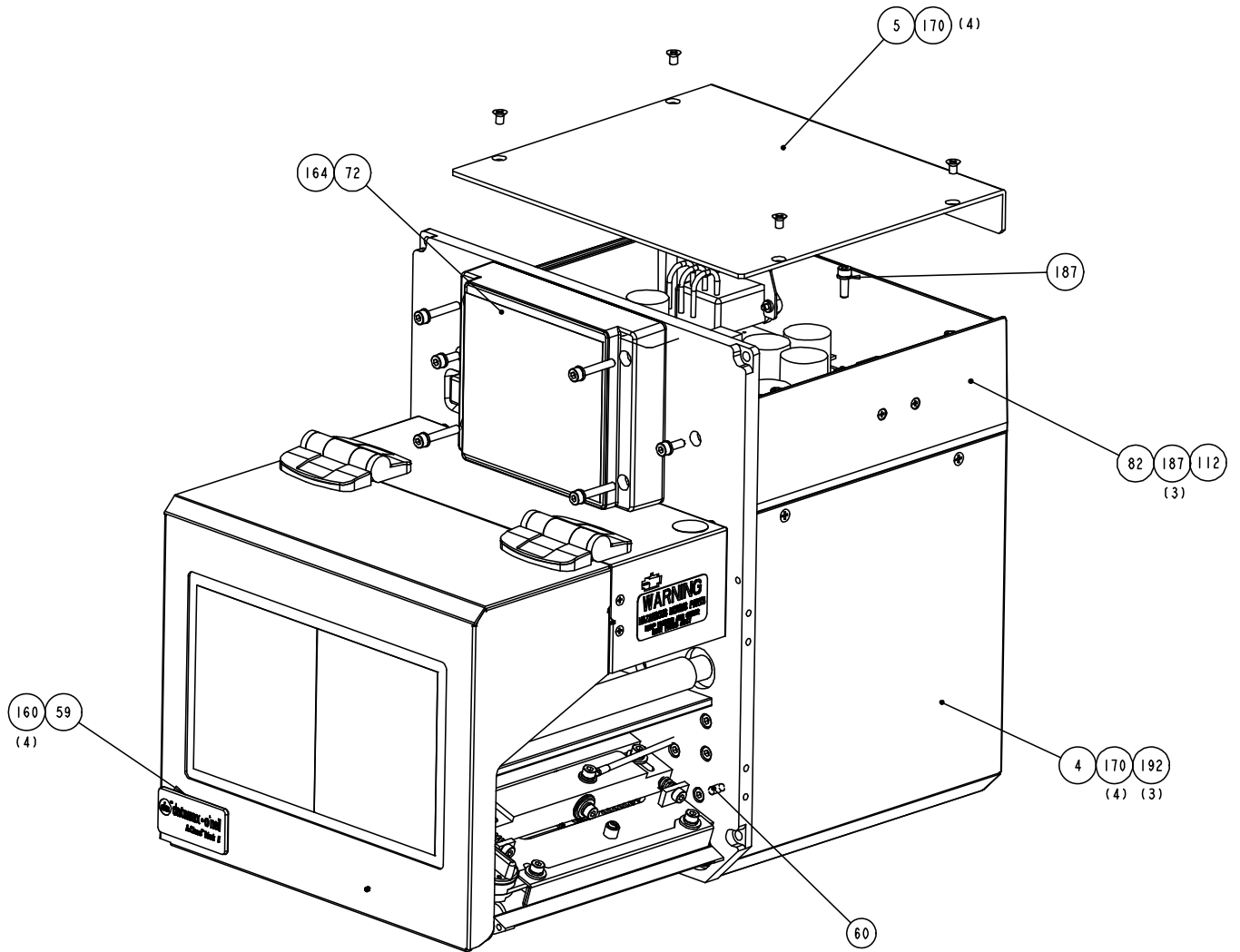
A-4212 Mark II

A-4310 Mark II

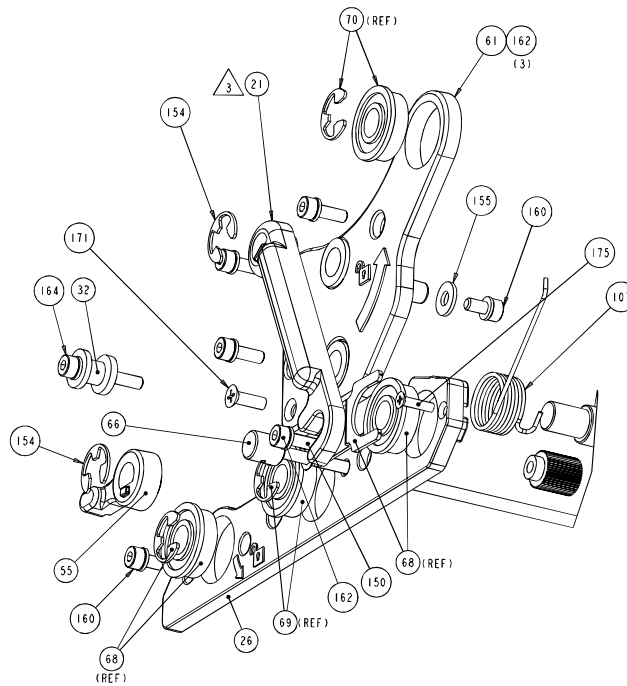
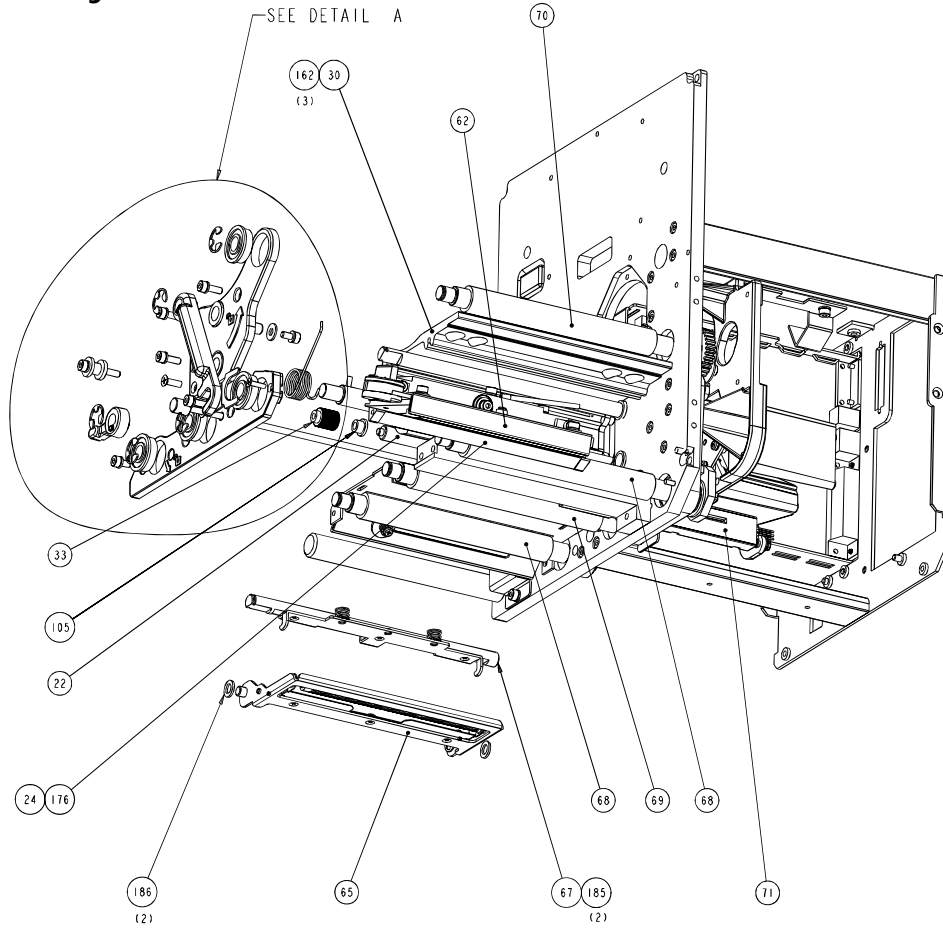
A-4408 Mark II

A-4606 Mark II

Printer Assembly 1 of 6

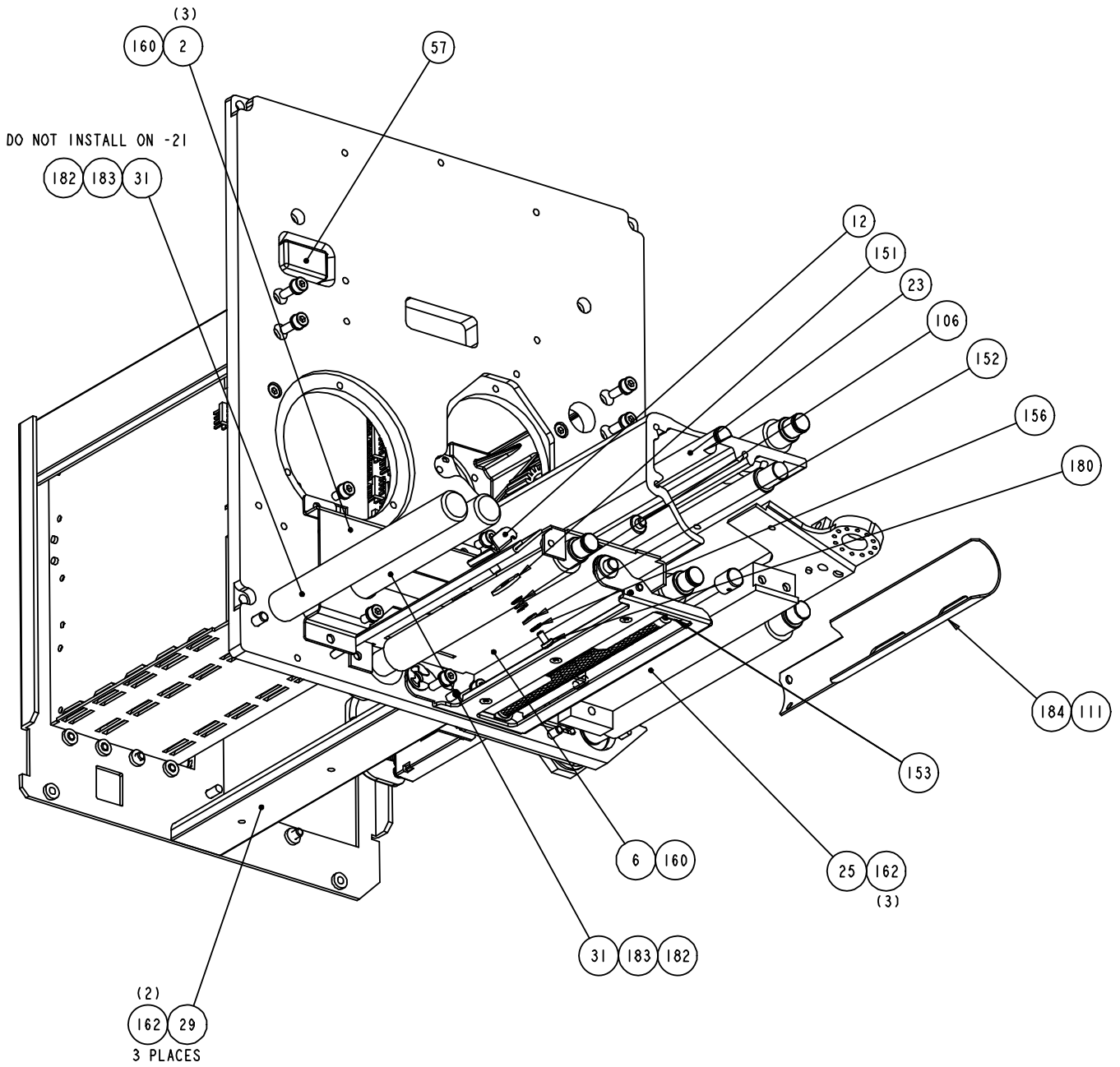


Printer Assembly 2 of 6

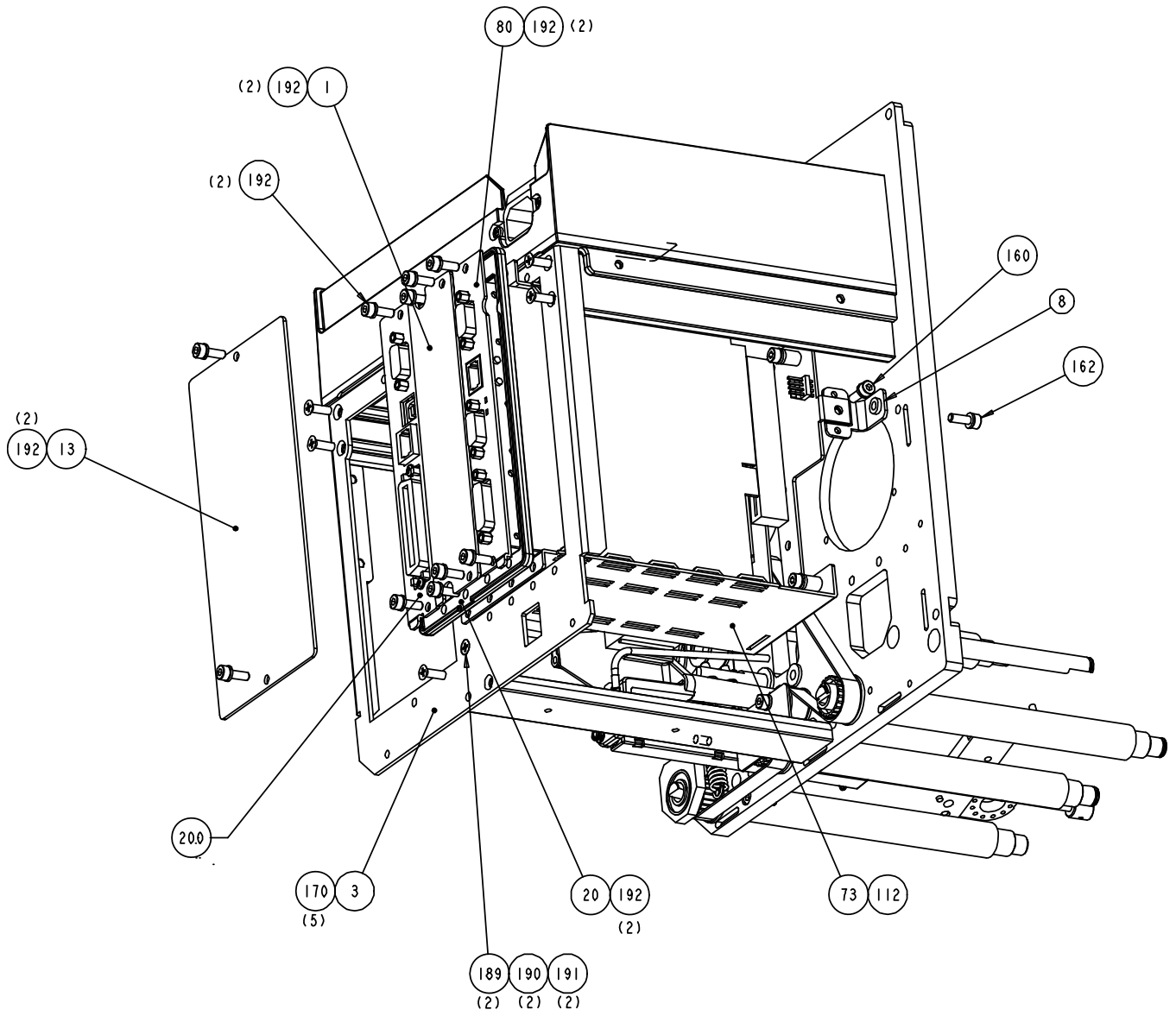


DETAIL A
SCALE 1.500

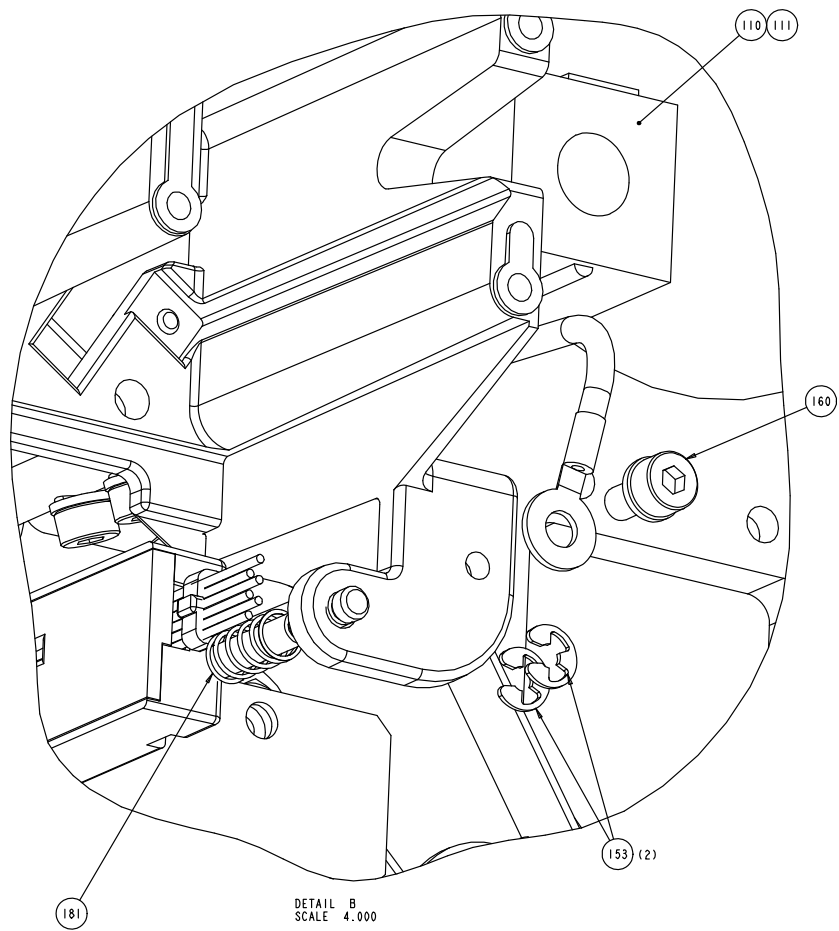
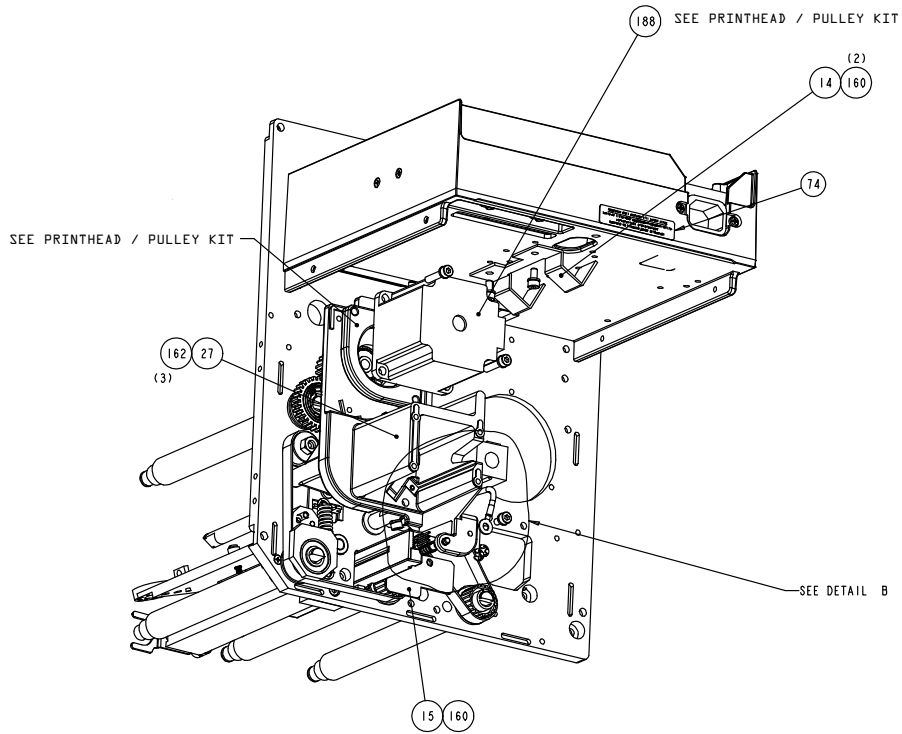
Printer Assembly 3 of 6



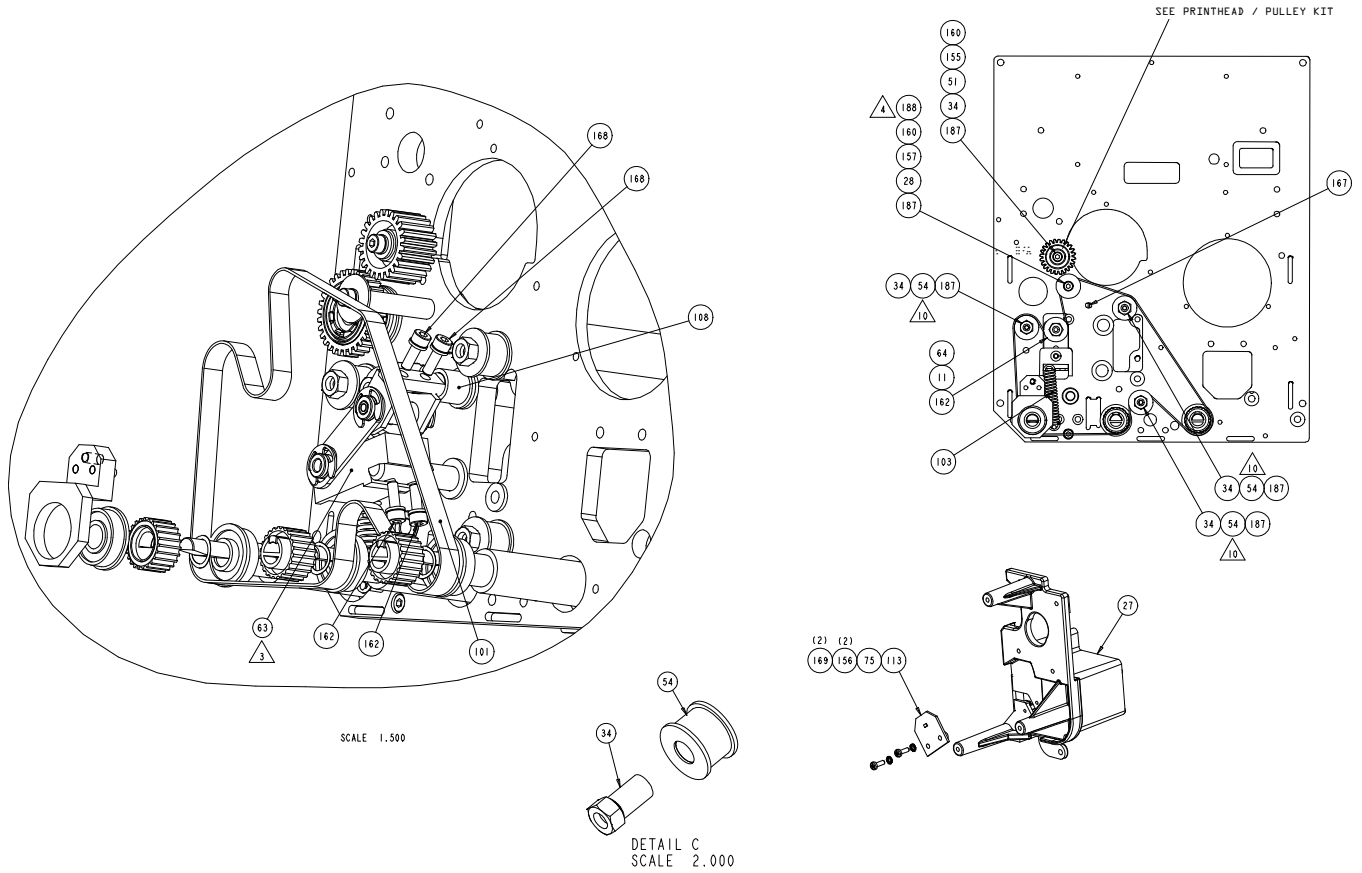
Printer Assembly 4 of 6



Printer Assembly 5 of 6



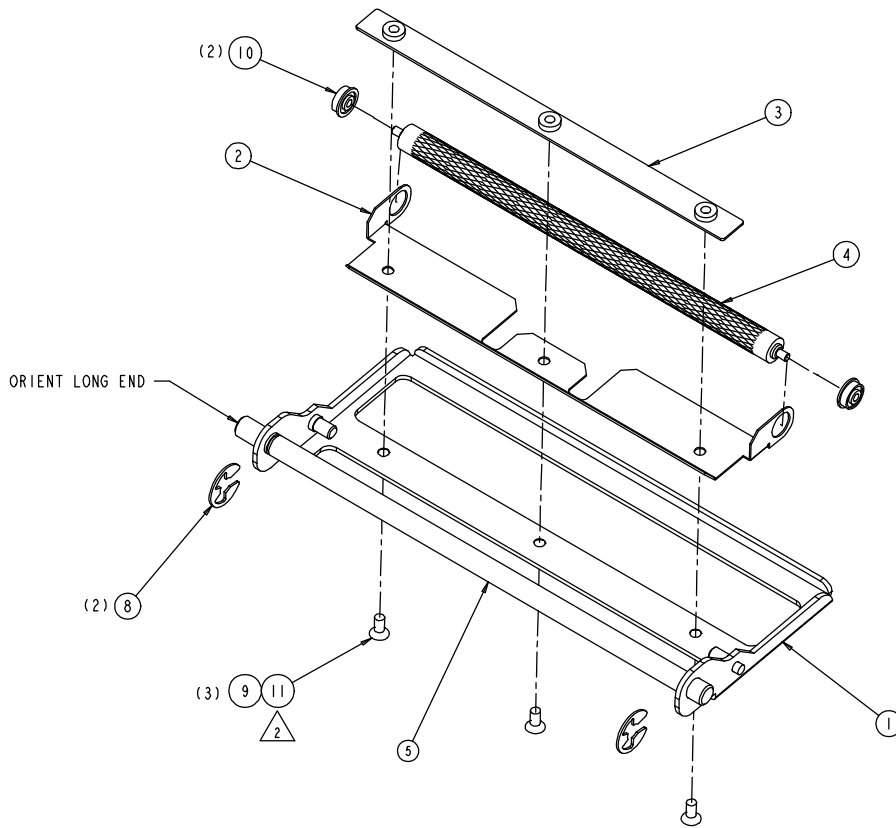
Printer Assembly 6 of 6



Item	Part Number	Description	Notes
1	11-5279-01	PLATE COVER EXPANSION ROHS	
	11-5771-01	PLATE REAR WIRELESS ONLY	See option
2	11-5790-01	G2 GUIDE MEDIA RH W/PINCH ROLLER	
3	11-5780-01	G2 PLATE REAR MEMORY CARD RH	
4	11-5786-01	G2 COVER REAR W/O MEMORY CARD RH	
	11-5779-01	G2 COVER REAR WITH MEMORY CARD RH	
5	11-5531-01	COVER TOP ROHS	
6	11-5791-01	G2 PLATE LOWR 4" RH W/PINCH ROL NTH	
8	11-5577-01	SUPPORT CARD CAGE ROHS	
11	11-5570-01	PLATE NUT ROHS	
12	11-5536-01	GUIDE MEDIA ADJUSTABLE RH ROHS	
13	11-5427-01	PLATE COVER ROHS	
	11-5785-01	G2 PLATE COVER REMOTE DISPLAY	See assembly details
14	11-5602-01	BRACKET RETAINER CABLE ROHS	
15	11-5603-01	COVER CABLE ROHS	
20	12-3342-01	PLATE MOUNTING CARD CAGE ROHS	
21	12-3255-01	HANDLE LATCH RH ROHS	
22	12-3052-02	SHAFT RIBBON IDLER ROHS	
23	12-3217-01	SHAFT LATCH PRINTHEAD 4" ROHS	
24	12-3488-01	BAR PEEL 4" ROHS	
25	12-3244-01	BLOCK SUPPORT PLATEN 4" ROHS	
26	12-3214-01	PLATE SIDE LOWER RH ROHS	
	12-3498-01	G2 PLATE SIDE LWR RH WITH PINCH ROLLER	
27	12-3286-01	BRACKET SUPPORT MOTOR RH ROHS	
28	12-3432-01	POST IDLER ROHS	
29	12-3221-01	BLOCK SUPPORT REAR ROHS	
30	12-3215-01	SUPPORT CENTER ROHS	
31	12-3254-01	POST MEDIA 4" ROHS	
32	12-3221-02	G2 BLOCK SUPPORT REAR W/MEMRY CARD	
33	DPO12-3051-01	(5PK) CAM IDLER RIBBON ROHS	
34	12-3219-01	POST ILDER ROHS	
51	DPO16-2935-01	(2PK) GEAR IDLER ROHS	
54	15-3119-01	PULLEY ASSEMBLY ROHS	
55	16-2924-02	HANDLE LATCH ROHS	
57	DPO16-2950-01	(5PK) COVER SWITCH - PROTECTIVE ROHS	
59	15-3021-01	COVER ASSEMBLY 4" RH ROHS	See assembly details
60	15-3220-01	G2 CENTERPLATE ASSEMBLY RH	
61	15-3015-01	UPPER SIDE PLATE ASSY RH ROHS	
62	15-2977-01	ASSY 4" RH PRINTHEAD ROHS	See assembly details
63	15-3186-01	PH PRESS ASSY 4" RH ROHS	See assembly details
64	15-2970-01	TENSION ASSY ROHS	
65	15-2974-01	LOWER PINCH ROLLER ASSY 4" RH ROHS	See assembly details
67	15-2975-01	RH 4" LATCH ASSEMBLY ROHS	See assembly details
68	15-3215-01	G2 RH REMOVABLE PLATEN ROLLER ASSY 4"	See assembly details
69	15-3019-02	PLATEN ROLLER ASSY 4" PEEL ROHS	See assembly details
70	15-3019-03	PLATEN ROLLER ASSY 4" TAKE-UP ROHS	See assembly details
71	DPO24-2604-01	(2PK) MEDIA SENSOR ASSEMBLY ROHS	
72	24-2691-01	G2 DISPLAY ASSEMBLY ROHS	See assembly details

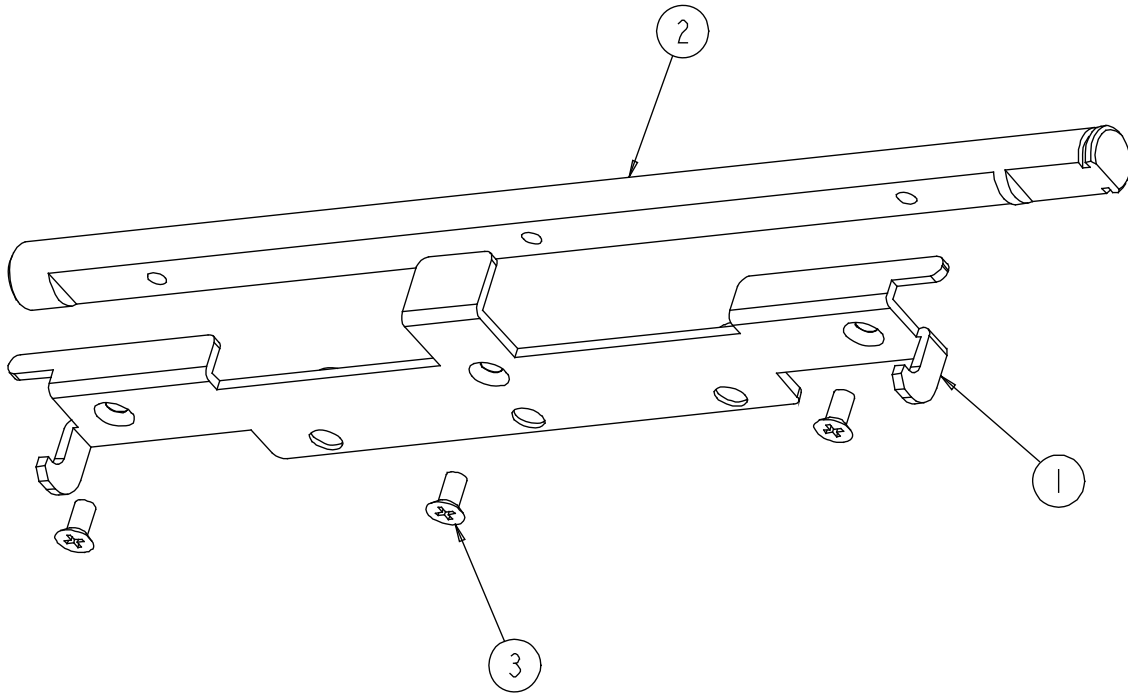
Item	Part Number	Description	Notes
73	24-2685-01	G2 CARD CAGE ASSY NON-REMOTE	See assembly details
	24-2685-02	G2 CARD CAGE ASSY REMOTE READY	See assembly details
74	---	EARTHED SOCKET-OUTLET LABEL COMPACT	
75	51-2434-00	CCA HEAD HOME HALL EFF. ROHS	
80	DPO51-2404-10	(1/PK) CCA,APPLICATOR	
82	24-2617-01	POWER SUPPLY ASSEMBLY ROHS	
101	17-2987-01	BELT TIMING 184 T 3MM HTD ROHS	
103	17-3094-01	SPRING EXTENSION ROHS	
105	DPO17-2816-01	(10PK) BUSHING FLAN .1895X.314X1/4L ROHS	
106	DPO17-3064-01	(5PK) SPRING COMP.24ODX.032WDX.375 ROHS	
107	17-3029-01	SPRING TORSION HEAD LIFT RH ROHS	
108	DPO17-3011-01	(10PK) BUSHING FLANGED ROHS	
109	DPO17-3067-01	(25PK) PLUG 5/8 HOLE ROHS	
110	DPO44-2060-01	(2PK) ASSY FERRITE ROHS	
111	---	TYWRAP 8" ROHS	
112	---	TIE TWIST LOCK ROHS	
113	---	TYWRAP 4" ROHS	
150	DPO899325	(50PK) SPACER ROHS	
151	DPO10-3152-01	(5PK) WASHER FLAT .175 IDX.626 OD X.062T	
152	DPO10-2518-01	(50PK) WASHER FLAT SS ROHS	
153	DPO10-3021-03	(25PK) RING RETAINING 5/32 CRES ROHS	
154	DPO10-3021-07	(25PK) E-RING 3/8 TRUARC CRES ROHS	
155	DPO10-3018-04	(25PK) WASHER FLAT #8 CRES ROHS	
156	DPO10-3093-01	(25PK) WASHER M3 EXT TOOTH LOCK CRES	
157	DPO10-3136-01	(5PK) WASH FLT .172ID X .75OD X .04 ROHS	
160	DPO10-3085-02	(25PK) SCREW SOC HD CAP W/ LW M4 X 8 ROHS	
162	DPO10-3085-04	(25PK) SCREW SOC HD CAP W/ LW M4 X 12 ROHS	
164	DPO10-3085-07	(25PK) SCREW SOC HD CAP W/ LW M4 X 25 ROHS	
167	DPO17-2962-01	(50PK) CLIP ARROW ROHS	
168	DPO10-3085-03	(25PK) SCREW SOC HD CAP W/ LW M4 X 10 ROHS	
169	DPO10-3092-03	(50PK) SCREW PHP M3 X 10MM CRES	
170	DPO10-3066-01	(25PK) SCREW FLAT HEAD SS M4 X 6 ROHS	
171	DPO10-3066-04	(25PK) SCREW FLAT HEAD SS M4 X 12 ROHS	
175	DPO10-3088-04	(25PK) SCREW FLATHEAD CRES M3 X 12 ROHS	
176	DPO10-3088-05	(25PK) SCREW FLATHEAD CRES M3 X 14 ROHS	
180	DPO10-3092-01	(25PK) SCREW PHP M3 X 6MM CRES	
181	DPO17-3046-01	(5PK) SPRING COMPRESSION ROHS	
182	DPO10-3096-03	(50PK) WASHER SPLIT LOCK M5 CRES ROHS	
183	DPO10-3097-01	(20PK) SCREW SOCKET HD SET M5 X 12 CRES ROHS	
184	13-2422-01	RETAINER PRINT HD CABLE ROHS	
185	DPO17-3065-01	(2PK) SPRING COMP .36ODX.035WDX.75 ROHS	
186	DPO10-3105-01	(50PK) WASHER FLAT .44 ODX .26 IDX.047THK	
187	DPO10-3085-14	(25PK) SCREW SHC W/ LK COMP M4 X 12 ROHS	
188	---	GREASE SILCONE ROHS	
189	DPO10-3066-03	(50PK) SCREW FLAT HEAD SS M4 X 10 ROHS	
190	DPO10-3019-04	(50PK) WASHER SPLIT LOCK #8 CRES ROHS	
191	DPO10-3016-02	(50PK) NUT HEX M4 SS ROHS	
192	DPO10-3085-24	(5PK) SCRW SHC W/ VIBRA-TITE M4 X 12 ROHS	
200	DPO78-2802-01	CCA MAIN W/LAN ROHS	

Lower Pinch Roller Assembly (15-2974-01)



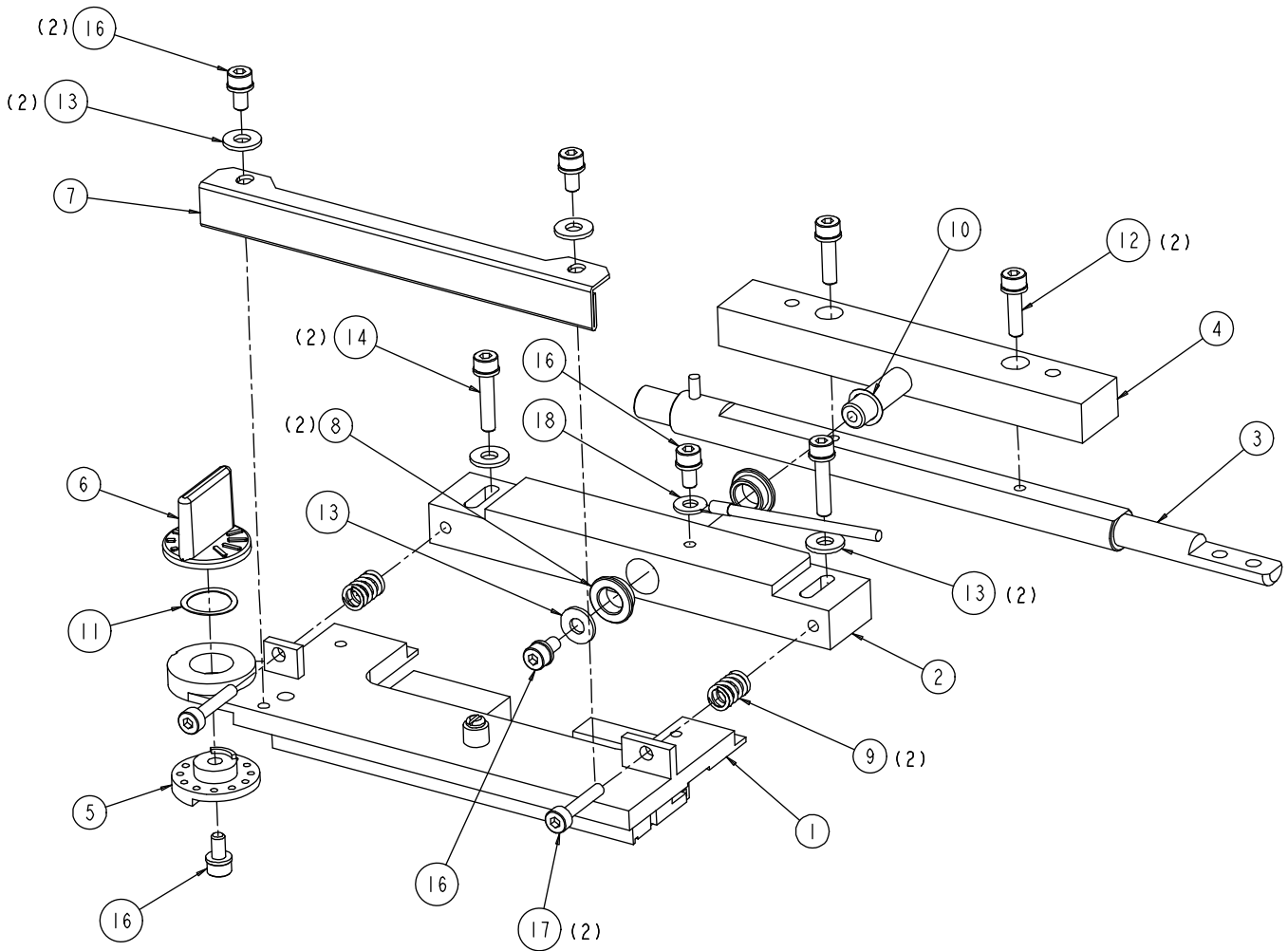
Item	Part Number	Description	Notes
1	15-3183-01	ASSY 4" PINCH ROLLER FRAME ROHS	
2	11-5256-01	SPRING FLAT ROHS	
3	11-5599-01	SCREW PLATE 4" ROHS	
4	12-3295-01	ROLLER PINCH 4" ROHS	
5	12-2574-01	HINGE SHAFT ROHS	
8	DPO10-3021-05	(20PK) E-RING 1/4 TRUARC CRES	
9	DPO10-3088-07	(25PK) SCREW FLATHEAD CRES M3 X 5	
10	17-2856-01	BEARING BALL FL .0937 X .3125 ROHS	
11	---	LOCTITE 242 ROHS	

Latch Assembly (15-2975-01)



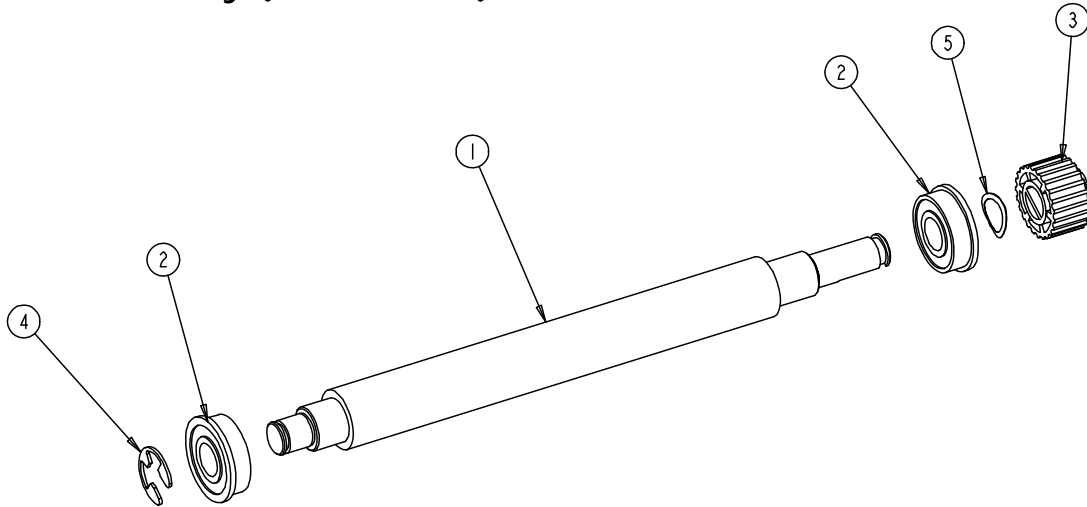
Item	Part Number	Description	Notes
1	11-5578-01	LATCH 4" ROHS	
2	12-3280-01	SHAFT LATCH PIVOT ROHS	
3	DPO10-3088-01	(25PK) SCREW FLATHEAD CRES M3 X 6 ROHS	

Printhead Assembly (15-2977-01)



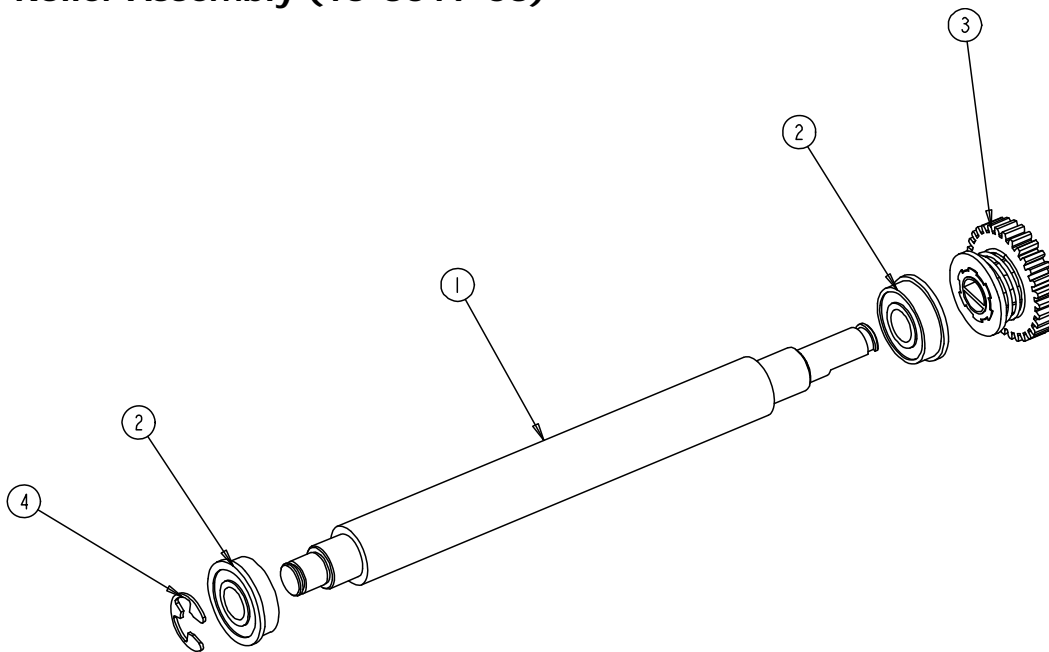
Item	Part Number	Description	Notes
1	15-3102-01	ASSY 4" RH PRINthead MOUNT ROHS	
2	12-3267-03	PIVOT 4" PRINthead ROHS	
3	12-3233-03	SHAFT PRINthead MOUNT ROHS	
4	12-3266-01	PLATE PRINthead ADAPTER ROHS	
5	DPO16-2906-01	(2PK) CAM NARROW MEDIA ROHS	
6	16-2907-01	KNOB NARROW MEDIA ROHS	
7	11-5552-01	SHIELD RIBBON ROHS	
8	DPO899349	(10PK) BEARING - FLANGED .312 ROHS	
9	DPO17-3061-01	(2PK) SPRING COMP.30ODX.045WDX.44LG ROHS	
10	DPO10-3084-01	(10PK) WASHER WAVE .312 ID CRES	
11	DPO10-3084-02	(10PK) WASHER WAVE .505 ID CRES	
12	DPO10-3085-05	(25PK) SCRW SH CAP W/ LW M4 X 16 ROHS	
13	DPO10-3018-04	(25PK) WASHER FLAT #8 CRES	
14	DPO10-3085-06	(25PK) SCREW SOC HD CAP W/ LW M4 X 20	
16	DPO10-3085-02	(25PK) SCREW SOC HD CAP W/ LW M4 X 8	
17	DPO10-3015-43	(10PK) SCREW SHC M4X20 CRES W/LKG COMP	
18	32-2528-01	GROUND STRAP ROHS	

Peel Roller Assembly (15-3019-02)



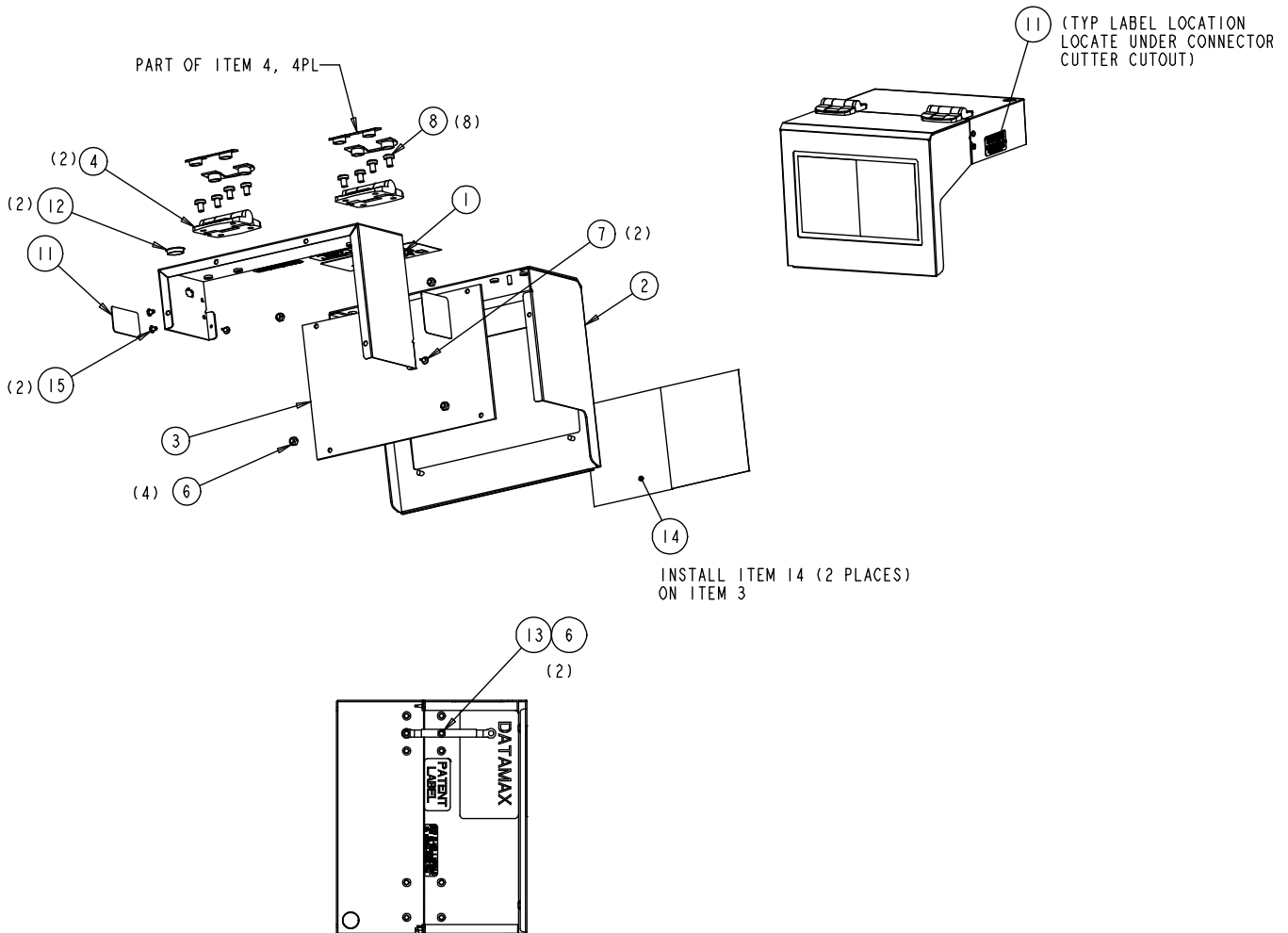
Item	Part Number	Description	Notes
1	13-2405-01	ROLLER PLATEN 4" ROHS	
2	17-3028-01	BEARING FLANGED 440C 3/8X7/8 ROHS	
3	DPO16-2904-01	(2PK) PULLEY TIMING 22 TEETH ROHS	
4	DPO10-3021-07	(25PK) E-RING 3/8 TRUARC CRES	
5	DPO10-3084-03	(5PK) WASHER WAVE .378 ID CRES ROHS	

Take-up Roller Assembly (15-3019-03)



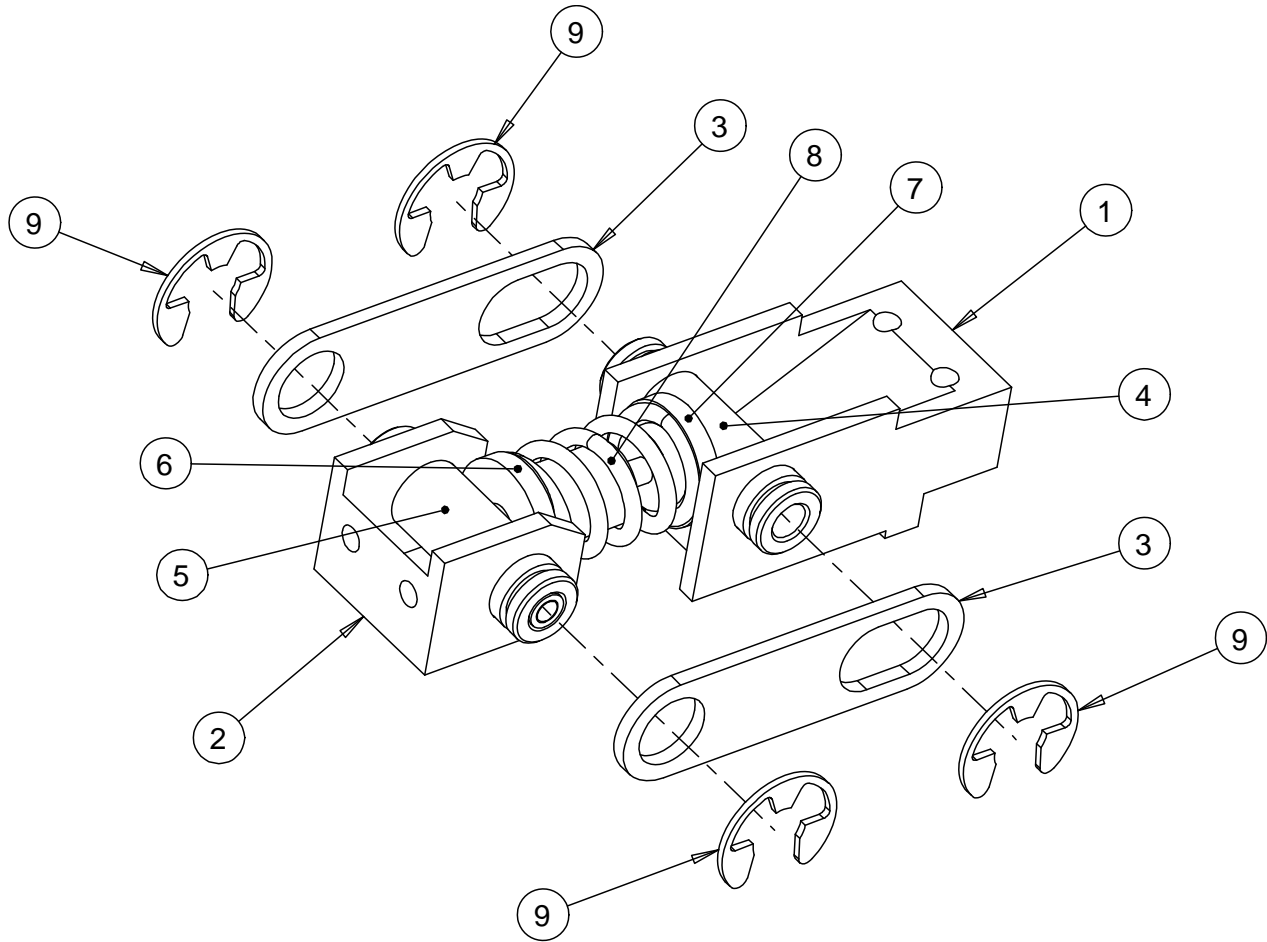
Item	Part Number	Description	Notes
1	13-2405-01	ROLLER PLATEN 4" ROHS	
2	17-3028-01	BEARING FLANGED 440C 3/8X7/8 ROHS	
3	15-3020-01	CLUTCH RIBBON TAKE-UP ROHS	
4	DPO10-3021-07	(25PK) E-RING 3/8 TRUARC CRES ROHS	

Cover Assembly (15-3021-01)



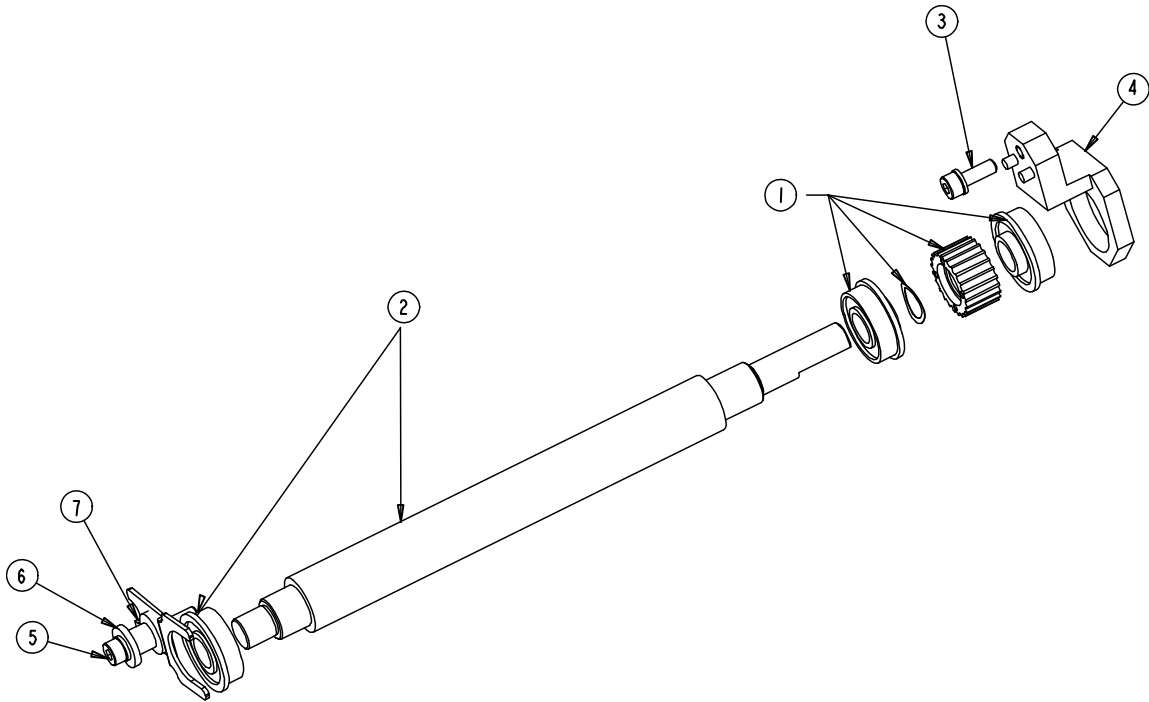
Item	Part Number	Description	Notes
1	11-5533-01	COVER INNER 4" RH ROHS	
2	11-5534-01	COVER OUTER RH ROHS	
3	16-2887-01	WINDOW ROHS	
4	17-3036-01	HINGE ROHS	
6	DPO10-3091-01	(50PK) NUT HEX SELF-LOCKING M4 CRES ROHS	
7	DPO13-2392-01	(10PK) BUMPER PULL THRU ROHS	
8	DPO10-3090-01	(50PK) SCREW PANHEAD M5 X 8 CRES ROHS	
11	14-2835-01	LABEL WARNING ROHS	
12	DPO17-3067-01	(25PK) PLUG 5/8 HOLE ROHS	
13	32-2553-01	GROUND CABLE A-CLASS COVER ROHS	
14	---	TAPE PROTECTIVE ROHS	
15	DPO17-3174-01	(10PK) RIVET NYLON SNAP .135" DIA	
---	78-2831-01	SENSOR OPEN COVER A-CLASS MKII	Not shown

Printhead Pressure Assembly (15-3186-01)



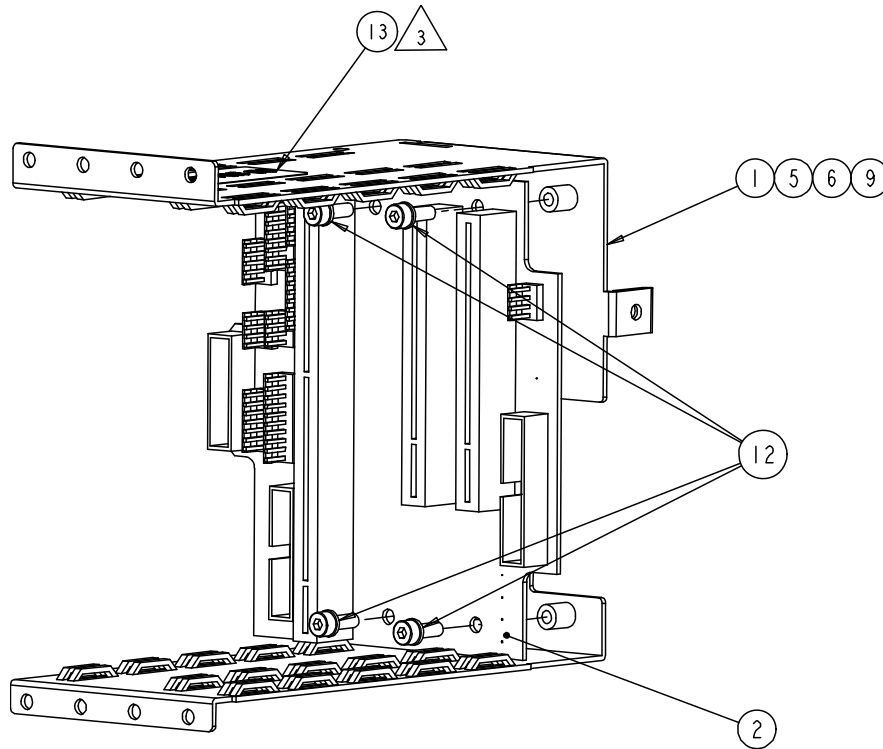
Item	Part Number	Description	Notes
1	12-3229-01	BRACKET PRESSURE LOWER ROHS	
2	12-3485-01	BRACKET PRESSURE UPPER	
3	11-5537-01	RETAINER PRINTHEAD PRESSURE ROHS	
4	12-3486-01	SHAFT PRINTHEAD PRESSURE	
5	15-3187-01	ASSY PIVOT PIN	
6	12-3353-01	SLIDE UPPER ROHS	
7	12-3354-01	SLIDE LOWER ROHS	
8	17-3160-01	SPRING COMPRESSION	
9	DPO10-3021-07	(25PK) E-RING 3/8 TRUARC CRES ROHS	

Platen Roller Removable (15-3215-01)



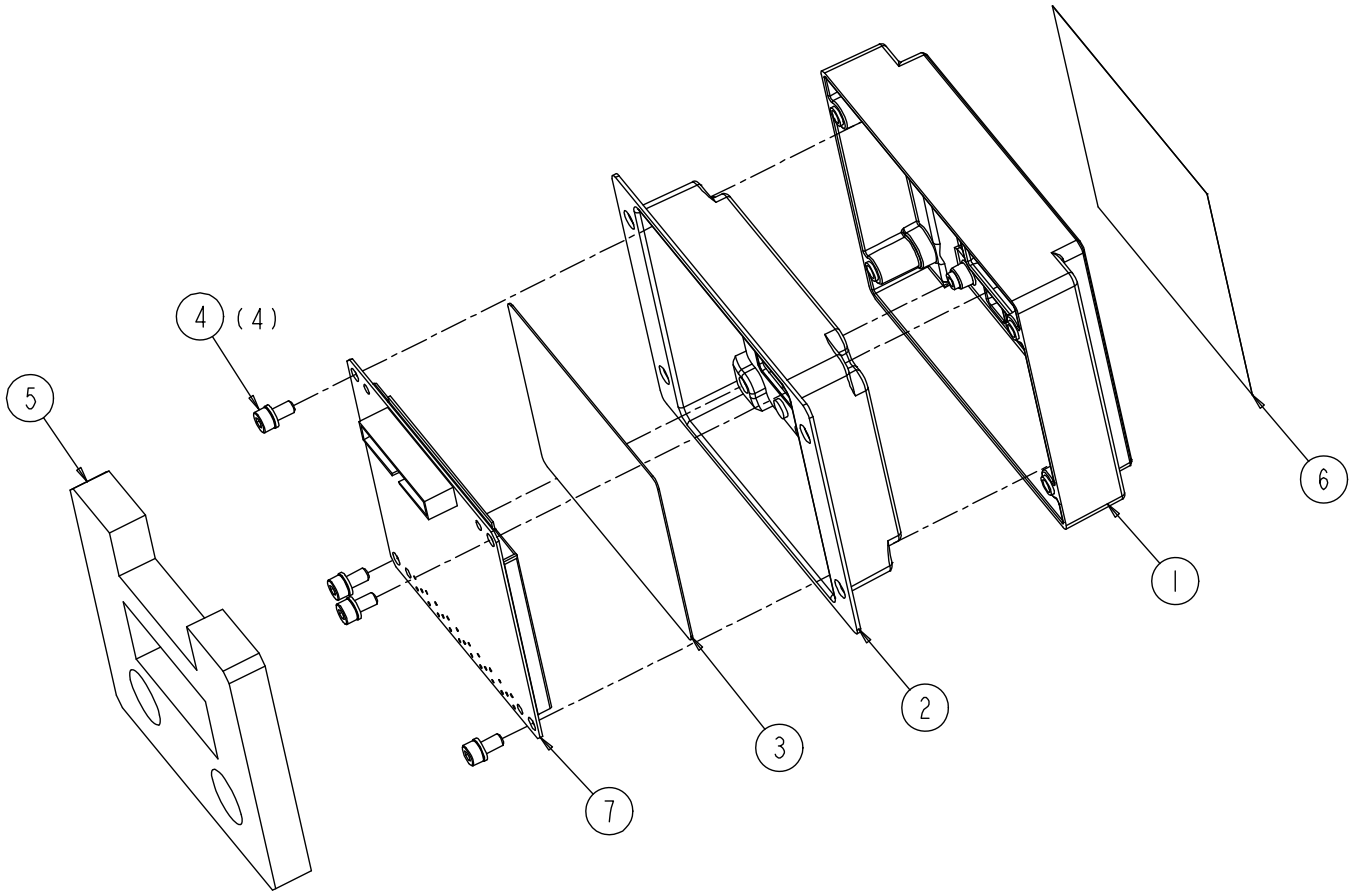
Item	Part Number	Description	Notes
1	15-3218-01	G2 PLATEN PULLEY ASSY	
2	15-3219-01	G2 REMOVABLE PLATEN ROLLER & OUTER BEARING 4"	
3	DPO10-3085-14	(25PK) SCRW SHC W/ LK COMP M4 X 12	
4	12-3491-01	G2 BLOCK BEARING MTG	
5	DPO10-3085-07	(25PK) SCRW SH CAP W/ LW M4 X 25 ROHS	
6	12-3501-01	G2 POST LATCH	
7	11-5783-01	G2 BRACKET BEARING RETAINER	

Card Cage Assembly (24-2685-XX)



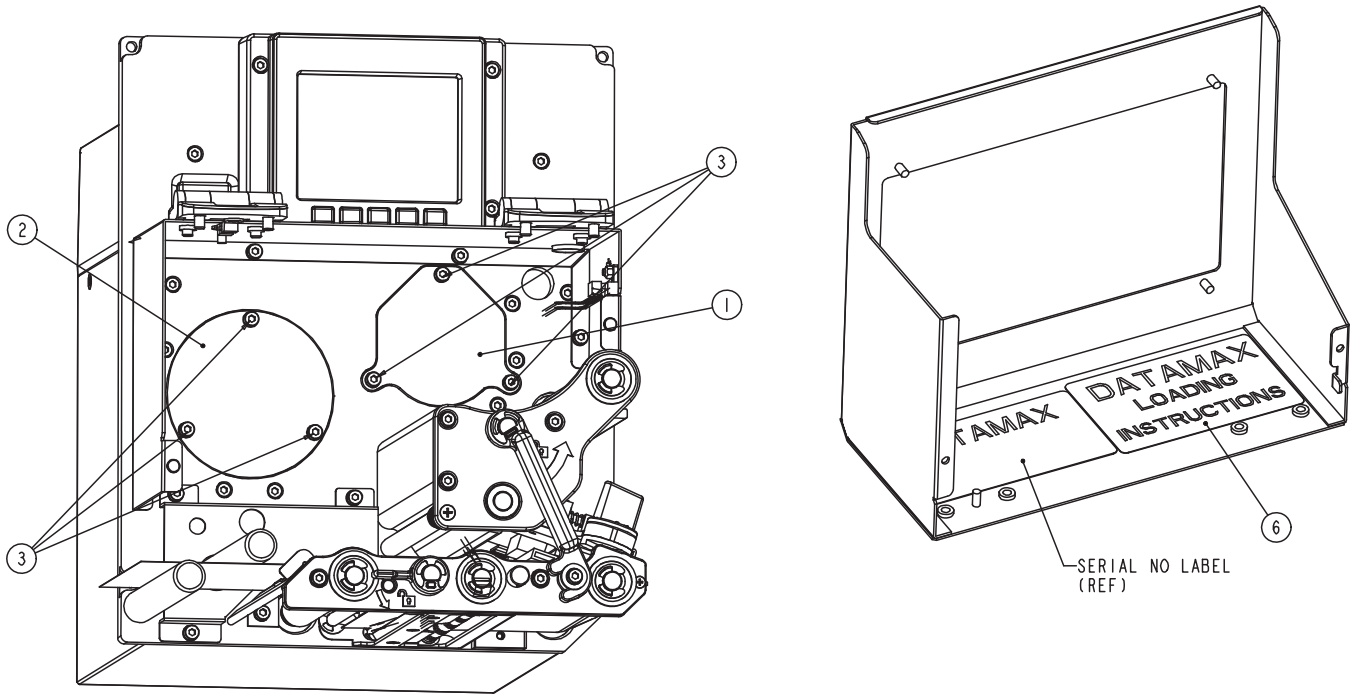
Item	Part Number	Description	Notes
1	11-5682-02	CARD CAGE ROHS	
2	---	A-CLASS G2 BACKPLANE REMOTE READY	Available as part of whole assembly 24-2685-02
	---	A-CLASS G2 BACKPLANE NON REM. RDY.	Available as part of whole assembly 24-2685-01
5	32-2530-01	CABLE ASSY BACK PLANE PWR ROHS	Not shown
6	32-2531-01	CABLE ASSY MOTOR CONTROL ROHS	Not shown
9	32-2540-01	CABLE ASSY. GRAPHICS DISPLAY ROHS	Not shown
	32-2646-01	CABLE ASSY GRAPHICS & REMOTE DISPLAY ROHS	Not shown
12	DPO10-3085-04	(25PK) SCREW SOC HD CAP W/ LW M4 X 12 ROHS	
13	---	LABEL CARD CAGE UL ROHS	
---	DPO10-2626-01	REMOTE READY DISPLAY ONLY – (50PK) SCRW JACK .19 X .19L 4-40THD ROHS	Quantity 2, not shown
---	DPO140028	REMOTE READY DISPLAY ONLY – (50PK) NUT HEX 4-40 W/ TOOTH KEPS ROHS	Quantity 2, not shown

Display Assembly (24-2691-01)



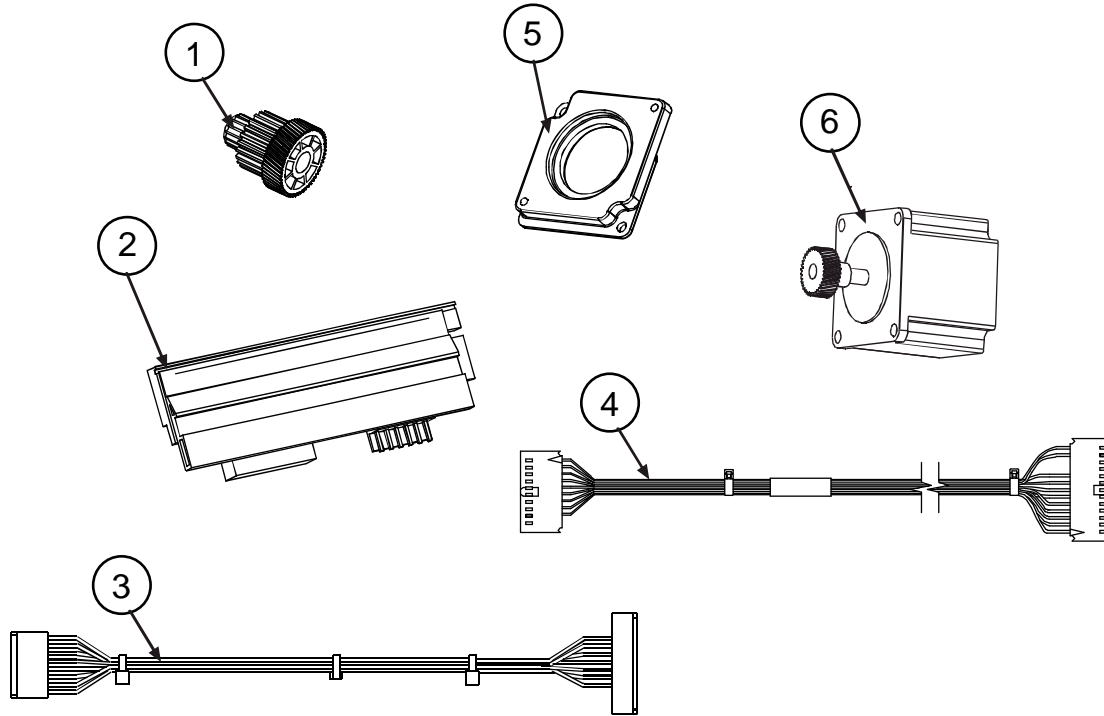
Item	Part Number	Description	Notes
1	12-3270-01	BEZEL DISPLAY ROHS	
2	16-2916-01	KEYPAD 5 BUTTON ROHS	
3	16-2961-01	COVER LCD ROHS	
4	DPO10-3085-02	(25PK) SCRW SH CAP W/ LW M4 X 8 ROHS	
5	DPO13-2425-01	(5PK) FILLER CONTROL PANEL BOOT ROHS	
6	---	TAPE PROTECTIVE ROHS	
7	45-2028-01	A-CLASS G2 DISPLAY 320X240 ALIKEH	

Direct Thermal (78-2474-01)



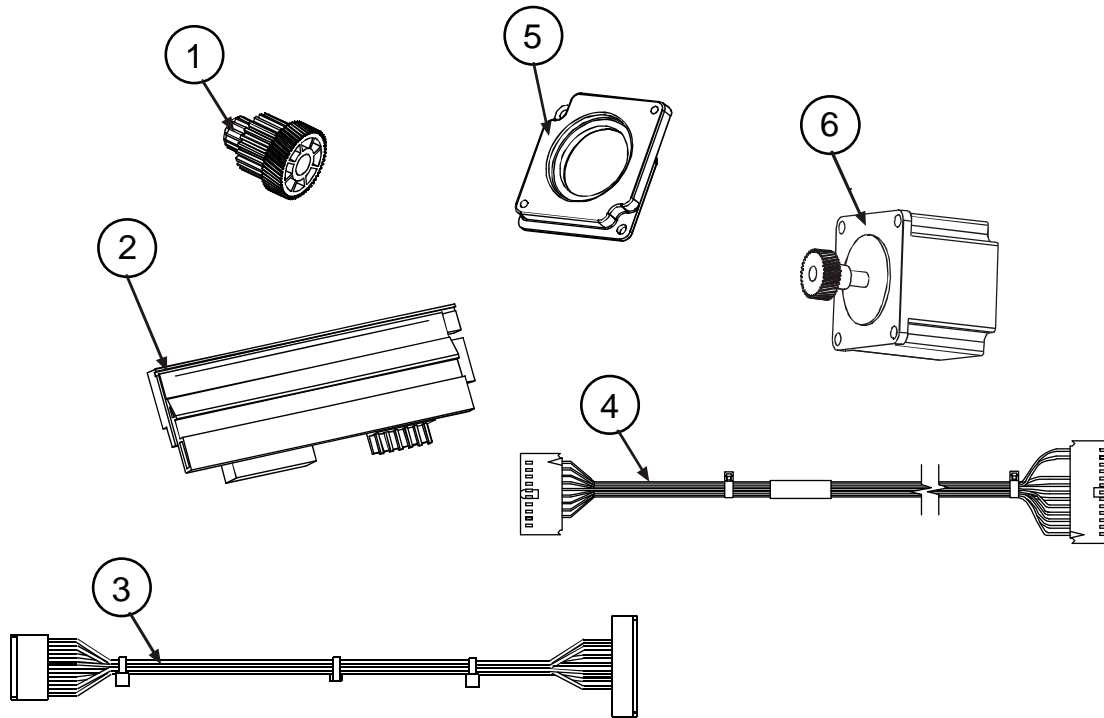
Item	Part Number	Description	Notes
1	11-5584-01	COVER RIBBON TAKE-UP ROHS	
2	11-5585-01	COVER RIBBON SUPPLY ROHS	
3	DPO10-3085-02	(25PK) SCREW SOC HD CAP W/ LW M4 X 8 ROHS	
6	14-2872-03	LABEL LINERLESS LOADING DT ROHS	

Printhead / Pulley Kit, 203 DPI



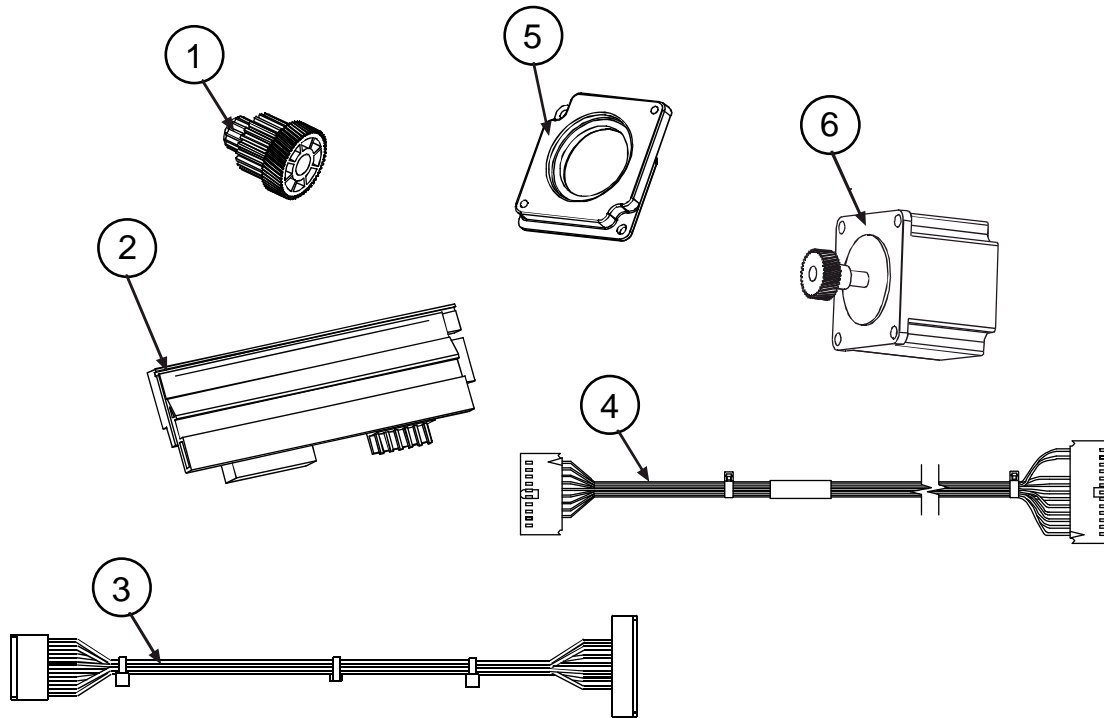
Item	Part Number	Description	Notes
1	15-3117-01	PULLEY COMPOUND 203DPI, ROHS	
2	PHD20-2240-01	PRINthead 203DPI, 4" SMART, ROHS	
3	32-2532-01	CABLE ASSY 4" PRINthead PWR, ROHS	
4	32-2590-02	ASSY, CBL PRINthead DATA 4", ROHS	
5	12-3384-01	SPACER MOTOR MOUNTING RH, ROHS	
6	24-2543-03	STEPPER MOTOR ASSEMBLY, ROHS	
---	DPO10-3085-04	(25PK) SCRW, SH CAP W/LW, M4 X 12, ROHS	Quantity 4, not shown

Printhead / Pulley Kit, 300 DPI



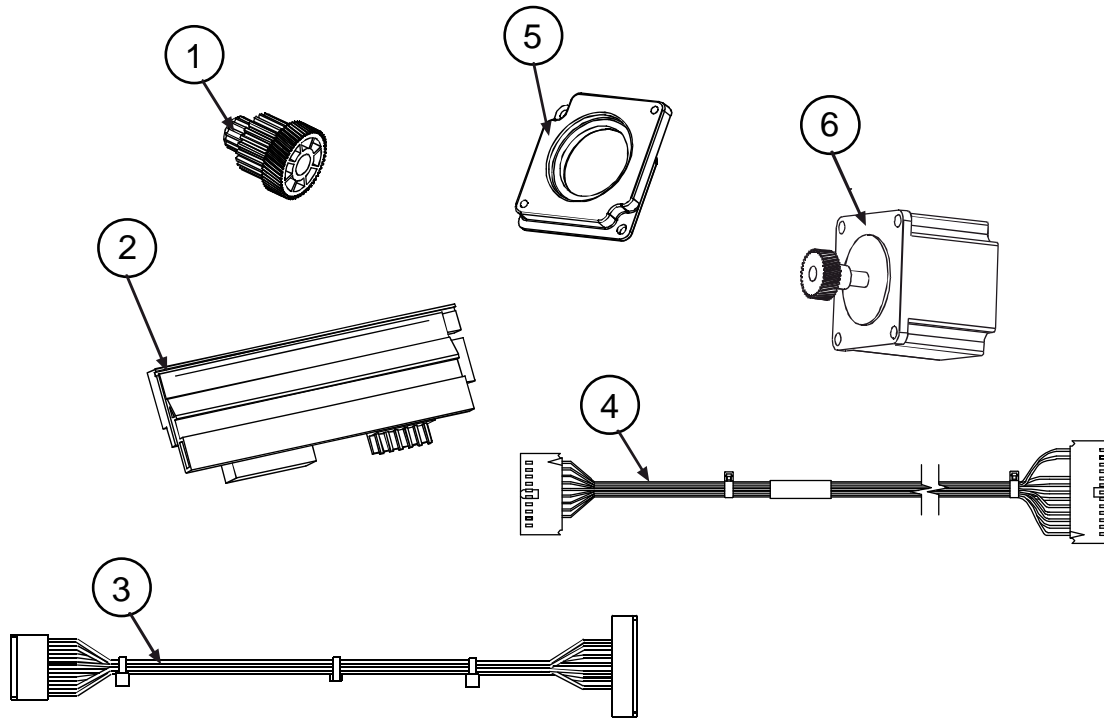
Item	Part Number	Description	Notes
1	15-3118-01	GEAR COMPOUND 300DPI, ROHS	
2	PHD20-2241-01	PRINthead 300DPI, 4" SMART, ROHS	
3	32-2532-01	CABLE ASSY 4" PRINthead PWR, ROHS	
4	32-2590-02	ASSY, CBL PRINthead DATA 4", ROHS	
5	12-3370-01	SPACER MOTOR MOUNTING, ROHS	
6	24-2543-02	STEPPER MOTOR ASSEMBLY, ROHS	
---	DPO10-3085-06	(25PK) SCRw, SH CAP W/LW, M4 X 20, ROHS	Quantity 2, not shown

Printhead / Pulley Kit, 406 DPI



Item	Part Number	Description	Notes
1	15-3117-01	PULLEY COMPOUND 203DPI	
2	PHD20-2242-01	PRINthead 400DPI, 4" SMART, ROHS	
3	32-2532-01	CABLE ASSY 4" PRINthead PWR, ROHS	
4	32-2590-02	ASSY, CBL PRINthead DATA 4", ROHS	
5	12-3384-01	SPACER MOTOR MOUNTING, ROHS	
6	24-2543-03	STEPPER MOTOR ASSEMBLY, ROHS	
---	DPO10-3085-04	(25PK) SCRw, SH CAP W/LW, M4 X 12, ROHS	Quantity 4, not shown

Printhead / Pulley Kit, 600 DPI



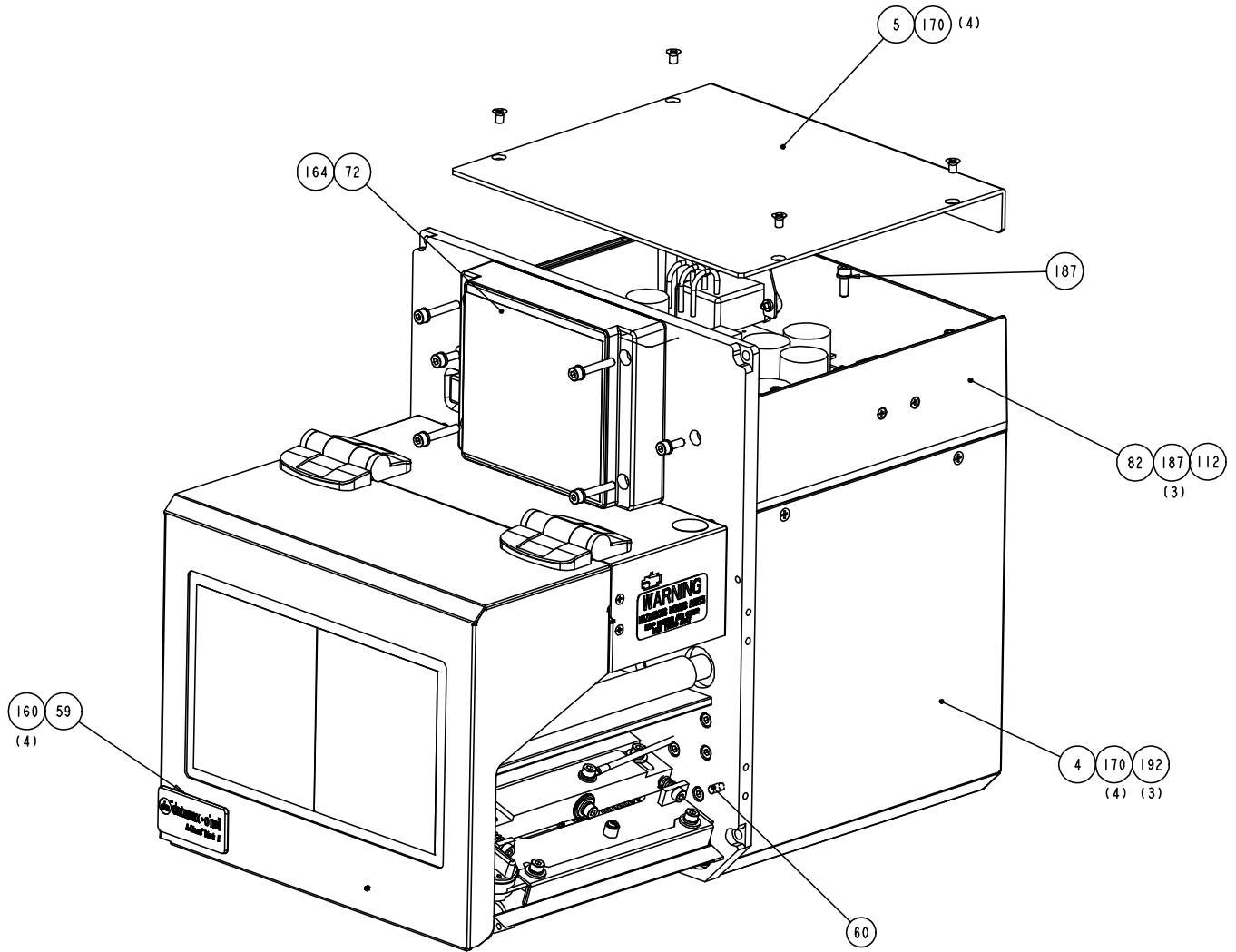
Item	Part Number	Description	Notes
1	15-3118-01	GEAR COMPOUND 300DPI, ROHS	
2	PHD20-2243-01	PRINTHEAD 600DPI, 4" SMART, ROHS	
3	32-2532-01	CABLE ASSY 4" PRINTHEAD PWR, ROHS	
4	32-2590-02	ASSY, CBL PRINTHEAD DATA 4", ROHS	
5	12-3370-01	SPACER MOTOR MOUNTING, ROHS	
6	24-2543-02	STEPPER MOTOR ASSEMBLY, ROHS	
---	DPO10-3085-06	(25PK) SCRW, SH CAP W/LW, M4 X 20, ROHS	Quantity 2, not shown

Six-Inch Right Hand Printer Assemblies:

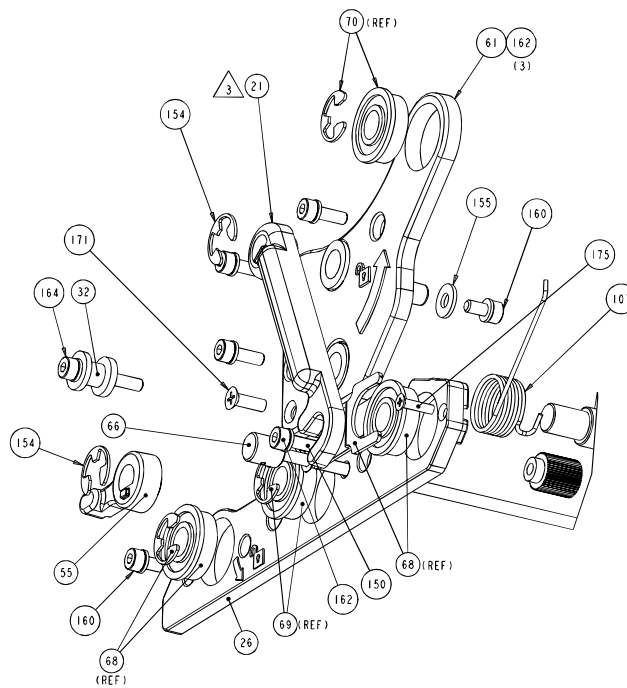
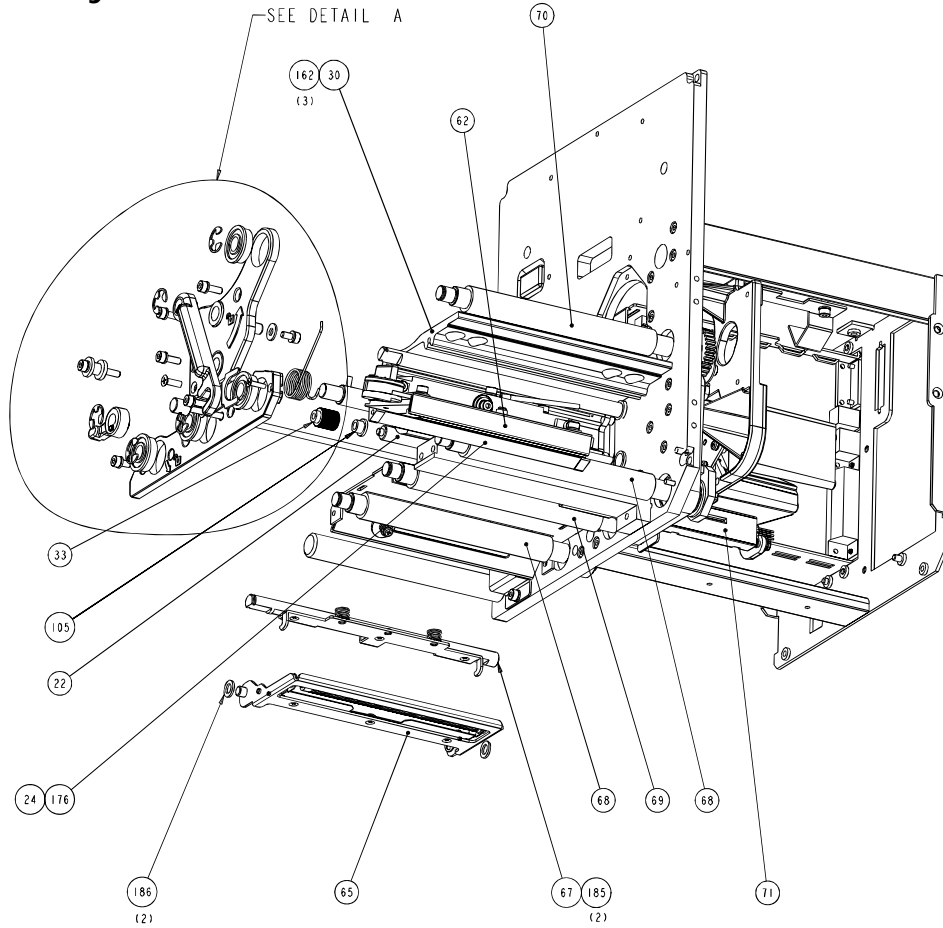
A-6212 Mark II

A-6310 Mark II

Printer Assembly 1 of 6

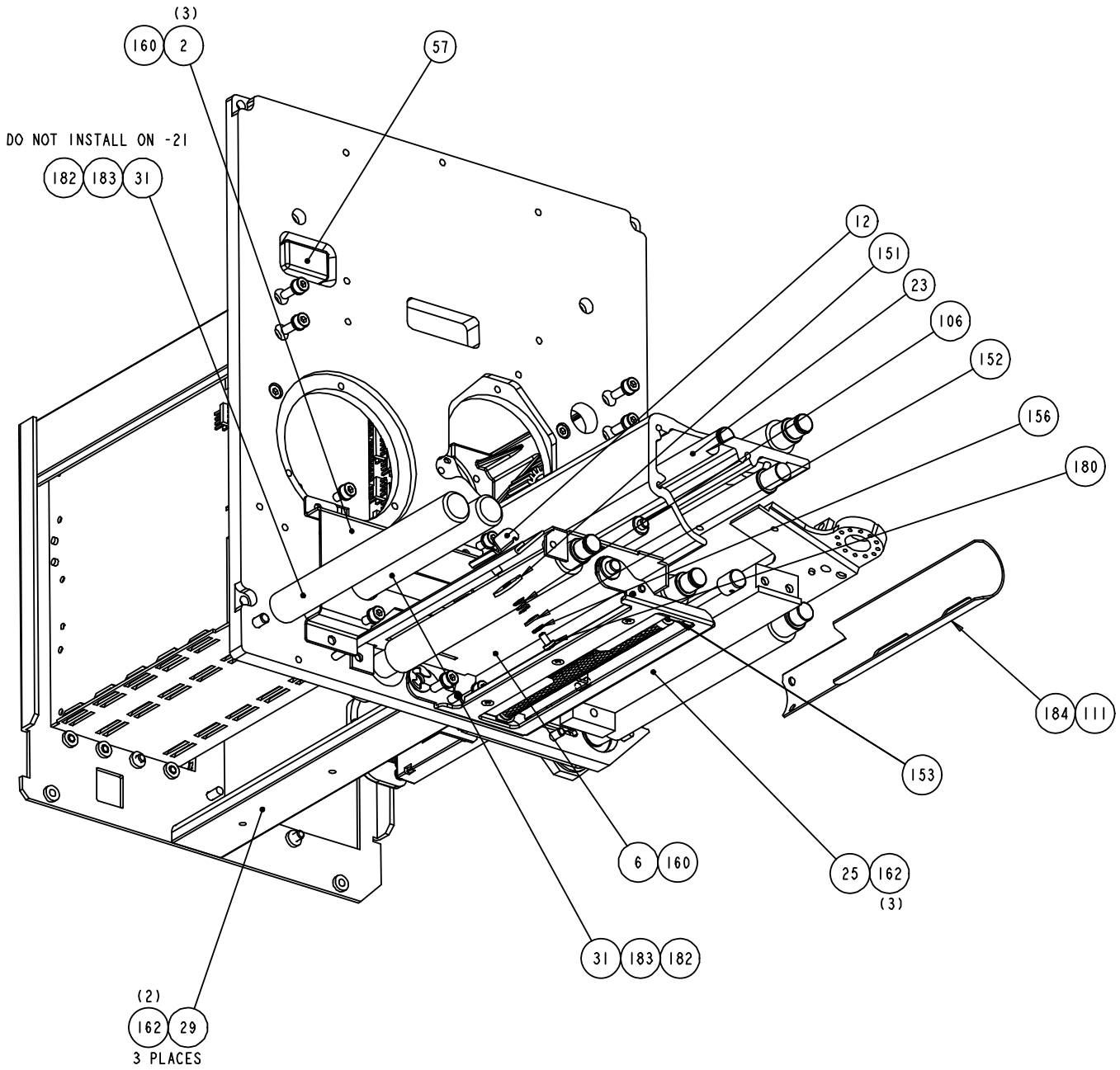


Printer Assembly 2 of 6

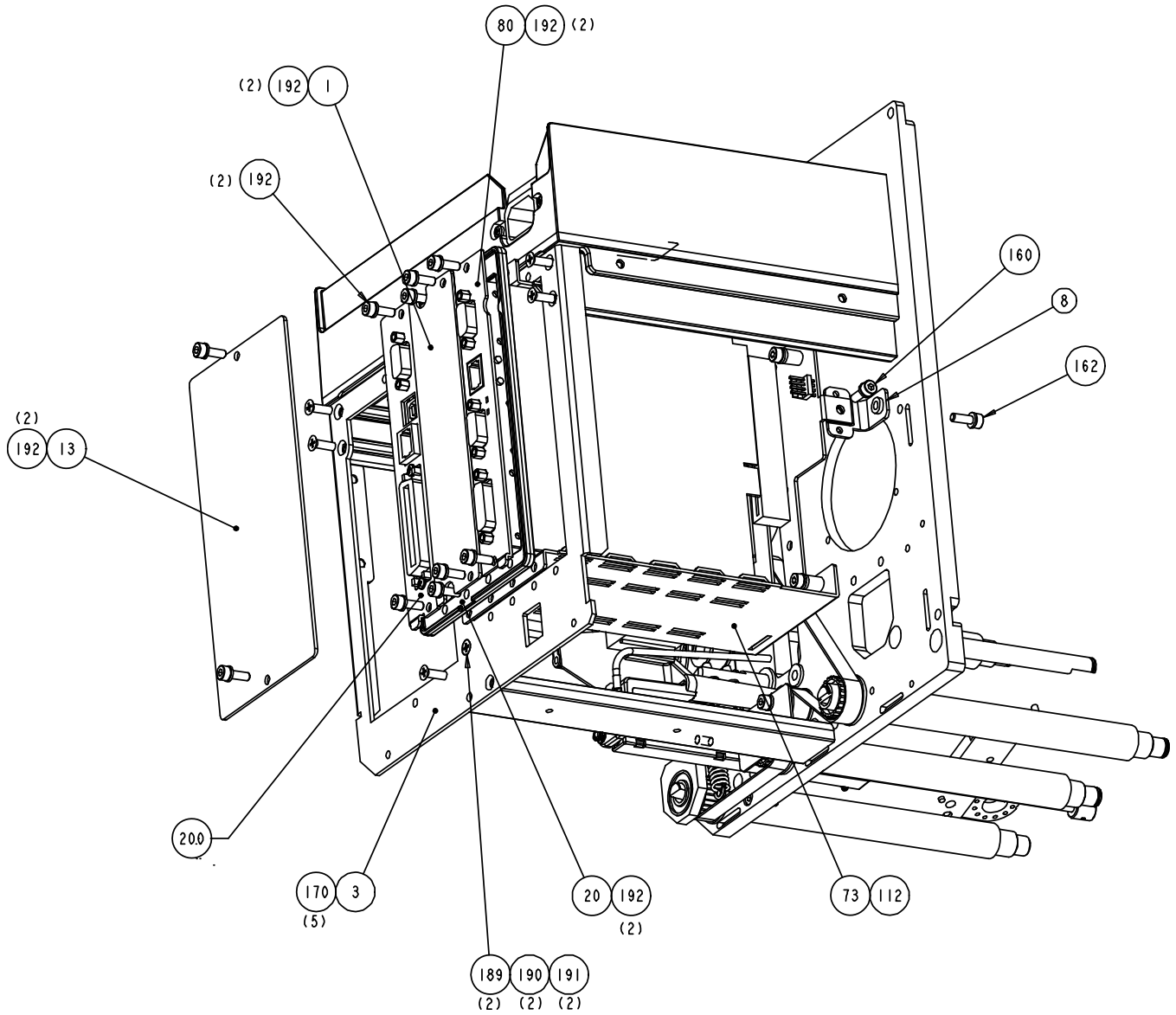


DETAIL A
SCALE 1.500

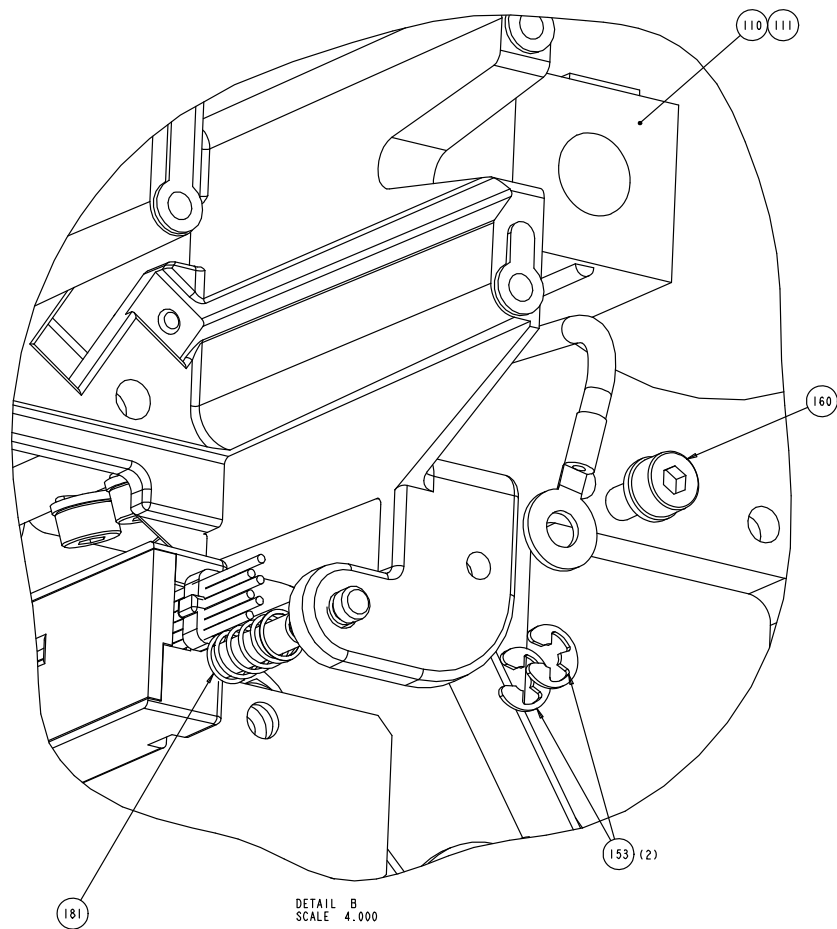
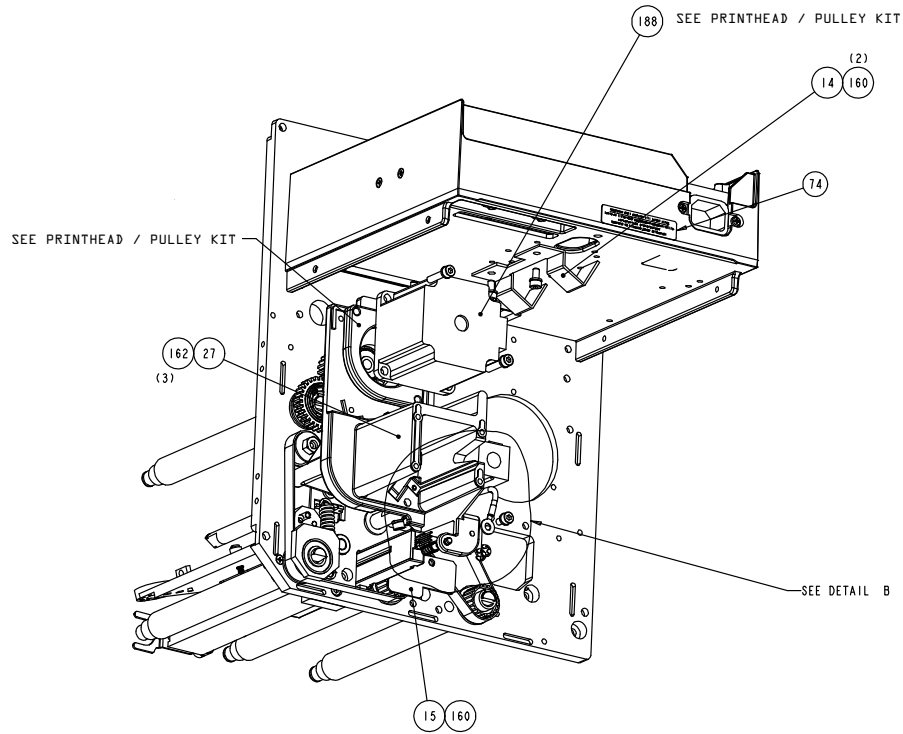
Printer Assembly 3 of 6



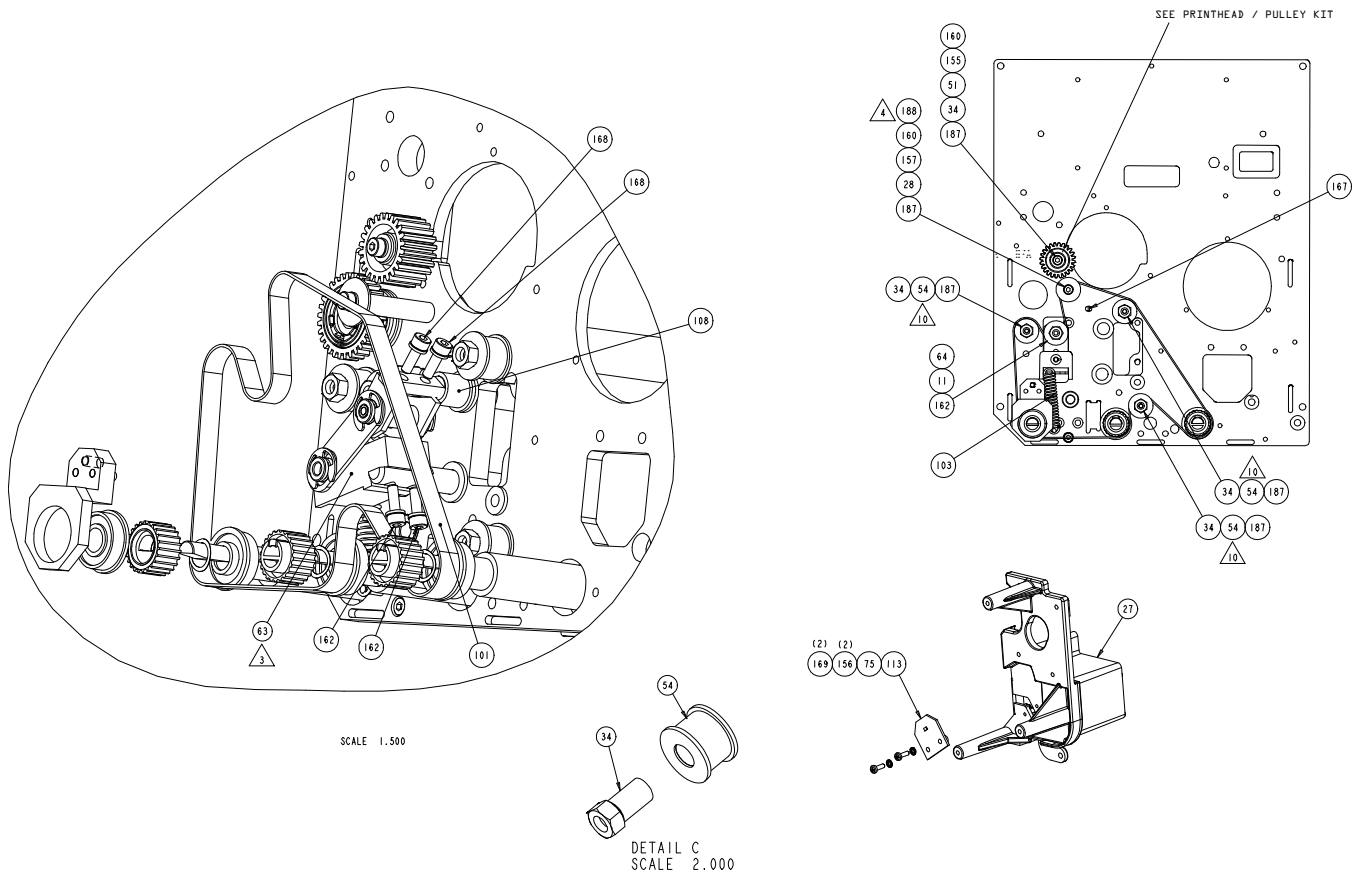
Printer Assembly 4 of 6



Printer Assembly 5 of 6



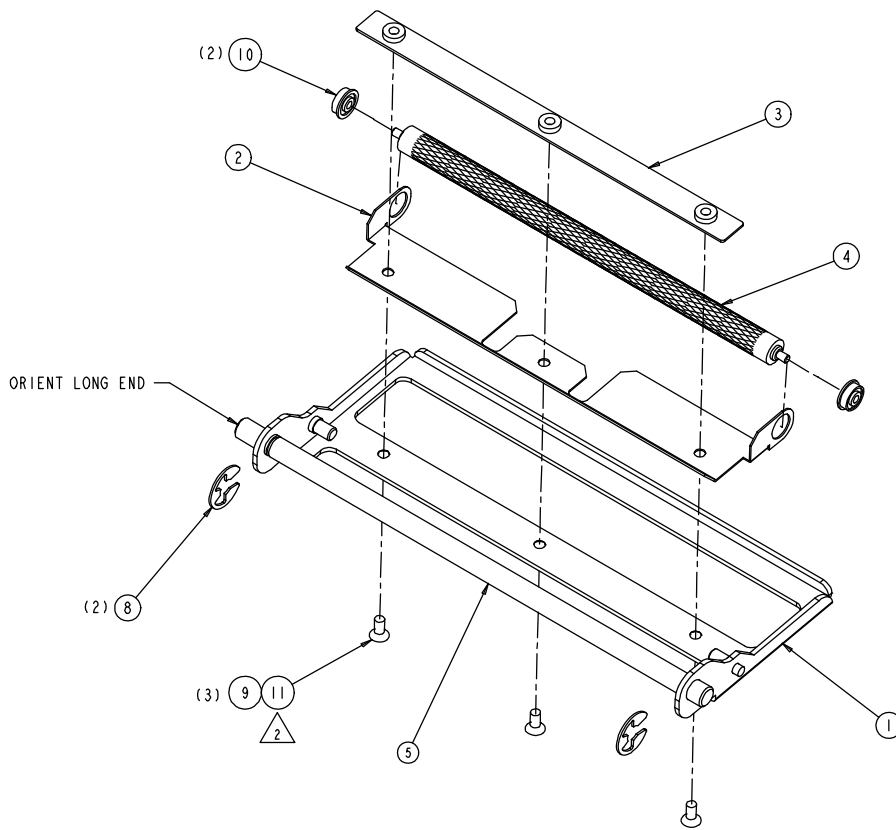
Printer Assembly 6 of 6



Item	Part Number	Description	Notes
1	11-5279-01	PLATE COVER EXPANSION ROHS	
	11-5771-01	PLATE REAR WIRELESS ONLY	See option
2	11-5790-01	G2 GUIDE MEDIA RH W/PINCH ROLLER	
3	11-5780-01	G2 PLATE REAR MEMORY CARD RH	
4	11-5786-01	G2 COVER REAR W/O MEMORY CARD RH	
	11-5779-01	G2 COVER REAR WITH MEMORY CARD RH	
5	11-5531-01	COVER TOP ROHS	
6	11-5791-02	G2 PLATE LOWR 6" RH W/PINCH ROL PIN	
8	11-5577-01	SUPPORT CARD CAGE ROHS	
11	11-5570-01	PLATE NUT ROHS	
12	11-5536-01	GUIDE MEDIA ADJUSTABLE RH ROHS	
13	11-5427-01	PLATE COVER ROHS	
	11-5785-01	G2 PLATE COVER REMOTE DISPLAY	See assembly details
14	11-5602-01	BRACKET RETAINER CABLE ROHS	
15	11-5603-01	COVER CABLE ROHS	
20	12-3342-01	PLATE MOUNTING CARD CAGE ROHS	
21	12-3255-01	HANDLE LATCH RH ROHS	
22	12-3052-03	SHAFT RIBBON IDLER ROHS	
23	12-3217-02	SHAFT LATCH PRINTHEAD 6" ROHS	
24	12-3488-02	BAR PEEL 6" ROHS	
25	12-3244-02	BLOCK SUPPORT PLATEN 6" ROHS	
26	12-3214-01	PLATE SIDE LOWER RH ROHS	
	12-3498-01	G2 PLATE SIDE LWR RH WITH PINCH ROLLER	
27	12-3286-01	BRACKET SUPPORT MOTOR RH ROHS	
28	12-3432-01	POST IDLER ROHS	
29	12-3221-01	BLOCK SUPPORT REAR ROHS	
30	12-3215-02	SUPPORT CENTER ROHS	
31	12-3254-02	POST MEDIA 6" ROHS	
32	12-3221-02	G2 BLOCK SUPPORT REAR W/MEMRY CARD	
33	DPO12-3051-01	(5PK) CAM IDLER RIBBON ROHS	
34	12-3219-01	POST ILDER ROHS	
51	DPO16-2935-01	(2PK) GEAR IDLER ROHS	
54	15-3119-01	PULLEY ASSEMBLY ROHS	
55	16-2924-02	HANDLE LATCH ROHS	
57	DPO16-2950-01	(5PK) COVER SWITCH - PROTECTIVE ROHS	
59	15-3021-02	COVER ASSEMBLY 6" RH ROHS	
60	15-3220-01	G2 CENTERPLATE ASSEMBLY RH	
61	15-3015-01	UPPER SIDE PLATE ASSY RH ROHS	
62	15-2977-02	ASSY 6" RH PRINTHEAD ROHS	See assembly details
63	15-3186-02	PH PRESS ASSY 6" RH ROHS	See assembly details
64	15-2970-01	TENSION ASSY ROHS	
65	15-2974-02	LOWER PINCH ROLLER ASSY 6" RH ROHS	See assembly details
66	15-2976-02	ASSY THREADED ROD ROHS	
67	15-2975-02	RH 6" LATCH ASSEMBLY ROHS	See assembly details
68	15-3215-02	G2 RH REMOVABLE PLATEN ROLLER ASSY 6"	See assembly details
69	15-3019-12	PLATEN ROLLER ASSY 6" PEEL ROHS	See assembly details
70	15-3019-13	PLATEN ROLLER ASSY 6" TAKE-UP ROHS	See assembly details
71	DPO24-2604-01	(2PK) MEDIA SENSOR ASSEMBLY ROHS	
72	24-2691-01	G2 DISPLAY ASSEMBLY ROHS	See assembly details

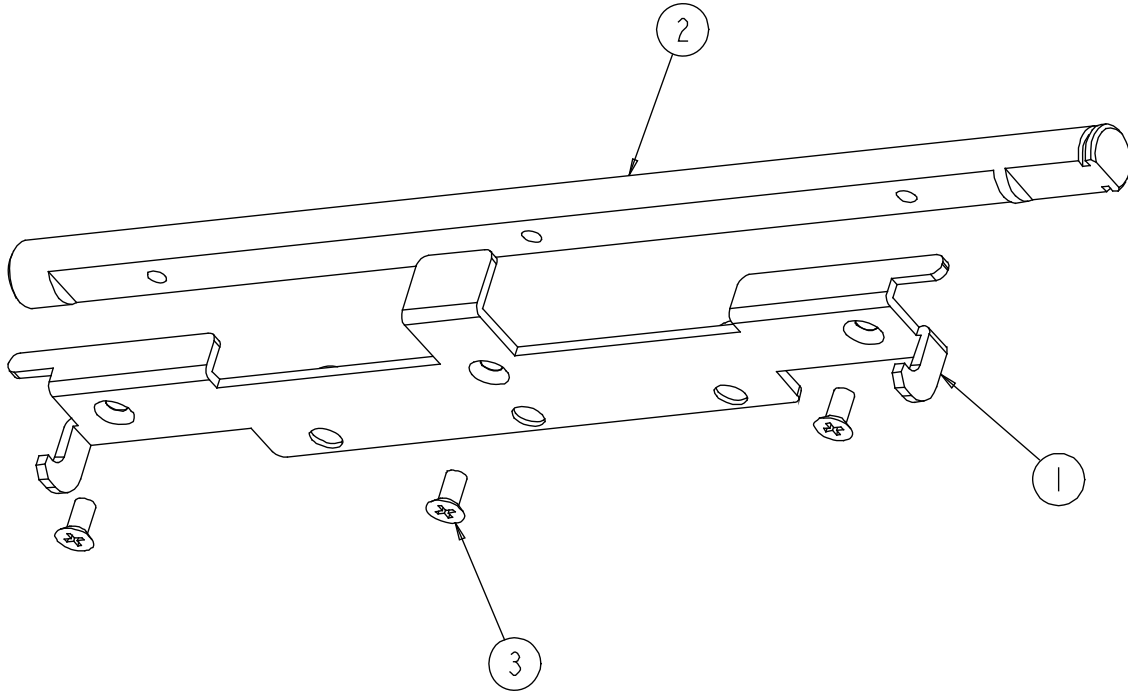
Item	Part Number	Description	Notes
73	24-2685-01	G2 CARD CAGE ASSY NON-REMOTE	See assembly details
	24-2685-02	G2 CARD CAGE ASSY REMOTE READY	See assembly details
80	DPO51-2404-10	(1/PK) CCA,APPLICATOR	
82	24-2617-01	POWER SUPPLY ASSEMBLY ROHS	
101	17-2987-01	BELT TIMING 184 T 3MM HTD ROHS	
103	17-3094-01	SPRING EXTENSION ROHS	
105	DPO17-2816-01	(10PK) BUSHING FLAN .1895X.314X1/4L ROHS	
106	DPO17-3064-01	(5PK) SPRING COMP.24ODX.032WDX.375 ROHS	
107	17-3078-01	SPRING TORSION RH 6" ROHS	
108	DPO17-3011-01	(10PK) BUSHING FLANGED ROHS	
109	DPO17-3067-01	(25PK) PLUG 5/8 HOLE ROHS	
110	DPO44-2060-01	(2PK) ASSY FERRITE ROHS	
111	---	TYWRAP 8" ROHS	
112	---	TIE TWIST LOCK ROHS	
113	---	TYWRAP 4" ROHS	
150	DPO899325	(50PK) SPACER ROHS	
151	DPO10-3152-01	(5PK) WASHER FLAT .175 IDX.626 OD X.062T	
152	DPO10-2518-01	(50PK) WASHER FLAT SS ROHS	
153	DPO10-3021-03	(25PK) RING RETAINING 5/32 CRES ROHS	
154	DPO10-3021-07	(25PK) E-RING 3/8 TRUARC CRES ROHS	
155	DPO10-3018-04	(25PK) WASHER FLAT #8 CRES ROHS	
156	DPO10-3093-01	(25PK) WASHER M3 EXT TOOTH LOCK CRES	
157	DPO10-3136-01	(5PK) WASH FLT .172ID X .75OD X .04 ROHS	
160	DPO10-3085-02	(25PK) SCREW SOC HD CAP W/ LW M4 X 8 ROHS	
162	DPO10-3085-04	(25PK) SCREW SOC HD CAP W/ LW M4 X 12 ROHS	
164	DPO10-3085-07	(25PK) SCREW SOC HD CAP W/ LW M4 X 25 ROHS	
167	DPO17-2962-01	(50PK) CLIP ARROW ROHS	
168	DPO10-3085-03	(25PK) SCREW SOC HD CAP W/ LW M4 X 10 ROHS	
169	DPO10-3092-03	(50PK) SCREW PHP M3 X 10MM CRES	
170	DPO10-3066-01	(25PK) SCREW FLAT HEAD SS M4 X 6 ROHS	
171	DPO10-3066-04	(25PK) SCREW FLAT HEAD SS M4 X 12 ROHS	
175	DPO10-3088-04	(25PK) SCREW FLATHEAD CRES M3 X 12 ROHS	
176	DPO10-3088-05	(25PK) SCREW FLATHEAD CRES M3 X 14 ROHS	
180	DPO10-3092-01	(25PK) SCREW PHP M3 X 6MM CRES	
181	DPO17-3046-01	(5PK) SPRING COMPRESSION ROHS	
182	DPO10-3096-03	(50PK) WASHER SPLIT LOCK M5 CRES ROHS	
183	DPO10-3097-01	(20PK) SCREW SOCKET HD SET M5 X 12 CRES ROHS	
184	13-2422-01	RETAINER PRINT HD CABLE ROHS	
185	DPO17-3065-01	(2PK) SPRING COMP .36ODX.035WDX.75 ROHS	
186	DPO10-3105-01	(50PK) WASHER FLAT .44 ODX .26 IDX.047THK	
187	DPO10-3085-14	(25PK) SCREW SHC W/ LK COMP M4 X 12 ROHS	
188	---	GREASE SILCONE ROHS	
189	DPO10-3066-03	(50PK) SCREW FLAT HEAD SS M4 X 10 ROHS	
190	DPO10-3019-04	(50PK) WASHER SPLIT LOCK #8 CRES ROHS	
191	DPO10-3016-02	(50PK) NUT HEX M4 SS ROHS	
192	DPO10-3085-24	(5PK) SCRW SHC W/ VIBRA-TITE M4 X 12 ROHS	
200	DPO78-2802-01	CCA MAIN W/LAN ROHS	

Lower Pinch Roller Assembly (15-2974-02)



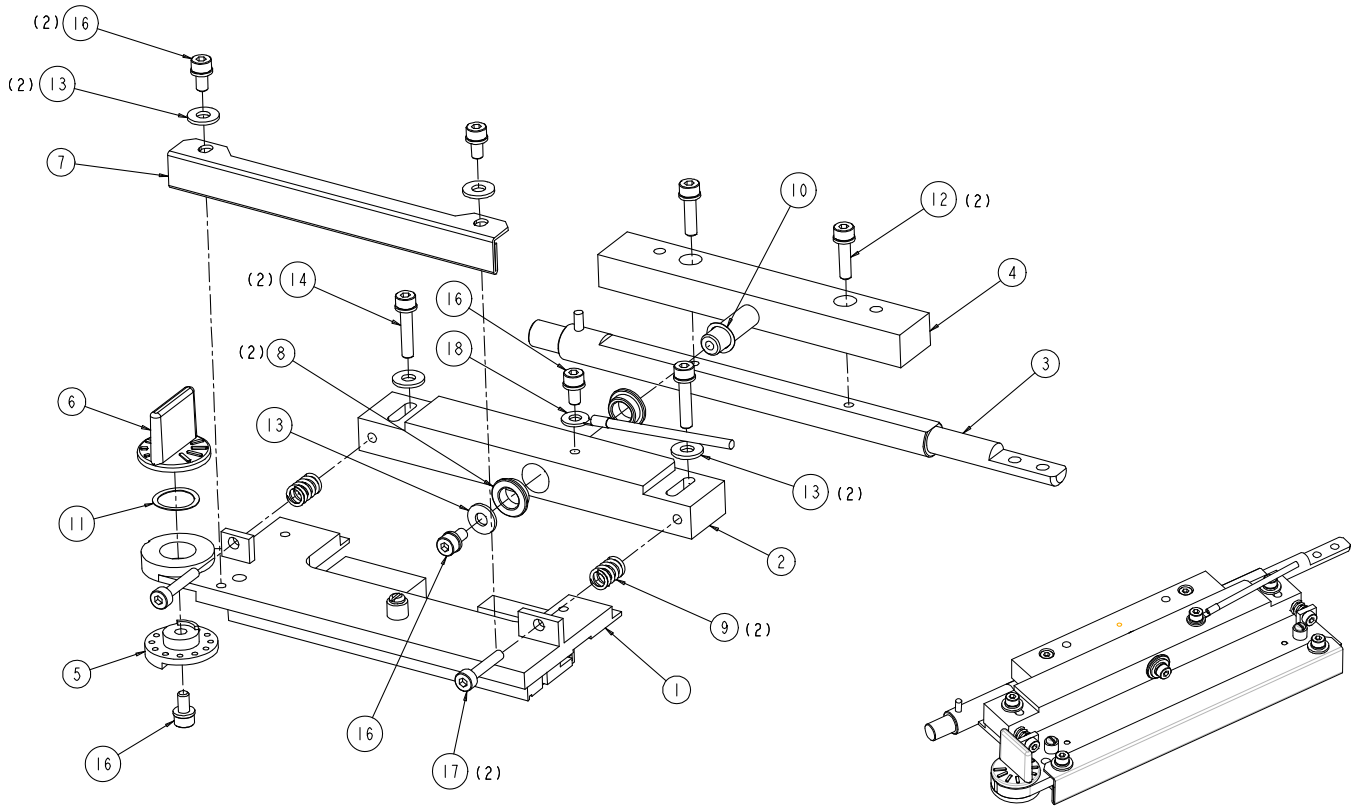
Item	Part Number	Description	Notes
1	15-3183-02	ASSY 6" PINCH ROLLER FRAME ROHS	
2	11-5256-02	SPRING FLAT ROHS	
3	11-5599-02	SCREW PLATE 6" ROHS	
4	12-3295-02	ROLLER PINCH 6" ROHS	
5	12-2574-02	SHAFT HINGE ROHS	
8	DPO10-3021-05	(20PK) E-RING 1/4 TRUARC CRES ROHS	
9	DPO10-3088-07	(25PK) SCREW FLATHEAD CRES M3 X 5 ROHS	
10	17-2856-01	BEARING BALL FL .0937 X .3125 ROHS	
11	---	LOCTITE 242 ROHS	

Latch Assembly (15-2975-02)



Item	Part Number	Description	Notes
1	11-5578-02	LATCH 6" ROHS	
2	12-3280-02	SHAFT LATCH PIVOT ROHS	
3	DPO10-3088-01	(25PK) SCREW FLATHEAD CRES M3 X 6 ROHS	

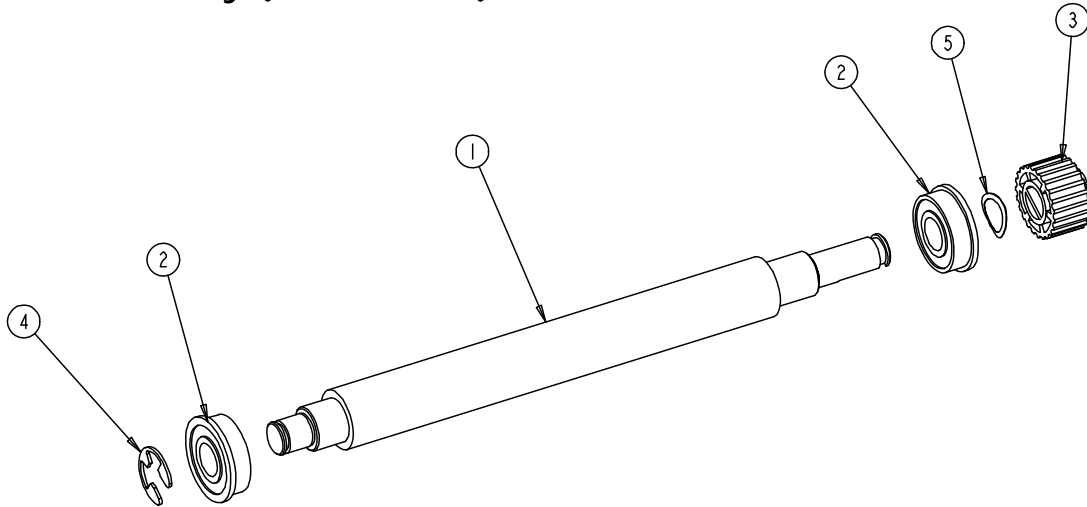
Printhead Assembly (15-2977-02)



-02 VERSION

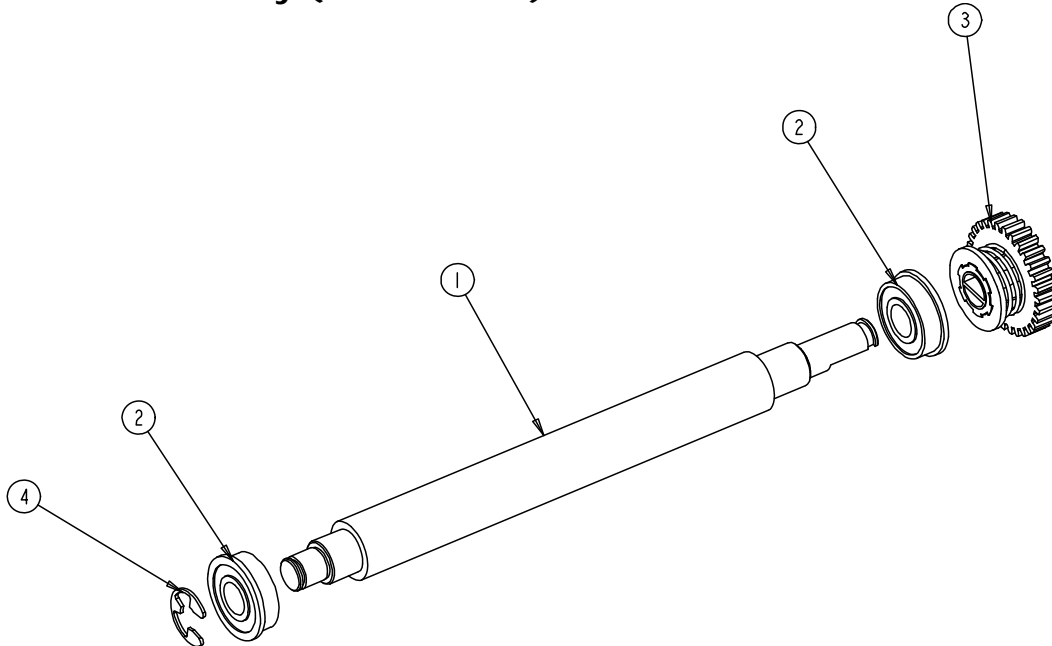
Item	Part Number	Description	Notes
1	15-3103-01	ASSY 6" RH PRINthead MOUNT ROHS	
2	12-3267-04	PIVOT 6" PRINthead ROHS	
3	12-3233-04	SHAFT PRINthead MOUNT ROHS	
4	12-3266-01	PLATE PRINthead ADAPTER ROHS	
5	DPO16-2906-01	(2PK) CAM NARROW MEDIA ROHS	
6	16-2907-01	KNOB NARROW MEDIA ROHS	
7	11-5552-02	SHIELD RIBBON ROHS	
8	DPO899349	(10PK) BEARING - FLANGED .312 ROHS	
9	DPO17-3075-01	(2PK) SPRING COMP.30ODX.045WDX.56 ROHS	
10	DPO10-3084-01	(10PK) WASHER WAVE .312 ID CRES	
11	DPO10-3084-02	(10PK) WASHER WAVE .505 ID CRES	
12	DPO10-3085-05	(25PK) SCRW SH CAP W/ LW M4 X 16 ROHS	
13	DPO10-3018-04	(25PK) WASHER FLAT #8 CRES	
14	DPO10-3085-06	(25PK) SCREW SOC HD CAP W/ LW M4 X 20	
16	DPO10-3085-02	(25PK) SCREW SOC HD CAP W/ LW M4 X 8	
17	DPO10-3015-43	(10PK) SCREW SHC M4X20 CRES W/LKG COMP	
18	32-2528-01	GROUND STRAP ROHS	

Peel Roller Assembly (15-3019-12)



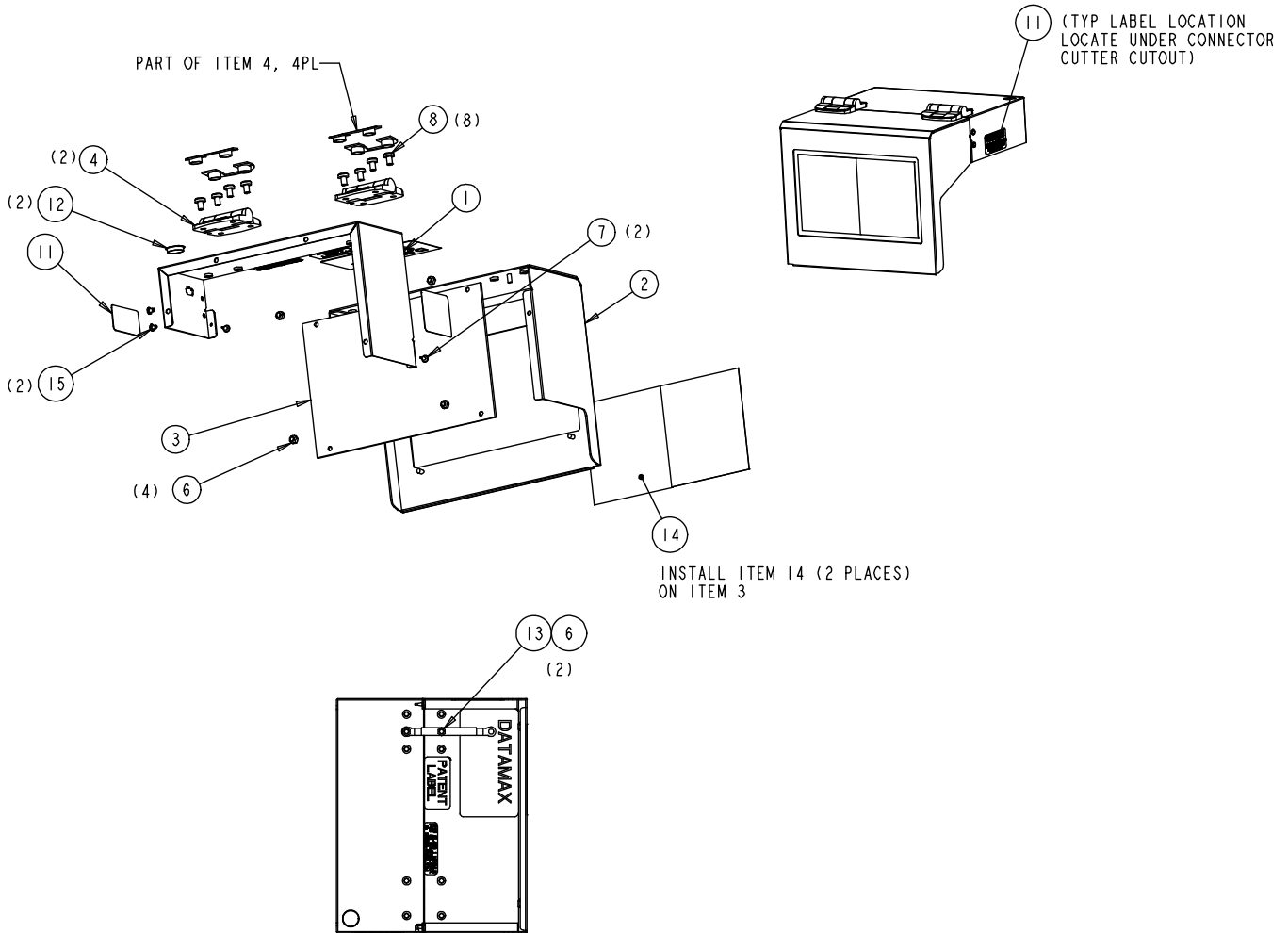
Item	Part Number	Description	Notes
1	13-2405-02	ROLLER PLATEN 6" ROHS	
2	17-3028-01	BEARING FLANGED 440C 3/8X7/8 ROHS	
3	DPO16-2904-01	(2PK) PULLEY TIMING 22 TEETH ROHS	
4	DPO10-3021-07	(25PK) E-RING 3/8 TRUARC CRES	
5	DPO10-3084-03	(5PK) WASHER WAVE .378 ID CRES ROHS	

Take-up Roller Assembly (15-3019-13)



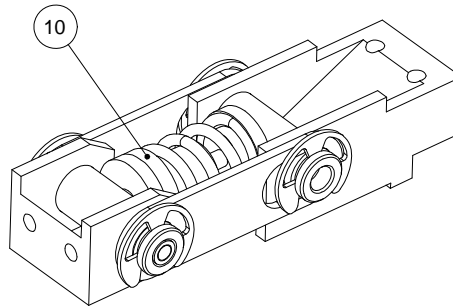
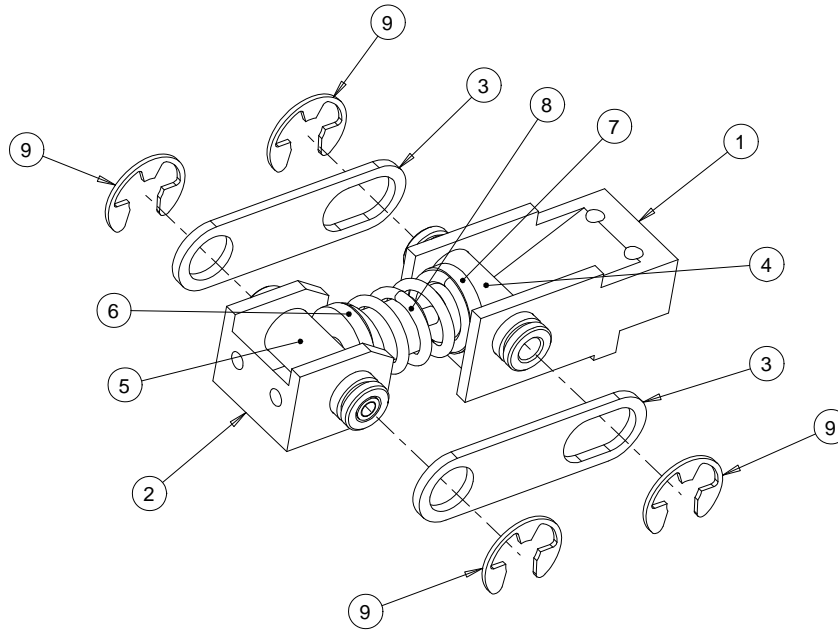
Item	Part Number	Description	Notes
1	13-2405-02	ROLLER PLATEN 6" ROHS	
2	17-3028-01	BEARING FLANGED 440C 3/8X7/8 ROHS	
3	15-3020-01	CLUTCH RIBBON TAKE-UP ROHS	
4	DPO10-3021-07	(25PK) E-RING 3/8 TRUARC CRES ROHS	

Cover Assembly (15-3021-02)



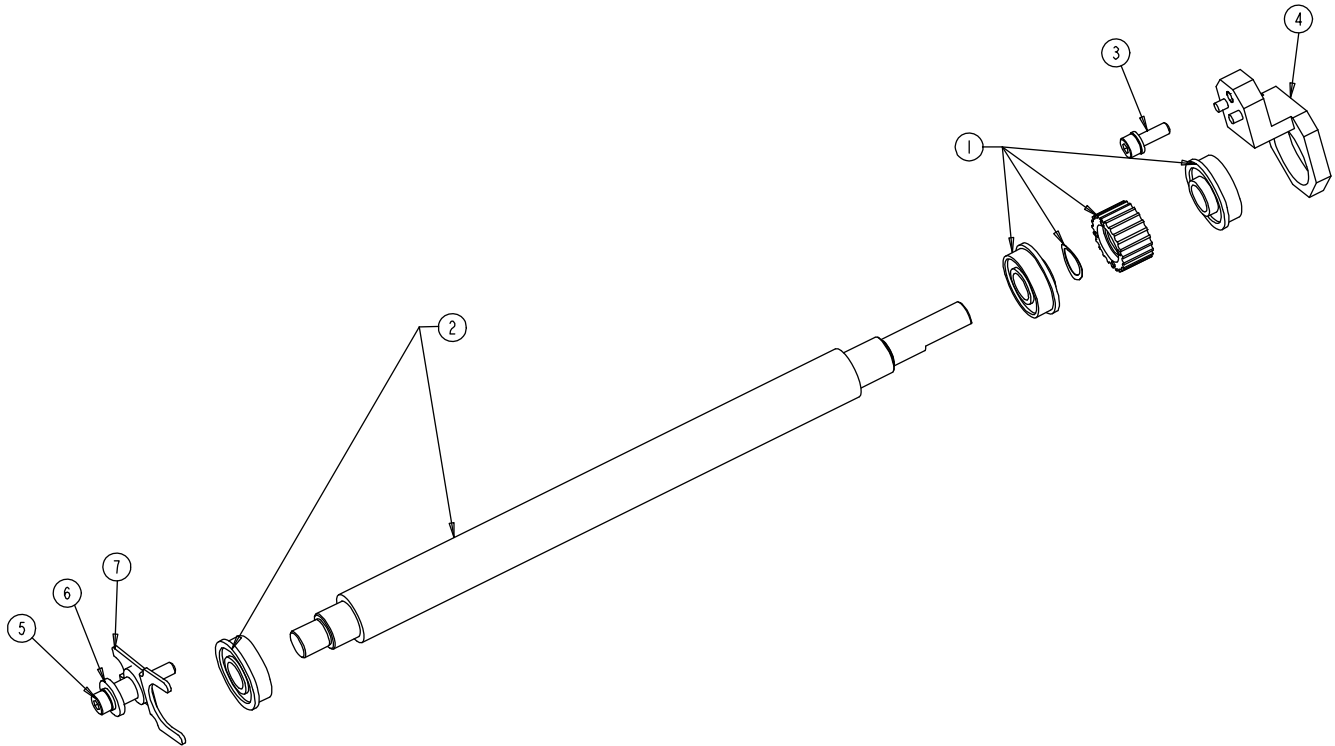
Item	Part Number	Description	Notes
1	11-5533-02	COVER INNER 6" RH ROHS	
2	11-5534-01	COVER OUTER RH ROHS	
3	16-2887-01	WINDOW ROHS	
4	17-3036-01	HINGE ROHS	
6	DPO10-3091-01	(50PK) NUT HEX SELF-LOCKING M4 CRES ROHS	
7	DPO13-2392-01	(10PK) BUMPER PULL THRU ROHS	
8	DPO10-3090-01	(50PK) SCREW PANHEAD M5 X 8 CRES ROHS	
11	14-2835-01	LABEL WARNING ROHS	
12	DPO17-3067-01	(25PK) PLUG 5/8 HOLE ROHS	
13	32-2553-01	GROUND CABLE A-CLASS COVER ROHS	
14	---	TAPE PROTECTIVE ROHS	
15	DPO17-3174-01	(10PK) RIVET NYLON SNAP .135" DIA	
---	78-2831-01	SENSOR OPEN COVER A-CLASS MKII	Not shown

Printhead Pressure Assembly (15-3186-02)



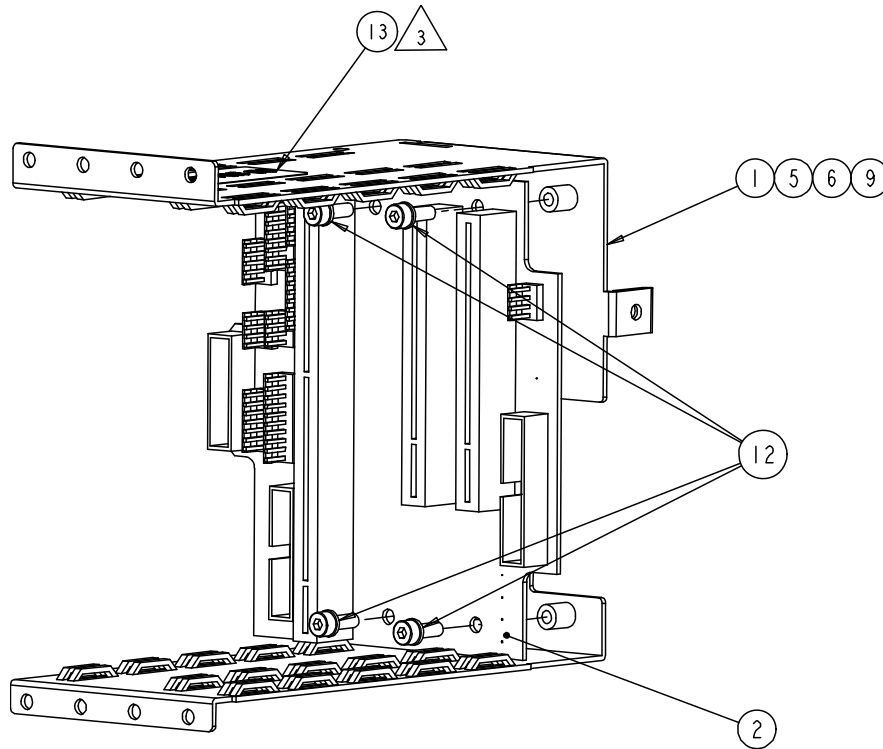
Item	Part Number	Description	Notes
1	12-3229-01	BRACKET PRESSURE LOWER ROHS	
2	12-3485-01	BRACKET PRESSURE UPPER	
3	11-5537-01	RETAINER PRINthead PRESSURE ROHS	
4	12-3486-01	SHAFT PRINthead PRESSURE	
5	15-3187-01	ASSY PIVOT PIN	
6	12-3353-01	SLIDE UPPER ROHS	
7	12-3354-01	SLIDE LOWER ROHS	
8	17-3160-01	SPRING COMPRESSION	
9	DPO10-3021-07	(25PK) E-RING 3/8 TRUARC CRES ROHS	
10	16-3005-01	SPACER PH PRESSURE ROHS	

Platen Roller Removable (15-3215-02)



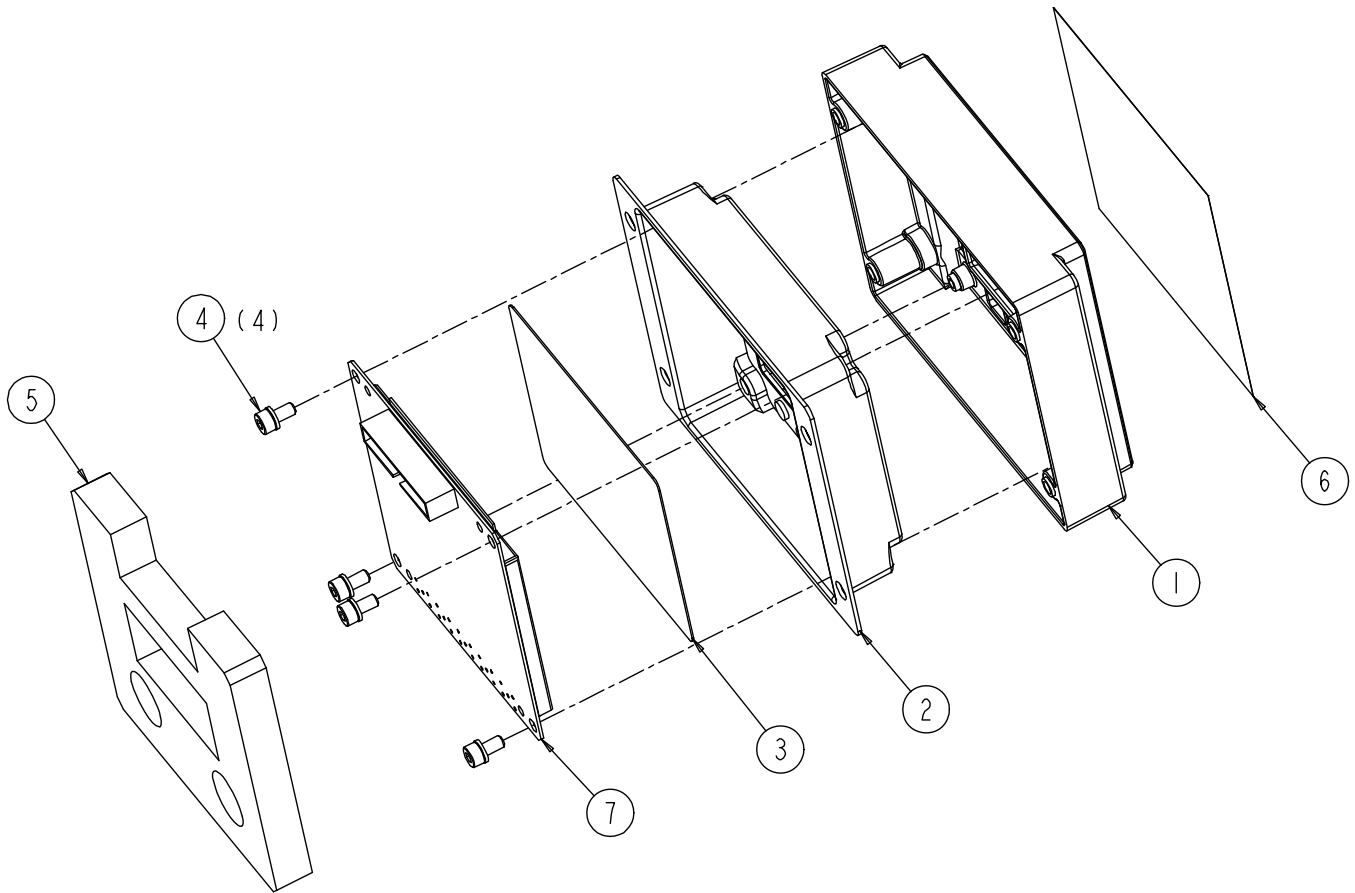
Item	Part Number	Description	Notes
1	15-3218-01	G2 PLATEN PULLEY ASSY	
2	15-3219-02	G2 REMOVABLE PLATEN ROLLER & OUTER BEARING 6"	
3	DPO10-3085-14	(25PK) SCRW SHC W/ LK COMP M4 X 12	
4	12-3491-01	G2 BLOCK BEARING MTG	
5	DPO10-3085-07	(25PK) SCRW SH CAP W/ LW M4 X 25 ROHS	
6	12-3501-01	G2 POST LATCH	
7	11-5783-01	G2 BRACKET BEARING RETAINER	

Card Cage Assembly (24-2685-XX)



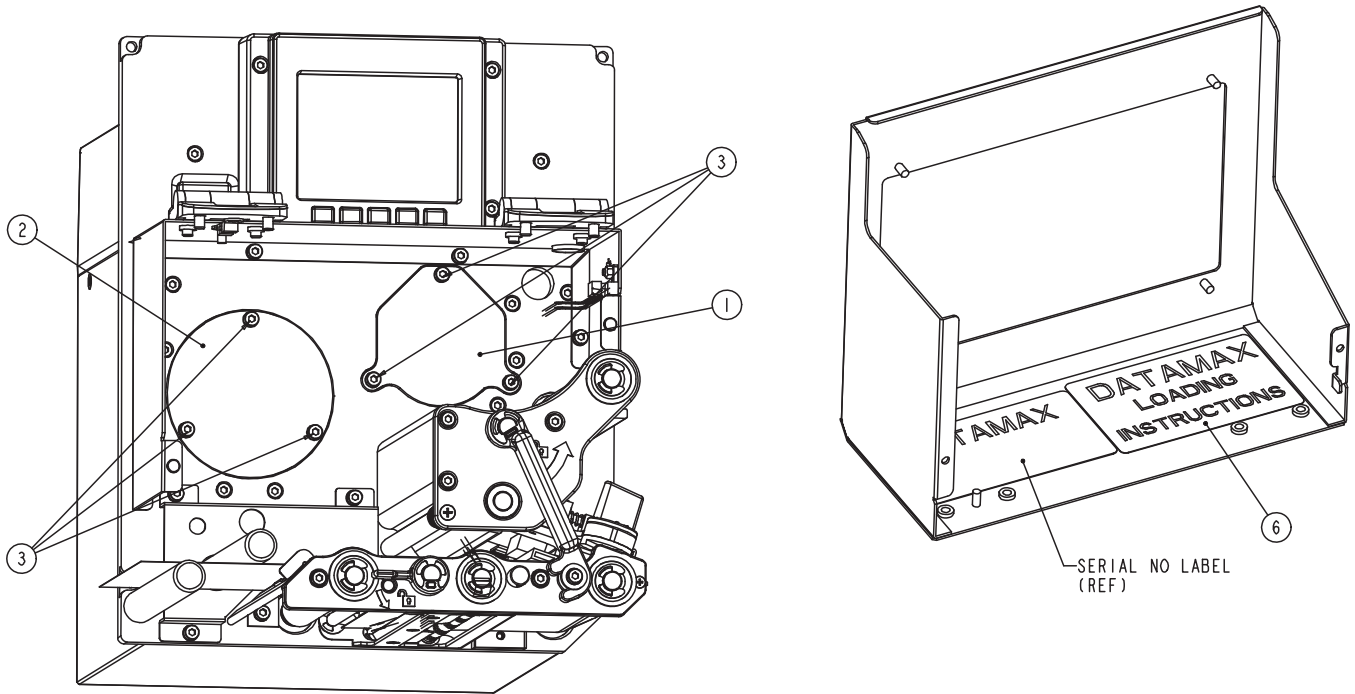
Item	Part Number	Description	Notes
1	11-5682-02	CARD CAGE ROHS	
2	---	A-CLASS G2 BACKPLANE REMOTE READY	Available as part of whole assembly 24-2685-02
	---	A-CLASS G2 BACKPLANE NON REM. RDY.	Available as part of whole assembly 24-2685-01
5	32-2530-01	CABLE ASSY BACK PLANE PWR ROHS	Not shown
6	32-2531-01	CABLE ASSY MOTOR CONTROL ROHS	Not shown
9	32-2540-01	CABLE ASSY. GRAPHICS DISPLAY ROHS	Not shown
	32-2646-01	CABLE ASSY GRAPHICS & REMOTE DISPLAY ROHS	Not shown
12	DPO10-3085-04	(25PK) SCREW SOC HD CAP W/ LW M4 X 12 ROHS	
13	---	LABEL CARD CAGE UL ROHS	
---	DPO10-2626-01	REMOTE READY DISPLAY ONLY – (50PK) SCRW JACK .19 X .19L 4-40THD ROHS	Quantity 2, not shown
---	DPO140028	REMOTE READY DISPLAY ONLY – (50PK) NUT HEX 4-40 W/ TOOTH KEPS ROHS	Quantity 2, not shown

Display Assembly (24-2691-01)



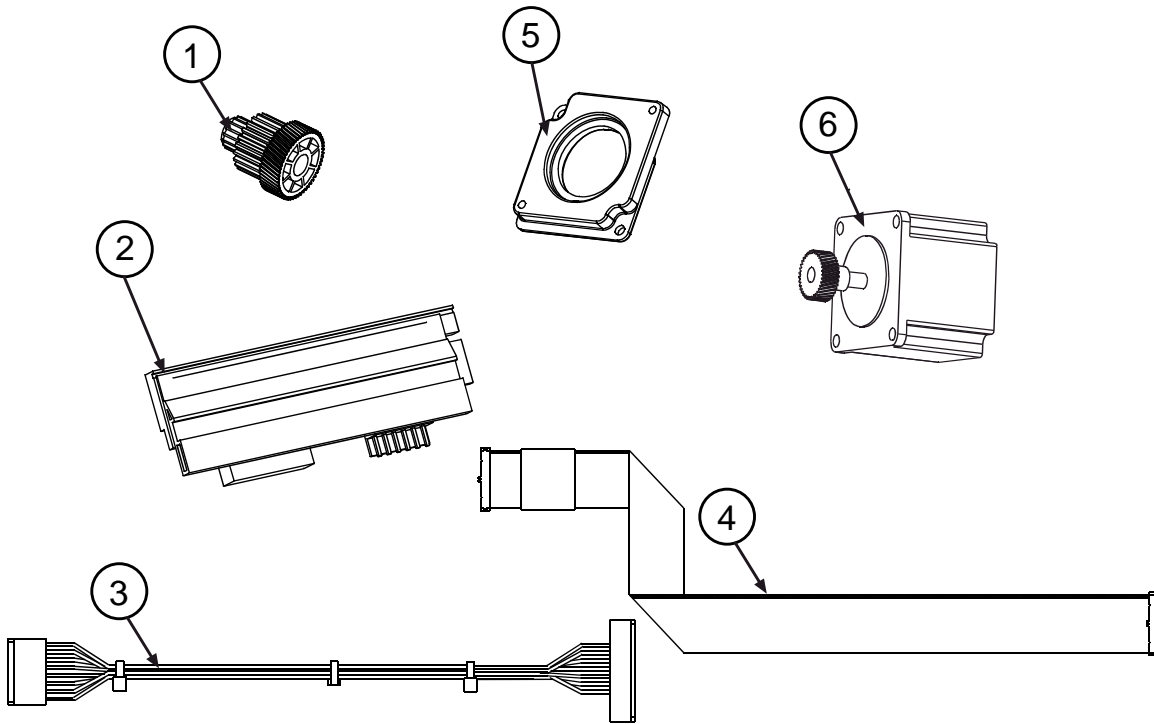
Item	Part Number	Description	Notes
1	12-3270-01	BEZEL DISPLAY ROHS	
2	16-2916-01	KEYPAD 5 BUTTON ROHS	
3	16-2961-01	COVER LCD ROHS	
4	DPO10-3085-02	(25PK) SCRW SH CAP W/ LW M4 X 8 ROHS	
5	DPO13-2425-01	(5PK) FILLER CONTROL PANEL BOOT ROHS	
6	---	TAPE PROTECTIVE ROHS	
7	45-2028-01	A-CLASS G2 DISPLAY 320X240 ALIKEH	

Direct Thermal (78-2474-01)



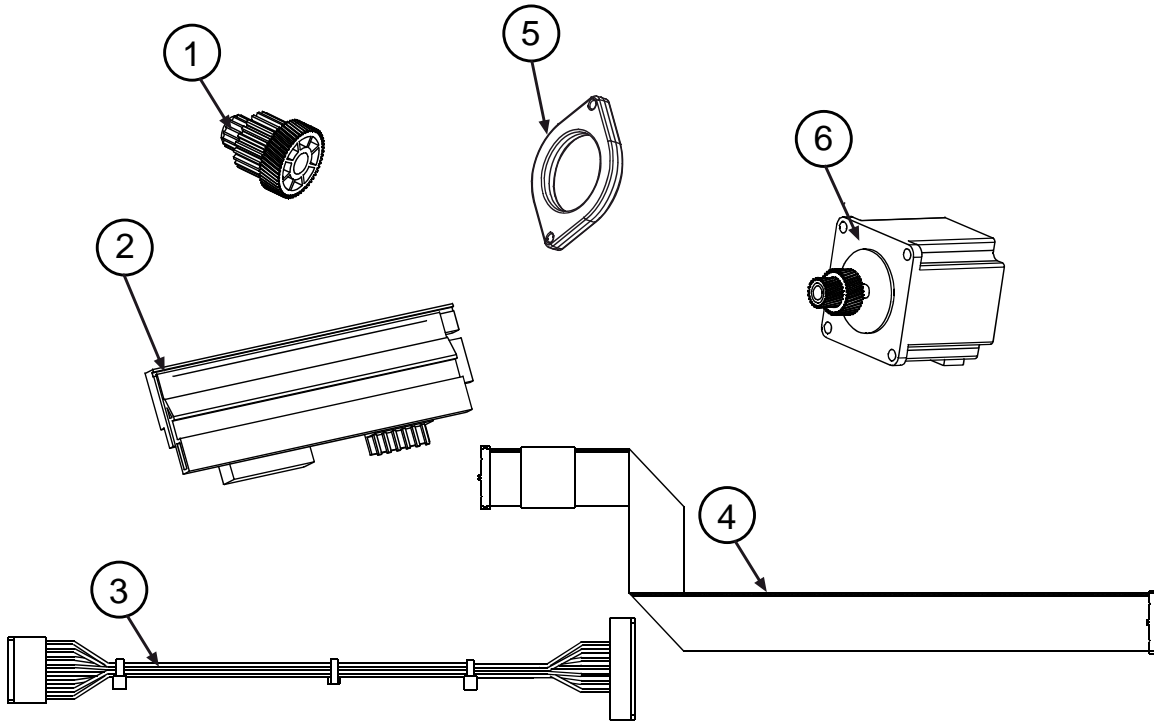
Item	Part Number	Description	Notes
1	11-5584-01	COVER RIBBON TAKE-UP ROHS	
2	11-5585-01	COVER RIBBON SUPPLY ROHS	
3	DPO10-3085-02	(25PK) SCREW SOC HD CAP W/ LW M4 X 8 ROHS	
6	14-2872-03	LABEL LINERLESS LOADING DT ROHS	

Printhead / Pulley Kit, 203 DPI



Item	Part Number	Description	Notes
1	15-3117-01	PULLEY COMPOUND 203DPI, ROHS	
2	PHD20-2245-01	PH 6" WIDE 203 DPI SMART ROHS	
3	32-2534-02	CABLE ASSY 6 IN PRINTHEAD PWR ROHS	
4	32-2650-01	CABLE ASSY 6IN PRINTHEAD DATA ROHS	
5	12-3384-01	SPACER MOTOR MOUNTING RH, ROHS	
6	24-2543-03	STEPPER MOTOR ASSEMBLY, ROHS	
---	DPO10-3085-04	(25PK) SCRW, SH CAP W/LW, M4 X 12, ROHS	Quantity 4, not shown

Printhead / Pulley Kit, 300 DPI



Item	Part Number	Description	Notes
1	15-3118-01	GEAR COMPOUND 300DPI, ROHS	
2	PHD20-2246-01	PH 6" WIDE 300 DPI SMART ROHS	
3	32-2534-02	CABLE ASSY 6" PRINthead PWR ROHS	
4	32-2650-01	CABLE ASSY. 6IN PRINthead DATA ROHS	
5	12-3370-01	SPACER MOTOR MOUNTING, ROHS	
6	24-2543-02	STEPPER MOTOR ASSEMBLY, ROHS	
---	DPO10-3085-06	(25PK) SCRW, SH CAP W/LW, M4 X 20, ROHS	Quantity 2, not shown

Four-Inch Left Hand Printer Assemblies:

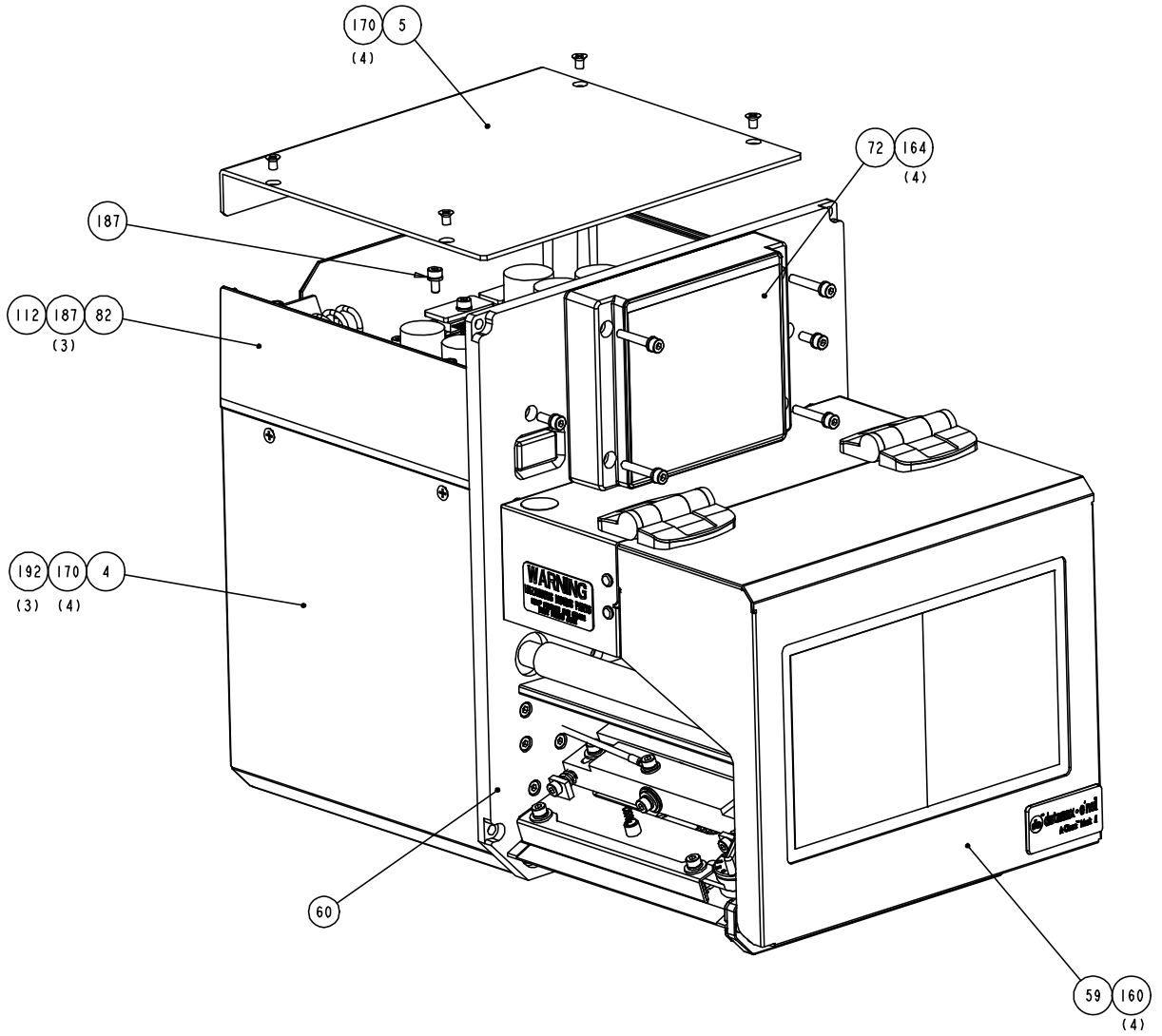
A-4212 Mark II

A-4310 Mark II

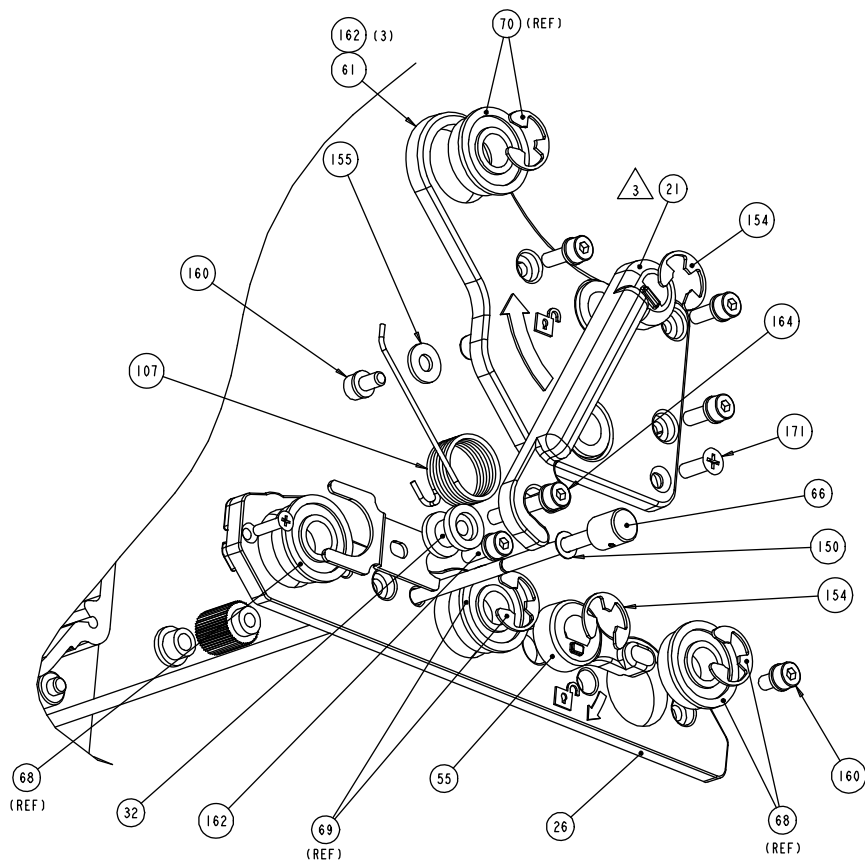
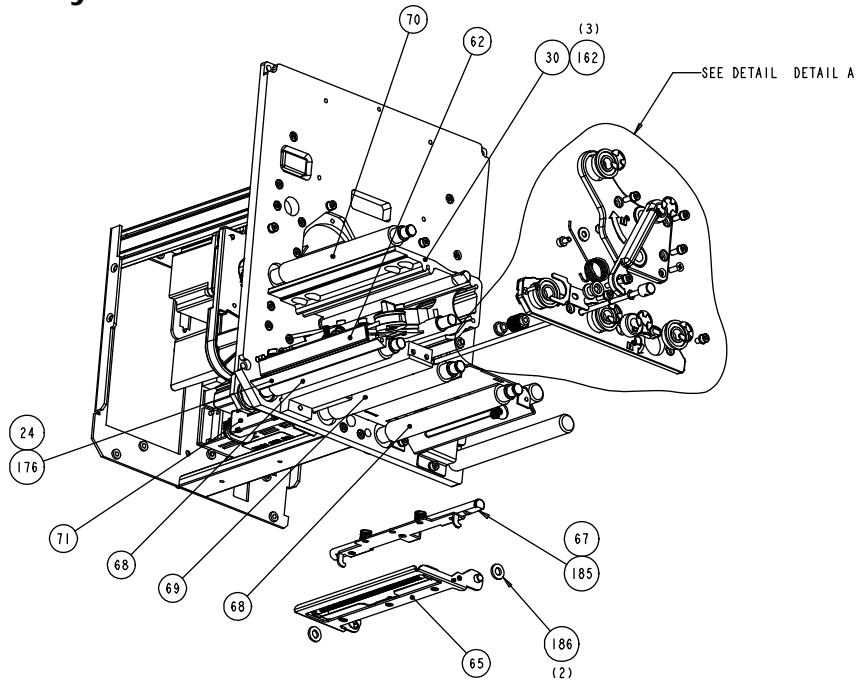
A-4408 Mark II

A-4606 Mark II

Printer Assembly 1 of 6

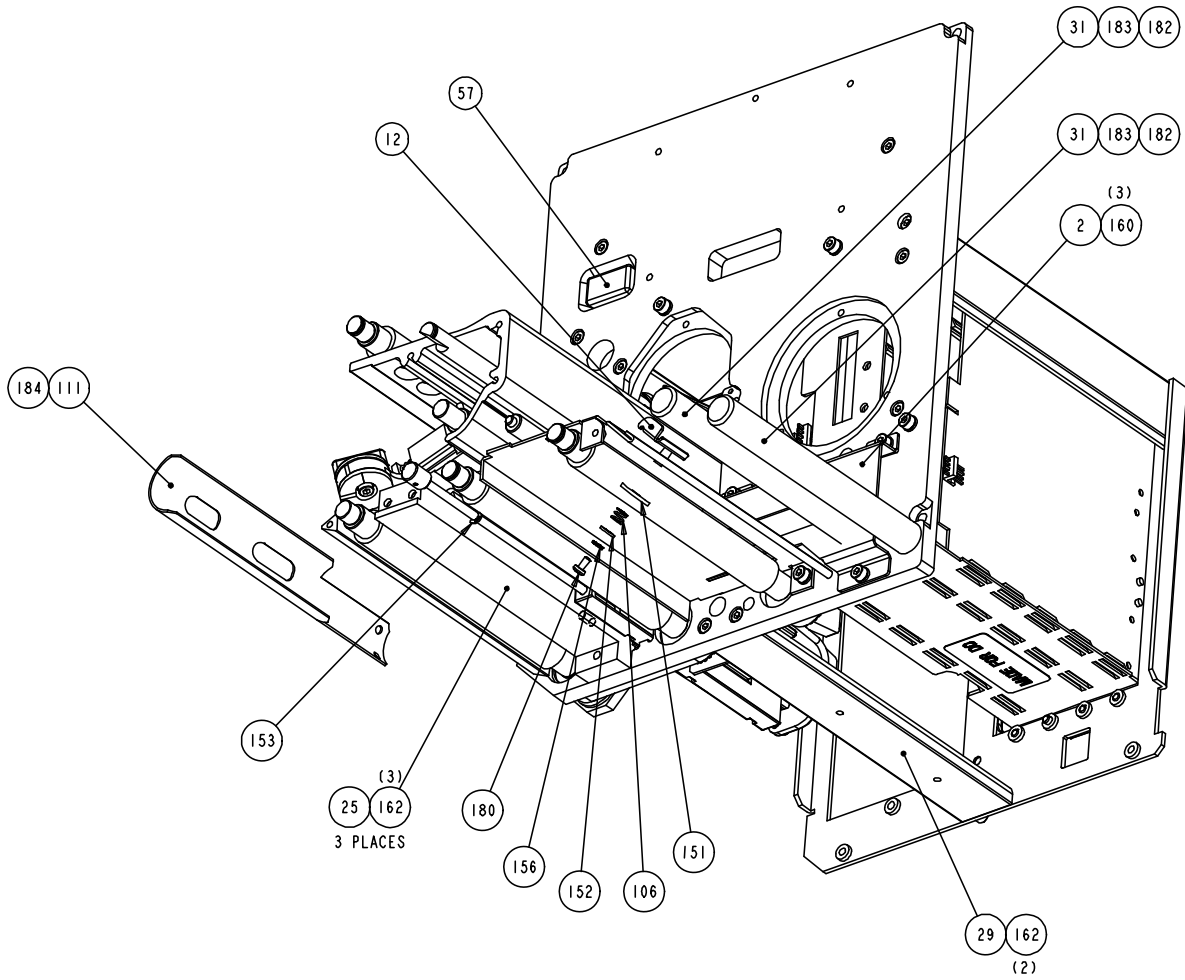


Printer Assembly 2 of 6

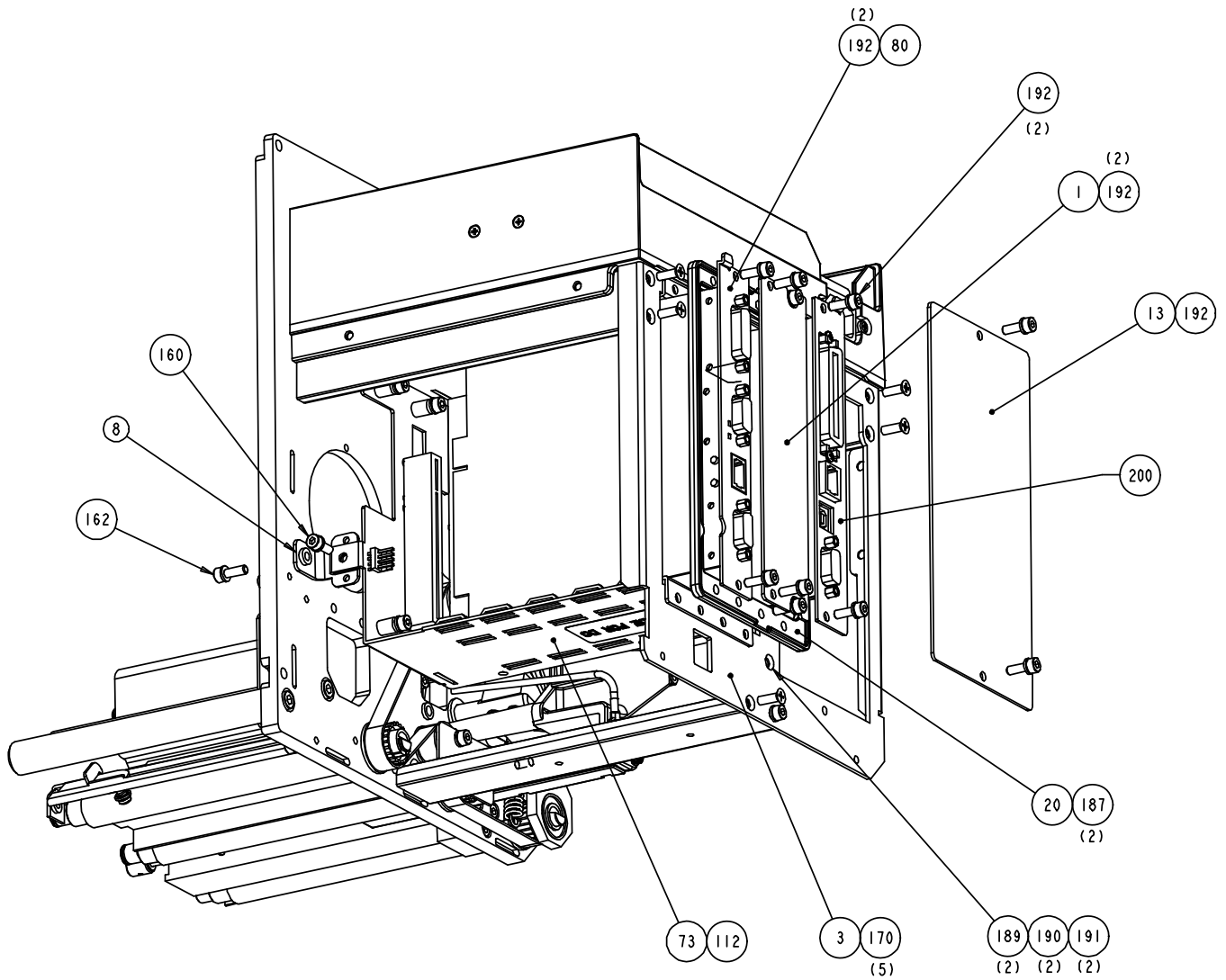


DETAIL DETAIL A
SCALE 1.500

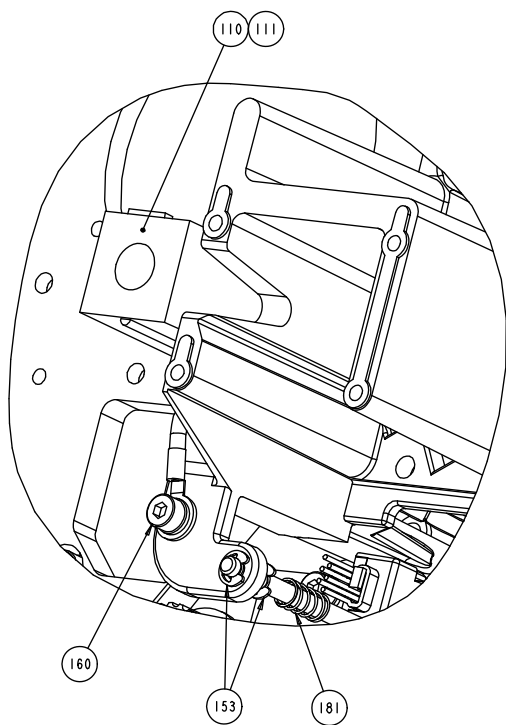
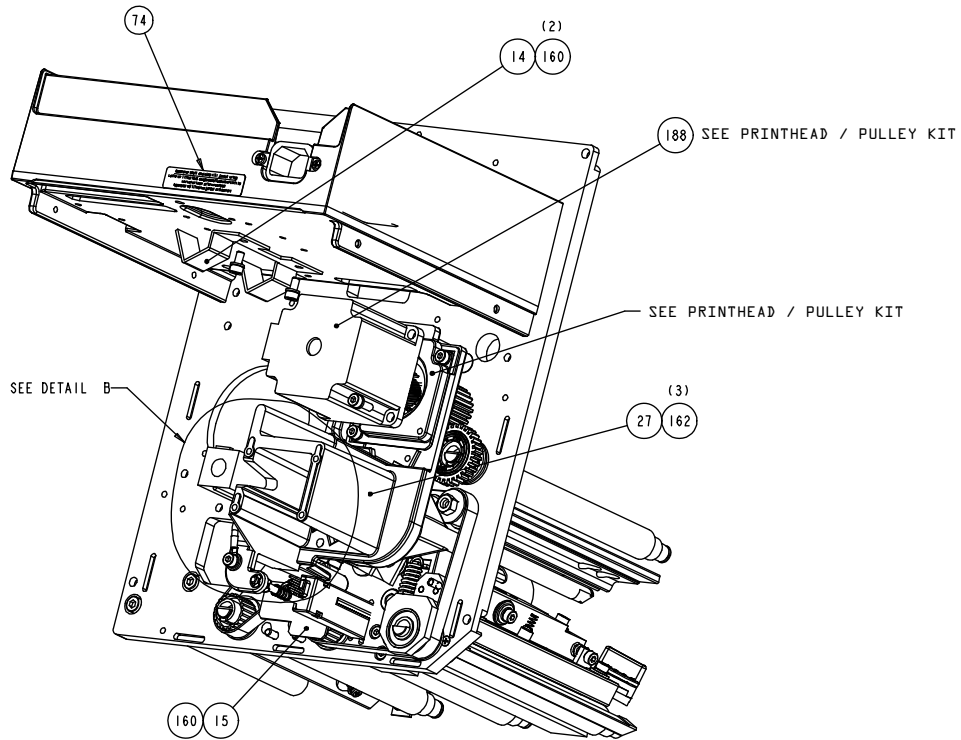
Printer Assembly 3 of 6



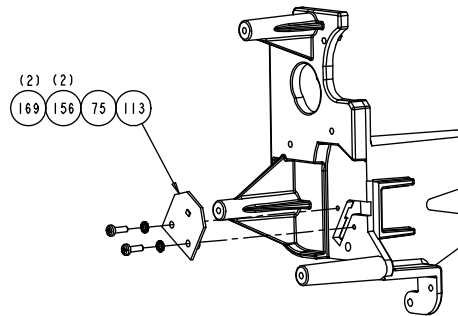
Printer Assembly 4 of 6



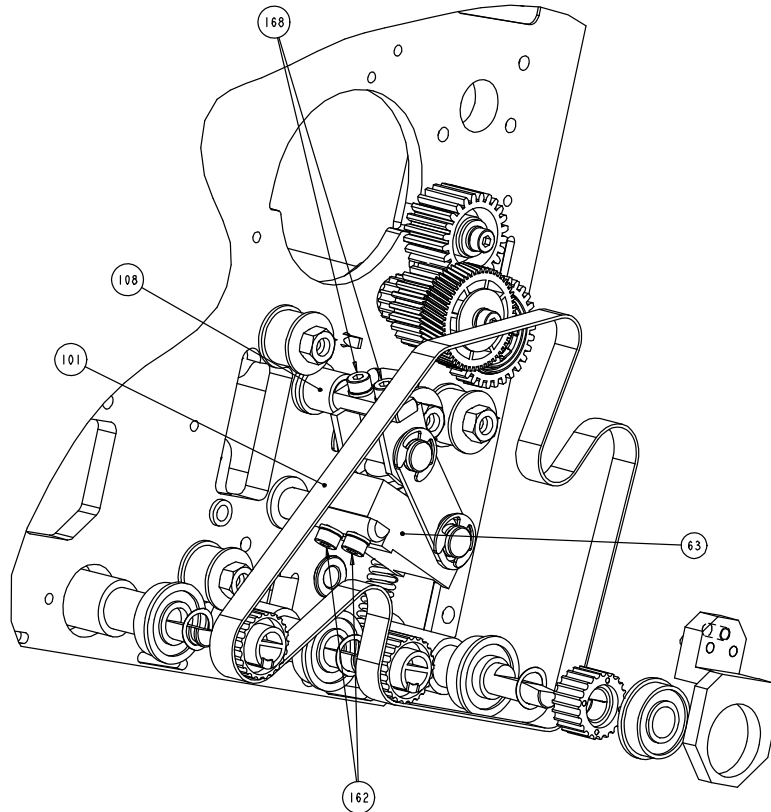
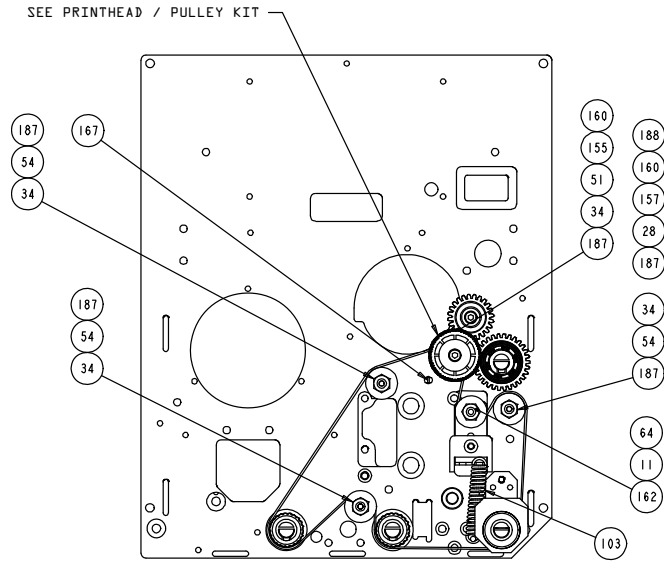
Printer Assembly 5 of 6



DETAIL B
SCALE 2.000



Printer Assembly 6 of 6

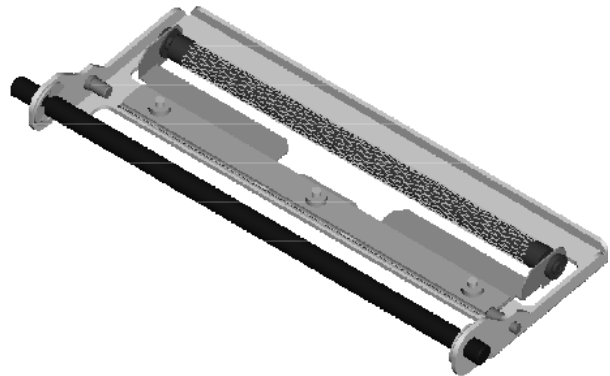
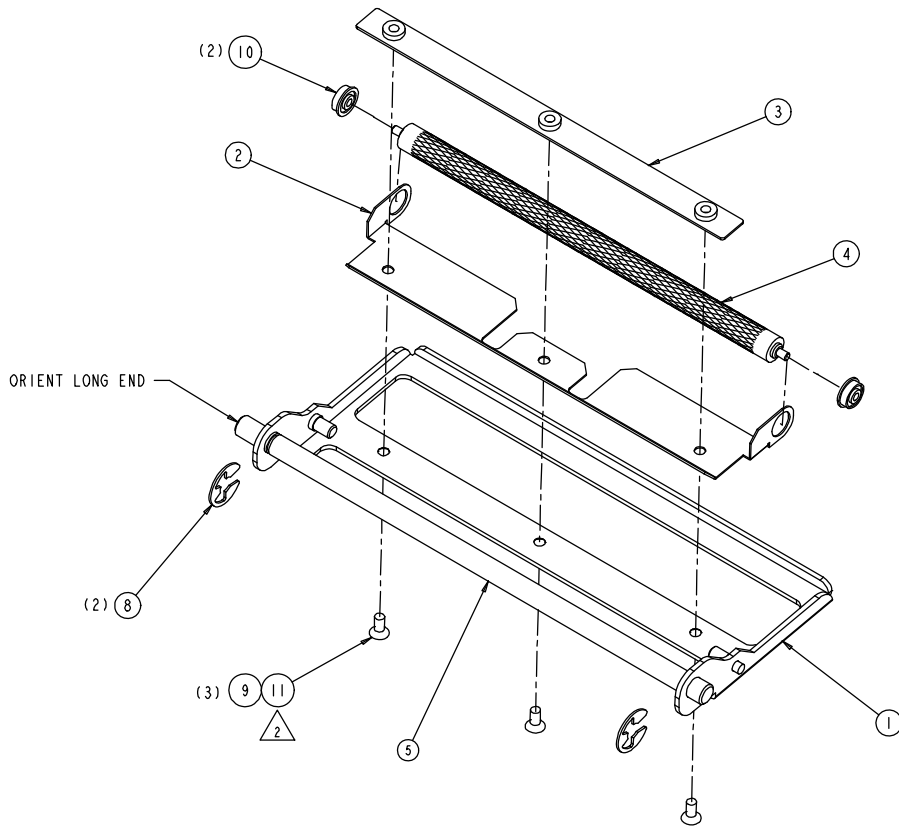


SCALE 1.500

Item	Part Number	Description	Notes
1	11-5279-01	PLATE COVER EXPANSION ROHS	
	11-5771-01	PLATE REAR WIRELESS ONLY	See option
2	11-5790-02	G2 GUIDE MEDIA LH W/PINCH ROLLER	
3	11-5780-02	G2 PLATE REAR MEMORY CARD LH	
4	11-5786-02	G2 COVER REAR W/O MEMORY CARD LH	
	11-5779-02	G2 COVER REAR WITH MEMORY CARD LH	
5	11-5531-01	COVER TOP ROHS	
6	11-5791-11	G2 PLATE LOWR 4" LH W/PINCH ROL PIN	
8	11-5577-01	SUPPORT CARD CAGE ROHS	
11	11-5570-01	PLATE NUT ROHS	
12	11-5536-02	GUIDE MEDIA ADJUSTABLE LH ROHS	
13	11-5427-01	PLATE COVER ROHS	
	11-5785-01	G2 PLATE COVER REMOTE DISPLAY	See assembly details
14	11-5602-01	BRACKET RETAINER CABLE ROHS	
15	11-5603-01	COVER CABLE ROHS	
20	12-3342-01	PLATE MOUNTING CARD CAGE ROHS	
21	12-3255-02	HANDLE LATCH LH ROHS	
22	12-3052-02	SHAFT RIBBON IDLER ROHS	
23	12-3217-01	SHAFT LATCH PRINTHEAD 4" ROHS	
24	12-3488-01	BAR PEEL 4" ROHS	
25	12-3244-01	BLOCK SUPPORT PLATEN 4" ROHS	
26	12-3214-02	PLATE SIDE LOWER LH ROHS	
	12-3498-02	G2 PLATE SIDE LWR LH WITH PINCH ROLLER	
27	12-3286-02	BRACKET SUPPORT MOTOR LH ROHS	
28	12-3432-01	POST IDLER ROHS	
29	12-3221-01	BLOCK SUPPORT REAR ROHS	
30	12-3215-01	SUPPORT CENTER ROHS	
31	12-3254-01	POST MEDIA 4" ROHS	
32	12-3221-02	G2 BLOCK SUPPORT REAR W/MEMRY CARD	
33	DPO12-3051-01	(5PK) CAM IDLER RIBBON ROHS	
34	12-3219-01	POST ILDER ROHS	
51	DPO16-2935-01	(2PK) GEAR IDLER ROHS	
54	15-3119-01	PULLEY ASSEMBLY ROHS	
55	16-2924-04	HANDLE LATCH ROHS	
57	DPO16-2950-01	(5PK) COVER SWITCH - PROTECTIVE ROHS	
59	15-3021-11	COVER ASSEMBLY 4" LH ROHS	
60	15-3220-02	G2 CENTERPLATE ASSEMBLY LH	
61	15-3015-02	UPPER SIDE PLATE ASSY LH ROHS	
62	15-2977-11	ASSY 4" LH PRINTHEAD ROHS	See assembly details
63	15-3186-11	PH PRESS ASSY 4" LH ROHS	See assembly details
64	15-2970-01	TENSION ASSY ROHS	
65	15-2974-11	LOWER PINCH ROLLER ASSY 4" LH ROHS	See assembly details
66	15-2976-01	ASSY THREADED ROD ROHS	
67	15-2975-11	G2 LH 4" LATCH ASSEMBLY ROHS	See assembly details
68	15-3215-11	G2 LH REMOVABLE PLATEN ROLLER ASSY 4"	See assembly details
69	15-3019-02	PLATEN ROLLER ASSY 4" PEEL ROHS	See assembly details
70	15-3019-03	PLATEN ROLLER ASSY 4" TAKE-UP ROHS	See assembly details
71	DPO24-2604-01	(2PK) MEDIA SENSOR ASSEMBLY ROHS	
72	24-2691-01	G2 DISPLAY ASSEMBLY ROHS	See assembly details

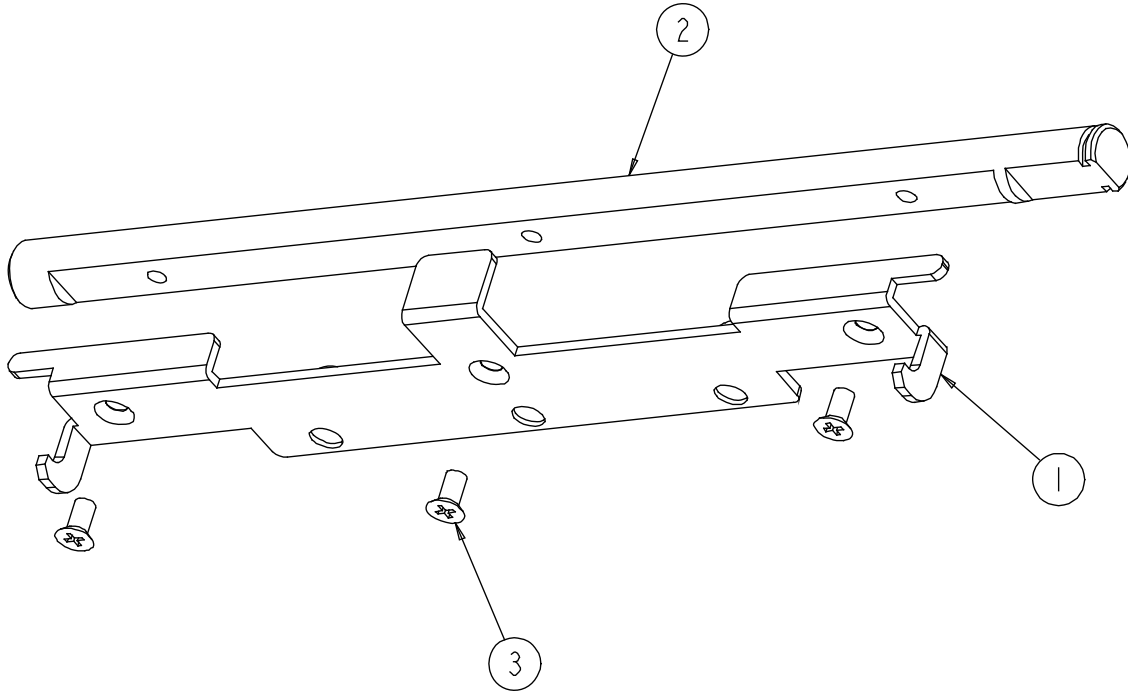
Item	Part Number	Description	Notes
73	24-2685-01	G2 CARD CAGE ASSY NON-REMOTE	See assembly details
	24-2685-02	G2 CARD CAGE ASSY REMOTE READY	See assembly details
74	---	EARTHED SOCKET-OUTLET LABEL COMPACT	
75	51-2434-00	CCA HEAD HOME HALL EFF. ROHS	
80	DPO51-2404-10	(1/PK)CCA,APPLICATOR	
82	24-2617-01	POWER SUPPLY ASSEMBLY ROHS	
101	17-2987-01	BELT TIMING 184 T 3MM HTD ROHS	
103	17-3094-01	SPRING EXTENSION ROHS	
105	DPO17-2816-01	(10PK) BUSHING FLAN .1895X.314X1/4L ROHS	
106	DPO17-3064-01	(5PK) SPRING COMP.24ODX.032WDX.375 ROHS	
107	17-3029-02	SPRING TORSION HEAD LIFT LH ROHS	
108	DPO17-3011-01	(10PK) BUSHING FLANGED ROHS	
109	DPO17-3067-01	(25PK) PLUG 5/8 HOLE ROHS	
110	DPO44-2060-01	(2PK) ASSY FERRITE ROHS	
111	---	TYWRAP 8" ROHS	
112	---	TIE TWIST LOCK ROHS	
113	---	TYWRAP 4" ROHS	
150	DPO899325	(50PK) SPACER ROHS	
151	DPO10-3152-01	(5PK) WASHER FLAT .175 IDX.626 OD X.062T	
152	DPO10-2518-01	(50PK) WASHER FLAT SS ROHS	
153	DPO10-3021-03	(25PK) RING RETAINING 5/32 CRES ROHS	
154	DPO10-3021-07	(25PK) E-RING 3/8 TRUARC CRES ROHS	
155	DPO10-3018-04	(25PK) WASHER FLAT #8 CRES ROHS	
156	DPO10-3093-01	(25PK) WASHER M3 EXT TOOTH LOCK CRES	
157	DPO10-3136-01	(5PK) WASH FLT .172ID X .75OD X .04 ROHS	
160	DPO10-3085-02	(25PK) SCREW SOC HD CAP W/ LW M4 X 8 ROHS	
162	DPO10-3085-04	(25PK) SCREW SOC HD CAP W/ LW M4 X 12 ROHS	
164	DPO10-3085-07	(25PK) SCREW SOC HD CAP W/ LW M4 X 25 ROHS	
167	DPO17-2962-01	(50PK) CLIP ARROW ROHS	
168	DPO10-3085-03	(25PK) SCREW SOC HD CAP W/ LW M4 X 10 ROHS	
169	DPO10-3092-03	(50PK) SCREW PHP M3 X 10MM CRES	
170	DPO10-3066-01	(25PK) SCREW FLAT HEAD SS M4 X 6 ROHS	
171	DPO10-3066-04	(25PK) SCREW FLAT HEAD SS M4 X 12 ROHS	
175	DPO10-3088-04	(25PK) SCREW FLATHEAD CRES M3 X 12 ROHS	
176	DPO10-3088-05	(25PK) SCREW FLATHEAD CRES M3 X 14 ROHS	
180	DPO10-3092-01	(25PK) SCREW PHP M3 X 6MM CRES	
181	DPO17-3046-01	(5PK) SPRING COMPRESSION ROHS	
182	DPO10-3096-03	(50PK) WASHER SPLIT LOCK M5 CRES ROHS	
183	DPO10-3097-01	(20PK) SCREW SOCKET HD SET M5 X 12 CRES ROHS	
184	13-2422-01	RETAINER PRINT HD CABLE ROHS	
185	DPO17-3065-01	(2PK) SPRING COMP .36ODX.035WDX.75 ROHS	
186	DPO10-3105-01	(50PK) WASHER FLAT .44 ODX .26 IDX.047THK	
187	DPO10-3085-14	(25PK) SCREW SHC W/ LK COMP M4 X 12 ROHS	
188	---	GREASE SILCONE ROHS	
189	DPO10-3066-03	(50PK) SCREW FLAT HEAD SS M4 X 10 ROHS	
190	DPO10-3019-04	(50PK) WASHER SPLIT LOCK #8 CRES ROHS	
191	DPO10-3016-02	(50PK) NUT HEX M4 SS ROHS	
192	DPO10-3085-24	(5PK) SCRW SHC W/ VIBRA-TITE M4 X 12 ROHS	
200	DPO78-2802-01	CCA MAIN W/LAN ROHS	

Lower Pinch Roller Assembly (15-2974-11)



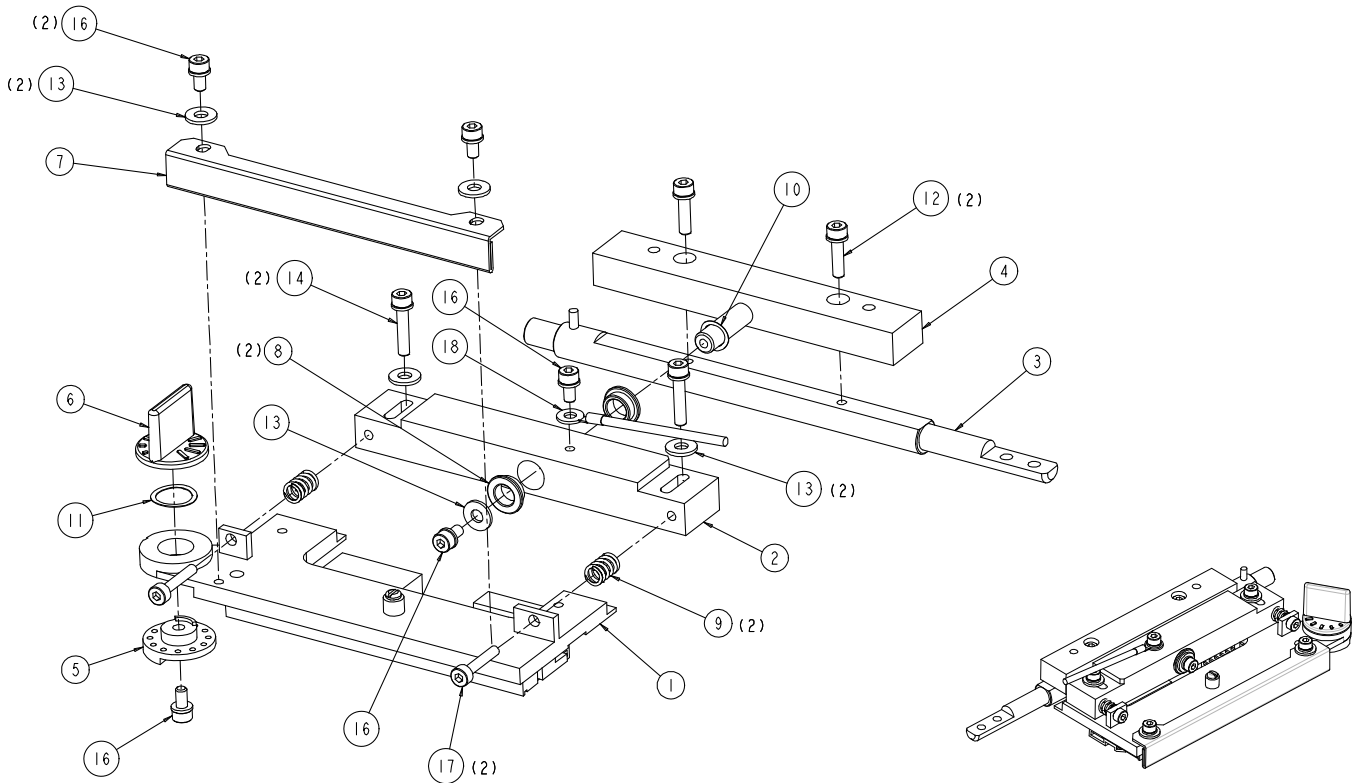
Item	Part Number	Description	Notes
1	15-3183-01	ASSY 4" PINCH ROLLER FRAME ROHS	
2	11-5256-01	SPRING FLAT ROHS	
3	11-5599-01	SCREW PLATE 4" ROHS	
4	12-3295-01	ROLLER PINCH 4" ROHS	
5	12-2574-01	HINGE SHAFT ROHS	
8	DPO10-3021-05	(20PK) E-RING 1/4 TRUARC CRES	
9	DPO10-3088-07	(25PK) SCREW FLATHEAD CRES M3 X 5	
10	17-2856-01	BEARING BALL FL .0937 X .3125 ROHS	
11	---	LOCTITE 242 ROHS	

Latch Assembly (15-2975-11)



Item	Part Number	Description	Notes
1	11-5578-01	LATCH 4" ROHS	
2	12-3280-01	SHAFT LATCH PIVOT ROHS	
3	DPO10-3088-01	(25PK) SCREW FLATHEAD CRES M3 X 6 ROHS	

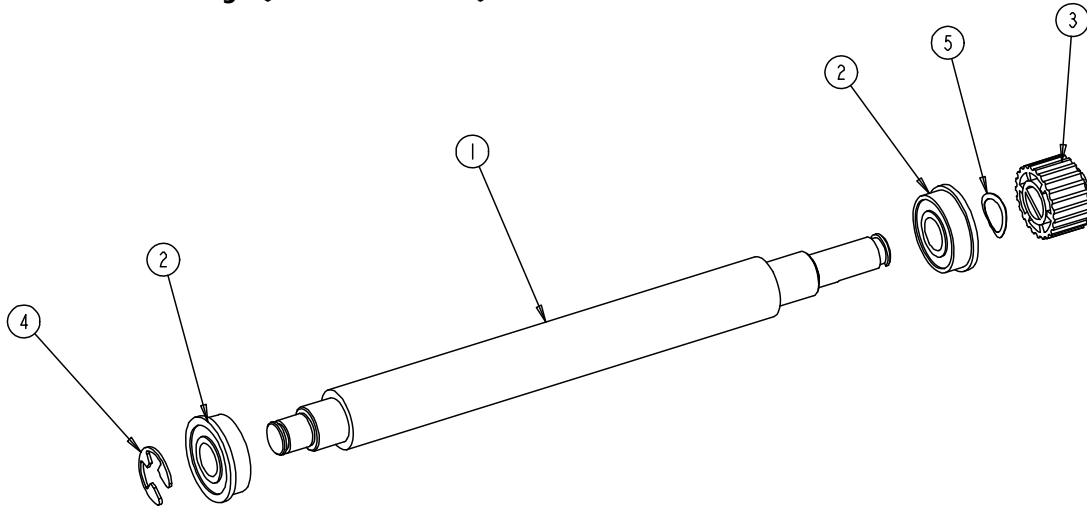
Printhead Assembly (15-2977-11)



-11 VERSION

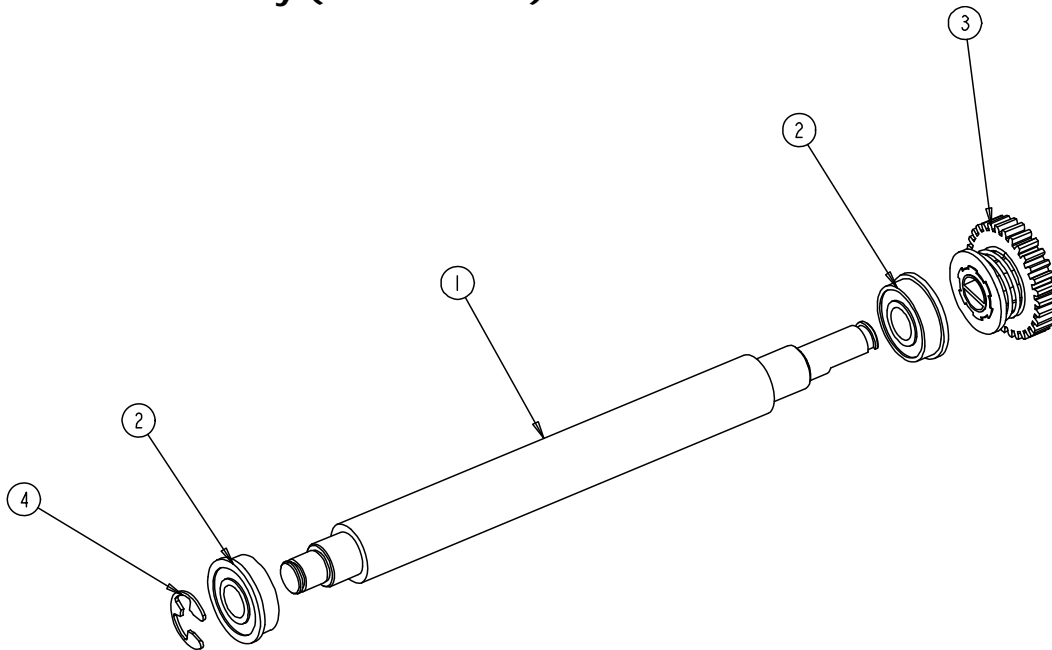
Item	Part Number	Description	Notes
1	15-3104-01	ASSY 4" LH PRINthead MOUNT ROHS	
2	12-3267-03	PIVOT 4" PRINthead ROHS	
3	12-3233-03	SHAFT PRINthead MOUNT ROHS	
4	12-3266-01	PLATE PRINthead ADAPTER ROHS	
5	DPO16-2906-01	(2PK) CAM NARROW MEDIA ROHS	
6	16-2907-01	KNOB NARROW MEDIA ROHS	
7	11-5552-01	SHIELD RIBBON ROHS	
8	DPO899349	(10PK) BEARING - FLANGED .312	
9	DPO17-3061-01	(2PK) SPRING COMP.30ODX.045WDX.44LG ROHS	
10	DPO10-3084-01	(10PK) WASHER WAVE .312 ID CRES	
11	DPO10-3084-02	(10PK) WASHER WAVE .505 ID CRES	
12	DPO10-3085-05	(25PK) SCRW SH CAP W/ LW M4 X 16 ROHS	
13	DPO10-3018-04	(25PK) WASHER FLAT #8 CRES	
14	DPO10-3085-06	(25PK) SCREW SOC HD CAP W/ LW M4 X 20	
16	DPO10-3085-02	(25PK) SCREW SOC HD CAP W/ LW M4 X 8	
17	DPO10-3015-43	(10PK) SCREW SHC M4X20 CRES W/LKG COMP	
18	32-2528-01	GROUND STRAP ROHS	

Peel Roller Assembly (15-3019-02)



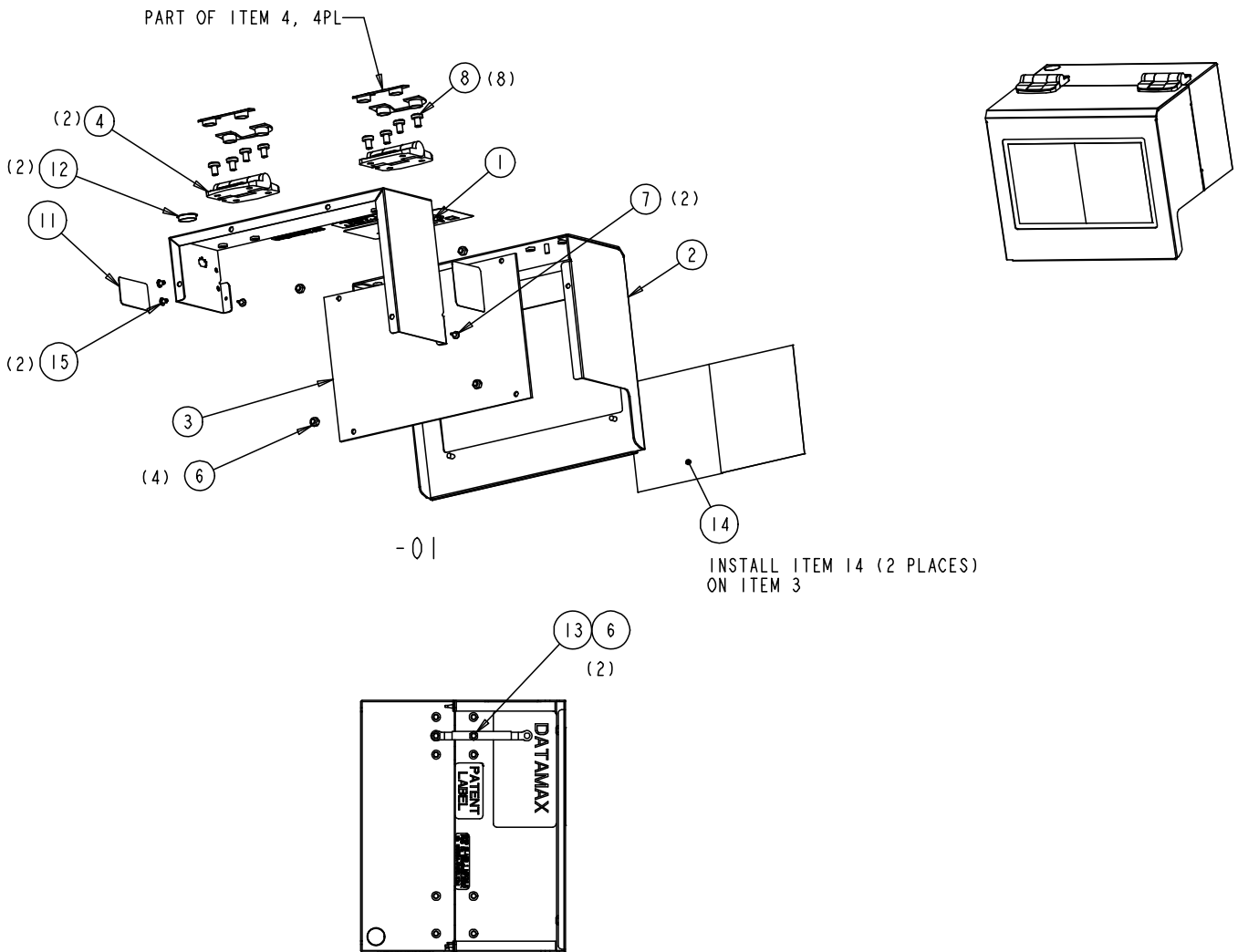
Item	Part Number	Description	Notes
1	13-2405-01	ROLLER PLATEN 4" ROHS	
2	17-3028-01	BEARING FLANGED 440C 3/8X7/8 ROHS	
3	DPO16-2904-01	(2PK) PULLEY TIMING 22 TEETH ROHS	
4	DPO10-3021-07	(25PK) E-RING 3/8 TRUARC CRES	
5	DPO10-3084-03	(5PK) WASHER WAVE .378 ID CRES ROHS	

Take-up Roller Assembly (15-3019-03)



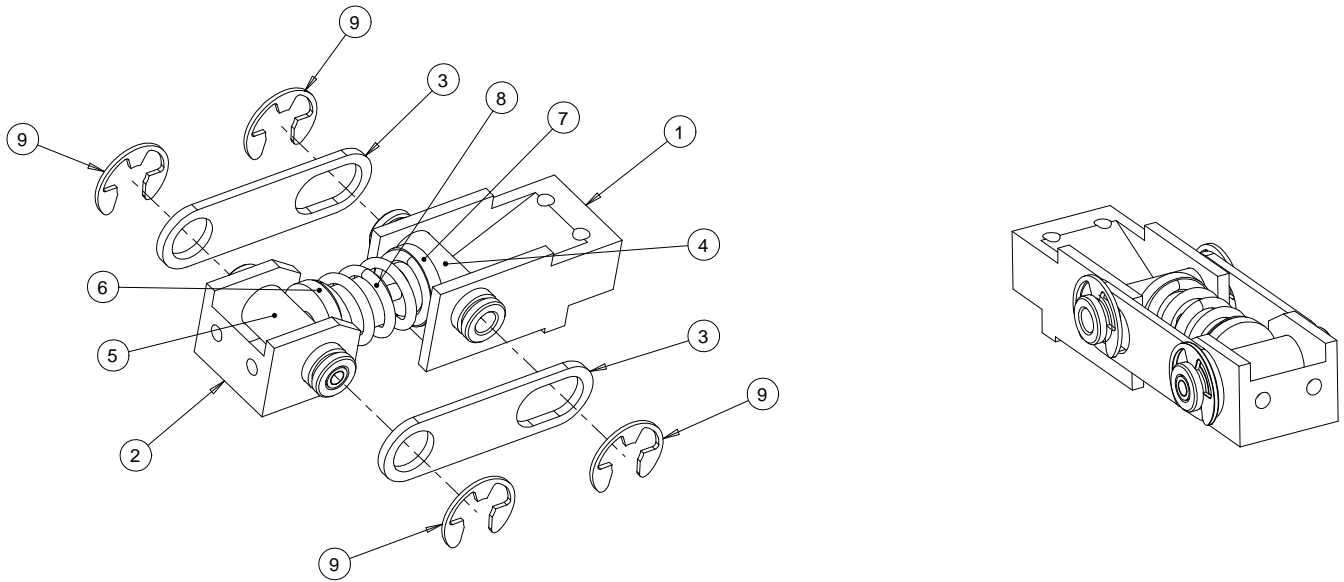
Item	Part Number	Description	Notes
1	13-2405-01	ROLLER PLATEN 4" ROHS	
2	17-3028-01	BEARING FLANGED 440C 3/8X7/8 ROHS	
3	15-3020-01	CLUTCH RIBBON TAKE-UP ROHS	
4	DPO10-3021-07	(25PK) E-RING 3/8 TRUARC CRES ROHS	

Cover Assembly (15-3021-11)



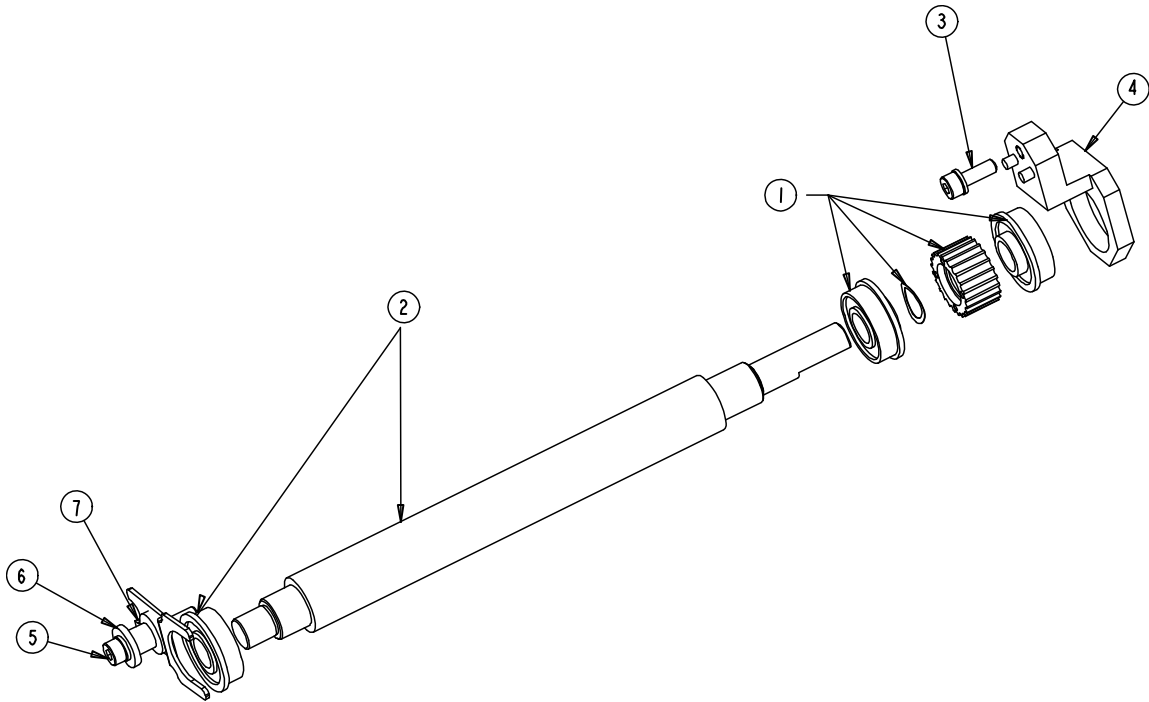
Item	Part Number	Description	Notes
1	11-5533-11	COVER INNER 4" LH ROHS	
2	11-5534-02	COVER OUTER LH ROHS	
3	16-2887-01	WINDOW ROHS	
4	17-3036-01	HINGE ROHS	
6	DPO10-3091-01	(50PK) NUT HEX SELF-LOCKING M4 CRES ROHS	
7	DPO13-2392-01	(10PK) BUMPER PULL THRU ROHS	
8	DPO10-3090-01	(50PK) SCREW PANHEAD M5 X 8 CRES ROHS	
11	14-2835-01	LABEL WARNING ROHS	
12	DPO17-3067-01	(25PK) PLUG 5/8 HOLE ROHS	
13	32-2553-01	GROUND CABLE A-CLASS COVER ROHS	
14	---	TAPE PROTECTIVE ROHS	
15	DPO17-3174-01	(10PK) RIVET NYLON SNAP .135" DIA	
---	78-2831-01	SENSOR OPEN COVER A-CLASS MKII	Not shown

Printhead Pressure Assembly (15-3186-11)



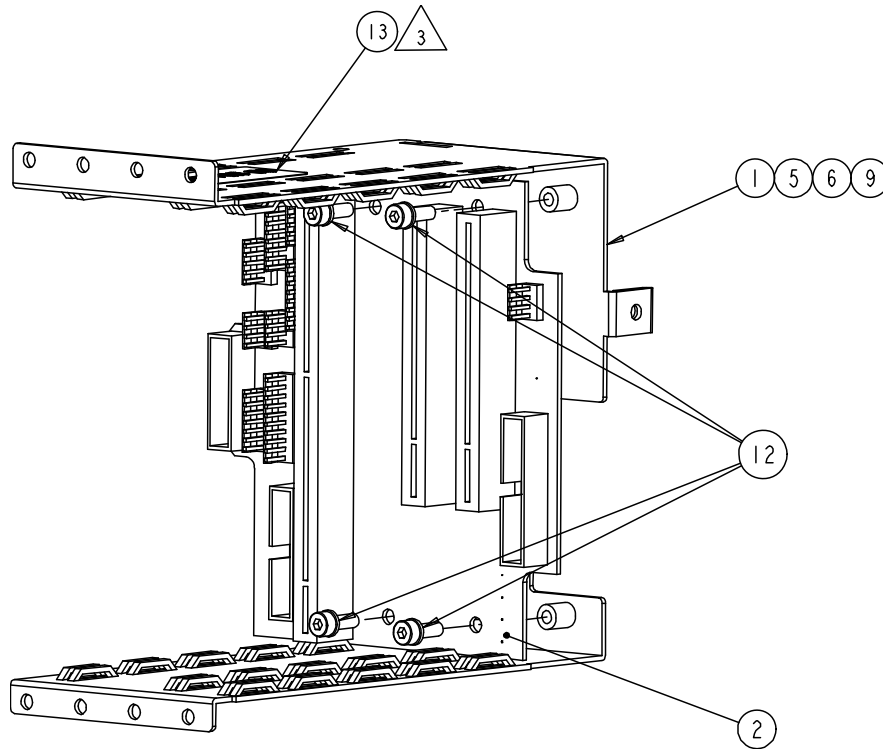
Item	Part Number	Description	Notes
1	12-3229-01	BRACKET PRESSURE LOWER ROHS	
2	12-3485-01	BRACKET PRESSURE UPPER	
3	11-5537-01	RETAINER PRINthead PRESSURE ROHS	
4	12-3486-01	SHAFT PRINthead PRESSURE	
5	15-3187-01	ASSY PIVOT PIN	
6	12-3353-01	SLIDE UPPER ROHS	
7	12-3354-01	SLIDE LOWER ROHS	
8	17-3160-01	SPRING COMPRESSION	
9	DPO10-3021-07	(25PK) E-RING 3/8 TRUARC CRES ROHS	

Platen Roller Removable (15-3215-11)



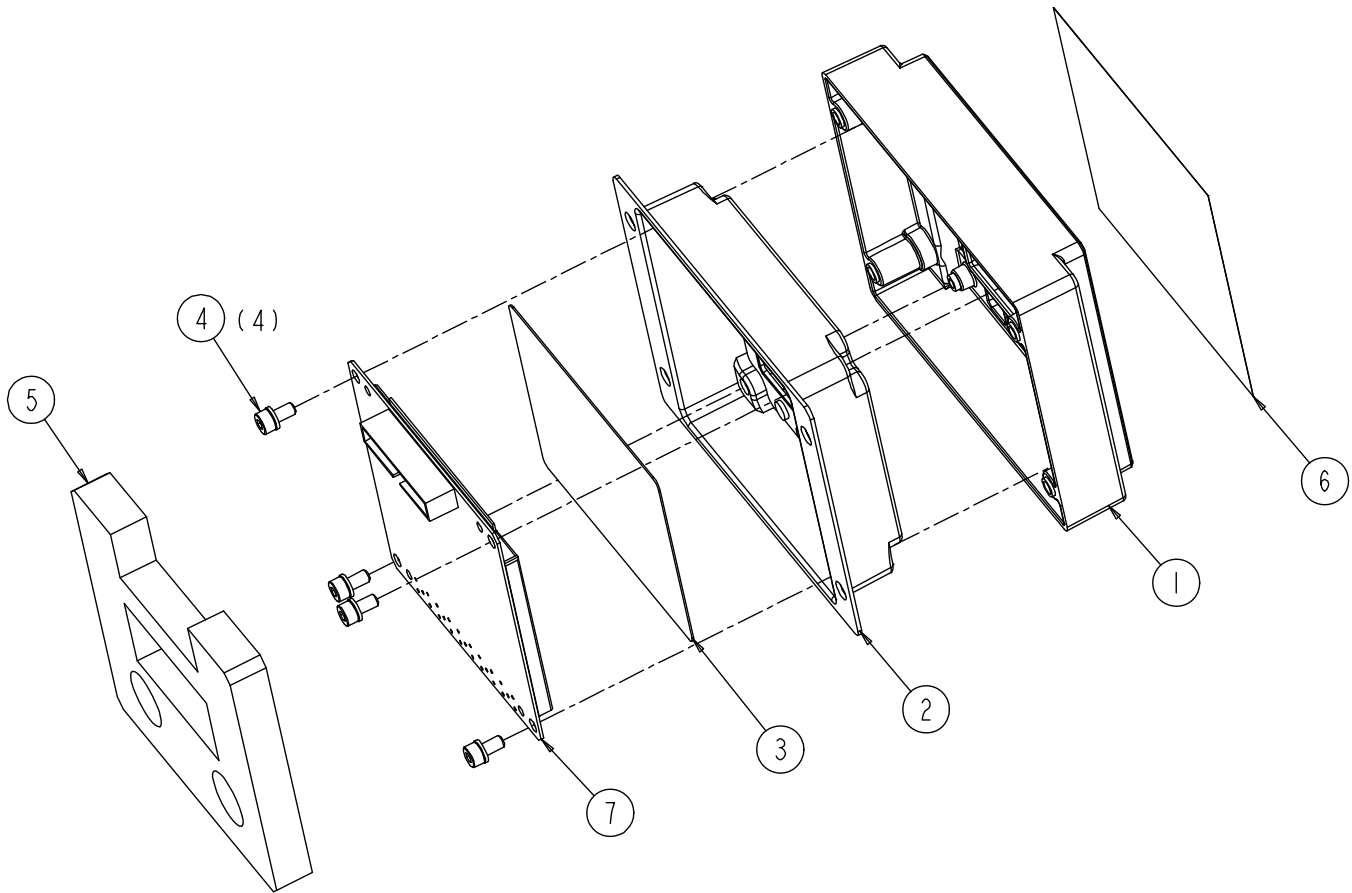
Item	Part Number	Description	Notes
1	15-3218-01	G2 PLATEN PULLEY ASSY	
2	15-3219-01	G2 REMOVABLE PLATEN ROLLER & OUTER BEARING 4"	
3	DPO10-3085-14	(25PK) SCRW SHC W/ LK COMP M4 X 12	
4	12-3491-01	G2 BLOCK BEARING MTG	
5	DPO10-3085-07	(25PK) SCRW SH CAP W/ LW M4 X 25 ROHS	
6	12-3501-01	G2 POST LATCH	
7	11-5783-01	G2 BRACKET BEARING RETAINER	

Card Cage Assembly (24-2685-XX)



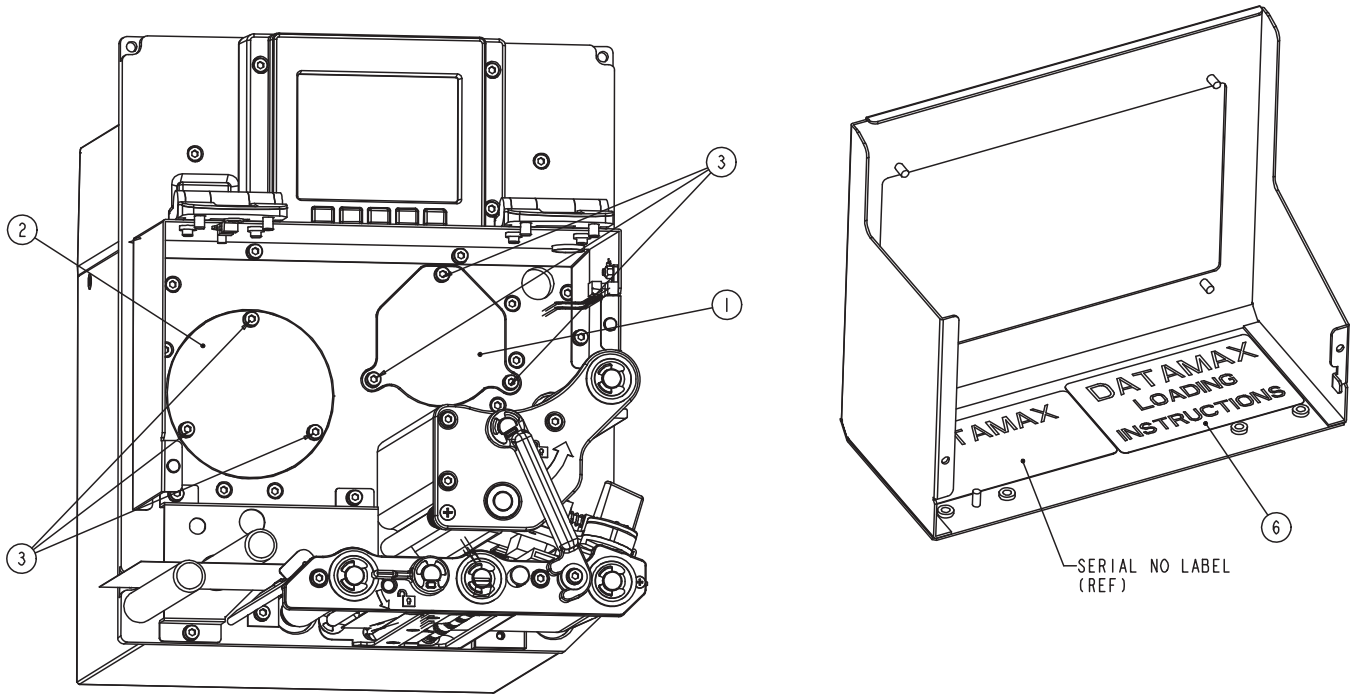
Item	Part Number	Description	Notes
1	11-5682-02	CARD CAGE ROHS	
2	---	A-CLASS G2 BACKPLANE REMOTE READY	Available as part of whole assembly 24-2685-02
	---	A-CLASS G2 BACKPLANE NON REM. RDY.	Available as part of whole assembly 24-2685-01
5	32-2530-01	CABLE ASSY BACK PLANE PWR ROHS	Not shown
6	32-2531-01	CABLE ASSY MOTOR CONTROL ROHS	Not shown
9	32-2540-01	CABLE ASSY. GRAPHICS DISPLAY ROHS	Not shown
	32-2646-01	CABLE ASSY GRAPHICS & REMOTE DISPLAY ROHS	Not shown
12	DPO10-3085-04	(25PK) SCREW SOC HD CAP W/ LW M4 X 12 ROHS	
13	---	LABEL CARD CAGE UL ROHS	
---	DPO10-2626-01	REMOTE READY DISPLAY ONLY – (50PK) SCRW JACK .19 X .19L 4-40THD ROHS	Quantity 2, not shown
---	DPO140028	REMOTE READY DISPLAY ONLY – (50PK) NUT HEX 4-40 W/ TOOTH KEPS ROHS	Quantity 2, not shown

Display Assembly (24-2691-01)



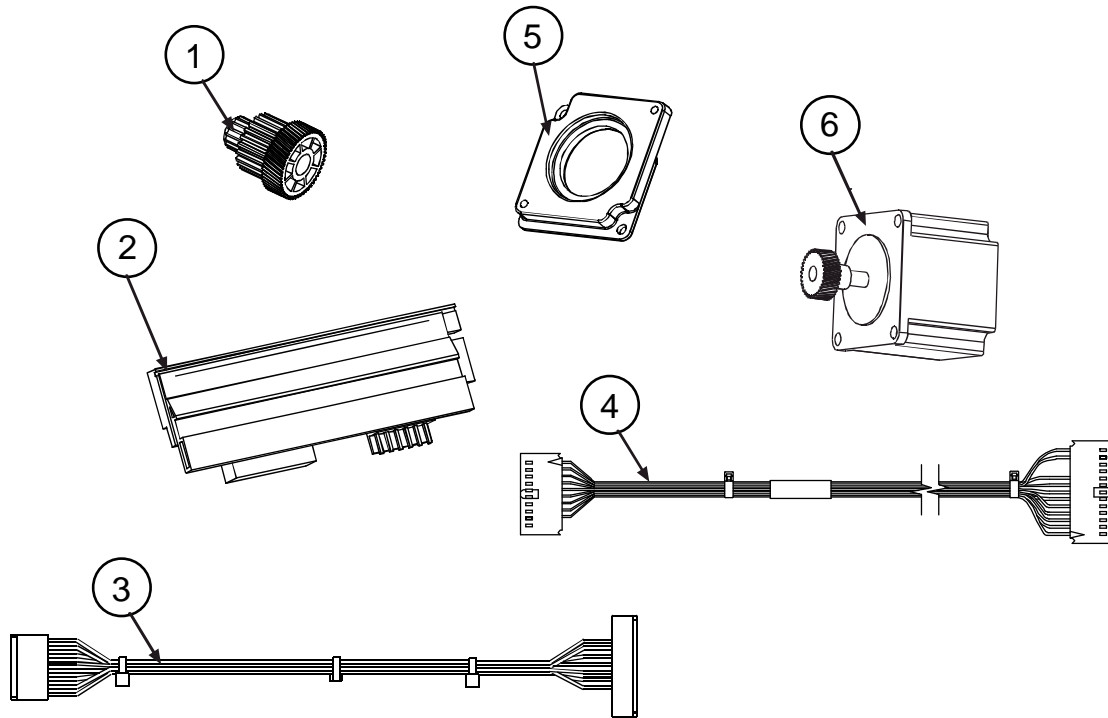
Item	Part Number	Description	Notes
1	12-3270-01	BEZEL DISPLAY ROHS	
2	16-2916-01	KEYPAD 5 BUTTON ROHS	
3	16-2961-01	COVER LCD ROHS	
4	DPO10-3085-02	(25PK) SCRW SH CAP W/ LW M4 X 8 ROHS	
5	DPO13-2425-01	(5PK) FILLER CONTROL PANEL BOOT ROHS	
6	---	TAPE PROTECTIVE ROHS	
7	45-2028-01	A-CLASS G2 DISPLAY 320X240 ALIKEH	

Direct Thermal (78-2474-01)



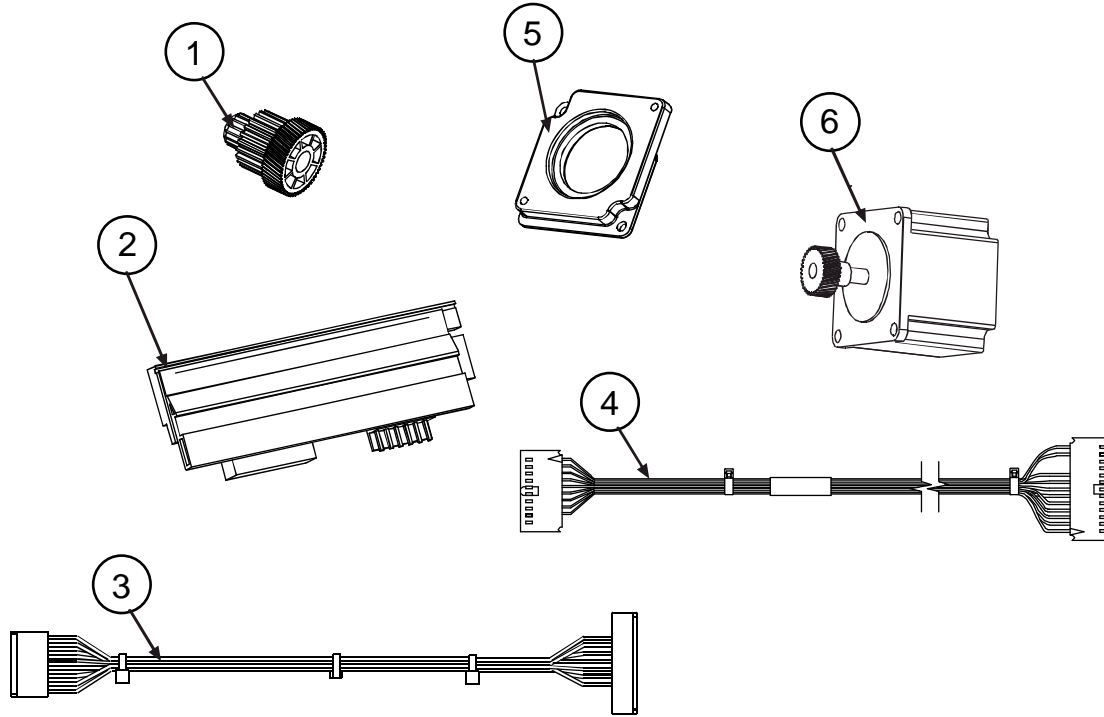
Item	Part Number	Description	Notes
1	11-5584-01	COVER RIBBON TAKE-UP ROHS	
2	11-5585-01	COVER RIBBON SUPPLY ROHS	
3	DPO10-3085-02	(25PK) SCREW SOC HD CAP W/ LW M4 X 8 ROHS	
6	14-2872-03	LABEL LINERLESS LOADING DT ROHS	

Printhead / Pulley Kit, 203DPI



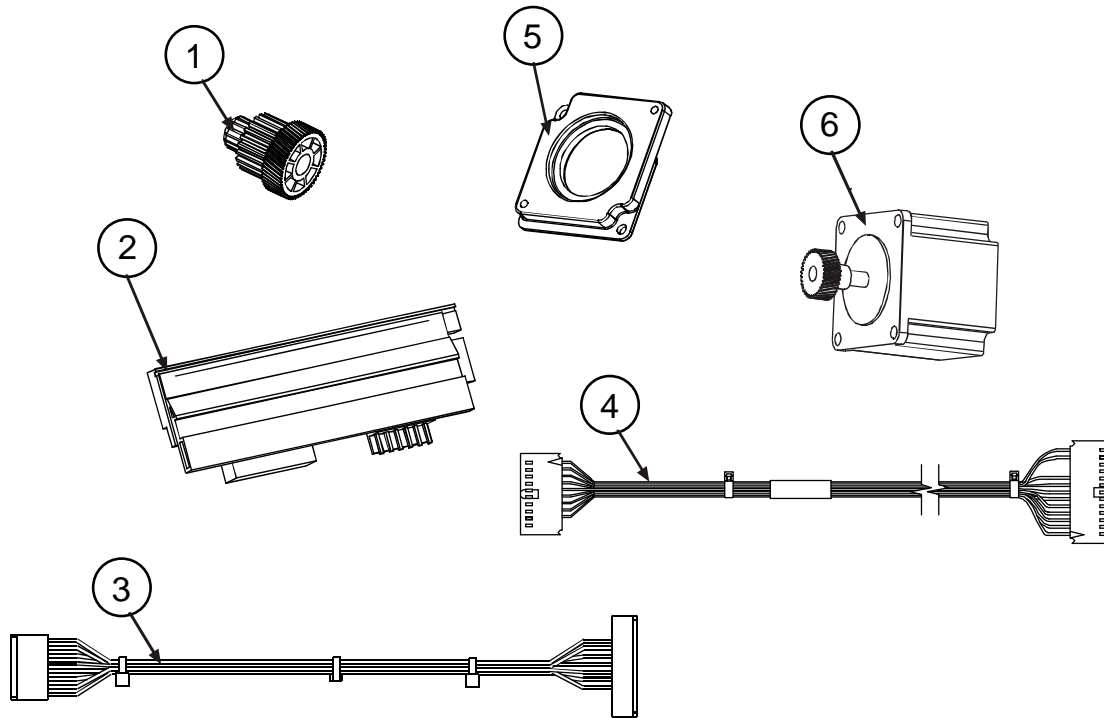
Item	Part Number	Description	Notes
1	15-3117-01	PULLEY COMPOUND 203DPI, ROHS	
2	PHD20-2240-01	PRINthead 203DPI, 4" SMART, ROHS	
3	32-2532-01	CABLE ASSY 4" PRINthead PWR, ROHS	
4	32-2590-02	ASSY, CBL PRINthead DATA 4", ROHS	
5	12-3384-02	SPACER MOTOR MOUNTING ROHS	
6	24-2543-03	STEPPER MOTOR ASSEMBLY, ROHS	
---	DPO10-3085-04	SCRW SH CAP W/ LW M4 X 12 ROHS	Quantity 4, not shown

Printhead / Pulley Kit, 300 DPI



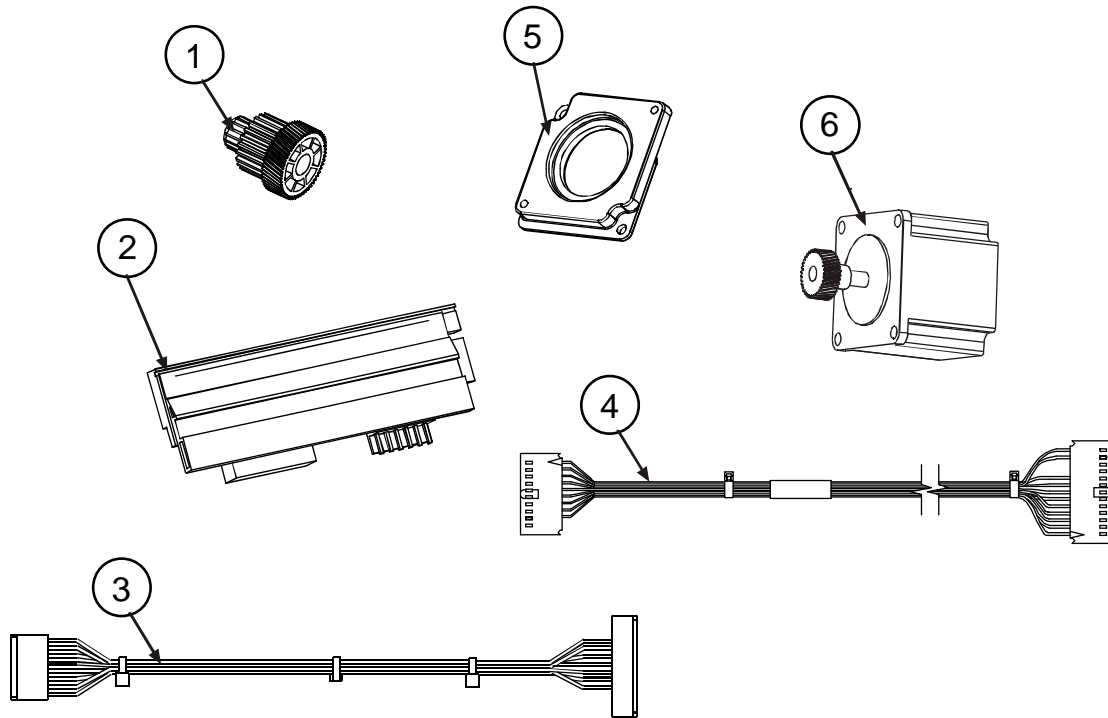
Item	Part Number	Description	Notes
1	15-3118-01	GEAR COMPOUND 300DPI, ROHS	
2	PHD20-2241-01	PRINthead 300DPI, 4" SMART, ROHS	
3	32-2532-01	CABLE ASSY 4" PRINthead PWR, ROHS	
4	32-2590-02	ASSY, CBL PRINthead DATA 4", ROHS	
5	12-3370-01	SPACER MOTOR MOUNTING, ROHS	
6	24-2543-02	STEPPER MOTOR ASSEMBLY, ROHS	
---	DPO10-3085-06	(25PK) SCRw, SH CAP W/LW, M4 X 20, ROHS	Quantity 2, not shown

Printhead / Pulley Kit, 406DPI



Item	Part Number	Description	Notes
1	15-3117-01	PULLEY COMPOUND 203DPI	
2	PHD20-2242-01	PRINthead 400DPI, 4" SMART, ROHS	
3	32-2532-01	CABLE ASSY 4" PRINthead PWR, ROHS	
4	32-2590-02	ASSY, CBL PRINthead DATA 4", ROHS	
5	12-3384-02	SPACER MOTOR MOUNTING ROHS	
6	24-2543-03	STEPPER MOTOR ASSEMBLY, ROHS	
---	DPO10-3085-04	(25PK) SCRw, SH CAP W/LW, M4 X 12, ROHS	Quantity 4, not shown

Printhead / Pulley Kit, 600 DPI



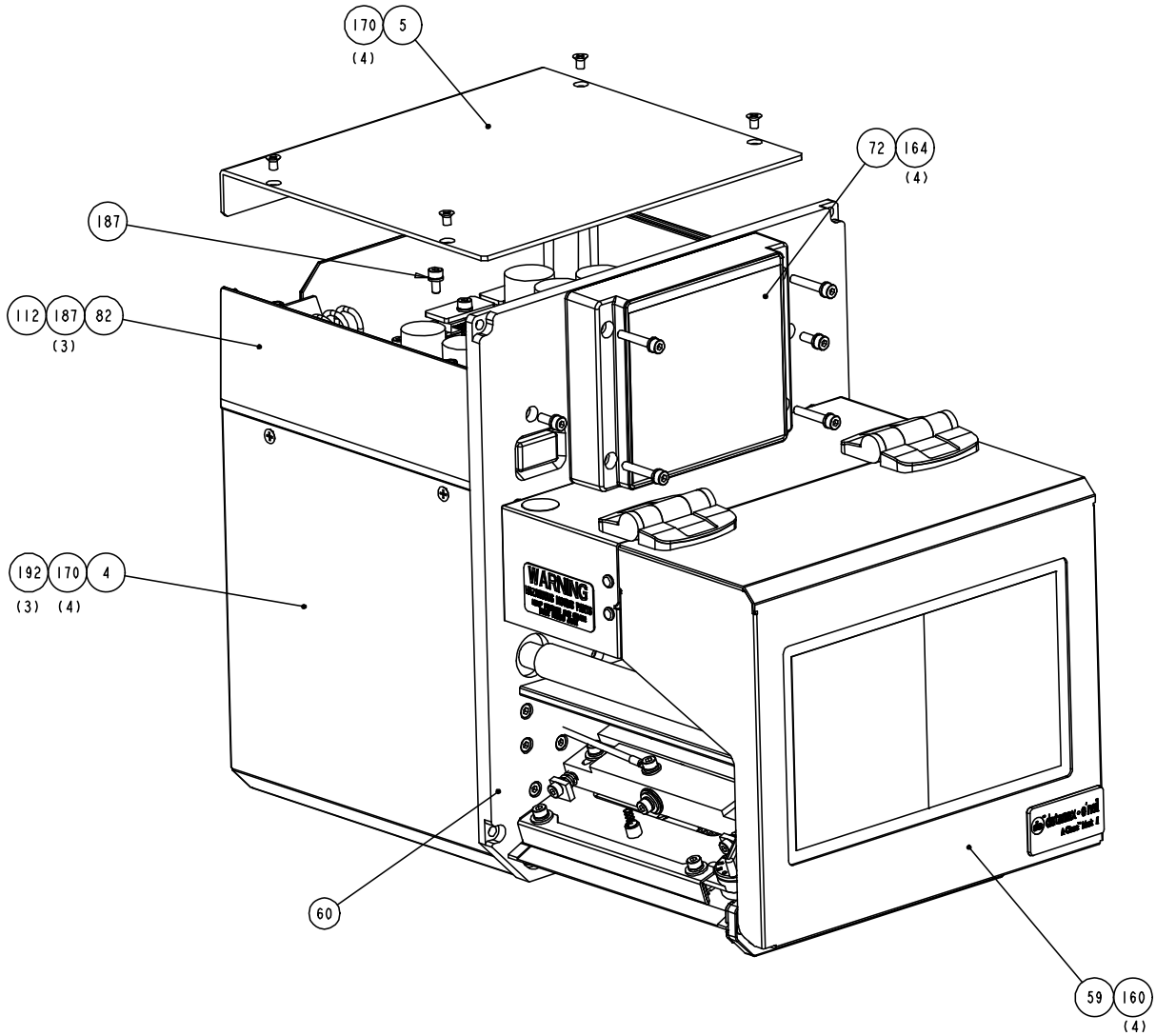
Item	Part Number	Description	Notes
1	15-3118-01	GEAR COMPOUND 300DPI, ROHS	
2	PHD20-2243-01	PRINTHEAD 600DPI, 4" SMART, ROHS	
3	32-2532-01	CABLE ASSY 4" PRINTHEAD PWR, ROHS	
4	32-2590-02	ASSY, CBL PRINTHEAD DATA 4", ROHS	
5	12-3370-01	SPACER MOTOR MOUNTING, ROHS	
6	24-2543-02	STEPPER MOTOR ASSEMBLY, ROHS	
---	DPO10-3085-06	(25PK) SCRW, SH CAP W/LW, M4 X 20, ROHS	Quantity 2, not shown

Six-Inch Left Hand Printer Assemblies:

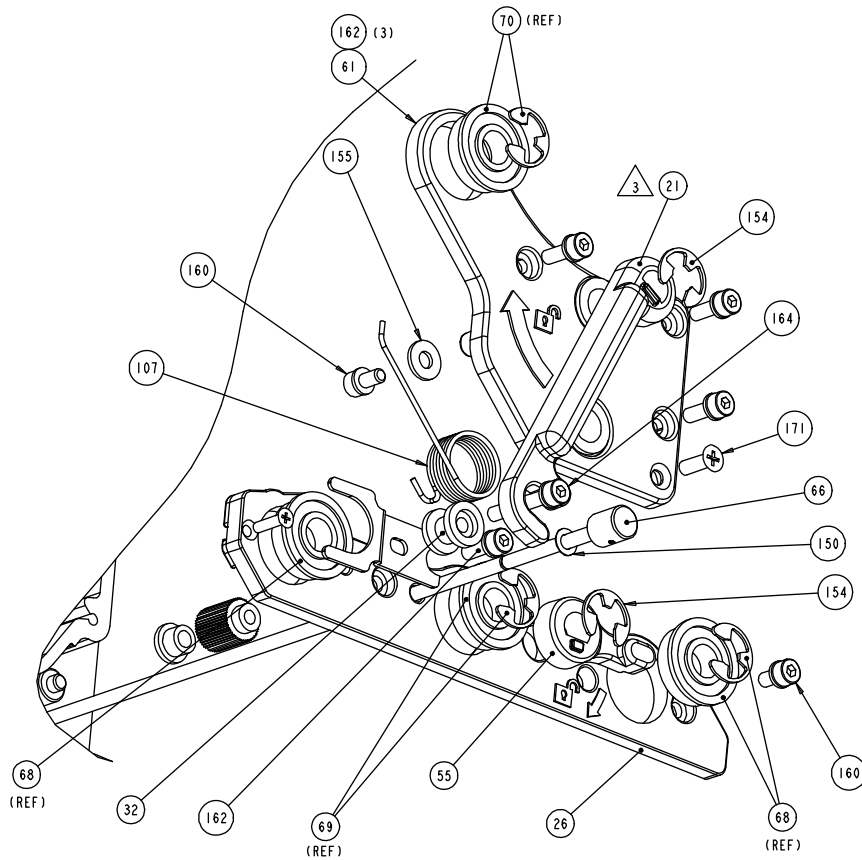
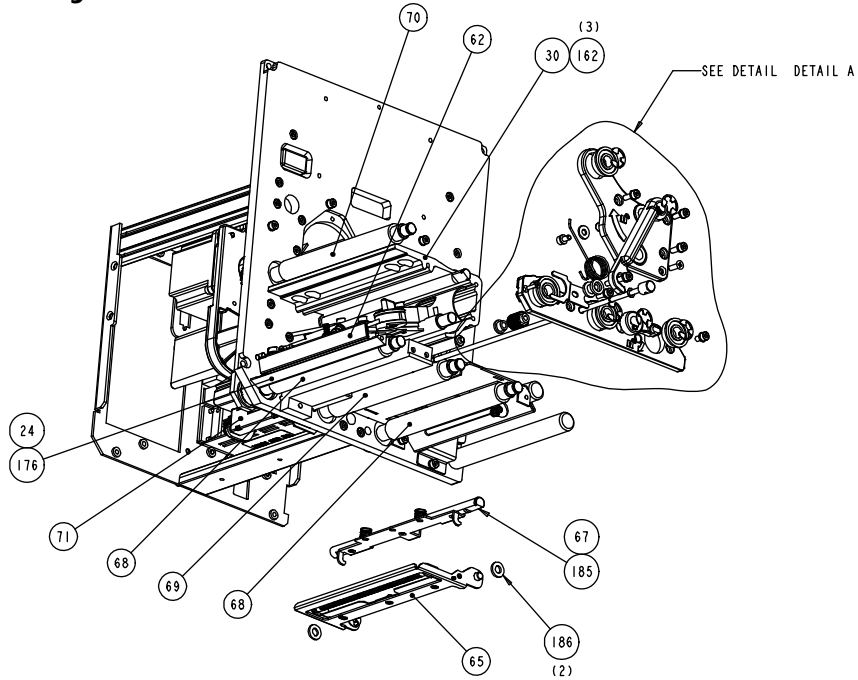
A-6212 Mark II

A-6310 Mark II

Printer Assembly 1 of 6

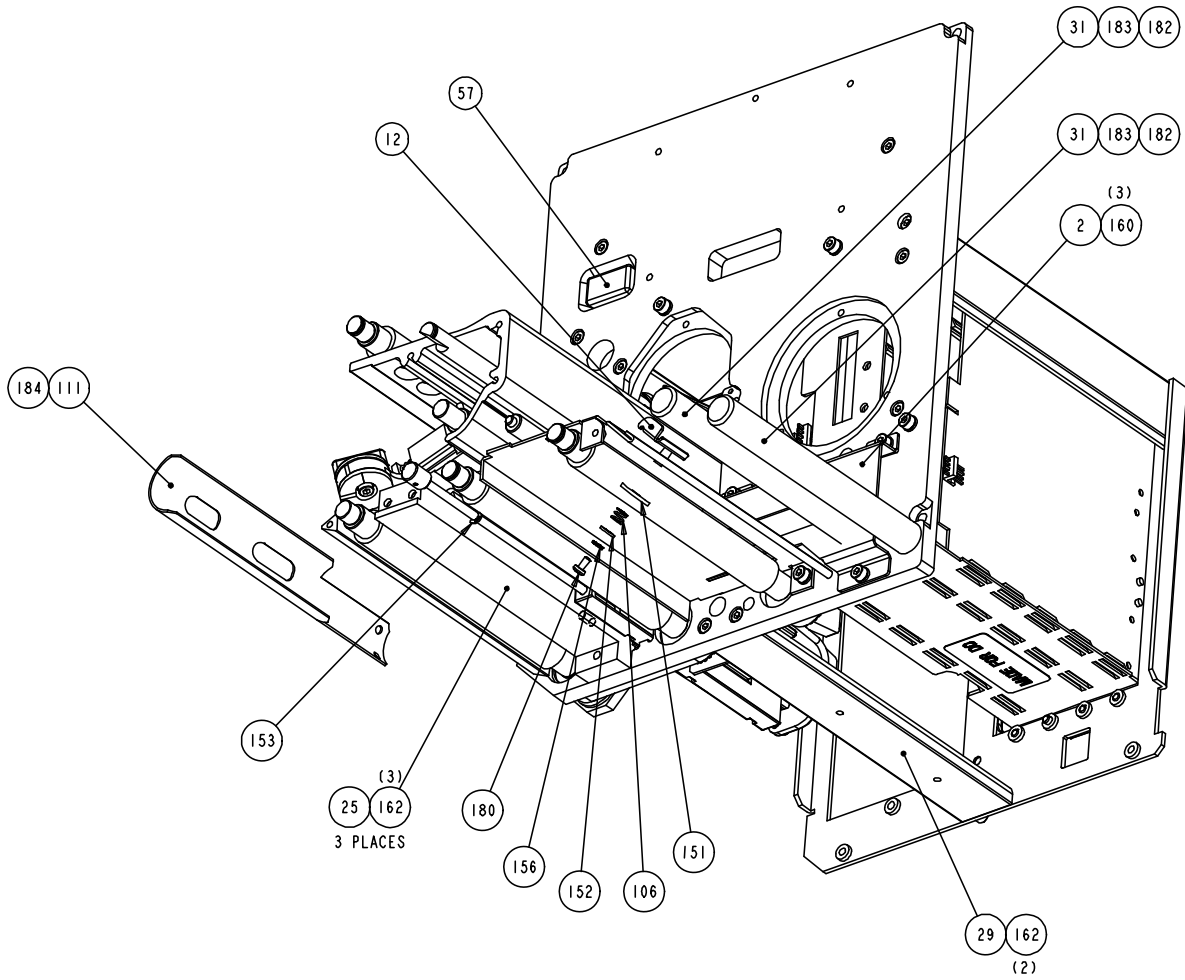


Printer Assembly 2 of 6

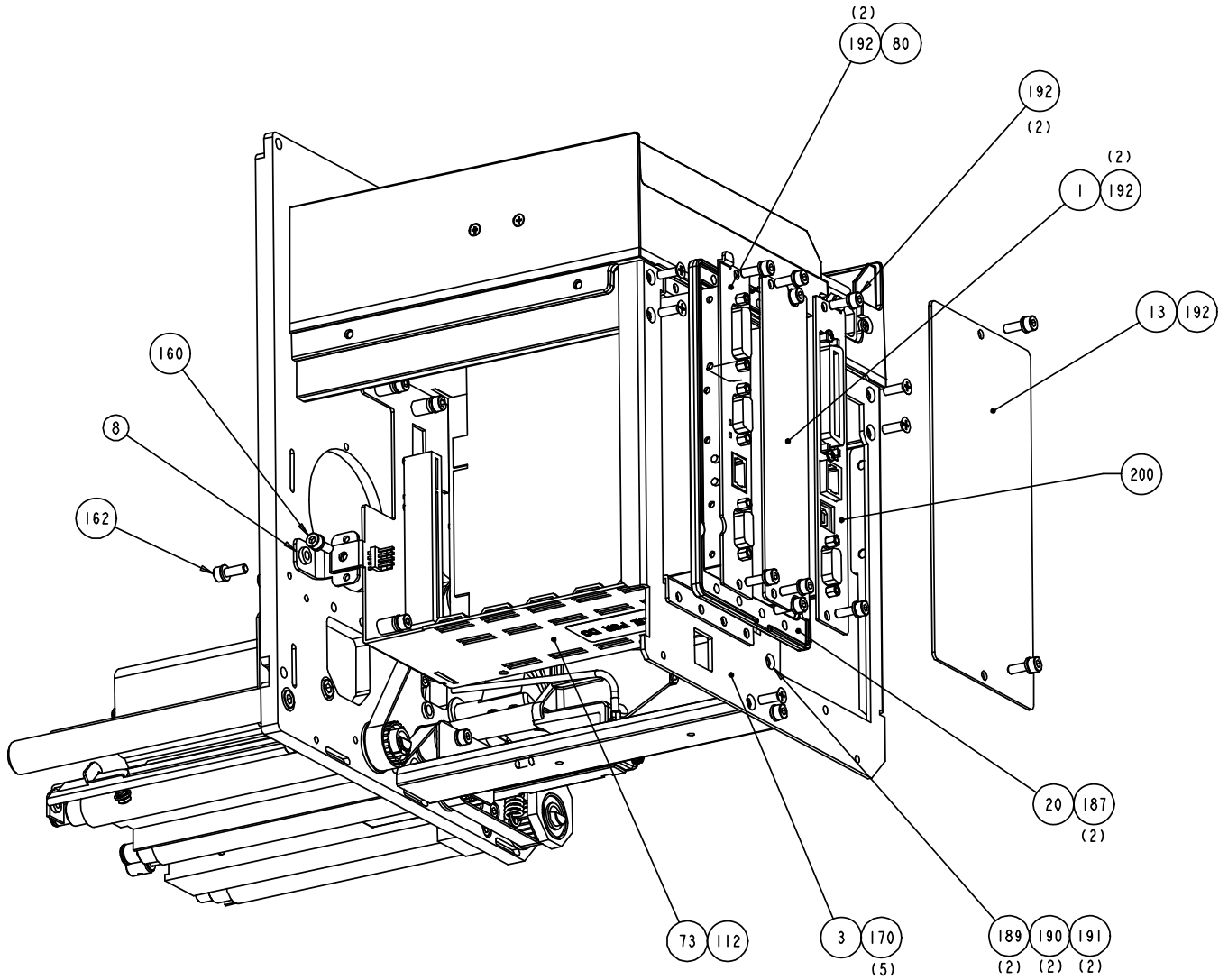


DETAIL DETAIL A
SCALE 1.500

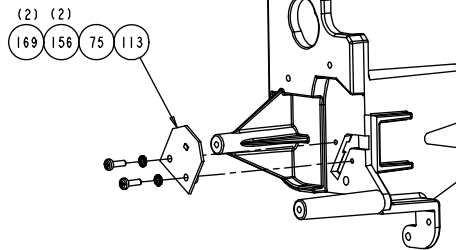
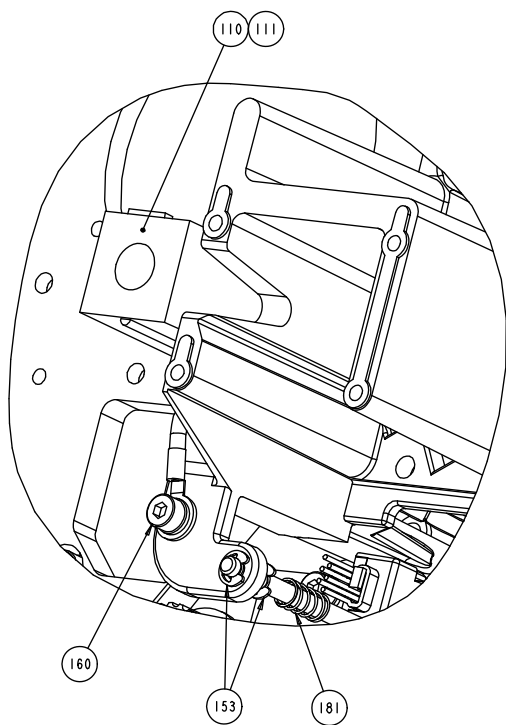
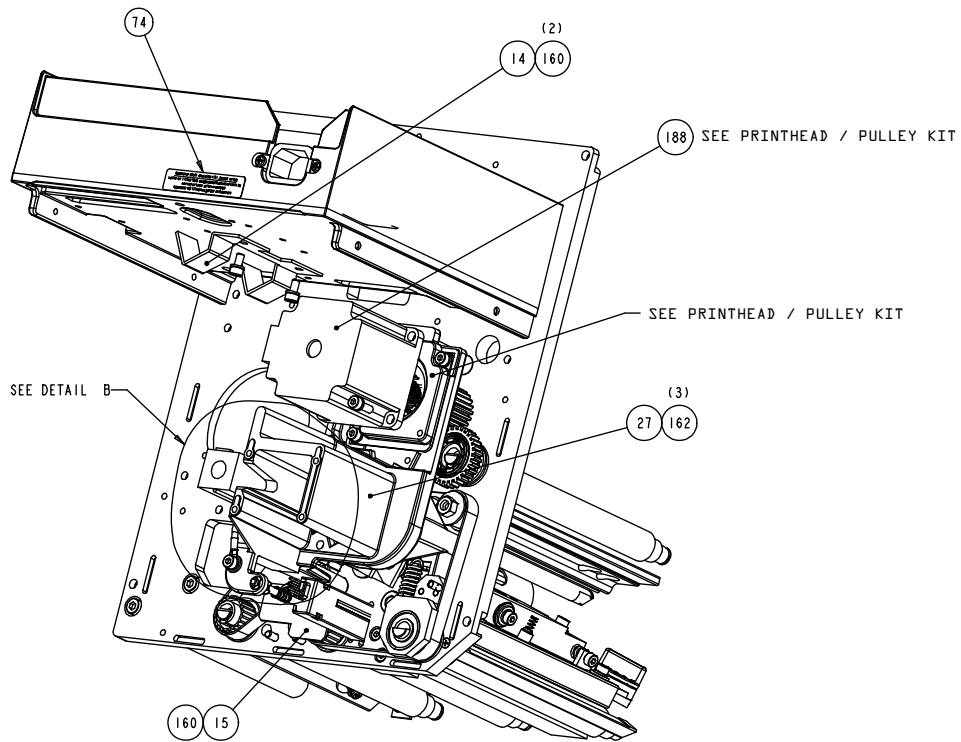
Printer Assembly 3 of 6



Printer Assembly 4 of 6

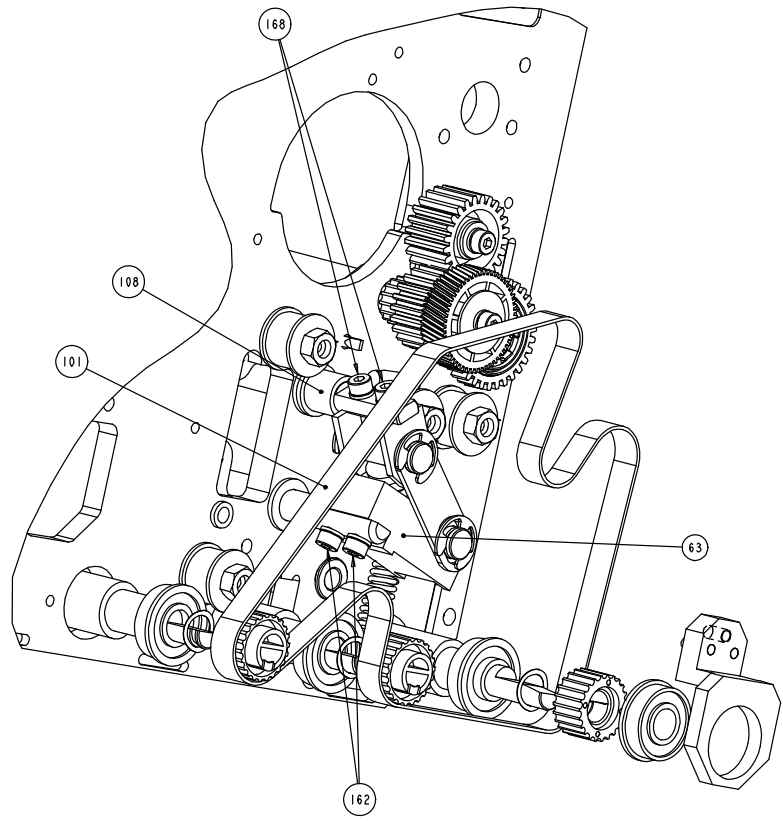
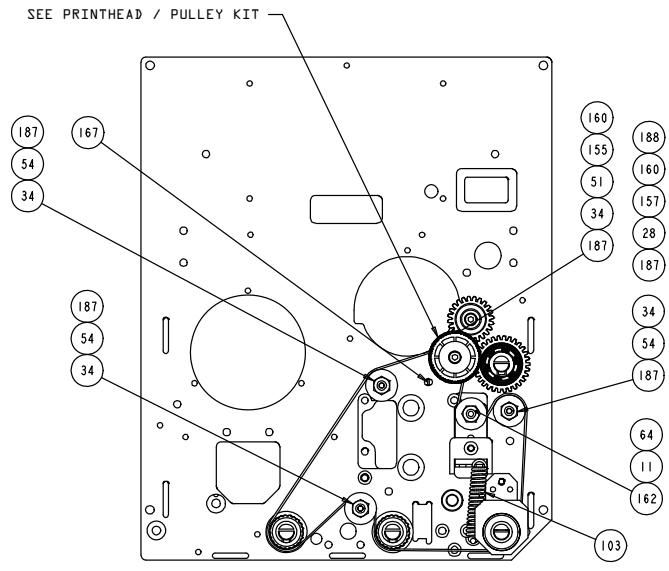


Printer Assembly 5 of 6



DETAIL B
SCALE 2.000

Printer Assembly 6 of 6

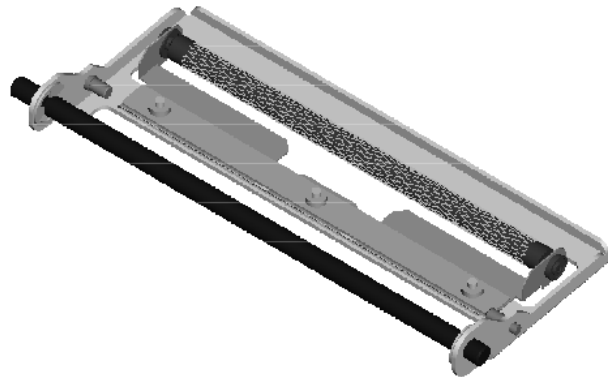
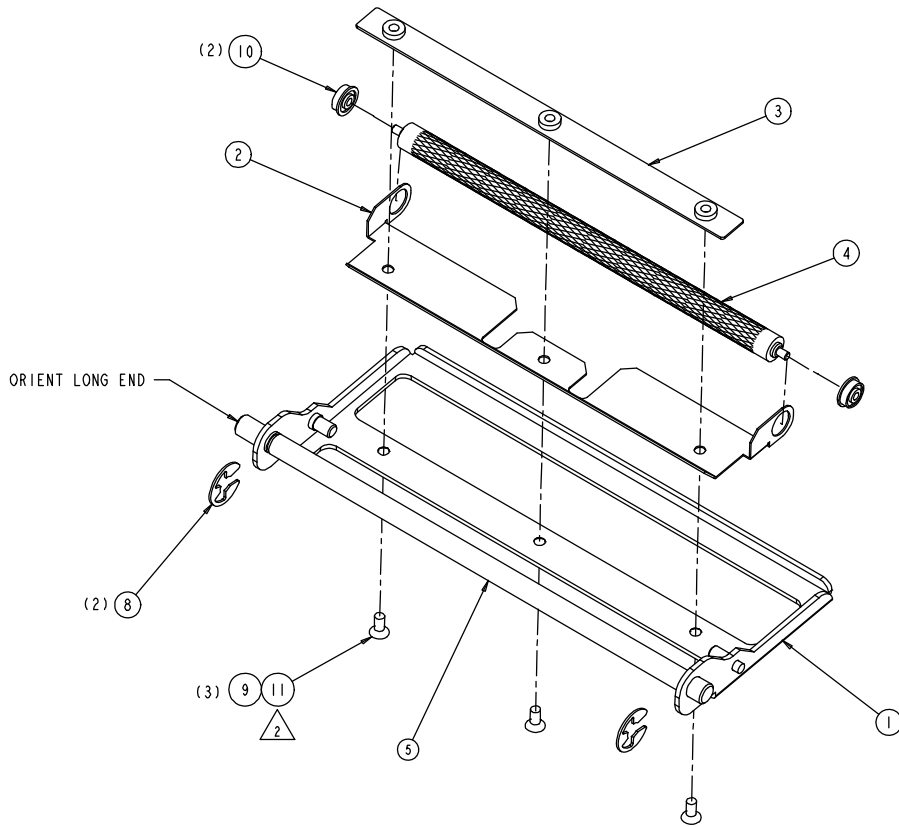


SCALE 1.500

Item	Part Number	Description	Notes
1	11-5279-01	PLATE COVER EXPANSION ROHS	
	11-5771-01	PLATE REAR WIRELESS ONLY	See option
2	11-5790-02	G2 GUIDE MEDIA LH W/PINCH ROLLER	
3	11-5780-02	G2 PLATE REAR MEMORY CARD LH	
4	11-5786-02	G2 COVER REAR W/O MEMORY CARD LH	
	11-5779-02	G2 COVER REAR WITH MEMORY CARD LH	
5	11-5531-01	COVER TOP ROHS	
6	11-5791-12	G2 PLATE LOWR 6" LH W/PINCH ROL PIN	
8	11-5577-01	SUPPORT CARD CAGE ROHS	
11	11-5570-01	PLATE NUT ROHS	
12	11-5536-02	GUIDE MEDIA ADJUSTABLE LH ROHS	
13	11-5427-01	PLATE COVER ROHS	
	11-5785-01	G2 PLATE COVER REMOTE DISPLAY	See assembly details
14	11-5602-01	BRACKET RETAINER CABLE ROHS	
15	11-5603-01	COVER CABLE ROHS	
20	12-3342-01	PLATE MOUNTING CARD CAGE ROHS	
21	12-3255-02	HANDLE LATCH LH ROHS	
22	12-3052-03	SHAFT RIBBON IDLER ROHS	
23	12-3217-02	SHAFT LATCH PRINthead 6" ROHS	
24	12-3488-02	BAR PEEL 6" ROHS	
25	12-3244-02	BLOCK SUPPORT PLATEN 6" ROHS	
26	12-3214-02	PLATE SIDE LOWER LH ROHS	
	12-3498-02	G2 PLATE SIDE LWR LH WITH PINCH ROLLER	
27	12-3286-02	BRACKET SUPPORT MOTOR LH ROHS	
28	12-3432-01	POST IDLER ROHS	
29	12-3221-01	BLOCK SUPPORT REAR ROHS	
30	12-3215-02	SUPPORT CENTER ROHS	
31	12-3254-02	POST MEDIA 6" ROHS	
32	12-3221-02	G2 BLOCK SUPPORT REAR W/MEMRY CARD	
33	DPO12-3051-01	(5PK) CAM IDLER RIBBON ROHS	
34	12-3219-01	POST ILDER ROHS	
51	DPO16-2935-01	(2PK) GEAR IDLER ROHS	
54	15-3119-01	PULLEY ASSEMBLY ROHS	
55	16-2924-04	HANDLE LATCH ROHS	
57	DPO16-2950-01	(5PK) COVER SWITCH - PROTECTIVE ROHS	
59	15-3021-12	COVER ASSEMBLY 6" LH ROHS	
60	15-3220-02	G2 CENTERPLATE ASSEMBLY LH	
61	15-3015-02	UPPER SIDE PLATE ASSY LH ROHS	
62	15-2977-12	ASSY 6" LH PRINthead ROHS	See assembly details
63	15-3186-12	PH PRESS ASSY 6" LH ROHS	See assembly details
64	15-2970-01	TENSION ASSY ROHS	
65	15-2974-12	LOWER PINCH ROLLER ASSY 6" LH ROHS	See assembly details
66	15-2976-02	ASSY THREADED ROD ROHS	
67	15-2975-12	G2 LH 6" LATCH ASSEMBLY ROHS	See assembly details
68	15-3215-12	G2 LH REMOVABLE PLATEN ROLLER ASSY 6"	See assembly details
69	15-3019-12	PLATEN ROLLER ASSY 6" PEEL ROHS	See assembly details
70	15-3019-13	PLATEN ROLLER ASSY 6" TAKE-UP ROHS	See assembly details
71	DPO24-2604-01	(2PK) MEDIA SENSOR ASSEMBLY ROHS	
72	24-2691-01	G2 DISPLAY ASSEMBLY ROHS	See assembly details

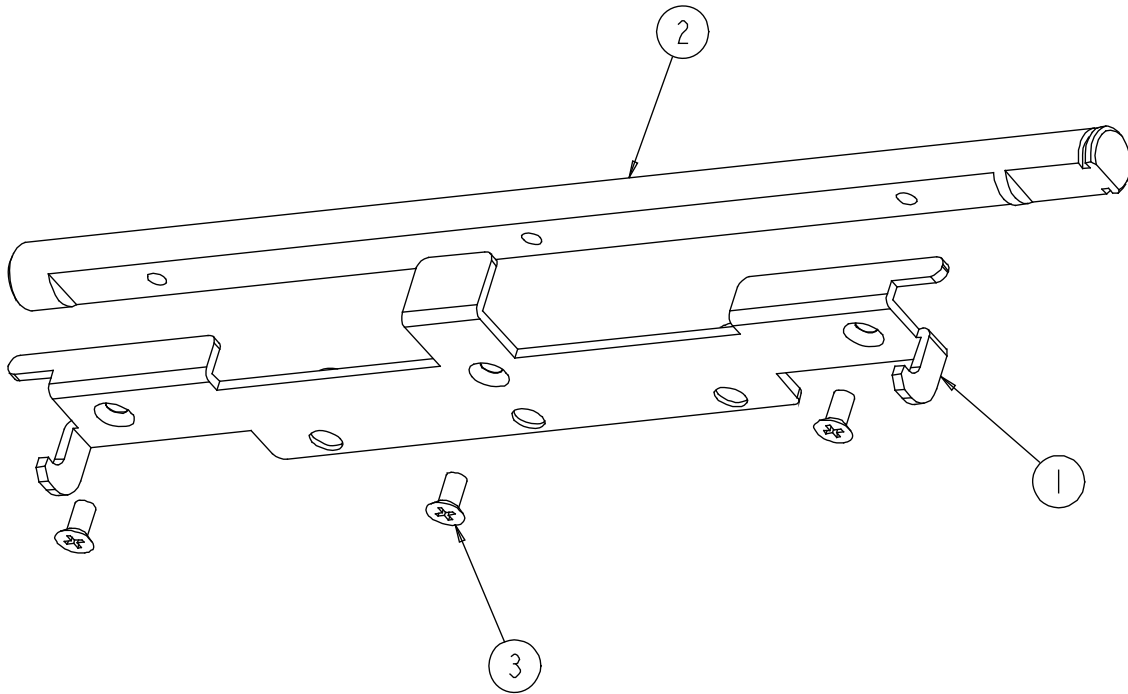
Item	Part Number	Description	Notes
73	24-2685-01	G2 CARD CAGE ASSY NON-REMOTE	See assembly details
	24-2685-02	G2 CARD CAGE ASSY REMOTE READY	See assembly details
74	---	EARTHED SOCKET-OUTLET LABEL COMPACT	
75	51-2434-00	CCA HEAD HOME HALL EFF. ROHS	
80	DPO51-2404-10	(1/PK) CCA,APPLICATOR	
82	24-2617-01	POWER SUPPLY ASSEMBLY ROHS	
101	17-2987-01	BELT TIMING 184 T 3MM HTD ROHS	
103	17-3094-01	SPRING EXTENSION ROHS	
105	DPO17-2816-01	(10PK) BUSHING FLAN .1895X.314X1/4L ROHS	
106	DPO17-3064-01	(5PK) SPRING COMP.24ODX.032WDX.375 ROHS	
107	17-3078-02	SPRING TORSION LH 6" ROHS	
108	DPO17-3011-01	(10PK) BUSHING FLANGED ROHS	
109	DPO17-3067-01	(25PK) PLUG 5/8 HOLE ROHS	
110	DPO44-2060-01	(2PK) ASSY FERRITE ROHS	
111	---	TYWRAP 8" ROHS	
112	---	TIE TWIST LOCK ROHS	
113	---	TYWRAP 4" ROHS	
150	DPO899325	(50PK) SPACER ROHS	
151	DPO10-3152-01	(5PK) WASHER FLAT .175 IDX.626 OD X.062T	
152	DPO10-2518-01	(50PK) WASHER FLAT SS ROHS	
153	DPO10-3021-03	(25PK) RING RETAINING 5/32 CRES ROHS	
154	DPO10-3021-07	(25PK) E-RING 3/8 TRUARC CRES ROHS	
155	DPO10-3018-04	(25PK) WASHER FLAT #8 CRES ROHS	
156	DPO10-3093-01	(25PK) WASHER M3 EXT TOOTH LOCK CRES	
157	DPO10-3136-01	(5PK) WASH FLT .172ID X .75OD X .04 ROHS	
160	DPO10-3085-02	(25PK) SCREW SOC HD CAP W/ LW M4 X 8 ROHS	
162	DPO10-3085-04	(25PK) SCREW SOC HD CAP W/ LW M4 X 12 ROHS	
164	DPO10-3085-07	(25PK) SCREW SOC HD CAP W/ LW M4 X 25 ROHS	
167	DPO17-2962-01	(50PK) CLIP ARROW ROHS	
168	DPO10-3085-03	(25PK) SCREW SOC HD CAP W/ LW M4 X 10 ROHS	
169	DPO10-3092-03	(50PK) SCREW PHP M3 X 10MM CRES	
170	DPO10-3066-01	(25PK) SCREW FLAT HEAD SS M4 X 6 ROHS	
171	DPO10-3066-04	(25PK) SCREW FLAT HEAD SS M4 X 12 ROHS	
175	DPO10-3088-04	(25PK) SCREW FLATHEAD CRES M3 X 12 ROHS	
176	DPO10-3088-05	(25PK) SCREW FLATHEAD CRES M3 X 14 ROHS	
180	DPO10-3092-01	(25PK) SCREW PHP M3 X 6MM CRES	
181	DPO17-3046-01	(5PK) SPRING COMPRESSION ROHS	
182	DPO10-3096-03	(50PK) WASHER SPLIT LOCK M5 CRES	
183	DPO10-3097-01	(20PK) SCREW SOCKET HD SET M5 X 12 CRES	
184	13-2422-02	RETAINER PRINT HD CABLE ROHS	
185	DPO17-3065-01	(2PK) SPRING COMP .36ODX.035WDX.75 ROHS	
186	DPO10-3105-01	(50PK) WASHER FLAT .44 ODX .26 IDX.047THK	
187	DPO10-3085-14	(25PK) SCREW SHC W/ LK COMP M4 X 12 ROHS	
188	---	GREASE SILCONE ROHS	
189	DPO10-3066-03	(50PK) SCREW FLAT HEAD SS M4 X 10 ROHS	
190	DPO10-3019-04	(50PK) WASHER SPLIT LOCK #8 CRES ROHS	
191	DPO10-3016-02	(50PK) NUT HEX M4 SS ROHS	
192	DPO10-3085-24	(5PK) SCRW SHC W/ VIBRA-TITE M4 X 12 ROHS	
200	DPO78-2802-01	CCA MAIN W/LAN ROHS	

Lower Pinch Roller Assembly (15-2974-12)



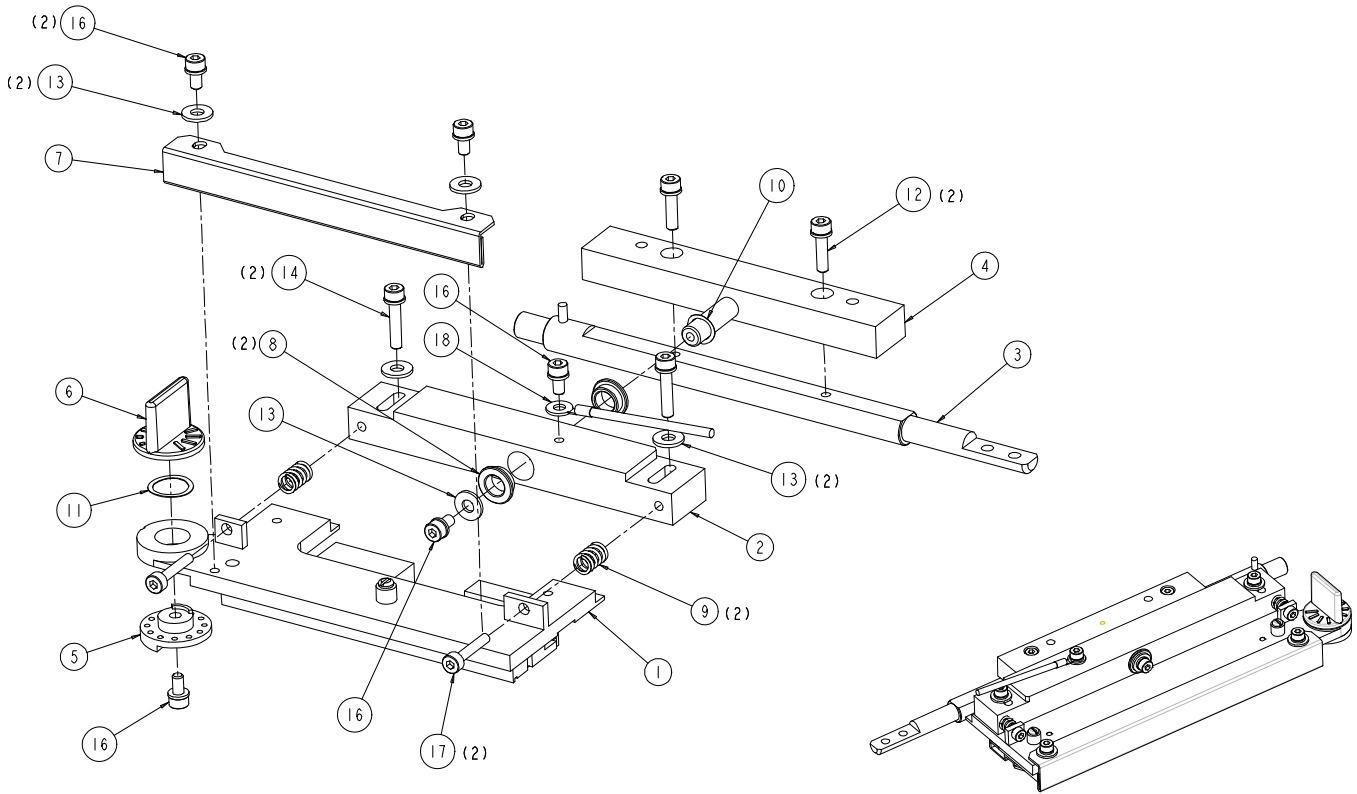
Item	Part Number	Description	Notes
1	15-3183-02	ASSY 6" PINCH ROLLER FRAME ROHS	
2	11-5256-02	SPRING FLAT ROHS	
3	11-5599-02	SCREW PLATE 6" ROHS	
4	12-3295-02	ROLLER PINCH 6" ROHS	
5	12-2574-02	SHAFT HINGE ROHS	
8	DPO10-3021-05	(20PK) E-RING 1/4 TRUARC CRES ROHS	
9	DPO10-3088-07	(25PK) SCREW FLATHEAD CRES M3 X 5 ROHS	
10	17-2856-01	BEARING BALL FL .0937 X .3125 ROHS	
11	---	LOCTITE 242 ROHS	

Latch Assembly (15-2975-12)



Item	Part Number	Description	Notes
1	11-5578-02	LATCH 6" ROHS	
2	12-3280-02	SHAFT LATCH PIVOT ROHS	
3	DPO10-3088-01	(25PK) SCREW FLATHEAD CRES M3 X 6 ROHS	

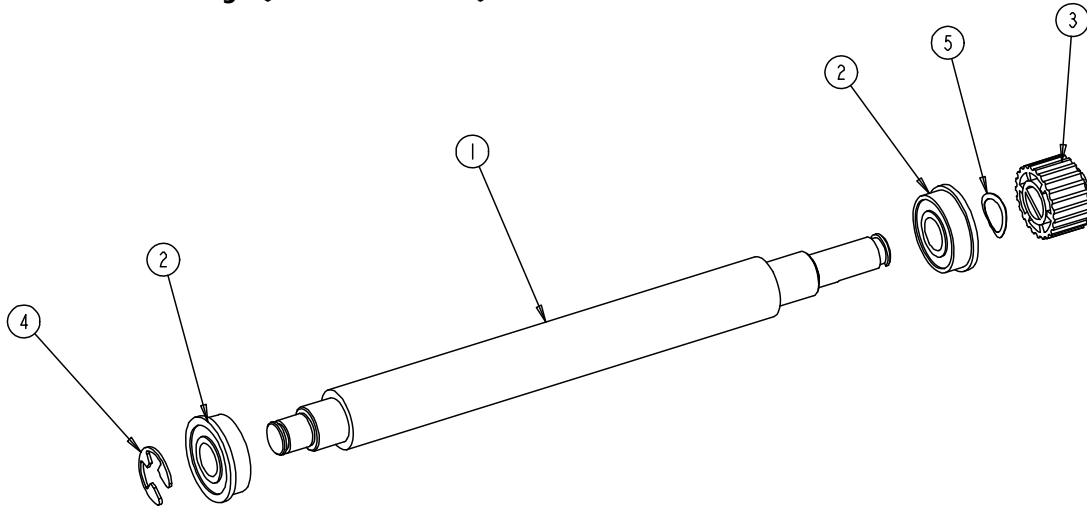
Printhead Assembly (15-2977-12)



-12 VERSION

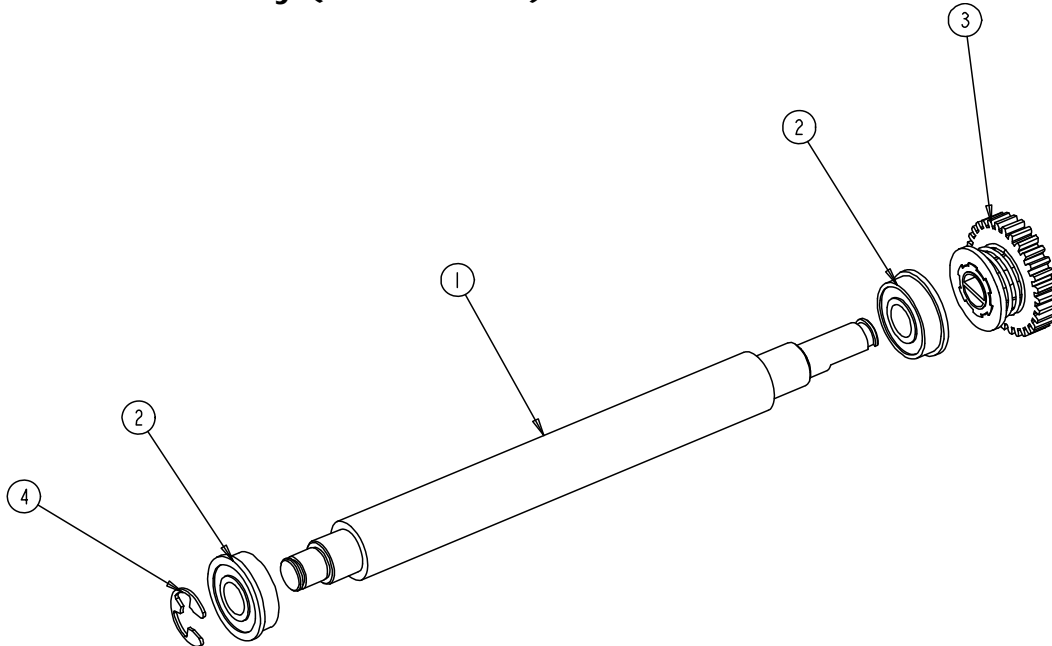
Item	Part Number	Description	Notes
1	15-3105-01	ASSY 6" LH PRINthead MOUNT ROHS	
2	12-3267-04	PIVOT 6" PRINthead ROHS	
3	12-3233-04	SHAFT PRINthead MOUNT ROHS	
4	12-3266-01	PLATE PRINthead ADAPTER ROHS	
5	DPO16-2906-01	(2PK) CAM NARROW MEDIA ROHS	
6	16-2907-01	KNOB NARROW MEDIA ROHS	
7	11-5552-02	SHIELD RIBBON ROHS	
8	DPO899349	(10PK) BEARING - FLANGED .312 ROHS	
9	DPO17-3075-01	(2PK) SPRING COMP.30ODX.045WDX.56 ROHS	
10	DPO10-3084-01	(10PK) WASHER WAVE .312 ID CRES	
11	DPO10-3084-02	(10PK) WASHER WAVE .505 ID CRES	
12	DPO10-3085-05	(25PK) SCRW SH CAP W/ LW M4 X 16 ROHS	
13	DPO10-3018-04	(25PK) WASHER FLAT #8 CRES	
14	DPO10-3085-06	(25PK) SCREW SOC HD CAP W/ LW M4 X 20	
16	DPO10-3085-02	(25PK) SCREW SOC HD CAP W/ LW M4 X 8	
17	DPO10-3015-43	(10PK) SCREW SHC M4X20 CRES W/LKG COMP	
18	32-2528-01	GROUND STRAP ROHS	

Peel Roller Assembly (15-3019-12)



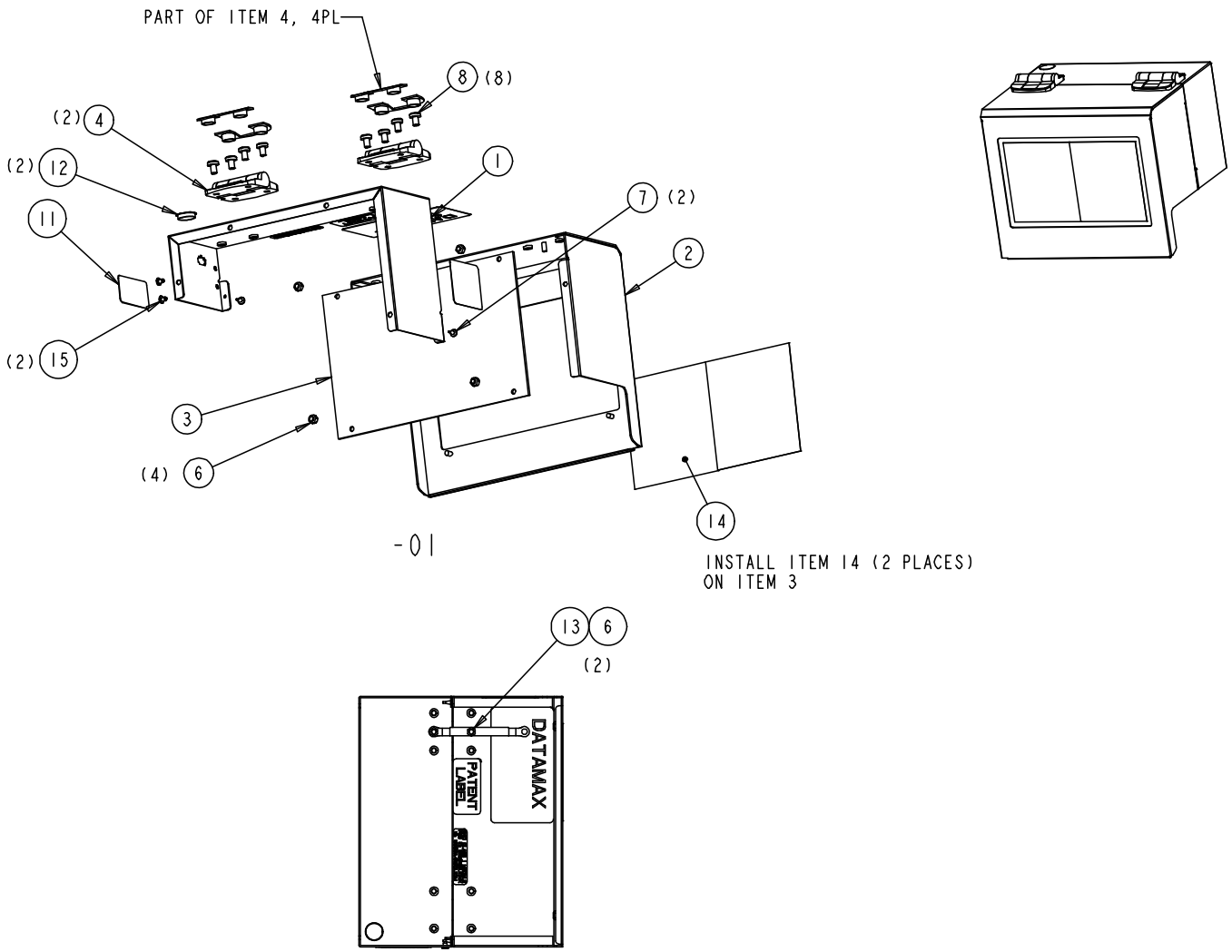
Item	Part Number	Description	Notes
1	13-2405-02	ROLLER PLATEN 6" ROHS	
2	17-3028-01	BEARING FLANGED 440C 3/8X7/8 ROHS	
3	DPO16-2904-01	(2PK) PULLEY TIMING 22 TEETH ROHS	
4	DPO10-3021-07	(25PK) E-RING 3/8 TRUARC CRES	
5	DPO10-3084-03	(5PK) WASHER WAVE .378 ID CRES ROHS	

Take-up Roller Assembly (15-3019-13)



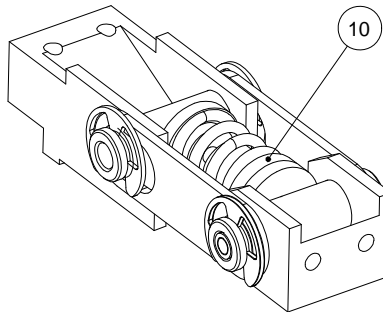
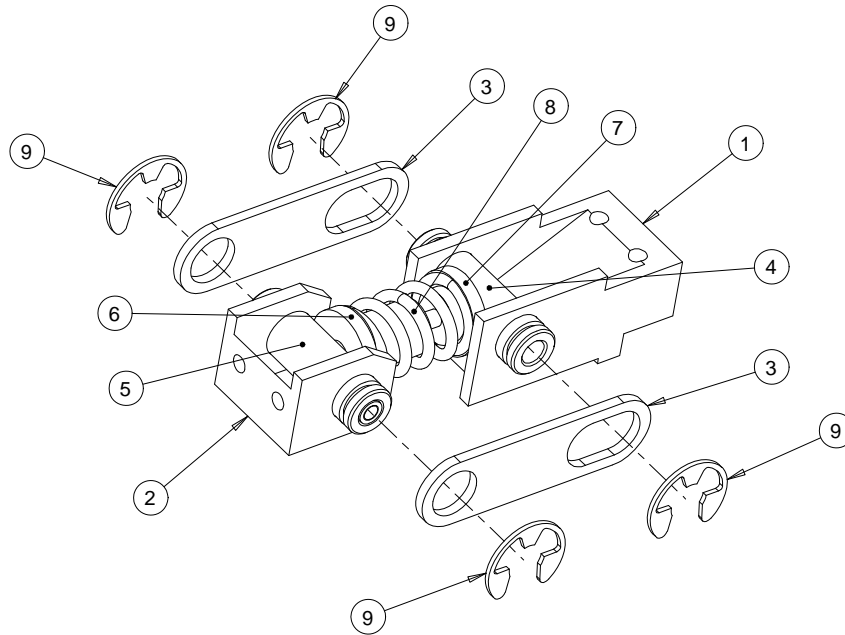
Item	Part Number	Description	Notes
1	13-2405-02	ROLLER PLATEN 6" ROHS	
2	17-3028-01	BEARING FLANGED 440C 3/8X7/8 ROHS	
3	15-3020-01	CLUTCH RIBBON TAKE-UP ROHS	
4	DPO10-3021-07	(25PK) E-RING 3/8 TRUARC CRES ROHS	

Cover Assembly (15-3021-12)



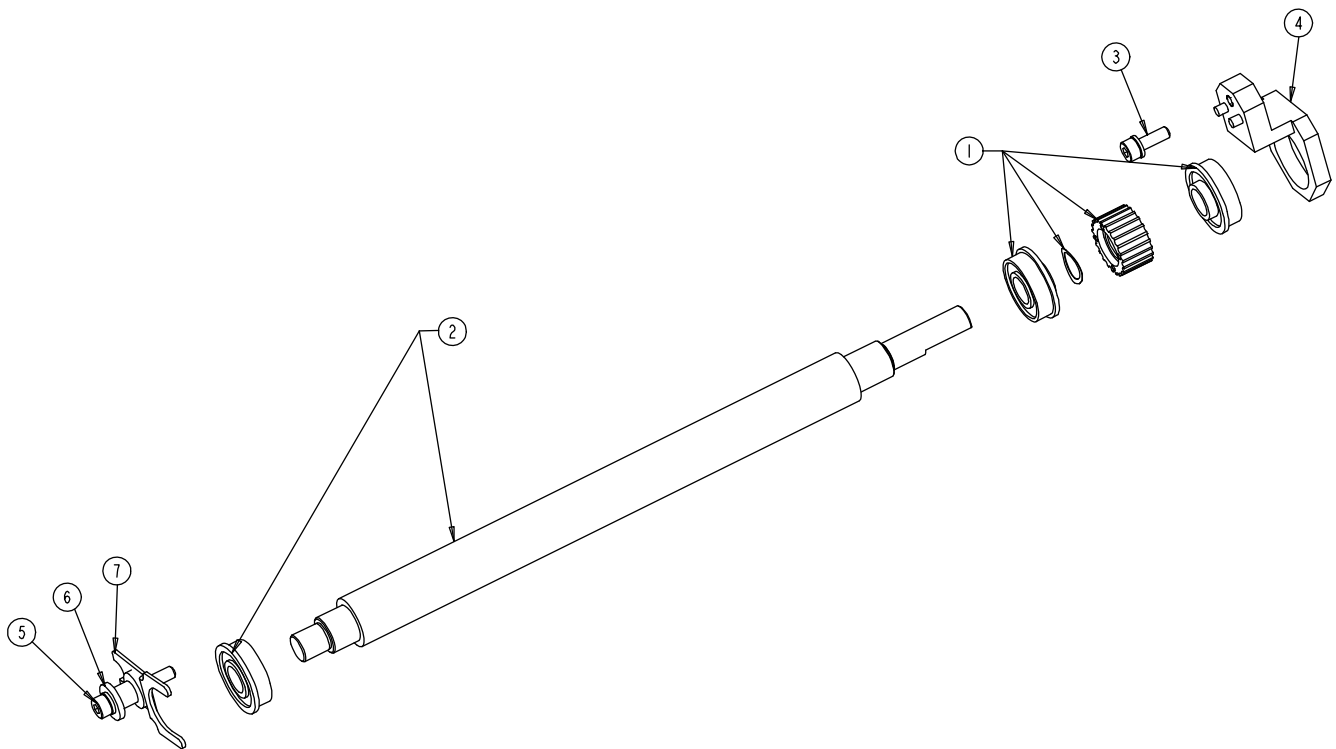
Item	Part Number	Description	Notes
1	11-5533-12	COVER INNER 6" LH ROHS	
2	11-5534-02	COVER OUTER LH ROHS	
3	16-2887-01	WINDOW ROHS	
4	17-3036-01	HINGE ROHS	
6	DPO10-3091-01	(50PK) NUT HEX SELF-LOCKING M4 CRES ROHS	
7	DPO13-2392-01	(10PK) BUMPER PULL THRU ROHS	
8	DPO10-3090-01	(50PK) SCREW PANHEAD M5 X 8 CRES ROHS	
11	14-2835-01	LABEL WARNING ROHS	
12	DPO17-3067-01	(25PK) PLUG 5/8 HOLE ROHS	
13	32-2553-01	GROUND CABLE A-CLASS COVER ROHS	
14	---	TAPE PROTECTIVE ROHS	
15	DPO17-3174-01	(10PK) RIVET NYLON SNAP .135" DIA	
---	78-2831-01	SENSOR OPEN COVER A-CLASS MKII	Not shown

Printhead Pressure Assembly (15-3186-12)



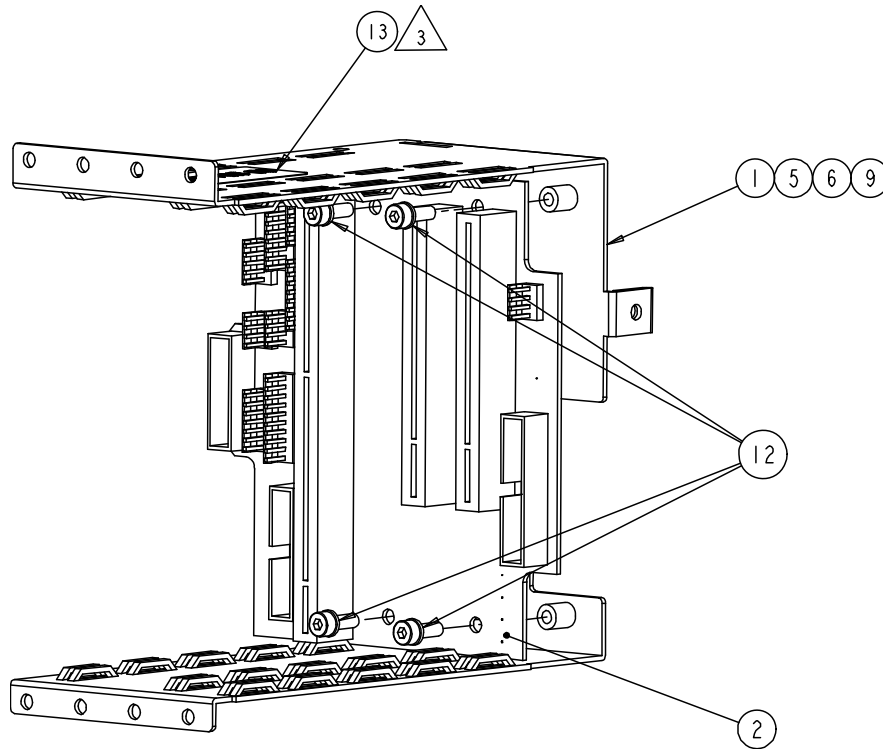
Item	Part Number	Description	Notes
1	12-3229-01	BRACKET PRESSURE LOWER ROHS	
2	12-3485-01	BRACKET PRESSURE UPPER	
3	11-5537-01	RETAINER PRINTHEAD PRESSURE ROHS	
4	12-3486-01	SHAFT PRINTHEAD PRESSURE	
5	15-3187-01	ASSY PIVOT PIN	
6	12-3353-01	SLIDE UPPER ROHS	
7	12-3354-01	SLIDE LOWER ROHS	
8	17-3160-01	SPRING COMPRESSION	
9	DPO10-3021-07	(25PK) E-RING 3/8 TRUARC CRES ROHS	
10	16-3005-01	SPACER PH PRESSURE ROHS	

Platen Roller Removable (15-3215-12)



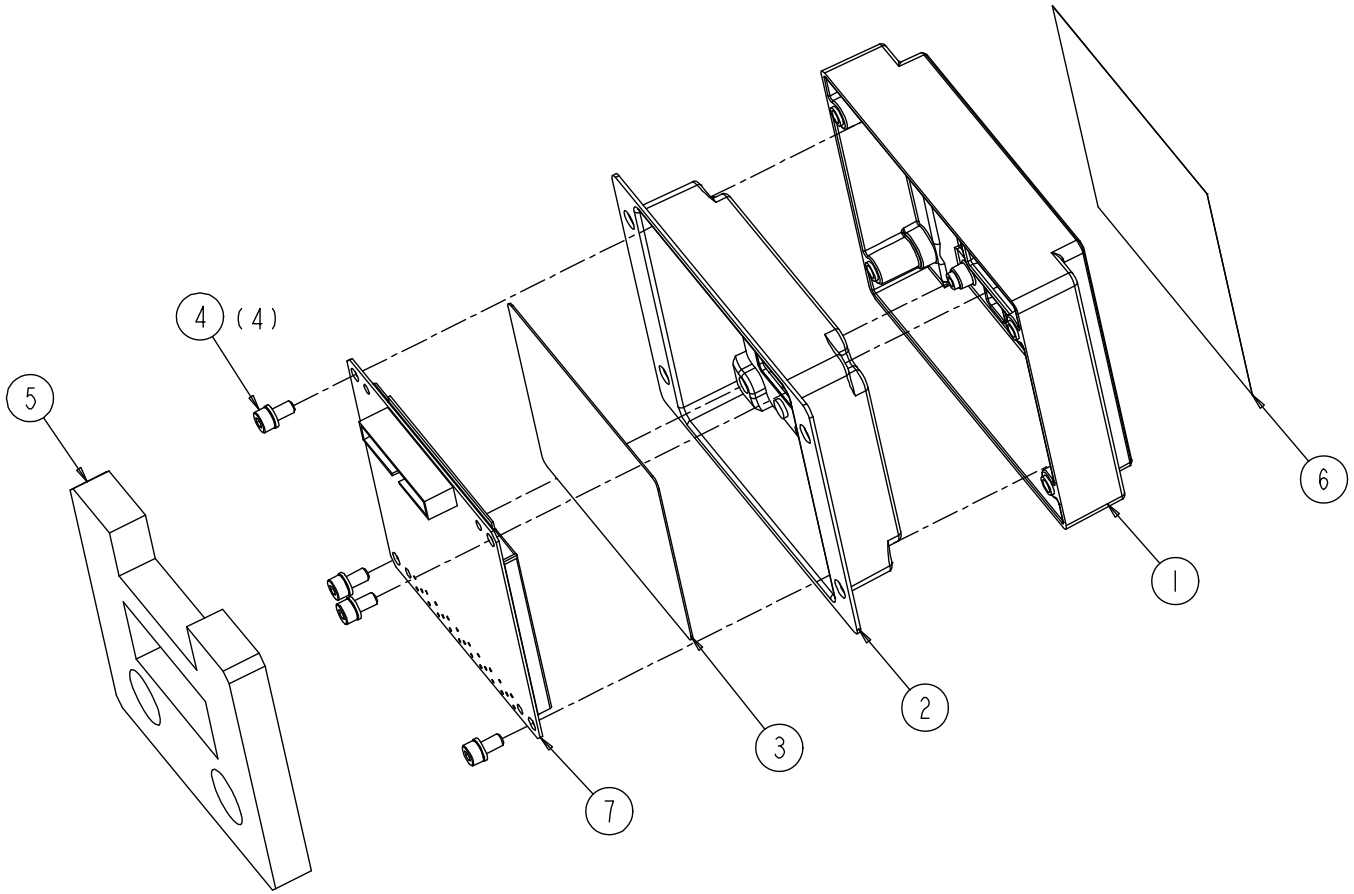
Item	Part Number	Description	Notes
1	15-3218-01	G2 PLATEN PULLEY ASSY	
2	15-3219-02	G2 REMOVABLE PLATEN ROLLER & OUTER BEARING 6"	
3	DPO10-3085-14	(25PK) SCRW SHC W/ LK COMP M4 X 12	
4	12-3491-01	G2 BLOCK BEARING MTG	
5	DPO10-3085-07	(25PK) SCRW SH CAP W/ LW M4 X 25 ROHS	
6	12-3501-01	G2 POST LATCH	
7	11-5783-01	G2 BRACKET BEARING RETAINER	

Card Cage Assembly (24-2685-XX)



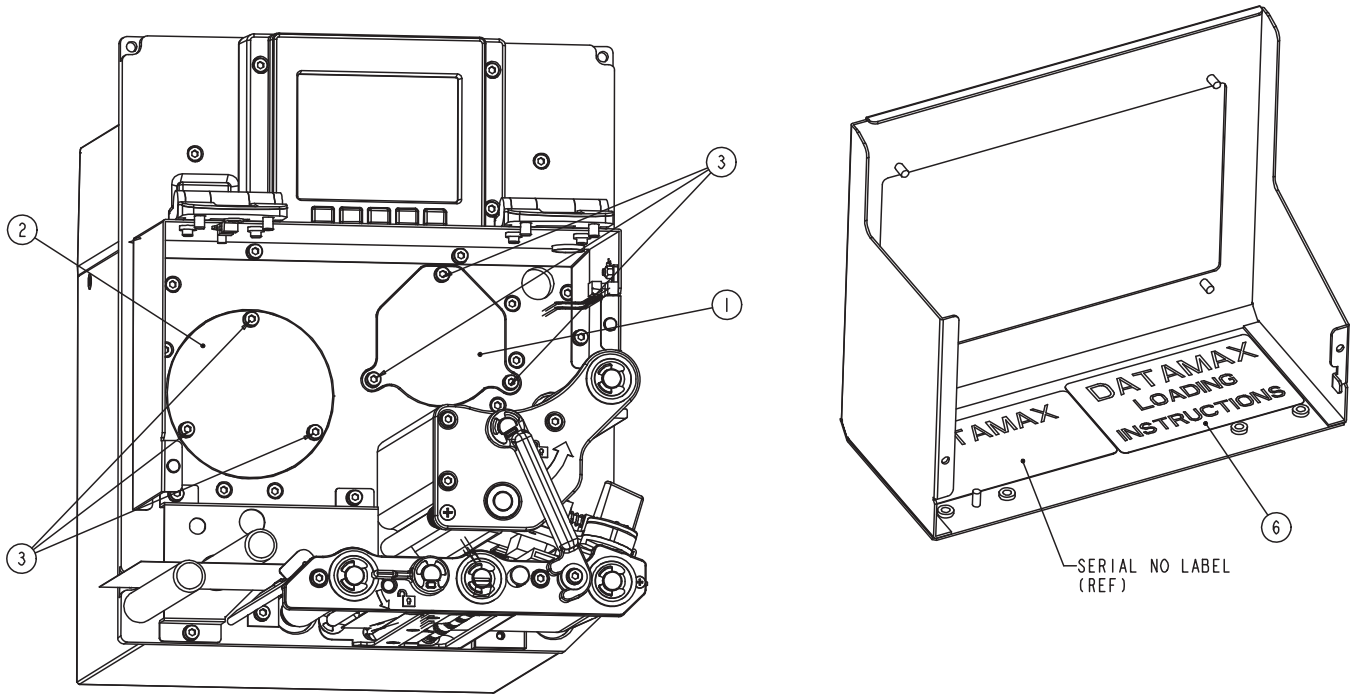
Item	Part Number	Description	Notes
1	11-5682-02	CARD CAGE ROHS	
2	---	A-CLASS G2 BACKPLANE REMOTE READY	Available as part of whole assembly 24-2685-02
	---	A-CLASS G2 BACKPLANE NON REM. RDY.	Available as part of whole assembly 24-2685-01
5	32-2530-01	CABLE ASSY BACK PLANE PWR ROHS	Not shown
6	32-2531-01	CABLE ASSY MOTOR CONTROL ROHS	Not shown
9	32-2540-01	CABLE ASSY. GRAPHICS DISPLAY ROHS	Not shown
	32-2646-01	CABLE ASSY GRAPHICS & REMOTE DISPLAY ROHS	Not shown
12	DPO10-3085-04	(25PK) SCREW SOC HD CAP W/ LW M4 X 12 ROHS	
13	---	LABEL CARD CAGE UL ROHS	
---	DPO10-2626-01	REMOTE READY DISPLAY ONLY – (50PK) SCRW JACK .19 X .19L 4-40THD ROHS	Quantity 2, not shown
---	DPO140028	REMOTE READY DISPLAY ONLY – (50PK) NUT HEX 4-40 W/ TOOTH KEPS ROHS	Quantity 2, not shown

Display Assembly (24-2691-01)



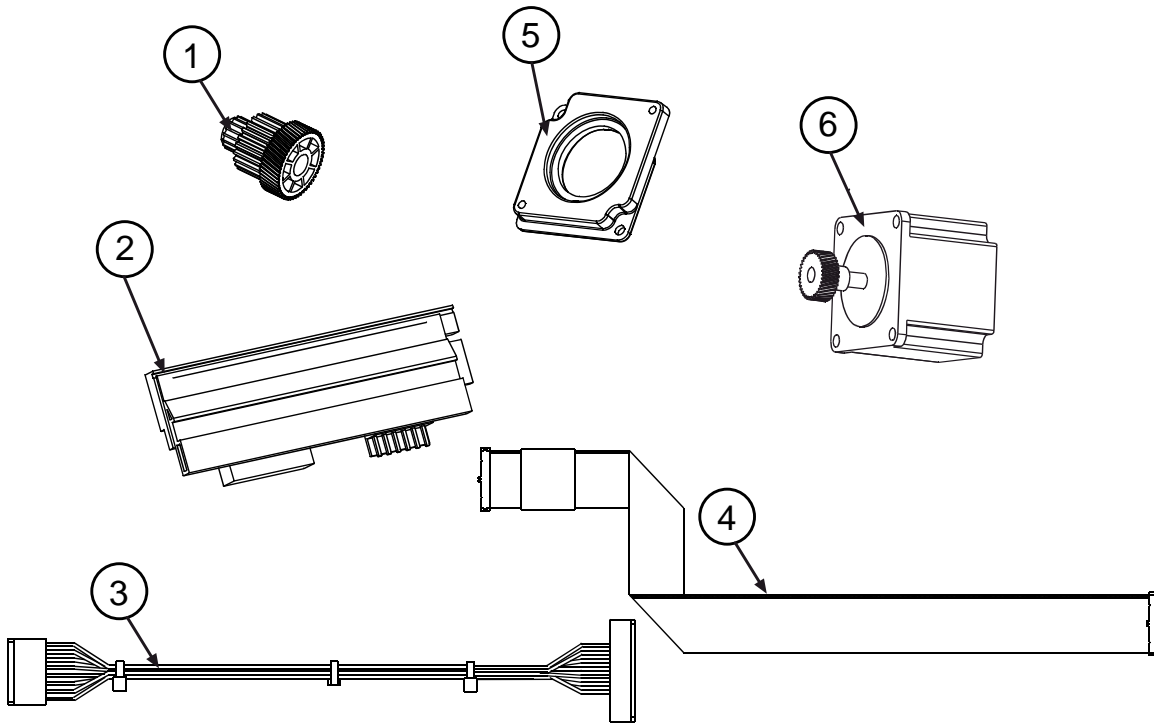
Item	Part Number	Description	Notes
1	12-3270-01	BEZEL DISPLAY ROHS	
2	16-2916-01	KEYPAD 5 BUTTON ROHS	
3	16-2961-01	COVER LCD ROHS	
4	DPO10-3085-02	(25PK) SCRW SH CAP W/ LW M4 X 8 ROHS	
5	DPO13-2425-01	(5PK) FILLER CONTROL PANEL BOOT ROHS	
6	---	TAPE PROTECTIVE ROHS	
7	45-2028-01	A-CLASS G2 DISPLAY 320X240 ALIKEH	

Direct Thermal (78-2474-01)



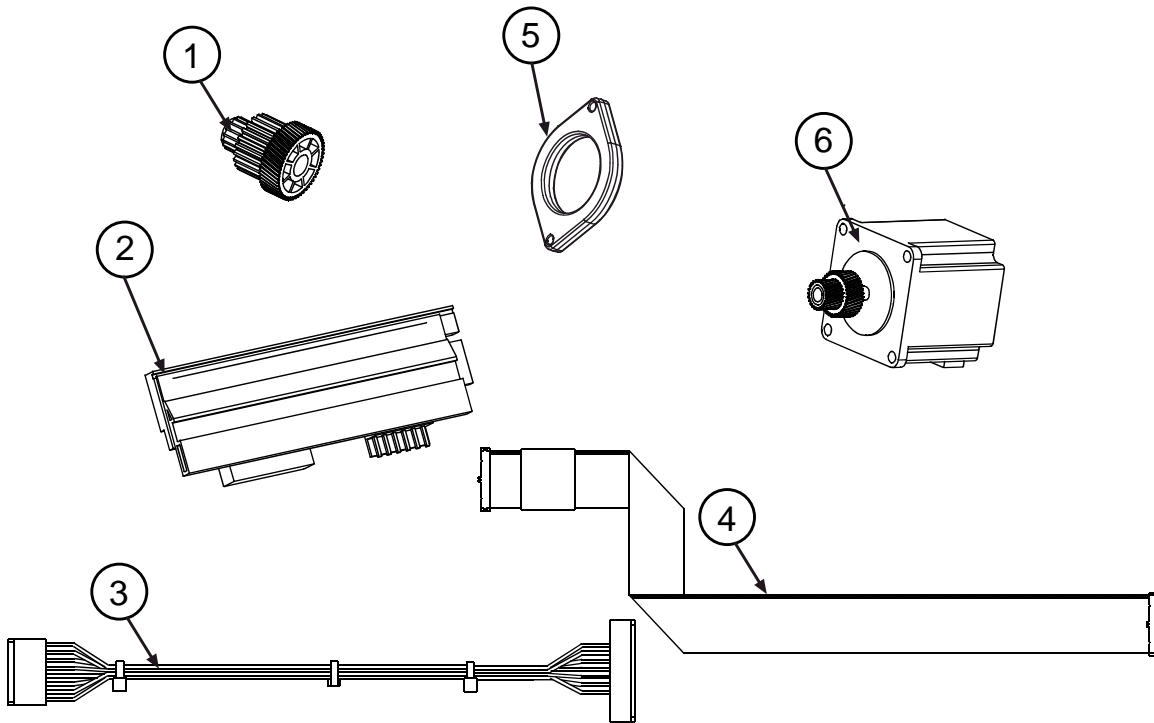
Item	Part Number	Description	Notes
1	11-5584-01	COVER RIBBON TAKE-UP ROHS	
2	11-5585-01	COVER RIBBON SUPPLY ROHS	
3	DPO10-3085-02	(25PK) SCREW SOC HD CAP W/ LW M4 X 8 ROHS	
6	14-2872-03	LABEL LINERLESS LOADING DT ROHS	

Printhead / Pulley Kit, 203DPI



Item	Part Number	Description	Notes
1	15-3117-01	PULLEY COMPOUND 203DPI, ROHS	
2	PHD20-2245-01	PH 6" WIDE 203 DPI SMART ROHS	
3	32-2534-02	CABLE ASSY 6 IN PRINthead PWR ROHS	
4	32-2650-01	CABLE ASSY 6IN PRINthead DATA ROHS	
5	12-3384-02	SPACER MOTOR MOUNTING ROHS	
6	24-2543-03	STEPPER MOTOR ASSEMBLY, ROHS	
---	DPO10-3085-04	(25PK) SCRW, SH CAP W/LW, M4 X 12, ROHS	Quantity 4, not shown

Printhead / Pulley Kit, 300 DPI

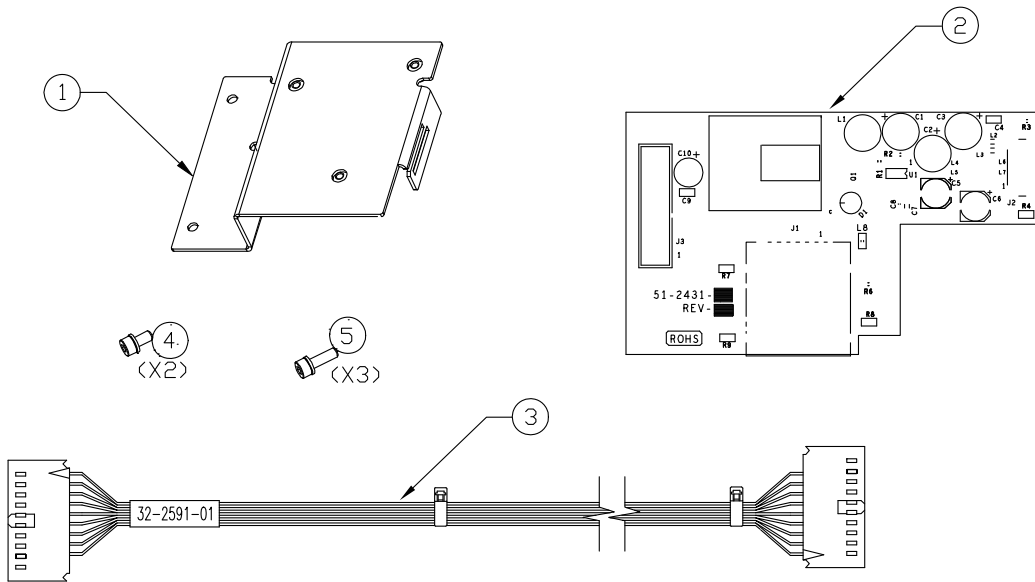


Item	Part Number	Description	Notes
1	15-3118-01	GEAR COMPOUND 300DPI, ROHS	
2	PHD20-2246-01	PH 6" WIDE 300 DPI SMART ROHS	
3	32-2534-02	CABLE ASSY 6" PRINTHEAD PWR ROHS	
4	32-2650-01	CABLE ASSY. 6IN PRINTHEAD DATA ROHS	
5	12-3370-01	SPACER MOTOR MOUNTING, ROHS	
6	24-2543-02	STEPPER MOTOR ASSEMBLY, ROHS	
---	DPO10-3085-06	(25PK) SCRW, SH CAP W/LW, M4 X 20, ROHS	Quantity 2, not shown

Printer Options, All Models

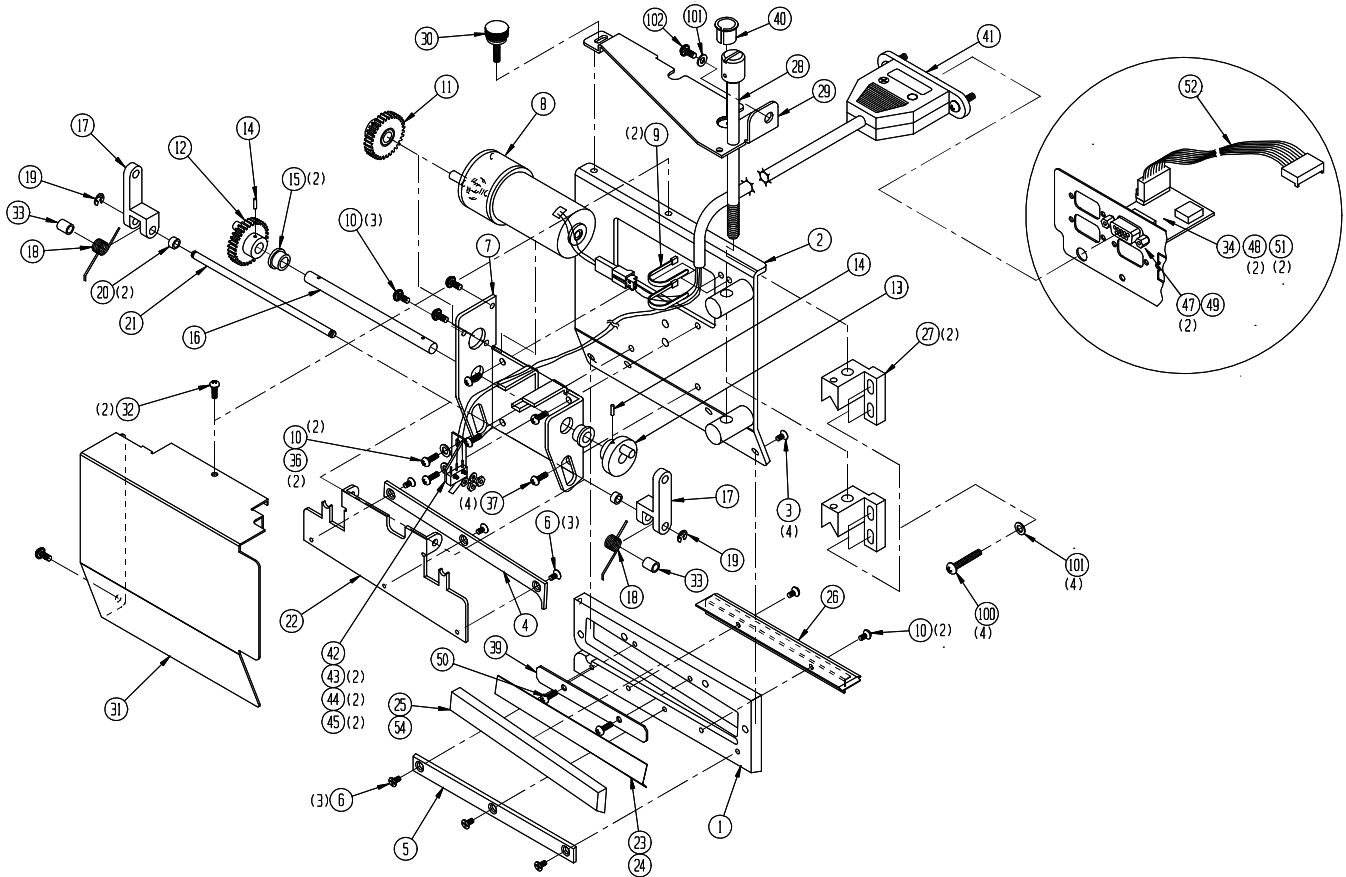
Card, Memory, USB/SDIO (78-2801-XX)

- 78-2801-01 CARD, MEMORY, USB/SDIO, RH
- 78-2801-02 CARD, MEMORY, USB/SDIO, LH



Item	Part Number	Description	Notes
1	11-5778-01	G2 BRACKET MEMORY BOARD RH	
	11-5777-01	G2 BRACKET MEMORY BOARD LH	
2	51-2431-00	CCA SDIO/USB HOST H-CLASS ROHS	
3	32-2591-01	ASSY CABLE SDIO TALL - ROHS	
4	DPO10-3085-02	(25PK) SCRW SH CAP W/ LW M4 X 8 ROHS	
5	DPO10-3085-04	(25PK) SCREW SOC HD CAP W/ LW M4 X 12 ROHS	
---	DPO44-2060-01	(2PK) ASSY FERRITE ROHS	Not shown
---	DPO14-2991-01	(2PK) LABEL TOP SIDE DOWN MEMORY CARD RH	Not shown
	DPO14-2991-02	(2PK) LABEL TOP SIDE DOWN MEMORY CARD LH	Not shown

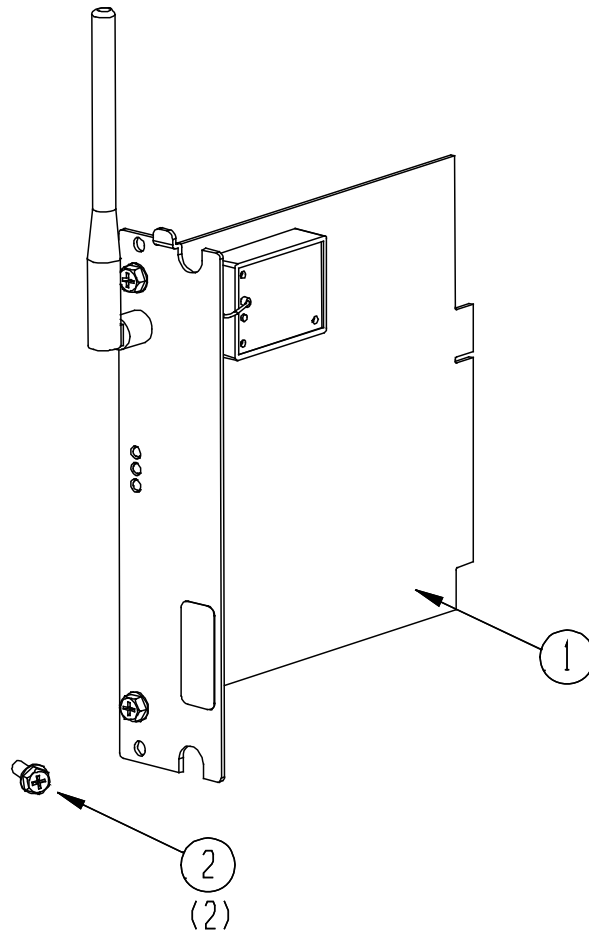
Cutter, Linerless, Four-Inch Right Hand Models (61-2173-02)



Item	Part Number	Description	Notes
1	12-2881-01	PLATE BASE ROHS	
2	15-2751-01	ASSY BACKPLATE ROHS	
3	DPO10-2894-01	(50PK) SCREW FHP 8-32 X 3/8 ROHS	
4	12-2884-01	BLADE CUTTING UPPER ROHS	
5	12-2885-01	BLADE CUTTING LOWER ROHS	
6	DPO10-2364-01	(50PK) SCRW 4-40 X 3/16 PFH UNDERCUT ROHS	
7	11-5079-01	BRACKET LOWER ROHS	
8	24-2507-01	ASSY MOTOR ROHS	
9	---	TYWRAP 4" ROHS	
10	DPO130809	(50PK) SCRW PHP 4-40 X 1/4 EX SEMS ROHS	
11	17-2814-01	SPUR GEAR 30T ROHS	
12	899397	GEAR - CRANK ROHS	
13	899433	CRANK CUTTER ROHS	
14	DPO17-2376-01	(50PK) PIN-RETAINING ROHS	
15	DPO17-2525-01	(25PK) BEARING OILITE FF 312-2 ROHS	
16	12-2886-01	SHAFT DRIVE ROHS	
17	16-2518-01	LINK ROHS	

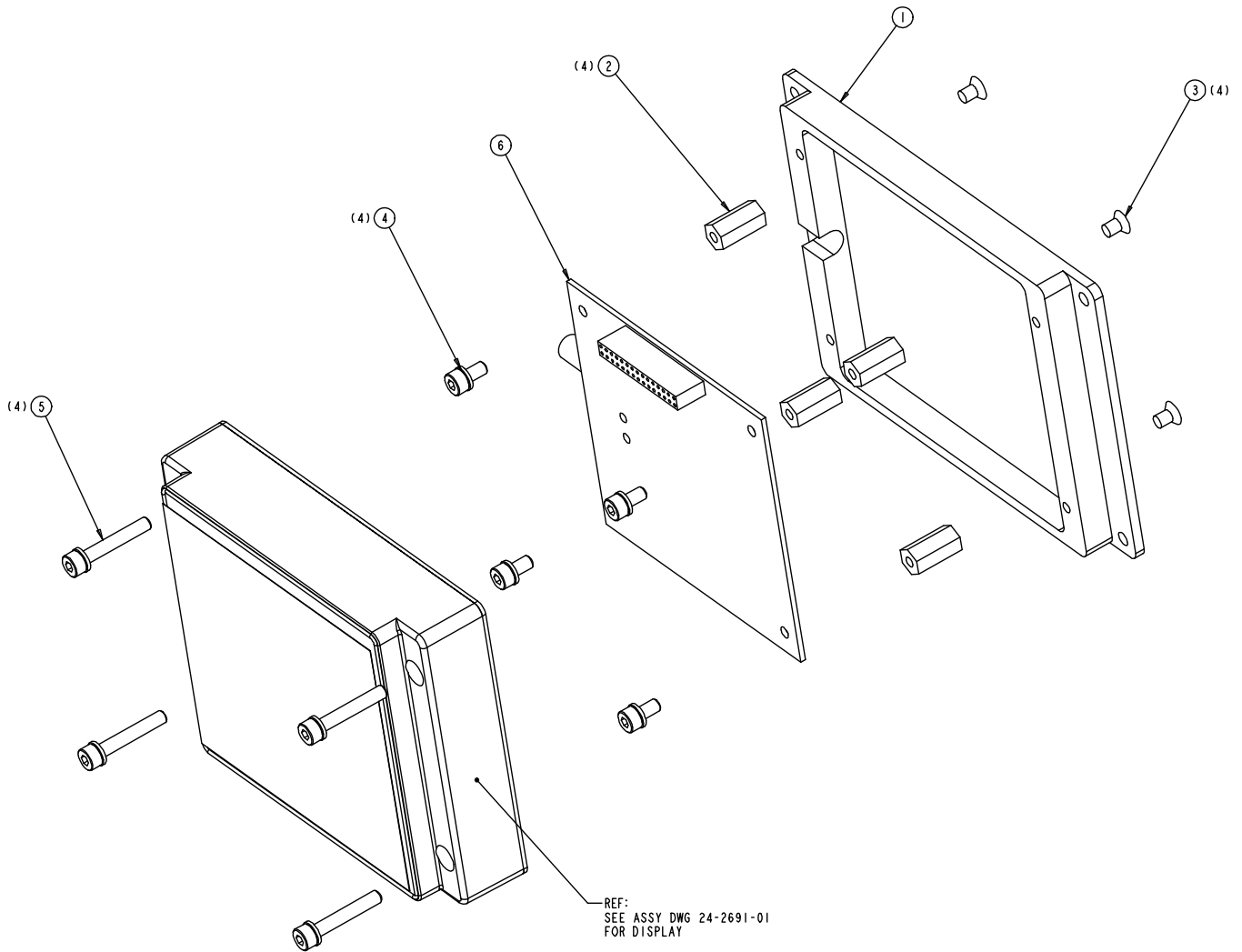
Item	Part Number	Description	Notes
18	DPO17-2807-01	(5PK) SPRING TORSION R.H. ROHS	
19	DPO140065	(50PK) E-RING RETAINING 5/32 ROHS	
20	17-2812-01	ROLLER BEARING ROHS	
21	12-2887-01	SHAFT BLADE CARRIER ROHS	
22	11-5080-01	BLADE CARRIER ROHS	
23	11-5172-01	SPACER PAD ROHS	
24	---	ADHESIVE RTV ROHS	
25	13-2350-01	PAD WICK ROHS	
26	11-5082-02	GUIDE INPUT ROHS	
27	12-2880-02	MOUNT CUTTER ROHS	
28	15-2753-01	MOUNTING SCREW ROHS	
29	11-5155-01	BRACKET ROHS	
30	17-2815-01	THUMB SCREW ROHS	
31	11-5161-01	COVER ROHS	
32	DPO10-2708-01	(50PK) SCREW SEM 6-32 X 1/4 ROHS	
33	---	TUBING TEFLON ROHS	
34	51-2257-00	CCA CUTTER DAUGHTER PE42/43 ROHS	
36	DPO10-0438-01	(50PK) WSHR #4 FLAT.250 X.125 X.025 ROHS	
37	DPO130810	(50PK) SCRW 6-32 X 1/4 PHIL PH EXT/S ROHS	
38	32-2423-02	CABLE ASSY CUTTER ROHS	
39	11-5173-01	PLATE KEEPER ROHS	
40	DPO17-0149-01	(50PK) BUSHING OPEN-CLOSED ROHS	
41	32-2423-03	CABLE ASSY CUTTER ROHS	
42	11-5174-01	BRACKET SWITCH MTG ROHS	
43	DPO10-2733-01	(20PK) SCREW PAN HEAD M2X10 ZINC ROHS	
44	DPO140029	(50PK) WASHER #2 INT TOOTH LOCK ROHS	
45	DPO10-2510-01	(50PK) HEX NUT M2 X .4 ROHS	
47	DPO10-3066-01	(25PK) SCREW FLAT HEAD SS M4 X 6 ROHS	
48	DPO10-3038-01	(10PK) JCK SCRW 3/16 4-40 X 5/16 SS ROHS	
49	11-5670-01	BRACKET CUTTER BD MTG ROHS	
50	DPO130806	(50PK) SCREW 4-40 X 3/16 PHIL PH ZP	
51	DPO10-3019-02	(50PK) WASHER SPLIT LOCK #4 CRES ROHS	
52	32-2611-01	CABLE ASSY CUTTER ROHS	
53	14-2835-01	LABEL WARNING ROHS	
54	---	FLUID DOW CORNING 200 1000 CST	
100	DPO10-3085-06	(25PK) SCRW SH CAP W/ LW M4 X 20 ROHS	
101	DPO10-3139-01	(50PK) WASHER FLAT .188 ID X .375 OD X .0	
102	DPO10-3085-03	(25PK) SCRW SH CAP W/ LW M4 X 10 ROHS	

Wi-Fi Interface (OPT78-2873-02)



Item	Part Number	Description	Notes
1	OPT78-2873-02	DMXrfNet3 W-LAN 802.11 B/G WPA2	
2	DPO10-2903-04	(50PK) SCRW SWGFRM M4 PHILIPS HD 12	
	DPO17-3104-02	Antenna R. Duck RP/SMA	

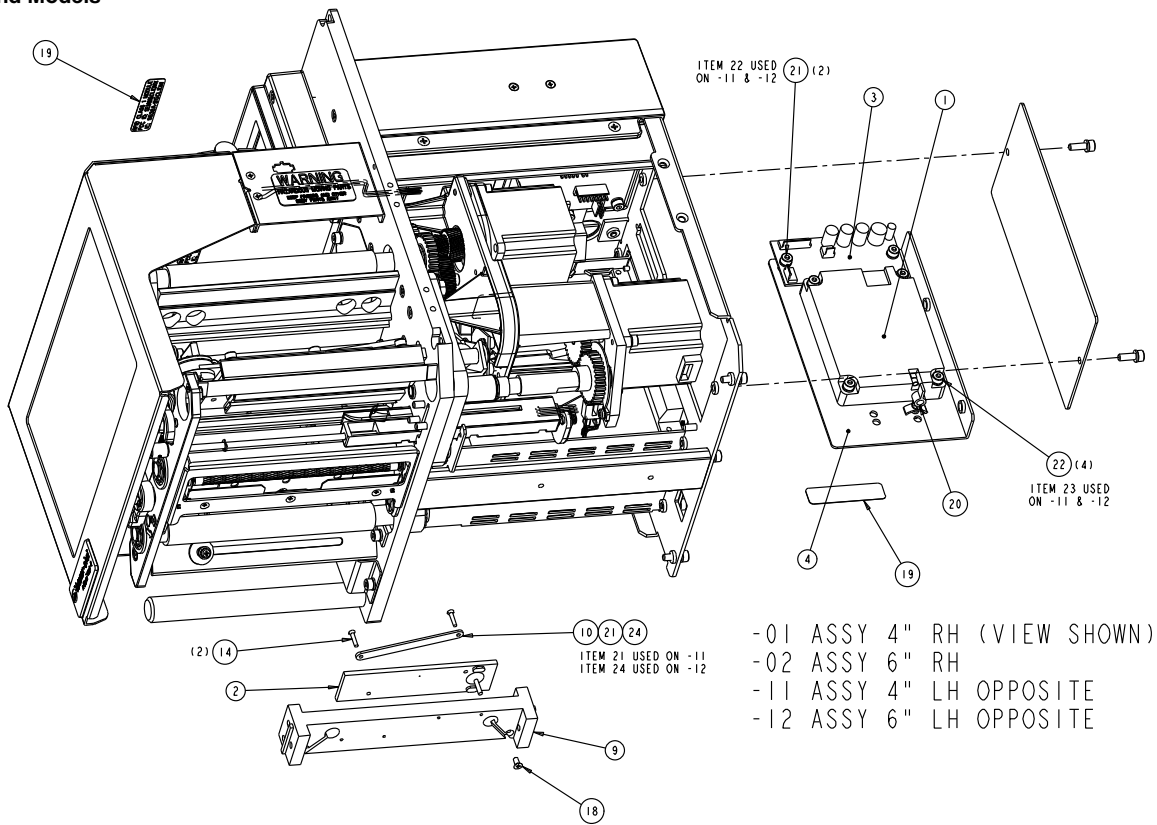
Remote Display Assembly



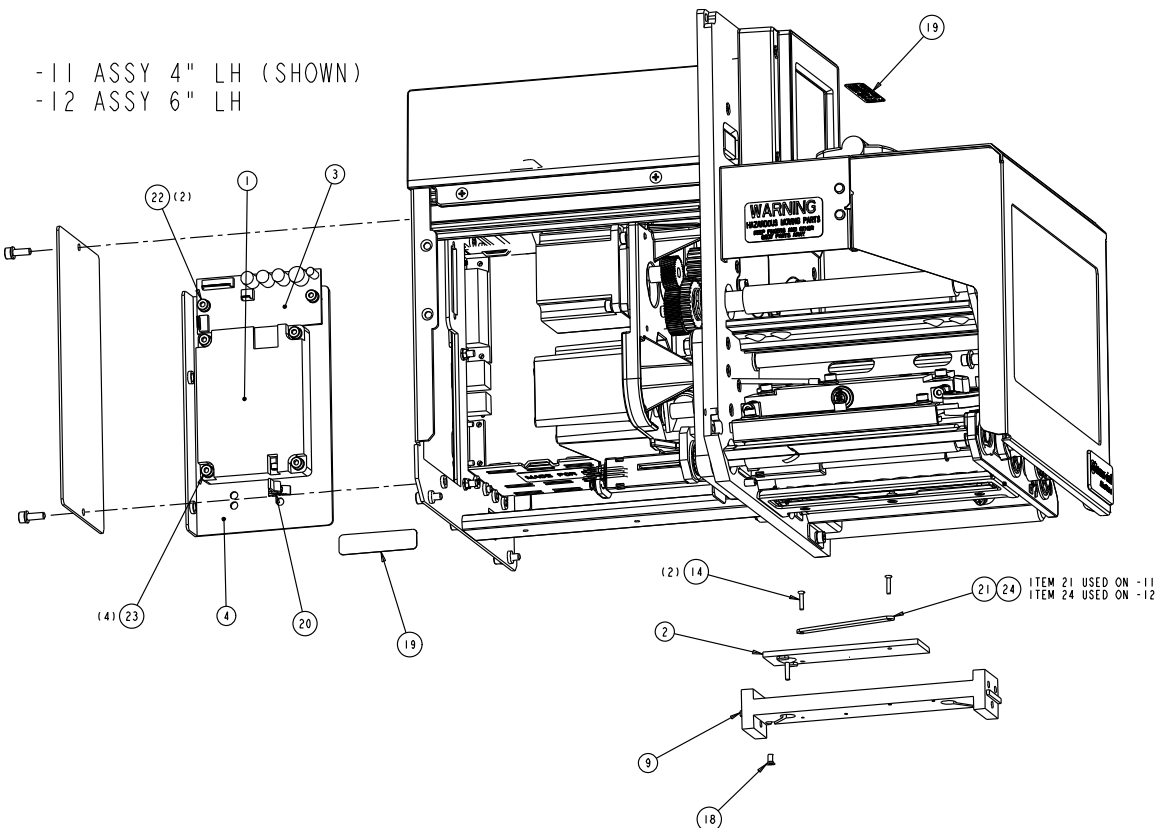
Item	Part Number	Description	Notes
1	12-3297-01	G2 MOUNT REMOTE DISPLAY	
2	12-3298-01	STANDOFF M4 THD X 16MM ROHS	
3	DPO10-3066-01	(25PK) SCREW FLAT HEAD SS M4 X 6 ROHS	
4	DPO10-3085-02	(25PK) SCREW SOC HD CAP W/LW M4 X 8 ROHS	
5	DPO10-3085-07	(25PK) SCREW SOC HD CAP W/LW M4 X 25 ROHS	
6	51-2456-00	A-CLASS G2 CCA REMOTE LCD INTERFACE	Also see Card Cage assembly

RFID

Right Hand Models



Left Hand Models



Four-Inch Right Hand RFID ROHS

Item	Part Number	Description	Notes
1	20-2244-01	MOD. RFID UHF MULTI-PROTOCOL ROHS	
2	50-2062-01	RFID UHF TRANSDUCER ROHS	
3	51-2417-00	CCA SW. REG BRD. RFID ROHS	
4	11-5784-01	G2 BRACKET RFID/REMOTE DISPLAY	
6	32-2597-01	CBL. ASSY RFID INT. A-CLASS ROHS	Not Shown
9	12-3469-01	BAR RFID SUPPORT ROHS	
10	13-2459-01	SPACER RFID ANTENNA ROHS	
11	---	CABLE TIE ROHS	Not Shown
14	DPO10-3123-01	(50PK) SCREW, NYLON 2-56 X .44 LG ROHS	
18	DPO10-3088-01	(25PK) SCREW, FLATHEAD, CRES, M3 X 6	
19	---	LABEL RFID FCC CLASS 1 ROHS	
20	DPO17-3137-01	(10PK) CLIP STANDOFF LOCKING ROHS	
21	DPO10-3085-03	(25PK) SCREW SOC HD CAP W/ LW M4 X 10 ROHS	
22	DPO10-3085-05	(25PK) SCRW SH CAP W/ LW M4 X 16 ROHS	
23	32-2649-01	CABLE ASSY. RFID COMM & PWR ROHS	Not Shown

Six-Inch Right Hand RFID ROHS

Item	Part Number	Description	Notes
1	20-2244-01	MOD. RFID UHF MULTI-PROTOCOL ROHS	
2	50-2066-01	RFID UHF 6 INCH TRANSDUCER ROHS	
3	51-2417-00	CCA SW. REG BRD. RFID ROHS	
4	11-5784-01	G2 BRACKET RFID/REMOTE DISPLAY	
6	32-2597-01	CBL. ASSY RFID INT. A-CLASS ROHS	Not Shown
9	12-3469-02	BAR 6" RFID SUPPORT ROHS	
11	---	CABLE TIE ROHS	Not Shown
14	DPO10-3123-01	(50PK) SCREW, NYLON 2-56 X .44 LG ROHS	
18	DPO10-3088-01	(25PK) SCREW, FLATHEAD, CRES, M3 X 6	
19	---	LABEL RFID FCC CLASS 1 ROHS	
20	DPO17-3137-01	(10PK) CLIP STANDOFF LOCKING ROHS	
21	DPO13-2459-02	(5PK) G2 SPACER 6" RFID ANTENNA ROHS	
22	DPO10-3085-03	(25PK) SCREW SOC HD CAP W/ LW M4 X 10 ROHS	
23	DPO10-3085-05	(25PK) SCRW SH CAP W/ LW M4 X 16 ROHS	
24	32-2649-01	CABLE ASSY. RFID COMM & PWR ROHS	Not Shown

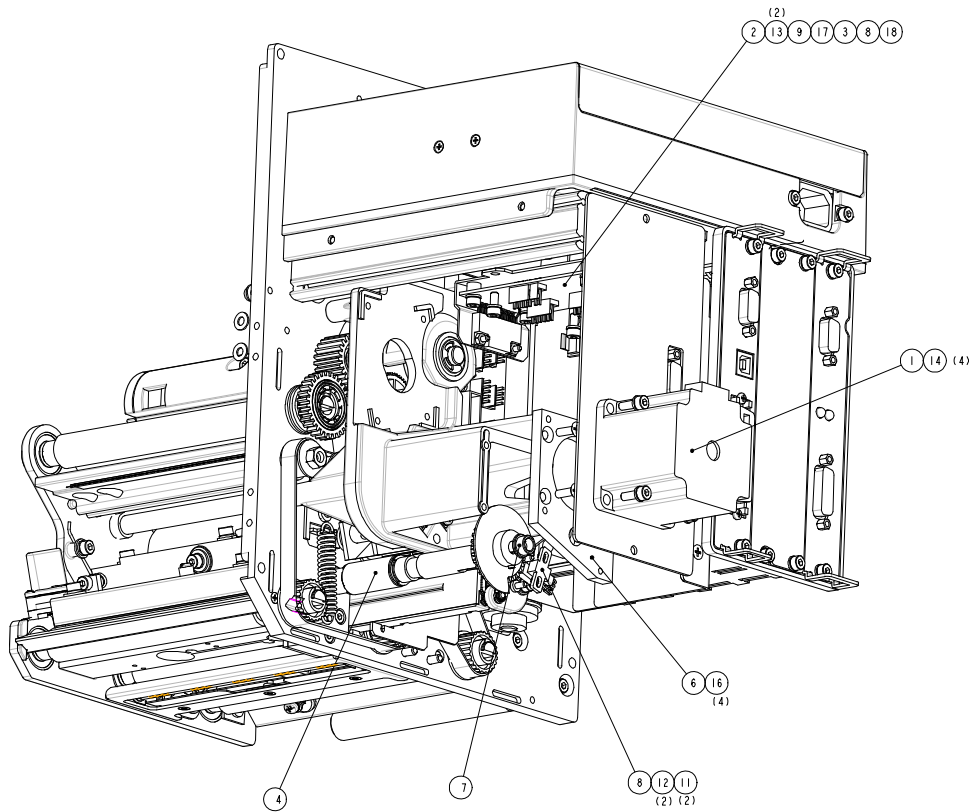
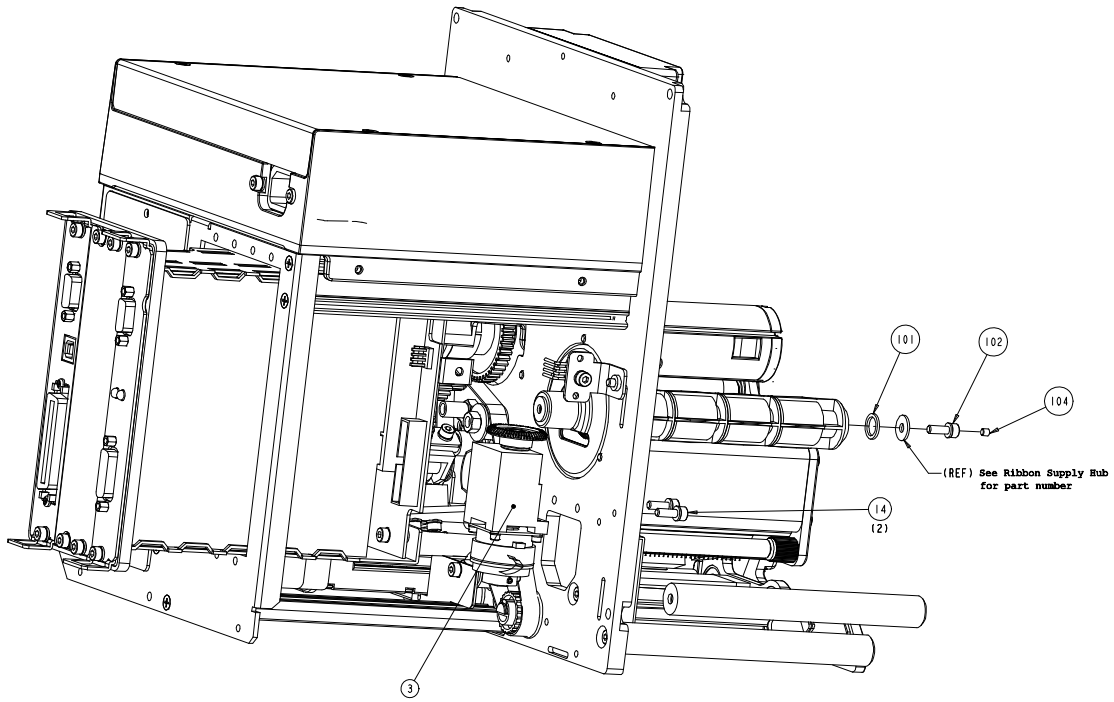
Four-Inch Left Hand RFID ROHS

Item	Part Number	Description	Notes
1	20-2244-01	MOD. RFID UHF MULTI-PROTOCOL ROHS	
2	50-2062-01	RFID UHF TRANSDUCER ROHS	
3	51-2417-00	CCA SW. REG BRD. RFID ROHS	
4	11-5784-02	G2 BRACKET RFID MOUNTING LH	
6	32-2597-01	CBL. ASSY RFID INT. A-CLASS ROHS	Not Shown
9	12-3469-01	BAR RFID SUPPORT ROHS	
10	13-2459-01	SPACER RFID ANTENNA ROHS	
11	---	CABLE TIE ROHS	Not Shown
14	DPO10-3123-01	(50PK) SCREW, NYLON 2-56 X .44 LG ROHS	
18	DPO10-3088-01	(25PK) SCREW, FLATHEAD, CRES, M3 X 6	
19	---	LABEL RFID FCC CLASS 1 ROHS	
20	DPO17-3137-01	(10PK) CLIP STANDOFF LOCKING ROHS	
21	DPO10-3085-03	(25PK) SCREW SOC HD CAP W/ LW M4 X 10 ROHS	
22	DPO10-3085-05	(25PK) SCRW SH CAP W/ LW M4 X 16 ROHS	
23	32-2649-01	CABLE ASSY. RFID COMM & PWR ROHS	Not Shown

Six-Inch Left Hand RFID ROHS

Item	Part Number	Description	Notes
1	20-2244-01	MOD. RFID UHF MULTI-PROTOCOL ROHS	
2	50-2066-01	RFID UHF 6 INCH TRANSDUCER ROHS	
3	51-2417-00	CCA SW. REG BRD. RFID ROHS	
4	11-5784-02	G2 BRACKET RFID MOUNTING LH	
6	32-2597-01	CBL. ASSY RFID INT. A-CLASS ROHS	Not Shown
9	12-3469-02	BAR 6" RFID SUPPORT ROHS	
11	---	CABLE TIE ROHS	Not Shown
14	DPO10-3123-01	(50PK) SCREW, NYLON 2-56 X .44 LG ROHS	
18	DPO10-3088-01	(25PK) SCREW, FLATHEAD, CRES, M3 X 6	
19	---	LABEL RFID FCC CLASS 1 ROHS	
20	DPO17-3137-01	(10PK) CLIP STANDOFF LOCKING ROHS	
22	DPO10-3085-03	(25PK) SCREW SOC HD CAP W/ LW M4 X 10 ROHS	
23	DPO10-3085-05	(25PK) SCRW SH CAP W/ LW M4 X 16 ROHS	
24	DPO13-2459-02	(5PK) G2 SPACER 6" RFID ANTENNA ROHS	
25	32-2649-01	CABLE ASSY. RFID COMM & PWR ROHS	Not Shown

Ribbon Saver



-01 Shown

Four-Inch Right Hand RS Models (78-2449-01)

Item	Part Number	Description	Notes
1	24-2602-01	MOTOR ASSEMBLY ROHS	
2	51-2363-00	CCA RIBBON SAVER A-CLASS ROHS	
3	24-2611-01	BRAKE ASSEMBLY RIBBON SAVER RH ROHS	
4	15-3002-01	CAM ASSEMBLY RIBBON SAVER ROHS	
6	12-3231-02	PLATE MOTOR MTG RS ROHS	
7	DPO17-2505-01	(25PK) BUSHING FLANGED .250 ID ROHS	
8	24-2620-01	CABLE ASSY RIBBON SAVER CAM ROHS	Not shown
9	32-2541-01	CABLE ASSEMBLY RIBBON SAVER ROHS	Not shown
11	DPO10-3092-01	(25PK) SCREW PHP M3 X 6MM CRES ROHS	
12	DPO10-3093-01	(25PK) WASHER M3 EXT TOOTH LOCK CRES ROHS	
13	DPO10-3085-01	(25PK) SCREW SOC HD CAP W/ LW M4 X 6 ROHS	
14	DPO10-3085-03	(25PK) SCREW SOC HD CAP W/ LW M4 X 10 ROHS	
16	DPO10-3066-04	(25PK) SCREW FLAT HEAD SS M4 X 12 ROHS	
17	32-2550-01	CABLE ASSEMBLY RIBBON SAVER POWER ROHS	Not shown
18	---	TIE TWIST LOCK ROHS	
101	DPO10-3126-01	(50PK) WASHER FLAT ROHS	
102	DPO10-3085-14	(25PK) SCREW SHC W/ LK COMP M4 X 12 ROHS	
104	DPO10-2843-01	(50PK) SCRW #6-32 X 1/8 SKT SET FLAT ROHS	

Six-Inch Right Hand RS Models (78-2449-02)

Item	Part Number	Description	Notes
1	24-2602-01	MOTOR ASSEMBLY ROHS	
2	51-2363-00	CCA RIBBON SAVER A-CLASS ROHS	
3	24-2611-01	BRAKE ASSEMBLY RIBBON SAVER RH ROHS	
4	15-3002-01	CAM ASSEMBLY RIBBON SAVER ROHS	
6	12-3231-02	PLATE MOTOR MTG RS ROHS	
7	DPO17-2505-01	(25PK) BUSHING FLANGED .250 ID ROHS	
8	24-2620-01	CABLE ASSY RIBBON SAVER CAM ROHS	Not shown
9	32-2541-01	CABLE ASSEMBLY RIBBON SAVER ROHS	Not shown
11	DPO10-3092-01	(25PK) SCREW PHP M3 X 6MM CRES ROHS	
12	DPO10-3093-01	(25PK) WASHER M3 EXT TOOTH LOCK CRES ROHS	
13	DPO10-3085-01	(25PK) SCREW SOC HD CAP W/ LW M4 X 6 ROHS	
14	DPO10-3085-03	(25PK) SCREW SOC HD CAP W/ LW M4 X 10 ROHS	
16	DPO10-3066-04	(25PK) SCREW FLAT HEAD SS M4 X 12 ROHS	
17	32-2550-01	CABLE ASSEMBLY RIBBON SAVER POWER ROHS	Not shown
18	---	TIE TWIST LOCK ROHS	
101	DPO10-3126-01	(50PK) WASHER FLAT ROHS	
102	DPO10-3085-14	(25PK) SCREW SHC W/ LK COMP M4 X 12 ROHS	
104	DPO10-2843-01	(50PK) SCRW #6-32 X 1/8 SKT SET FLAT ROHS	

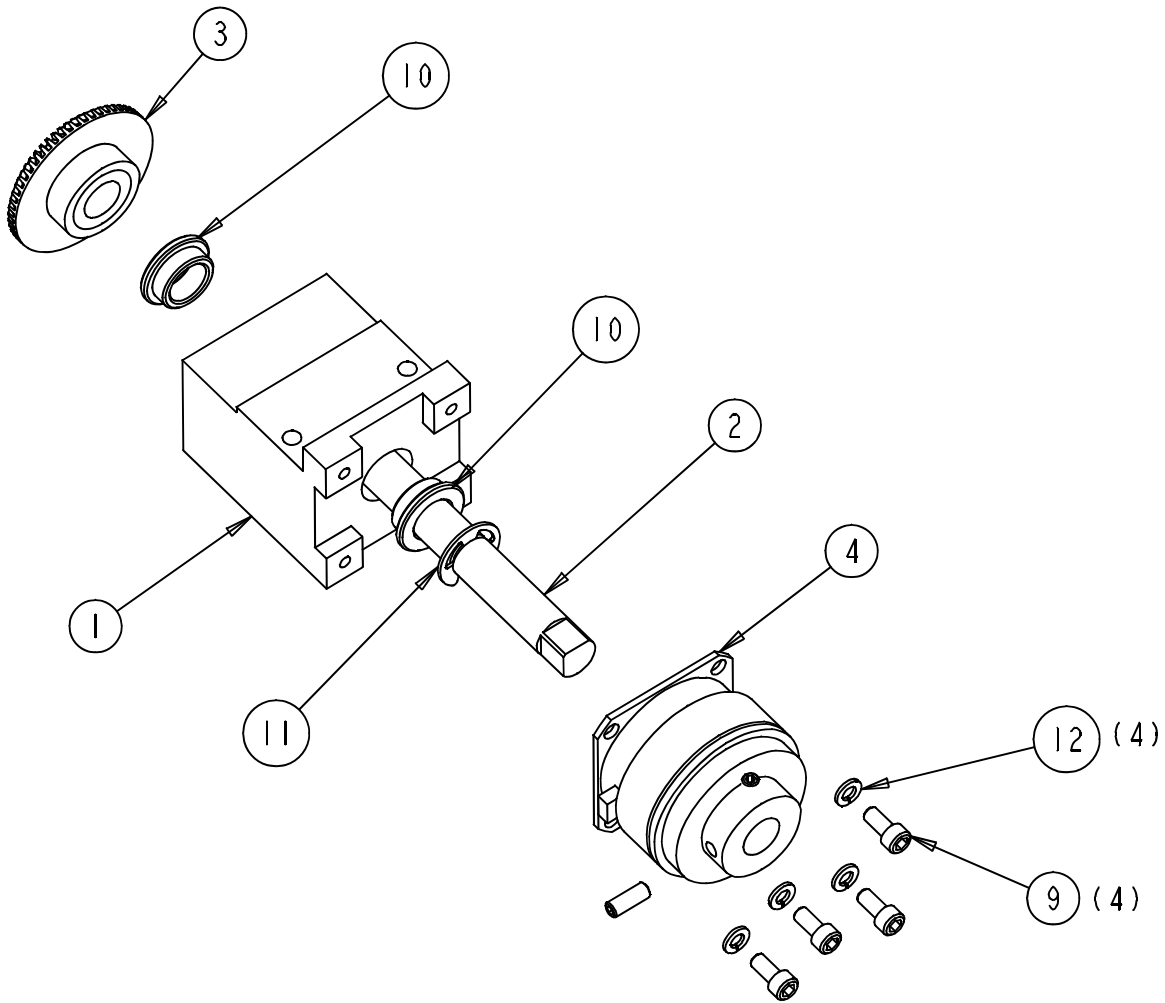
Four-Inch Left Hand RS Models (78-2449-11)

Item	Part Number	Description	Notes
1	24-2602-01	MOTOR ASSEMBLY ROHS	
2	51-2363-00	CCA RIBBON SAVER A-CLASS ROHS	
3	24-2611-02	BRAKE ASSEMBLY RIBBON SAVER ROHS	
4	15-3002-01	CAM ASSEMBLY RIBBON SAVER ROHS	
6	12-3231-01	PLATE MOUNTING MOTOR RS ROHS	
7	DPO17-2505-01	(25PK) BUSHING FLANGED .250 ID ROHS	
8	24-2620-01	CABLE ASSY RIBBON SAVER CAM ROHS	Not shown
9	32-2541-01	CABLE ASSEMBLY RIBBON SAVER ROHS	Not shown
11	DPO10-3092-01	(25PK) SCREW PHP M3 X 6MM CRES ROHS	
12	DPO10-3093-01	(25PK) WASHER M3 EXT TOOTH LOCK CRES ROHS	
13	DPO10-3085-01	(25PK) SCREW SOC HD CAP W/ LW M4 X 6 ROHS	
14	DPO10-3085-03	(25PK) SCREW SOC HD CAP W/ LW M4 X 10 ROHS	
16	DPO10-3066-04	(25PK) SCREW FLAT HEAD SS M4 X 12 ROHS	
17	32-2550-01	CABLE ASSEMBLY RIBBON SAVER POWER ROHS	Not shown
18	---	TIE TWIST LOCK ROHS	
101	DPO10-3126-01	(50PK) WASHER FLAT ROHS	
102	DPO10-3085-14	(25PK) SCREW SHC W/ LK COMP M4 X 12 ROHS	
104	DPO10-2843-01	(50PK) SCRW #6-32 X 1/8 SKT SET FLAT ROHS	

Six-Inch Left Hand RS Models (78-2449-12)

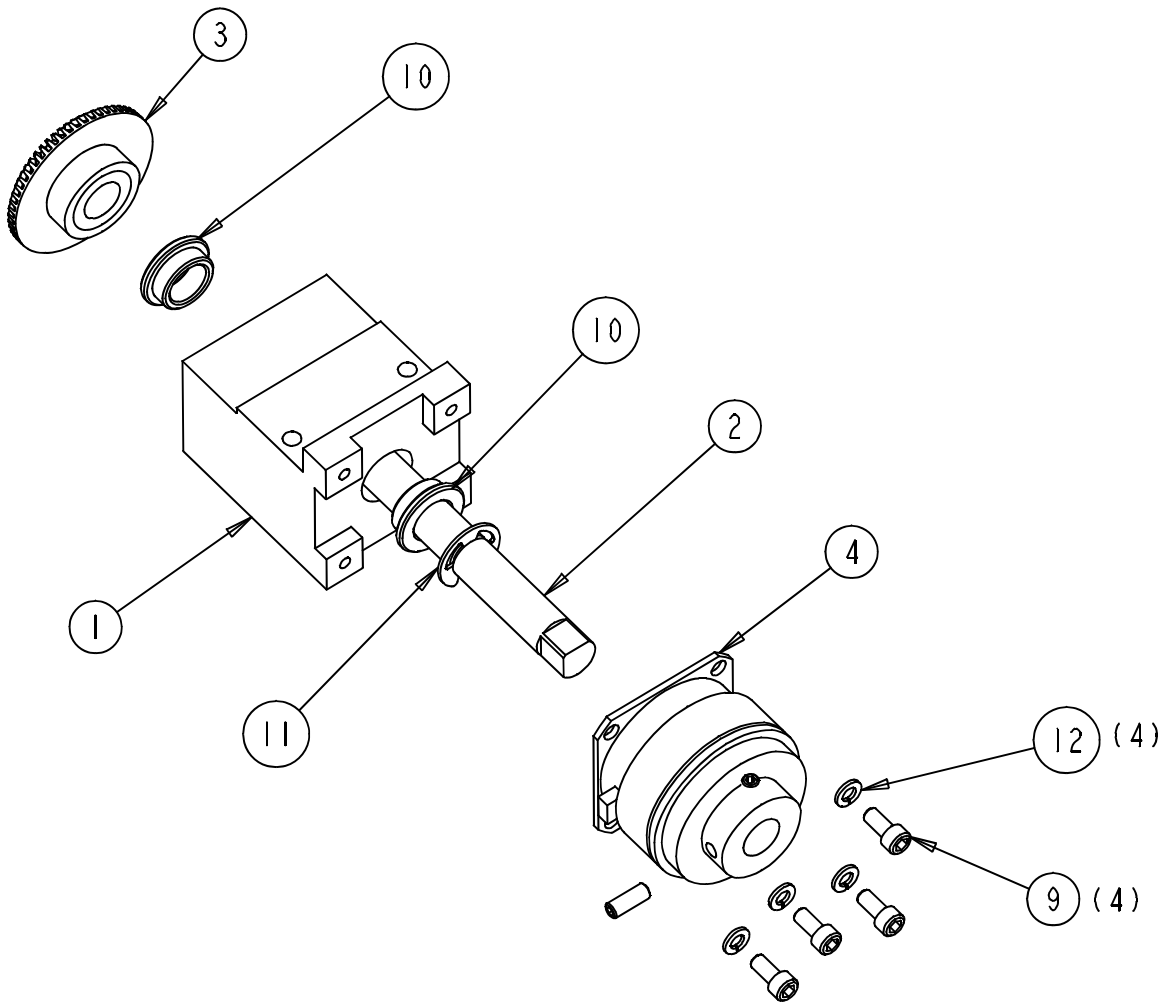
Item	Part Number	Description	Notes
1	24-2602-01	MOTOR ASSEMBLY ROHS	
2	51-2363-00	CCA RIBBON SAVER A-CLASS ROHS	
3	24-2611-02	BRAKE ASSEMBLY RIBBON SAVER ROHS	
4	15-3002-01	CAM ASSEMBLY RIBBON SAVER ROHS	
6	12-3231-01	PLATE MOUNTING MOTOR RS ROHS	
7	DPO17-2505-01	(25PK) BUSHING FLANGED .250 ID ROHS	
8	24-2620-01	CABLE ASSY RIBBON SAVER CAM ROHS	Not shown
9	32-2541-01	CABLE ASSEMBLY RIBBON SAVER ROHS	Not shown
11	DPO10-3092-01	(25PK) SCREW PHP M3 X 6MM CRES ROHS	
12	DPO10-3093-01	(25PK) WASHER M3 EXT TOOTH LOCK CRES ROHS	
13	DPO10-3085-01	(25PK) SCREW SOC HD CAP W/ LW M4 X 6 ROHS	
14	DPO10-3085-03	(25PK) SCREW SOC HD CAP W/ LW M4 X 10 ROHS	
16	DPO10-3066-04	(25PK) SCREW FLAT HEAD SS M4 X 12 ROHS	
17	32-2550-01	CABLE ASSEMBLY RIBBON SAVER POWER ROHS	Not shown
18	---	TIE TWIST LOCK ROHS	
101	DPO10-3126-01	(50PK) WASHER FLAT ROHS	
102	DPO10-3085-14	(25PK) SCREW SHC W/ LK COMP M4 X 12 ROHS	
104	DPO10-2843-01	(50PK) SCRW #6-32 X 1/8 SKT SET FLAT ROHS	

Brake Assembly (24-2611-01)



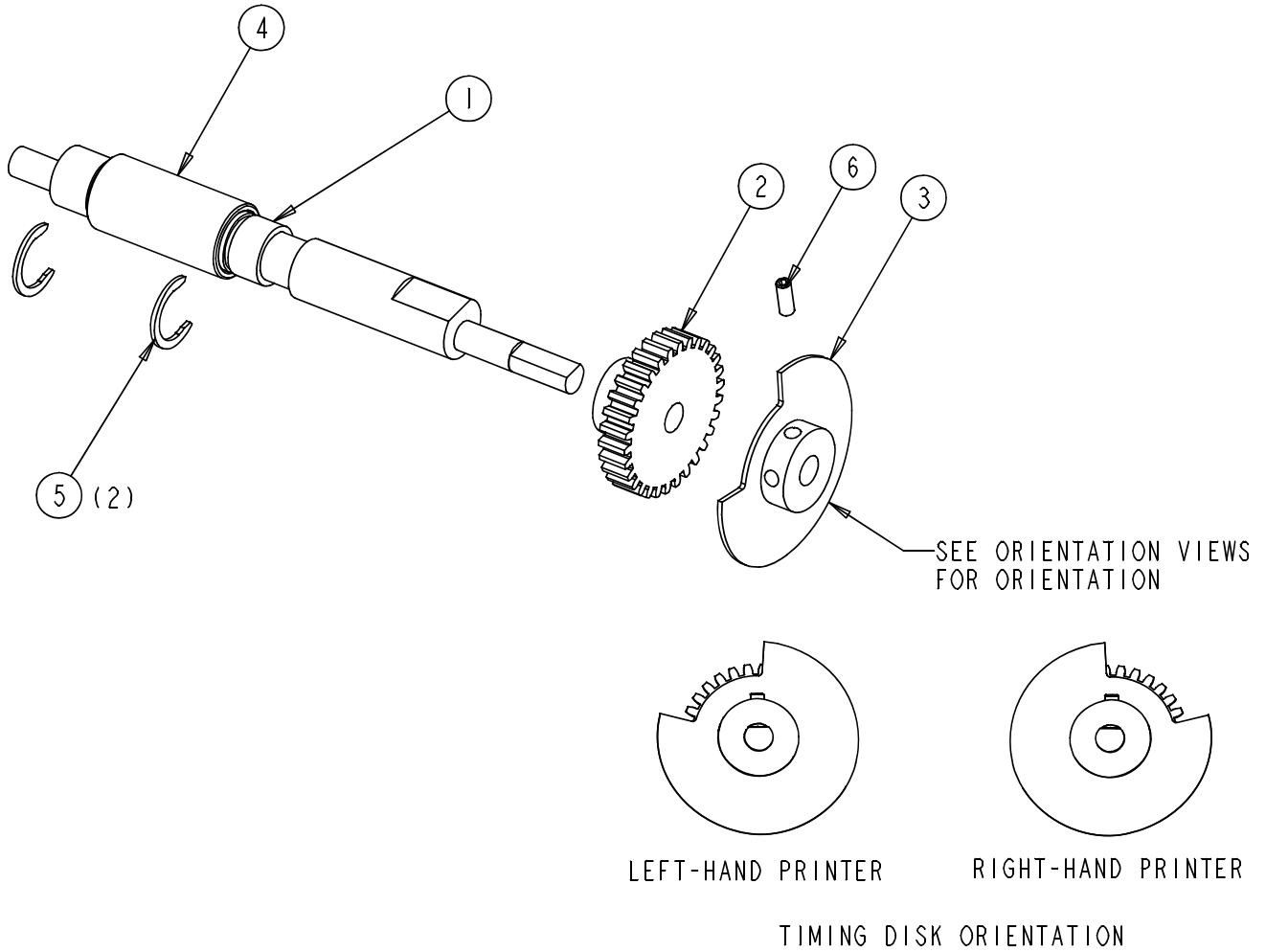
Item	Part Number	Description	Notes
1	12-3222-01	BLOCK MOUNTING BRAKE ROHS	
2	12-3260-01	SHAFT RIBBON SAVER ROHS	
3	16-2905-01	GEAR BEVEL ROHS	
4	15-2996-03	BRAKE 24 VOLT (MOD) ROHS	
8	DPO10-2976-01	(50PK) SET SCREW M3 X 8 ROHS	
9	DPO10-0557-01	(50PK) SCREW SOC HD CAP 4-40 X 1/4 ROHS	
10	DPO899349	(10PK) BEARING - FLANGED .312 ROHS	
11	DPO10-3021-06	(10PK) E-RING 5/16 CRES ROHS	
12	DPO10-3019-02	(50PK) WASHER SPLIT LOCK #4 CRES ROHS	

Brake Assembly (24-2611-02)



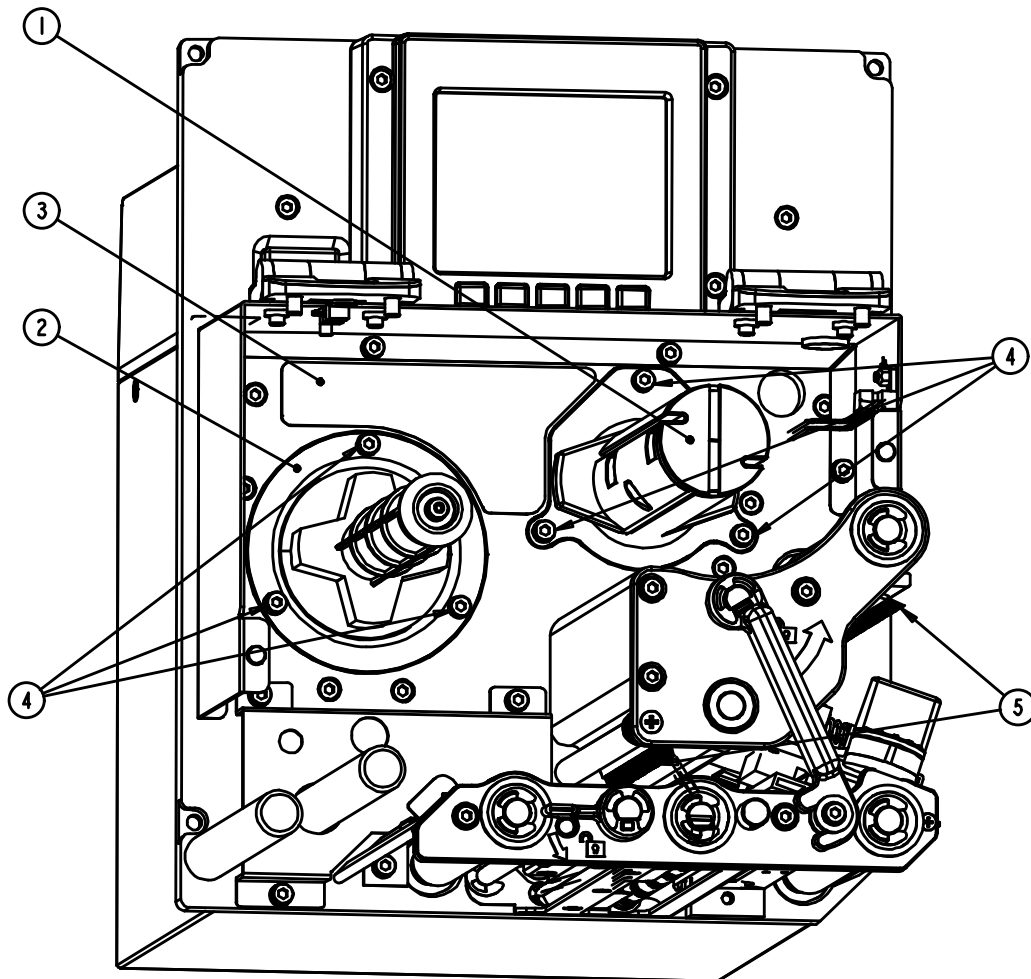
Item	Part Number	Description	Notes
1	12-3222-01	BLOCK MOUNTING BRAKE ROHS	
2	12-3260-01	SHAFT RIBBON SAVER ROHS	
3	16-2905-01	GEAR BEVEL ROHS	
4	15-2996-03	BRAKE 24 VOLT (MOD) ROHS	
8	DPO10-2976-01	(50PK) SET SCREW M3 X 8 ROHS	
9	DPO10-0557-01	(50PK) SCREW SOC HD CAP 4-40 X 1/4 ROHS	
10	DPO899349	(10PK) BEARING - FLANGED .312 ROHS	
11	DPO10-3021-06	(10PK) E-RING 5/16 CRES ROHS	
12	DPO10-3019-02	(50PK) WASHER SPLIT LOCK #4 CRES ROHS	

Ribbon Saver Cam Assembly (15-3002-01)



Item	Part Number	Description	Notes
1	12-3259-01	CAM RIBBON SAVER ROHS	
2	16-2936-01	GEAR 30 TEETH ROHS	
3	12-3238-01	DISK TIMING ROHS	
4	DPO17-2992-01	(5PK) BUSHING SLEEVE ROHS	
5	DPO10-3083-09	(10PK) RING RETAINING C 1/2" CRES ROHS	
6	DPO10-3025-05	(50PK) SCREW SET CUP POINT 6-32 X 3/16 SS ROHS	

Thermal Transfer



Four-Inch Right Hand Models (78-2448-41)

Item	Part Number	Description	Notes
1	15-3007-01	RIBBON TAKE-UP ASSY, 4", RH ROHS	See assembly details
2	15-2979-21	ASSY, HUB, RIB SUPPLY, 4", ROHS	See assembly details
3	14-2807-05	LABEL, LOADING, RH ROHS	
4	DPO10-3085-02	(25PK) SCREW, SH CAP W/ LW, M4 X 8 ROHS	
5	17-2715-01	BRUSH-STATIC 6.5" ROHS	

Six-Inch Right Hand Models (78-2448-42)

Item	Part Number	Description	Notes
1	15-3007-02	RIBBON TAKE-UP ASSY, 6", RH ROHS	See assembly details
2	15-2979-22	ASSY, HUB, RIB SUPPLY, 6", ROHS	See assembly details
3	14-2807-05	LABEL, LOADING, RH ROHS	
4	DPO10-3085-02	(25PK) SCREW, SH CAP W/ LW, M4 X 8 ROHS	
5	17-2716-01	BRUSH-STATIC 9.0" ROHS	

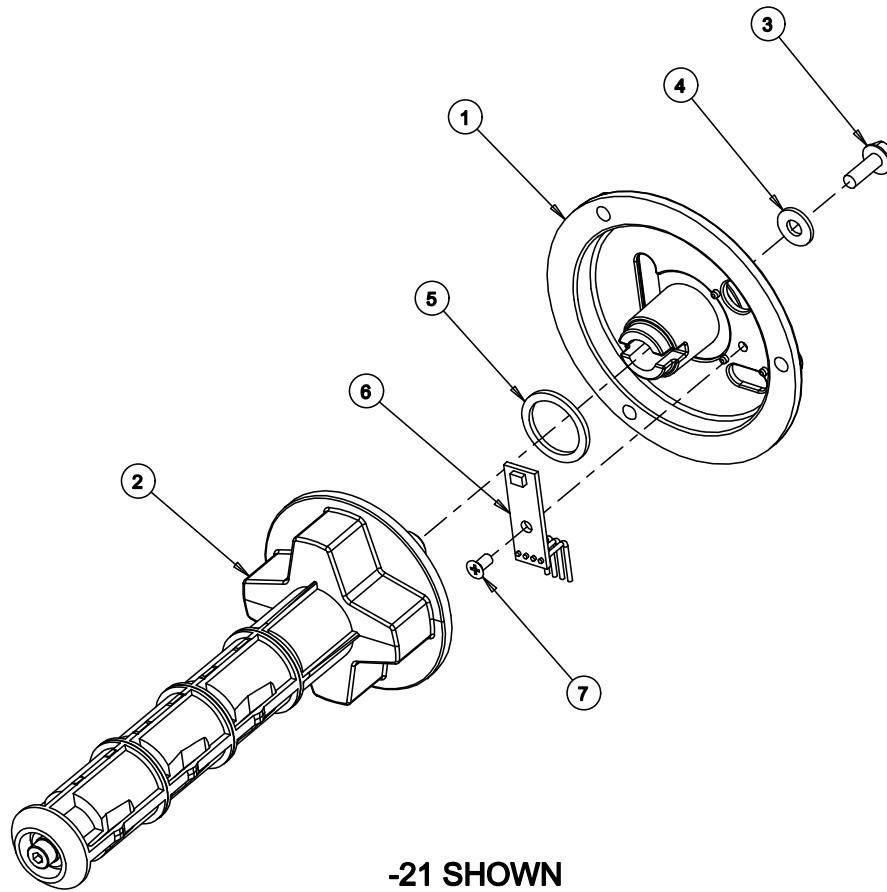
Four-Inch Left Hand Models (78-2448-43)

Item	Part Number	Description	Notes
1	15-3007-11	RIBBON TAKE-UP ASSY, 4", LH ROHS	See assembly details
2	15-2979-21	ASSY, HUB, RIB SUPPLY, 4", ROHS	See assembly details
3	14-2807-06	LABEL, LOADING, LH ROHS	
4	DPO10-3085-02	(25PK) SCREW, SH CAP W/ LW, M4 X 8 ROHS	
5	17-2715-01	BRUSH-STATIC 6.5" ROHS	

Six-Inch Left Hand Models (78-2448-44)

Item	Part Number	Description	Notes
1	15-3007-12	RIBBON TAKE-UP ASSY, 6", LH ROHS	See assembly details
2	15-2979-22	ASSY, HUB, RIB SUPPLY, 6", ROHS	See assembly details
3	14-2807-06	LABEL, LOADING, LH ROHS	
4	DPO10-3085-02	(25PK) SCREW, SH CAP W/ LW, M4 X 8 ROHS	
5	17-2716-01	BRUSH-STATIC 9.0" ROHS	

Ribbon Supply Hub Assembly



-21 SHOWN

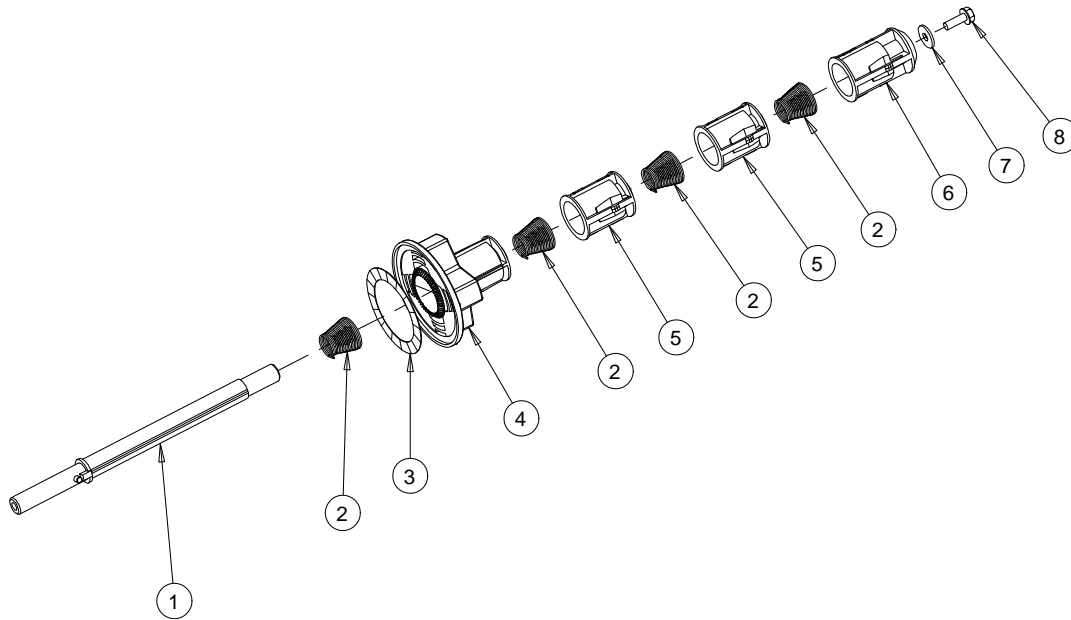
Four-Inch Models, All (15-2979-21)

Item	Part Number	Description	Notes
1	12-3248-01	HOUSING RIBBON SUPPORT ROHS	
2	15-3044-11	HUB ASSY A-CLASS RIB SUP 4" ROHS	See assembly details
3	DPO10-2903-04	(50PK) SCRW SWGFRM M4 PHILIPS HD 12 ROHS	
4	DPO10-3018-04	(25PK) WASHER FLAT #8 CRES ROHS	
5	DPO17-2869-01	(50PK) WASHER FLAT NYLON ROHS	
6	51-2375-01	CCA RIBBON SENSOR A-CLASS ROHS	
7	DPO10-3088-01	(25PK) SCREW FLATHEAD CRES M3 X 6 ROHS	

Six-Inch Models, All (15-2979-22)

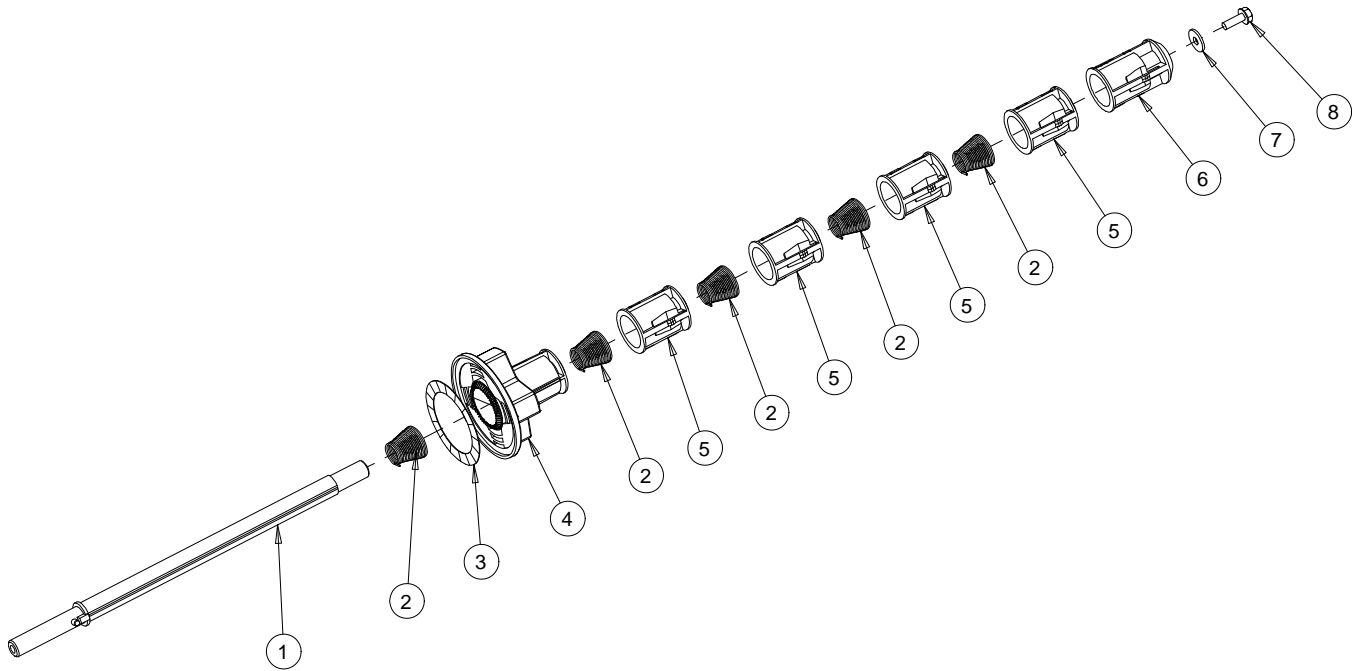
Item	Part Number	Description	Notes
1	12-3248-01	HOUSING RIBBON SUPPORT ROHS	
2	15-3044-12	HUB ASSY A-CLASS RIB SUP 6" ROHS	See assembly details
3	DPO10-2903-04	(50PK) SCRW SWGFRM M4 PHILIPS HD 12 ROHS	
4	DPO10-3018-04	(25PK) WASHER FLAT #8 CRES ROHS	
5	DPO17-2869-01	(50PK) WASHER FLAT NYLON ROHS	
6	51-2375-01	CCA RIBBON SENSOR A-CLASS ROHS	
7	DPO10-3088-01	(25PK) SCREW FLATHEAD CRES M3 X 6 ROHS	

Ribbon Supply Hub, Four-Inch Models (15-3044-11)



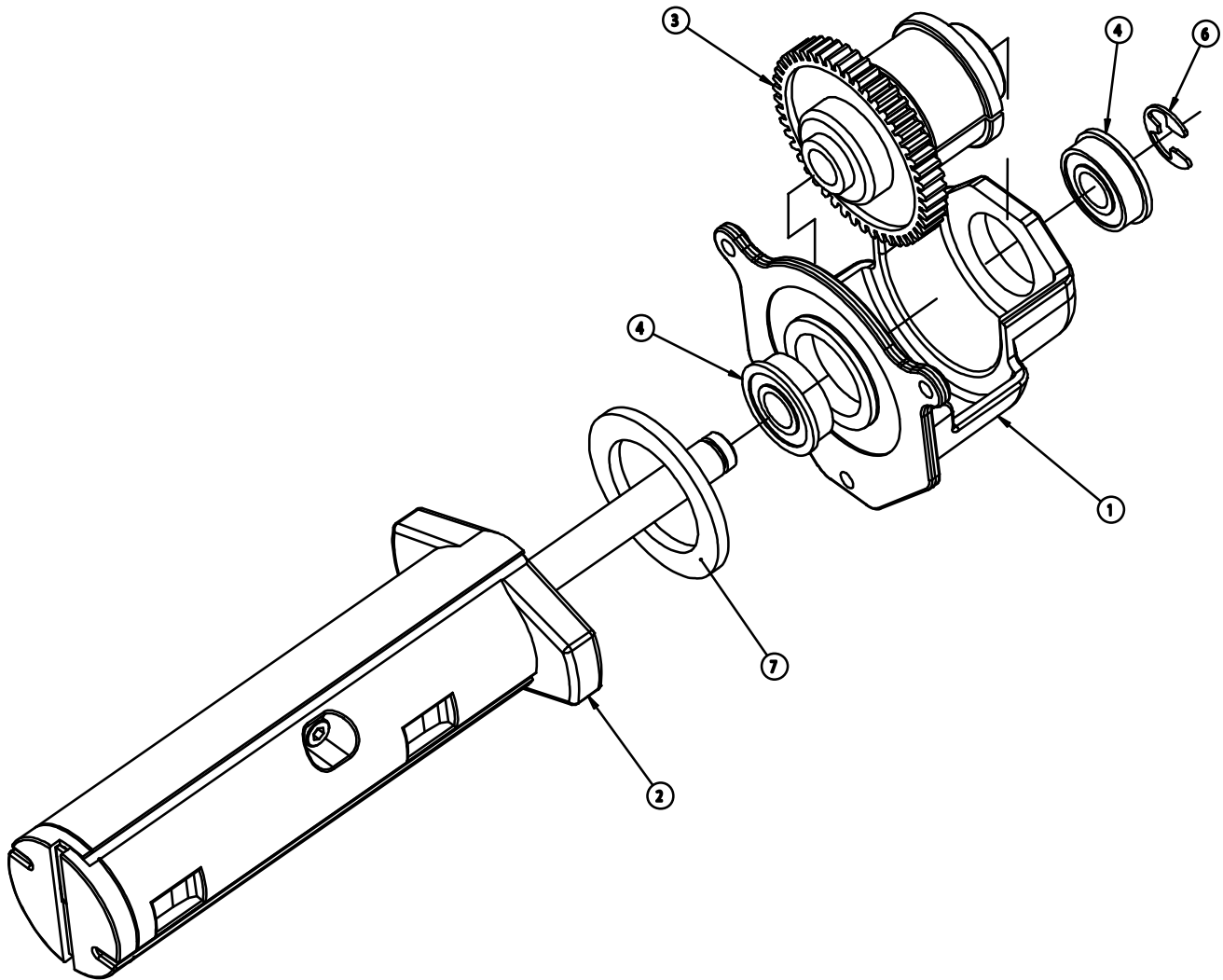
Item	Part Number	Description	Notes
1	16-3000-01	SHAFT FRICTION 4" ROHS	
2	DPO17-3071-01	(5PK) SPRING TORSION ROHS	
3	DPO14-2706-01	(10PK) LABEL RIBBON SENSOR ROHS	
4	16-2996-01	HUB INNER ROHS	
5	DPO16-2997-01	(2PK) HUB MIDDLE ROHS	
6	DPO16-2998-01	(2PK) HUB OUTER ROHS	
7	DPO10-3018-04	(25PK) WASHER FLAT #8 CRES ROHS	
8	DPO10-3085-04	(25PK) SCRW SH CAP W/LW M4 X 12 ROHS	

Ribbon Supply Hub, Six-Inch Models (15-3044-12)



Item	Part Number	Description	Notes
1	16-3000-02	SHAFT FRICTION 6" ROHS	
2	DPO17-3071-01	(5PK) SPRING TORSION ROHS	
3	DPO14-2706-01	(10PK) LABEL RIBBON SENSOR ROHS	
4	16-2996-01	HUB INNER ROHS	
5	DPO16-2997-01	(2PK) HUB MIDDLE ROHS	
6	DPO16-2998-01	(2PK) HUB OUTER ROHS	
7	DPO10-3018-04	(25PK) WASHER FLAT #8 CRES ROHS	
8	DPO10-3085-04	(25PK) SCRW SH CAP W/ LW M4 X 12 ROHS	

Ribbon Take-up Assembly



Four-Inch Right Hand Models (15-3007-01)

Item	Part Number	Description	Notes
1	12-3225-01	HOUSING, RIBBON SPOOL ROHS	
2	15-2978-01	HUB ASSEMBLY TAKE-UP 4" ROHS	
3	DPR15-2776-21	(2/PK) CLUTCH ASSEMBLY, RIBBON REWIND	
4	17-3028-01	BEARING FLANGED 440C 3/8X7/8 ROHS	
6	DPO10-3021-07	(25PK) E-RING 3/8 TRUARC CRES ROHS	
7	DPO13-2409-01	(10PK) DISK FRICTION .125 THICK ROHS	

Six-Inch Right Hand Models (15-3007-02)

Item	Part Number	Description	Notes
1	12-3225-01	HOUSING, RIBBON SPOOL ROHS	
2	15-2978-02	HUB ASSEMBLY, TAKE-UP, 6" ROHS	
3	DPR15-2776-21	(2/PK) CLUTCH ASSEMBLY, RIBBON REWIND	
4	17-3028-01	BEARING FLANGED 440C 3/8X7/8 ROHS	
6	DPO10-3021-07	(25PK) E-RING 3/8 TRUARC CRES ROHS	
7	DPO13-2409-01	(10PK) DISK FRICTION .125 THICK ROHS	

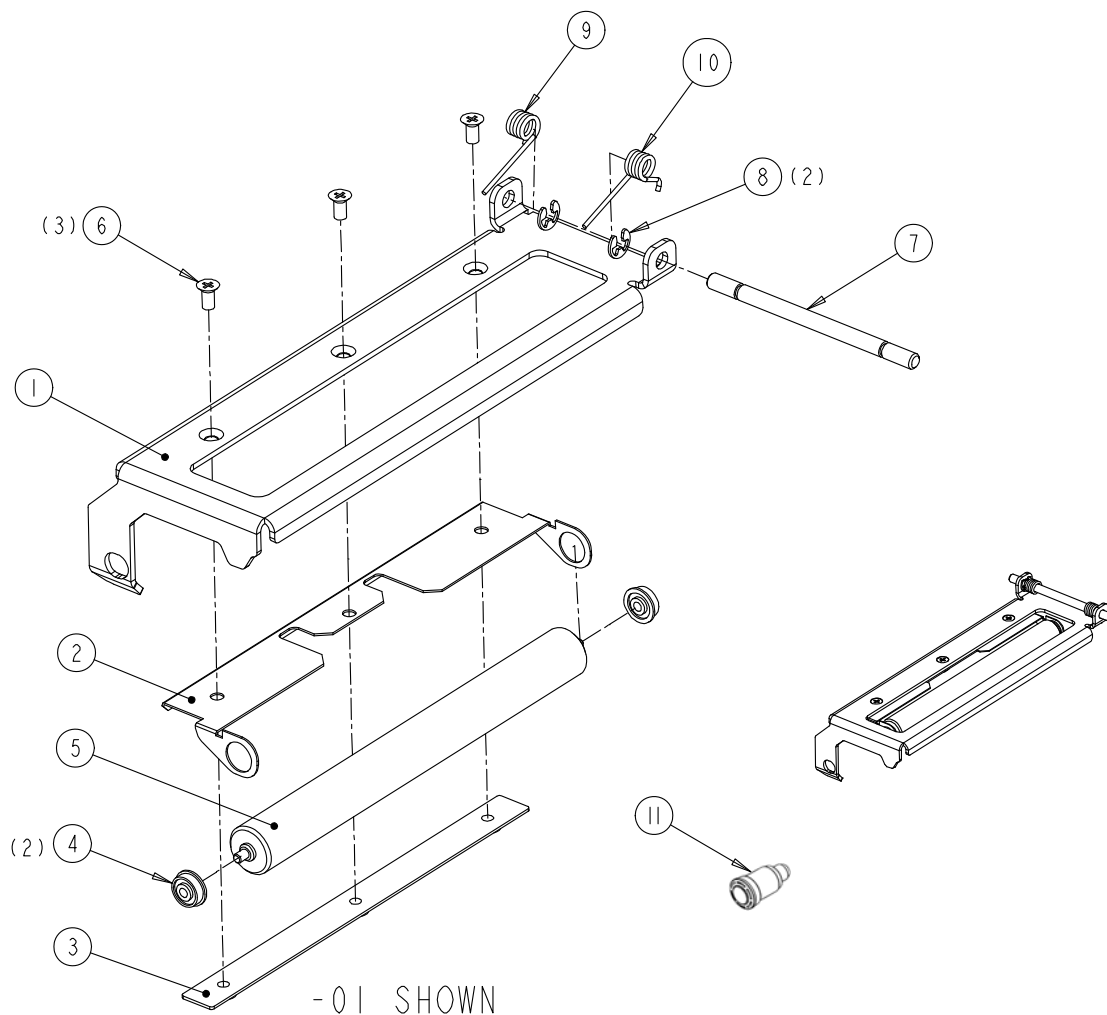
Four-Inch Left Hand Models (15-3007-11)

Item	Part Number	Description	Notes
1	12-3225-01	HOUSING, RIBBON SPOOL ROHS	
2	15-2978-01	HUB ASSEMBLY TAKE-UP 4" ROHS	
3	15-2776-22	CLUTCH ASSY RIBBON LH ROHS	
4	17-3028-01	BEARING FLANGED 440C 3/8X7/8 ROHS	
6	DPO10-3021-07	(25PK) E-RING 3/8 TRUARC CRES ROHS	
7	DPO13-2409-01	(10PK) DISK FRICTION .125 THICK ROHS	

Six-Inch Left Hand Models (15-3007-12)

Item	Part Number	Description	Notes
1	12-3225-01	HOUSING, RIBBON SPOOL ROHS	
2	15-2978-02	HUB ASSEMBLY, TAKE-UP, 6" ROHS	
3	15-2776-22	CLUTCH ASSY RIBBON LH ROHS	
4	17-3028-01	BEARING FLANGED 440C 3/8X7/8 ROHS	
6	DPO10-3021-07	(25PK) E-RING 3/8 TRUARC CRES ROHS	
7	DPO13-2409-01	(10PK) DISK FRICTION .125 THICK ROHS	

Top Pinch Roller, Right Hand Models



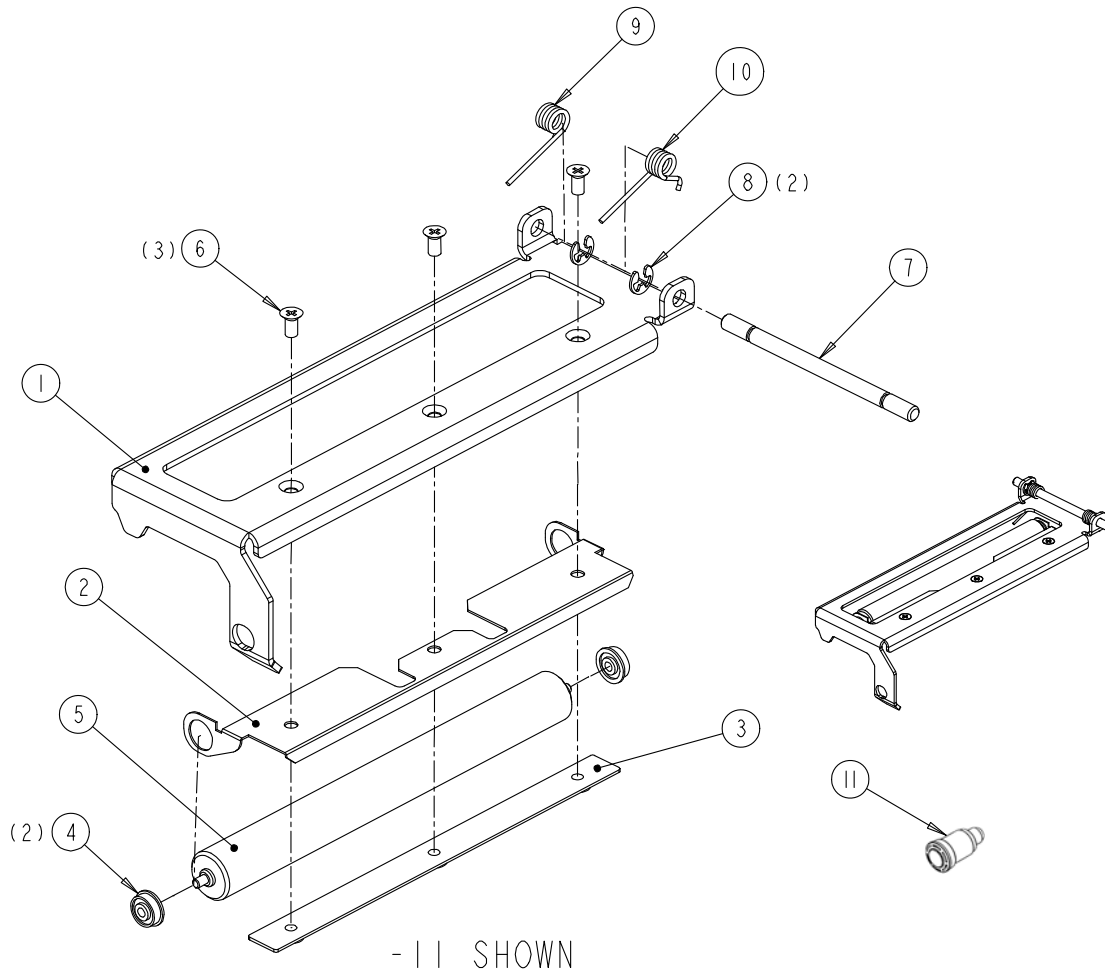
Four-Inch Right Hand Models (DPO78-2806-01)

Item	Part Number	Description	Notes
1	11-5789-01	G2 FRAME PINCH ROLLER 4" RH	
2	11-5787-01	G2 SPRING FLAT 4" FOR PINCH ROLLER	
3	11-5788-01	G2 PLATE SCREW 4" FOR PINCH ROLLER	
4	17-2856-01	BEARING BALL FL .0937 X .3125 ROHS	
5	12-3494-01	G2 ROLLER PINCH 4"	
6	DPO10-3088-01	(25PK) SCREW FLATHEAD CRES M3 X 6 ROHS	
7	12-3495-01	G2 ROD PINCH ROLLER PIVET	
8	DPO10-3021-03	(25PK) RING RETAINING 5/32 CRES ROHS	
9	17-3169-01	G2 SPRING TORSION .038 DIA LH	
10	17-3169-02	G2 SPRING TORSION .038 DIA RH	
11	10-3165-02	G2 PLUNGER SPRING LOAD 56-170-2-014	

Six-Inch Right Hand Models (DPO78-2806-02)

Item	Part Number	Description	Notes
1	11-5789-02	G2 FRAME PINCH ROLLER 6" RH	
2	11-5787-02	G2 SPRING FLAT 6" FOR PINCH ROLLER	
3	11-5788-02	G2 PLATE SCREW 6" FOR PINCH ROLLER	
4	17-2856-01	BEARING BALL FL .0937 X .3125 ROHS	
5	12-3494-02	G2 ROLLER PINCH 6"	
6	DPO10-3088-01	(25PK) SCREW FLATHEAD CRES M3 X 6 ROHS	
7	12-3495-01	G2 ROD PINCH ROLLER PIVET	
8	DPO10-3021-03	(25PK) RING RETAINING 5/32 CRES ROHS	
9	17-3169-01	G2 SPRING TORSION .038 DIA LH	
10	17-3169-02	G2 SPRING TORSION .038 DIA RH	
11	10-3165-02	G2 PLUNGER SPRING LOAD 56-170-2-014	

Top Pinch Roller, Left Hand Models



Four-Inch Left Hand Models (DPO78-2806-11)

Item	Part Number	Description	Notes
1	11-5797-01	G2 FRAME PINCH ROLLER LH 4"	
2	11-5787-01	G2 SPRING FLAT 4" FOR PINCH ROLLER	
3	11-5788-01	G2 PLATE SCREW 4" FOR PINCH ROLLER	
4	17-2856-01	BEARING BALL FL .0937 X .3125 ROHS	
5	12-3494-01	G2 ROLLER PINCH 4"	
6	DPO10-3088-01	(25PK) SCREW FLATHEAD CRES M3 X 6 ROHS	
7	12-3495-01	G2 ROD PINCH ROLLER PIVET	
8	DPO10-3021-03	(25PK) RING RETAINING 5/32 CRES ROHS	
9	17-3169-01	G2 SPRING TORSION .038 DIA LH	
10	17-3169-02	G2 SPRING TORSION .038 DIA RH	
11	10-3165-02	G2 PLUNGER SPRING LOAD 56-170-2-014	

Six-Inch Left Hand Models (DPO78-2806-12)

Item	Part Number	Description	Notes
1	11-5797-02	G2 FRAME PINCH ROLLER LH 6"	
2	11-5787-02	G2 SPRING FLAT 6" FOR PINCH ROLLER	
3	11-5788-02	G2 PLATE SCREW 6" FOR PINCH ROLLER	
4	17-2856-01	BEARING BALL FL .0937 X .3125 ROHS	
5	12-3494-02	G2 ROLLER PINCH 6"	
6	DPO10-3088-01	(25PK) SCREW FLATHEAD CRES M3 X 6 ROHS	
7	12-3495-01	G2 ROD PINCH ROLLER PIVET	
8	DPO10-3021-03	(25PK) RING RETAINING 5/32 CRES ROHS	
9	17-3169-01	G2 SPRING TORSION .038 DIA LH	
10	17-3169-02	G2 SPRING TORSION .038 DIA RH	
11	10-3165-02	G2 PLUNGER SPRING LOAD 56-170-2-014	

A-Class™

Replacement Parts Catalog ■ ■ ■



right by our customers. ■ ■ ■



datamax·o'neil

Contents

A-Class Right Hand 4" Model Printer Assemblies	1
Cover Assembly (15-3021-01)	2
Display Assembly (24-2605-01)	3
Direct Thermal (78-2474-01)	4
Printer Assembly 1 of 6	5
Printer Assembly 2 of 6	6
Printer Assembly 3 of 6	7
Printer Assembly 4 of 6	8
Printer Assembly 5 of 6	9
Printer Assembly 6 of 6	9
Platen Roller Assembly, Main (15-3019-01)	12
Platen Roller Assembly, Linerless Models only (15-3019-21)	12
Peel Roller Assembly (15-3019-02)	13
Peel Roller Assembly, Linerless Models only (15-3019-22)	13
Take-up Roller Assembly (15-3019-03)	14
Printhead / Pulley Kit, 203DPI	15
Printhead / Pulley Kit, 300DPI	16
Printhead / Pulley Kit, 406DPI	17
Printhead / Pulley Kit, 600DPI	18
Printhead Assembly (15-2977-01)	19
Printhead Pressure Assembly (15-3186-01)	20
Latch Assembly 4" (15-2975-01)	21
Peel Assembly (15-2974-01)	22
Card Cage Assembly (24-2569-01)	23
 A-Class Right Hand 6" Model Printer Assemblies	 24
Cover Assembly (15-3021-02)	25
Display Assembly (24-2605-01)	26
Direct Thermal (78-2474-01)	27
Printer Assembly 1 of 6	28
Printer Assembly 2 of 6	29
Printer Assembly 3 of 6	30
Printer Assembly 4 of 6	31
Printer Assembly 5 of 6	32
Printer Assembly 6 of 6	32
Platen Roller Assembly (15-3019-11)	35
Peel Roller Assembly (15-3019-12)	35
Take-up Roller Assembly (15-3019-13)	36
Printhead / Pulley Kit, 203DPI	37
Printhead / Pulley Kit, 300DPI	38
Printhead Assembly (15-2977-02)	39
Printhead Pressure Assembly (15-3186-02)	40
Latch Assembly 6" (15-2975-02)	41
Peel Assembly (15-2974-02)	42
Card Cage Assembly (24-2569-01)	43

A-Class Left Hand 4" Model Printer Assemblies	44
Cover Assembly (15-3021-11)	45
Display Assembly (24-2605-01)	46
Direct Thermal (78-2474-01)	47
Printer Assembly 1 of 6	48
Printer Assembly 2 of 6	49
Printer Assembly 3 of 6	50
Printer Assembly 4 of 6	51
Printer Assembly 5 of 6	52
Printer Assembly 6 of 6	52
Platen Roller Assembly (15-3019-01)	55
Platen Roller Assembly, Linerless Models only (15-3019-21)	55
Peel Roller Assembly (15-3019-02)	56
Peel Roller Assembly, Linerless Models only (15-3019-22)	56
Take-up Roller Assembly (15-3019-03)	57
Printhead / Pulley Kit, 203DPI	58
Printhead / Pulley Kit, 300DPI	59
Printhead / Pulley Kit, 406DPI	60
Printhead / Pulley Kit, 600DPI	61
Printhead Assembly (15-2977-11)	62
Printhead Pressure Assembly (15-3186-11)	63
Latch Assembly 4" (15-2975-01)	64
Peel Assembly (15-2974-11)	65
Card Cage Assembly (24-2569-01)	66
A-Class Left Hand 6" Model Printer Assemblies	67
Cover Assembly (15-3021-12)	68
Display Assembly (24-2605-01)	69
Direct Thermal (78-2474-01)	70
Printer Assembly 1 of 6	71
Printer Assembly 2 of 6	72
Printer Assembly 3 of 6	73
Printer Assembly 4 of 6	74
Printer Assembly 5 of 6	75
Printer Assembly 6 of 6	75
Platen Roller Assembly (15-3019-11)	78
Peel Roller Assembly (15-3019-12)	78
Take-up Roller Assembly (15-3019-13)	79
Printhead / Pulley Kit, 203DPI	80
Printhead / Pulley Kit, 300DPI	81
Printhead Assembly (15-2977-12)	82
Printhead Pressure Assembly (15-3186-12)	83
Latch Assembly 6" (15-2975-02)	84
Peel Assembly (15-2974-12)	85
Card Cage Assembly (24-2569-01)	86

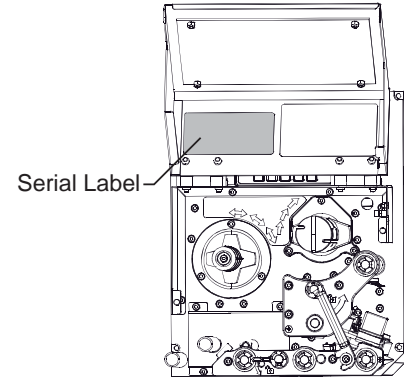
A-Class Options	87
Twinax Interface (78-2305-21)	88
Coax Interface (78-2305-22)	89
Ethernet Interfaces	90
Main Logic Board (78-2476-02)	91
Remote Display Assembly	91
Thermal Transfer Option Assembly – Bi-Directional.....	92
Ribbon Take-up Assembly	93
Ribbon Supply Hub Assembly	94
Ribbon Supply Hub	95
Ribbon Saver, Right Hand Four-Inch Models (78-2449-01)	96
Brake Assembly (24-2611-01)	98
Ribbon Saver, Right Hand Six-Inch Models (78-2449-02)	99
Brake Assembly (24-2611-01)	101
Ribbon Saver, Left Hand Four-Inch Models (78-2449-11)	102
Brake Assembly (24-2611-02)	104
Ribbon Saver, Left Hand Six-Inch Models (78-2449-12)	105
Brake Assembly (24-2611-02)	107
Ribbon Saver Cam Assembly, all Ribbon Saver models (15-3002-01)	108
RFID Option.....	109
Linerless Cutter, Right Hand, Four-Inch Models only (DPO61-2173-02)	111

Using this Manual

Before using this manual it is important to identify the model printer you are locating parts for. Many parts are used across all models, yet some are specific to certain models. The model of printer is located on the serial label on the rear of the printer.

This manual covers the following A-Class models:

A-4212, A-4310, A-4408, A-4606, A-6212, and A-6310

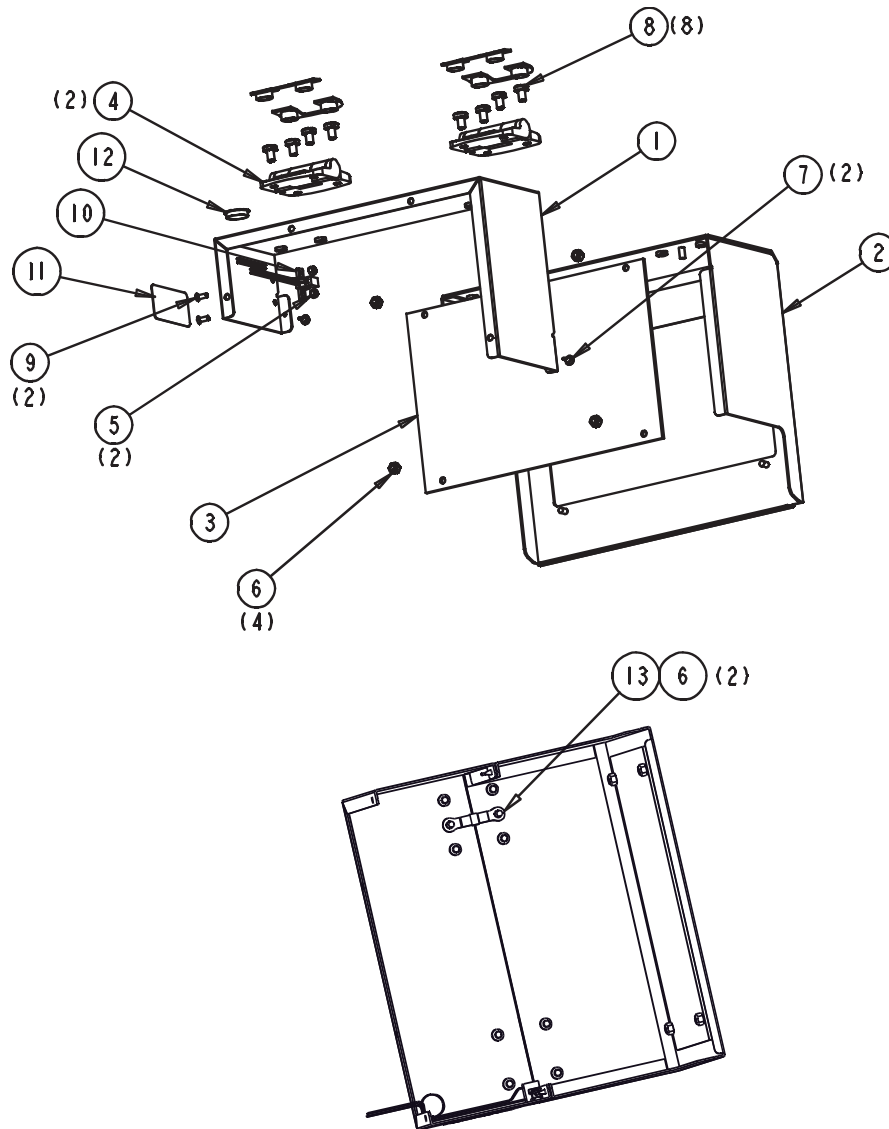


Revision Listing

Date	Rev.	Changes
10/1/09	A	Initial Release
3/16/11	B	16-2906-01 CAM NARROW MEDIA, Replaced with: DPO16-2906-01 (2PK) CAM NARROW MEDIA
10/1/11	C	Removed 17-2630-01 17-2816-01 replaced with DPO17-2816-01 (10 pack) 20-2181-01 replaced with PHD20-2181-01 20-2182-01 replaced with PHD20-2182-01 20-2208-01 replaced with PHD20-2208-01 20-2209-01 replaced with PHD20-2209-01 20-2164-01 replaced with PHD20-2164-01 20-2195-01 replaced with PHD20-2195-01
6/1/12	D	24-2604-01 replaced with DPO24-2604-01 (2 pack) 15-2776-21 replaced by DPR15-2776-21 (2 pack)
12/1/12	E	51-2354-00 CCA Applicator Interface Replaced with: DPO51-2404-10 (1/PK)CCA, Applicator 17-3071-01 Spring Torsion Replaced with: DPO17-3221-01 (4PK) Spring Torsion Added: DPO17-3104-02 Antenna R. Duck RP/SMA
12/1/13	F	17-2989-01 Spring Extension Replaced with 17-3094-01 Spring Extension

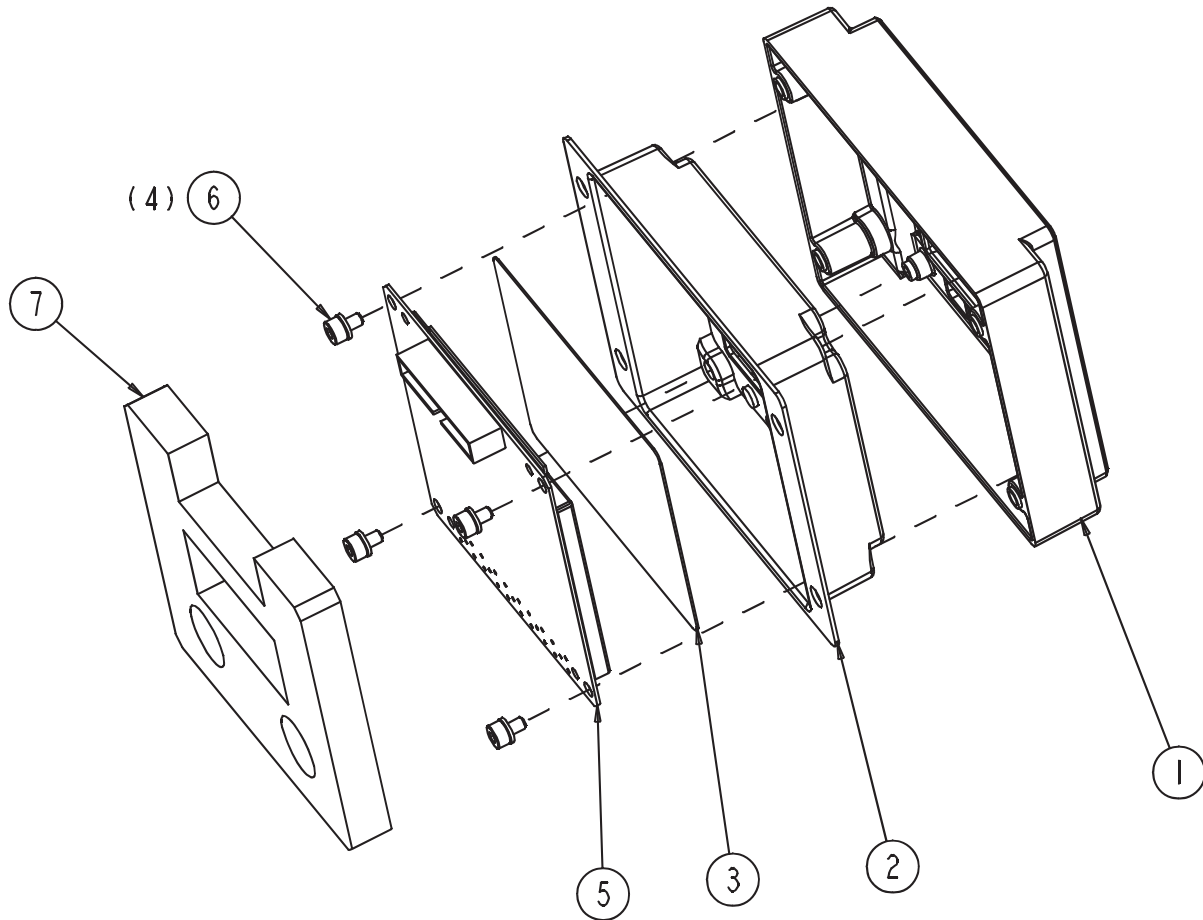
A-Class Right Hand 4" Model Printer Assemblies

Cover Assembly (15-3021-01)



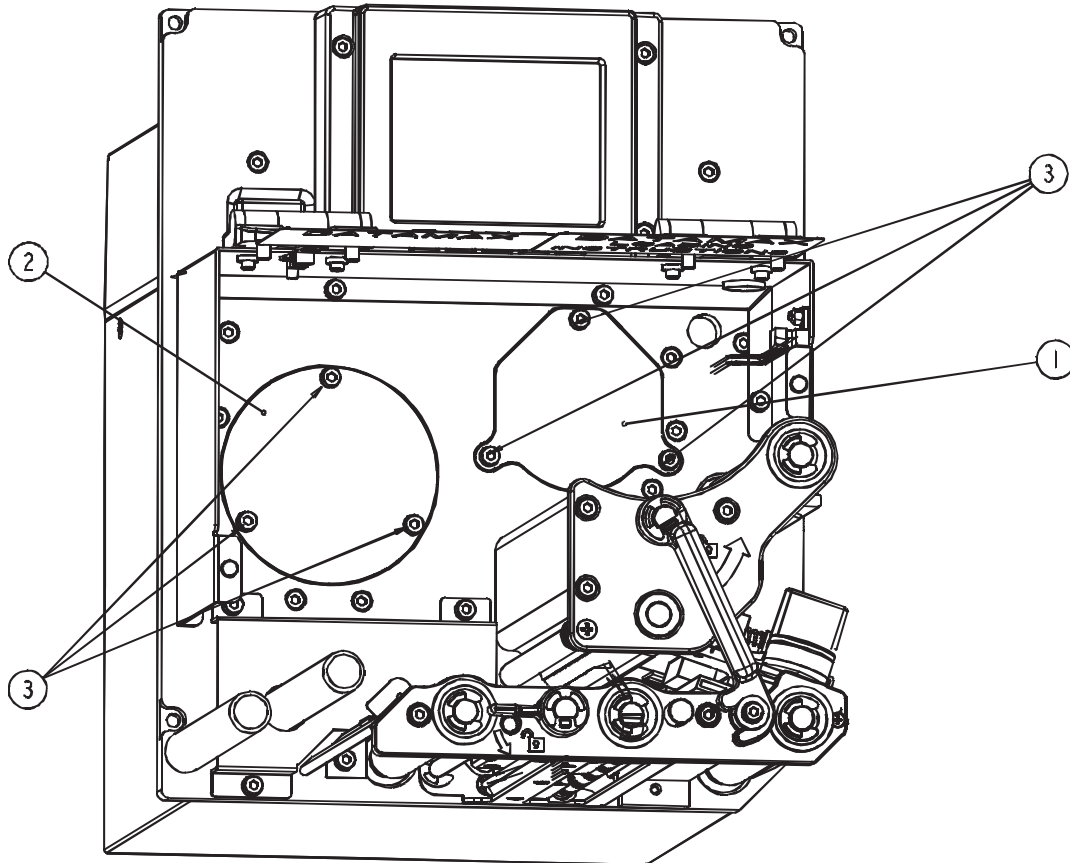
#	Part#	Description	Notes
1	11-5533-01	COVER INNER 4" RH	
2	11-5534-01	COVER OUTER RH	
3	16-2887-01	WINDOW	
4	17-3036-01	HINGE	
5	DPO10-3086-01	(25PK) NUT HEX SELF-LOCKING M3 CRES	
6	DPO10-3091-01	(50PK) NUT HEX SELF-LOCKING M4 CRES	
7	13-2392-01	BUMPER PULL THRU	
8	DPO10-3090-01	(50PK) SCREW PANHEAD M5 X 8 CRES	
9	DPO10-3088-02	(25PK) SCREW FLATHEAD CRES M3 X 8	
10	24-2618-01	CABLE ASSY COVER OPEN	
11	14-2835-01	LABEL WARNING	
12	17-3067-01	PLUG 5/8 HOLE	
13	32-2553-01	GROUND CABLE A-CLASS COVER	

Display Assembly (24-2605-01)



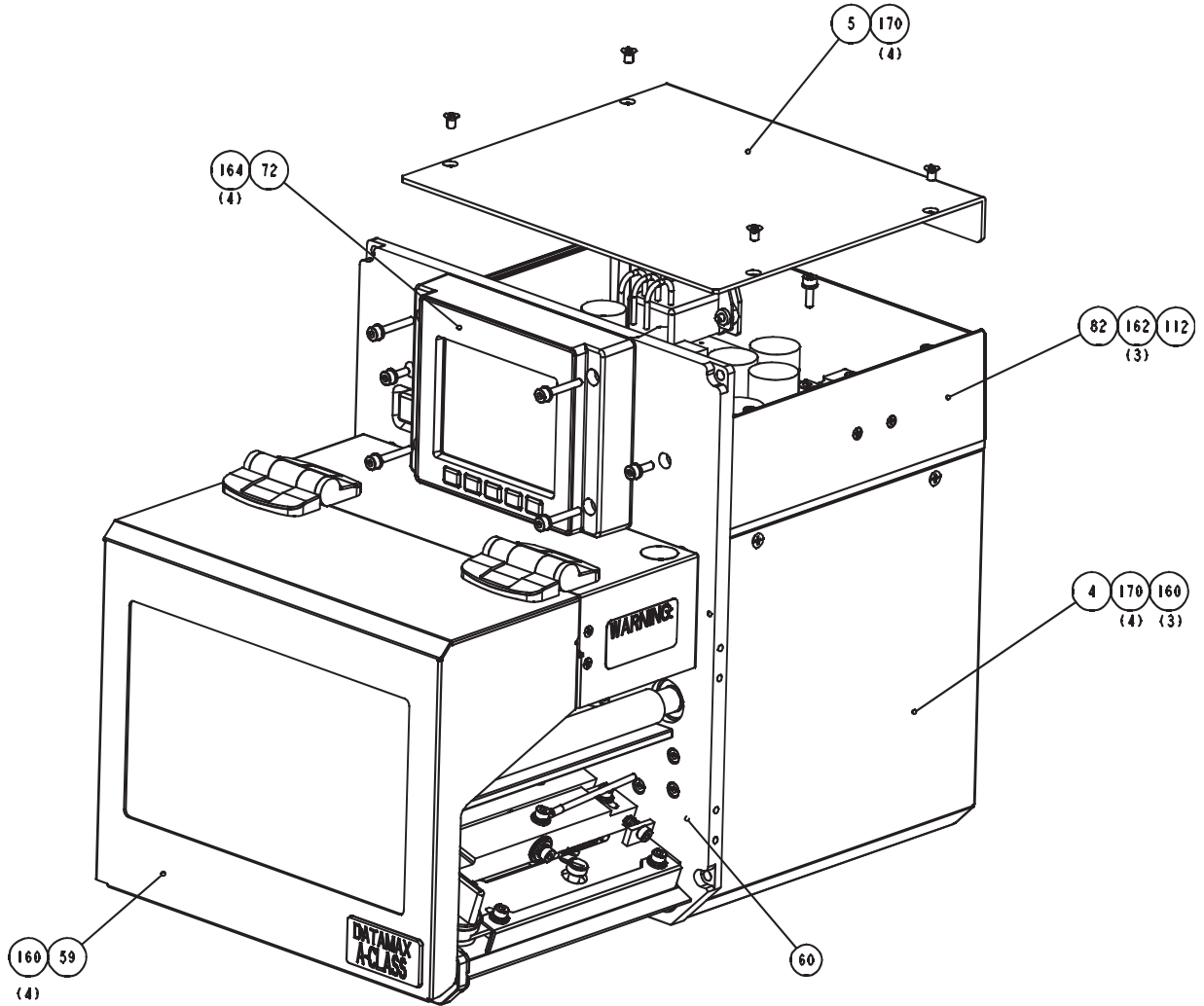
#	Part#	Description	Notes
1	12-3270-01	BEZEL DISPLAY	
2	16-2916-01	KEYPAD 5 BUTTON	
3	16-2961-01	COVER LCD	
5	45-2021-01	DISPLAY GRAPHICS 320X240	
6	DPO10-3085-02	(25PK) SCREW SOC HD CAP W/ LW M4 X 8	
7	13-2425-01	FILLER CONTROL PANEL BOOT	

Direct Thermal (78-2474-01)

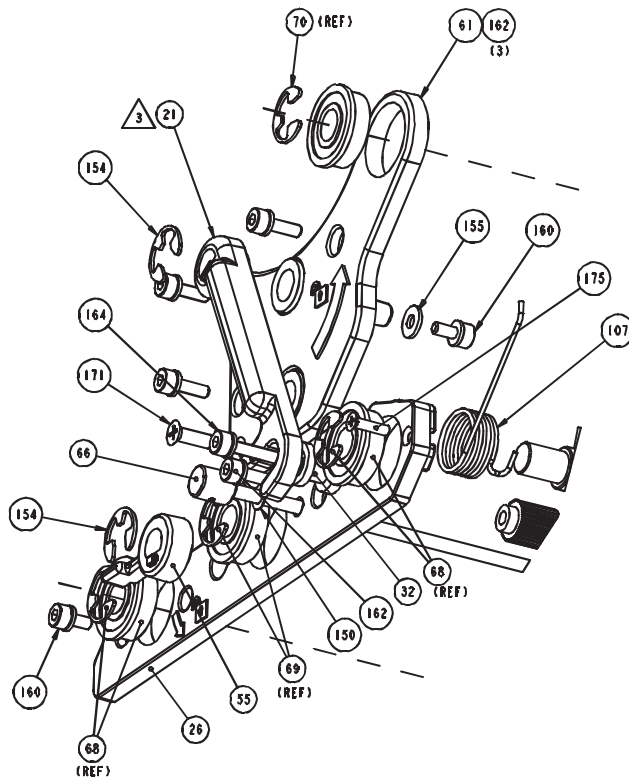
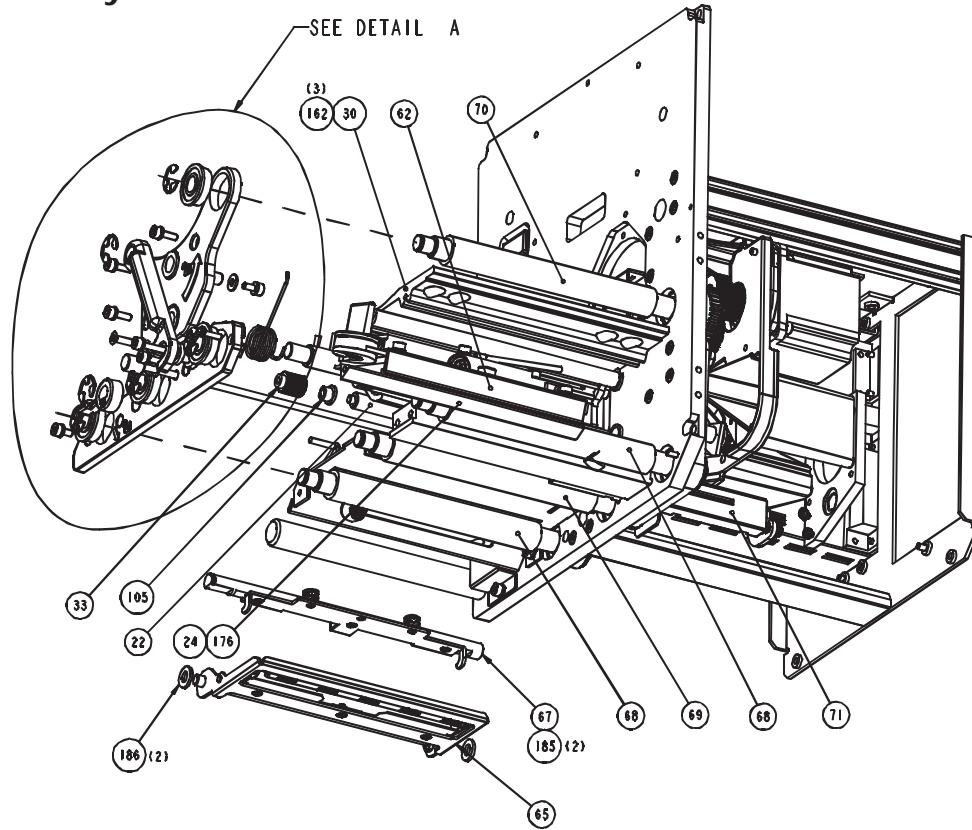


#	Part#	Description	Notes
1	11-5584-01	COVER RIBBON TAKE-UP	
2	11-5585-01	COVER RIBBON SUPPLY	
3	DPO10-3085-02	(25PK) SCREW SOC HD CAP W/ LW M4 X 8	

Printer Assembly 1 of 6

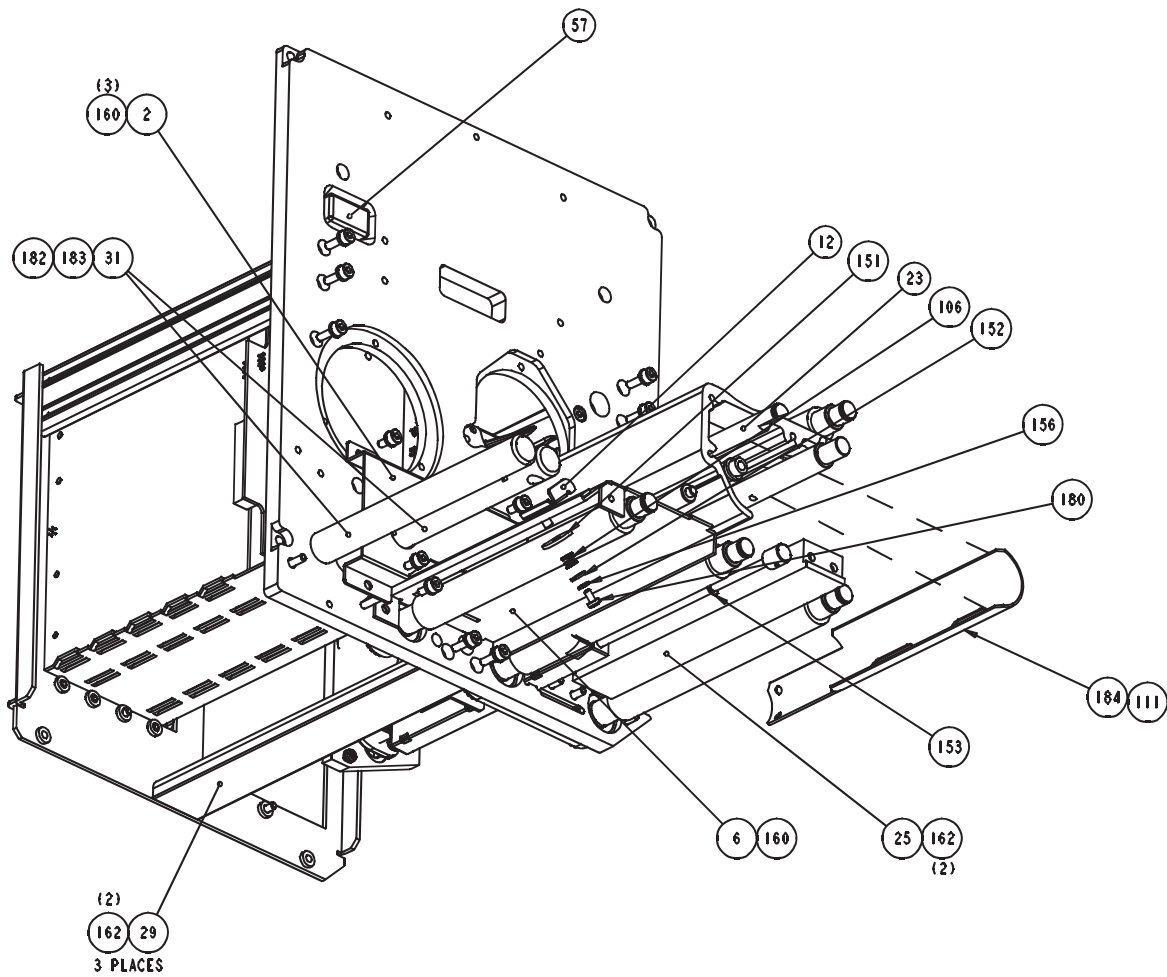


Printer Assembly 2 of 6

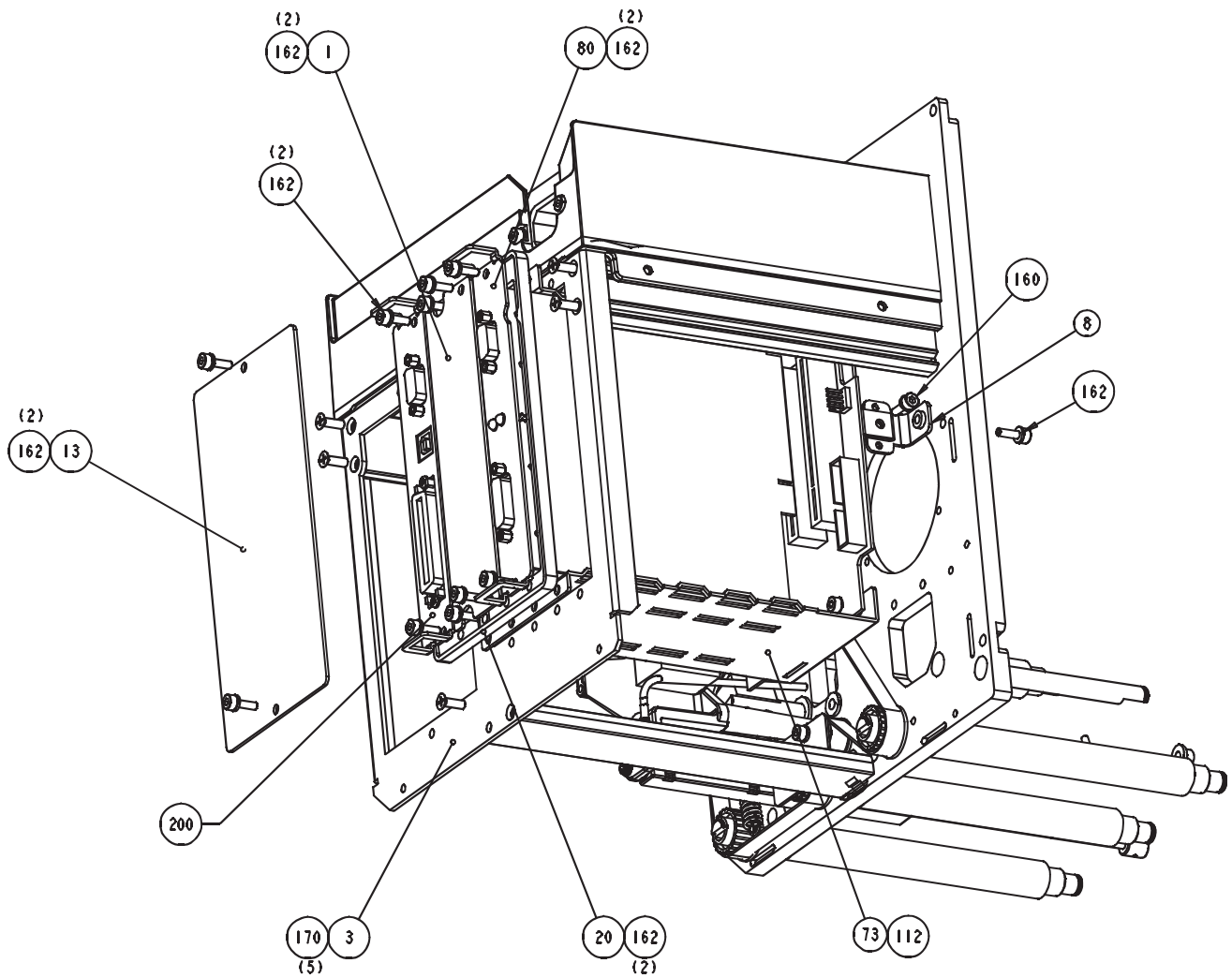


DETAIL A

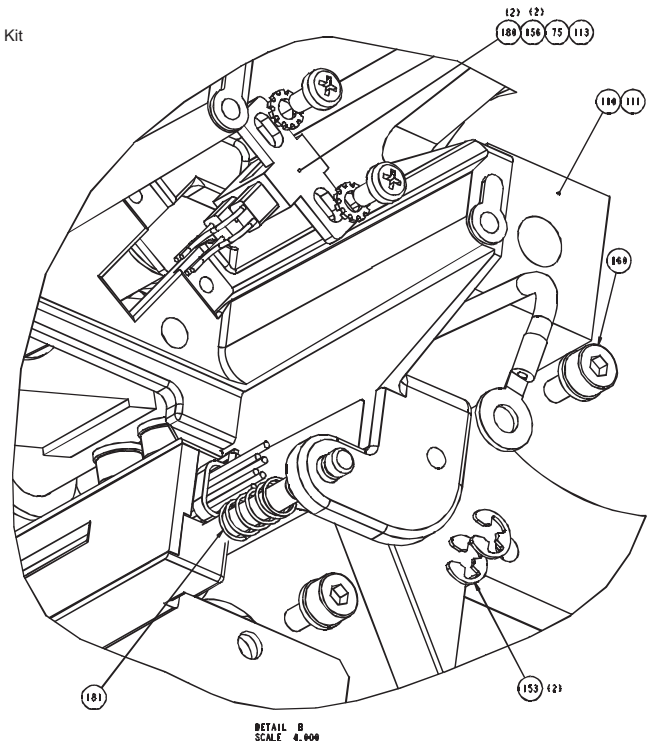
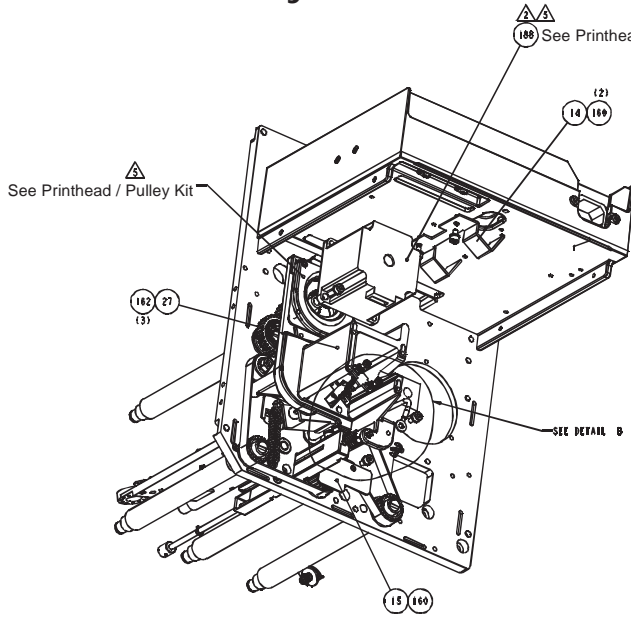
Printer Assembly 3 of 6



Printer Assembly 4 of 6

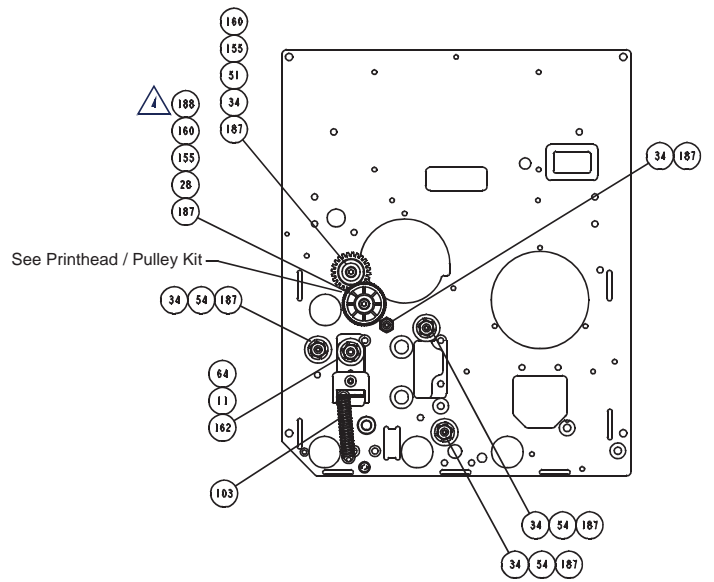
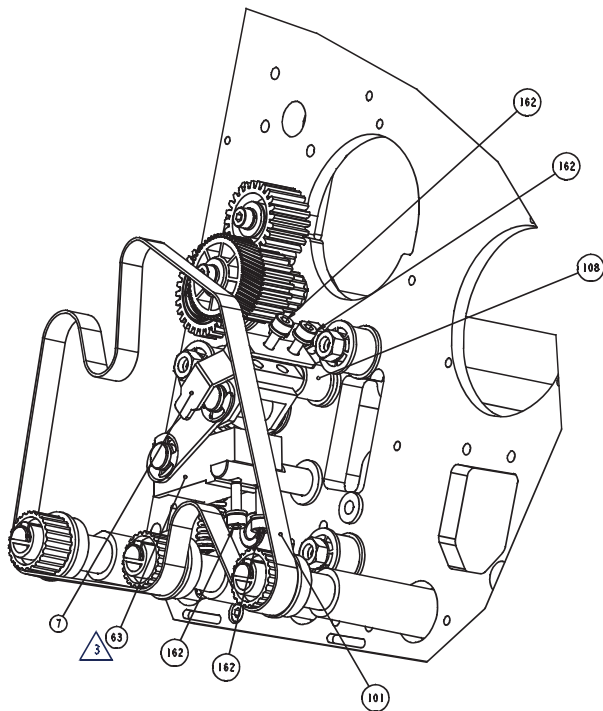


Printer Assembly 5 of 6



- 2 Apply tem 188 to the motor gear.
- 5 Position Motor Spacer and Motor so helical gears are tightly meshed.

Printer Assembly 6 of 6



- 3 Handle must rotate freely. Loosen screws that mount Item 63, raise and lower handle, then tighten screws.
- 4 Add Item 188 to tem 28 prior to installing compound gear.

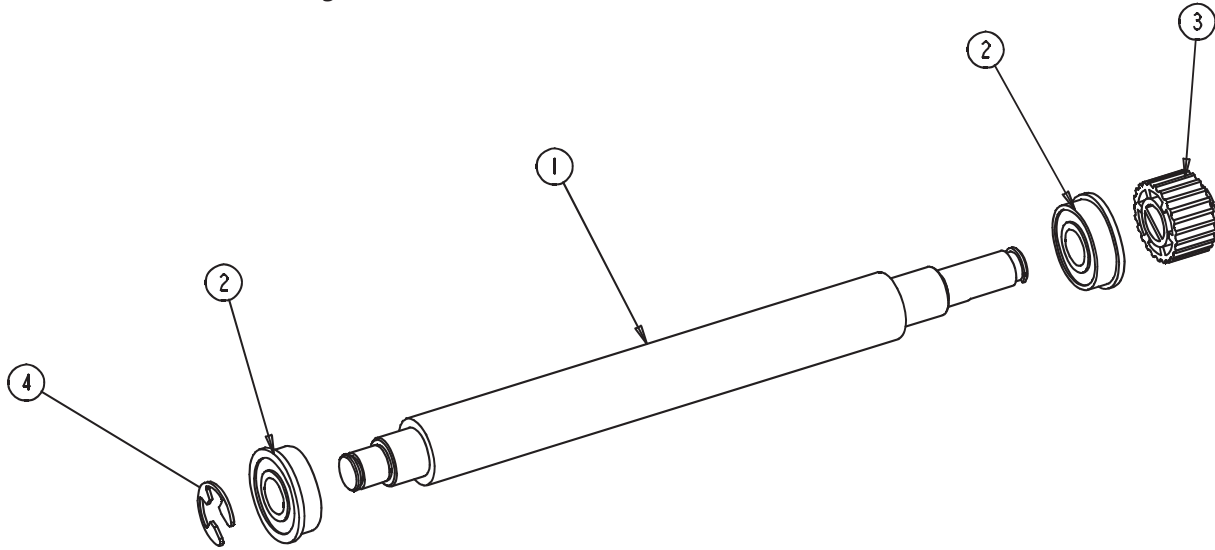
Printer Assemblies 1 - 6

#	Part#	Description	Notes
1	11-5279-01	PLATE COVER EXPANSION	
2	11-5528-01	PLATE GUIDE MEDIA RH	
	11-5528-11	<i>Linerless Models only:</i> PLATE GUIDE MEDIA RH, COATED	
3	11-5529-03	PLATE REAR RH	
4	11-5530-01	COVER REAR	
5	11-5531-01	COVER TOP	
6	11-5532-01	PLATE LOWER 4" RH	
	11-5532-21	<i>Linerless Models only:</i> PLATE LOWER 4" RH, COATED	
7	11-5556-01	FLAG PH OPEN	
8	11-5577-01	SUPPORT CARD CAGE	
11	11-5570-01	PLATE NUT	
12	11-5536-01	GUIDE MEDIA ADJUSTABLE RH	
	11-5536-11	<i>Linerless Models only:</i> GUIDE MEDIA ADJ. RH, COATED	
13	11-5427-01	PLATE COVER	
14	11-5602-01	BRACKET RETAINER CABLE	
15	11-5603-01	COVER CABLE	
20	12-2958-01	PLATE MOUNTING REAR	
21	12-3255-01	HANDLE LATCH RH	
22	12-3052-02	SHAFT RIBBON IDLER 4"	
23	12-3217-01	SHAFT LATCH PRINTHEAD 4"	
24	12-3488-01	BAR PEEL 4"	
25	12-3244-01	BLOCK SUPPORT PLATEN 4"	
	12-3380-01	<i>Linerless Models only:</i> BLOCK SUPPORT PLATEN 4"	
26	12-3214-01	PLATE SIDE LOWER RH 4"	
27	12-3286-01	BRACKET SUPPORT MOTOR RH	
28	12-3432-01	POST IDLER	
29	12-3221-01	BLOCK SUPPORT REAR	
30	12-3215-01	SUPPORT CENTER 4"	
31	12-3254-01	POST MEDIA 4"	
32	12-3282-01	POST LATCH	
33	12-3051-01	CAM IDLER RIBBON	
34	12-3219-01	POST ILDER	
51	16-2935-01	GEAR IDLER	
54	15-3119-01	ASSEMBLY, PULLEY	
55	16-2924-02	HANDLE LATCH RH	
57	16-2950-01	COVER SWITCH - PROTECTIVE	
59	15-3021-01	COVER ASSEMBLY 4" RH	
60	15-3005-01	CENTERPLATE ASSEMBLY RH	
61	15-3015-01	UPPER SIDE PLATE ASSY RH	
62	15-2977-01	ASSY 4" RH PRINTHEAD	
63	15-3186-01	PH PRESS ASSY 4" RH	
64	15-2970-01	TENSION ASSY	
65	15-2974-01	PINCH ROLLER ASSEMBLY 4" RH	
66	15-2976-01	ASSY THREADED ROD 4"	
67	15-2975-01	LATCH ASSEMBLY 4"	
68	15-3019-01	PLATEN ROLLER ASSY 4" MAIN	
	15-3019-21	<i>Linerless Models only:</i> PLATEN ROLLER ASSY 4" MAIN	
69	15-3019-02	PLATEN ROLLER ASSY 4" PEEL	
	15-3019-22	<i>Linerless Models only:</i> PLATEN ROLLER ASSY 4" PEEL	

Printer Assemblies 1 - 6 (continued)

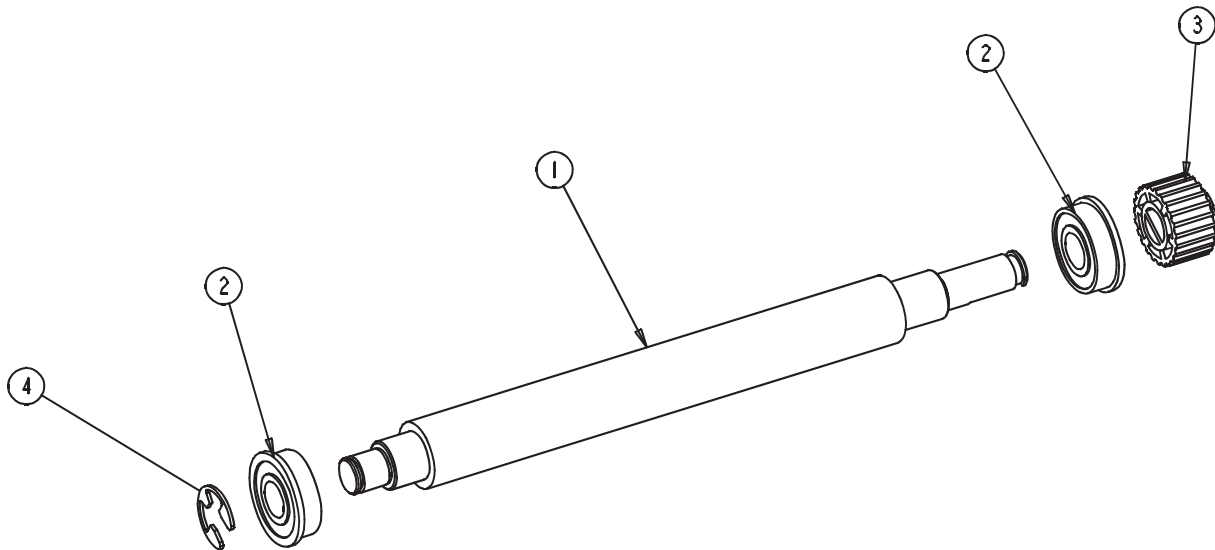
#	Part#	Description	Notes
70	15-3019-03	PLATEN ROLLER ASSY 4" TAKE-UP	
71	DPO24-2604-01	(2PK) MEDIA SENSOR ASSEMBLY	
72	24-2605-01	DISPLAY ASSEMBLY	
73	24-2569-01	CARD CAGE ASSEMBLY 4"	
75	24-2619-01	CABLE ASSY HEAD UP SENSOR	
80	DPO51-2404-10	(1/PK) CCA, Applicator	
82	24-2617-01	POWER SUPPLY ASSEMBLY	
101	17-2987-01	BELT TIMING 184 TEETH 3MM HTD	
103	17-3094-01	SPRING EXTENSION	
105	DPO17-2816-01	(10PK) BUSHING FLANGED.1895 ID .314OD 1/4L	
106	17-3064-01	SPRING COMP .24 ODX.032WD X .375LG	
107	17-3029-01	SPRING TORSION HEAD LIFT RH	
108	17-3011-01	BUSHING FLANGED FF-520-5	
110	44-2060-01	ASSY FERRITE	
111	--	TYWRAP 8"	
112	--	TIE TWIST LOCK	
113	--	TYWRAP 4"	
150	DPO899325	(50PK) SPACER	
151	DPO899294	(20PK) PLATE - BEARING	
152	DPO10-2518-01	(50PK) WASHER FLAT SS	
153	DPO10-3021-03	(25PK) RING RETAINING 5/32 CRES	
154	DPO10-3021-07	(25PK) E-RING 3/8 TRUARC CRES	
155	DPO10-3018-04	(25PK) WASHER FLAT #8 CRES	
156	DPO10-3093-01	(25PK) WASHER M3 EXT TOOTH LOCK CRES	
160	DPO10-3085-02	(25PK) SCREW SOC HD CAP W/ LW M4 X 8	
162	DPO10-3085-04	(25PK) SCREW SOC HD CAP W/ LW M4 X 12	
164	DPO10-3085-07	(25PK) SCREW SOC HD CAP W/ LW M4 X 25	
170	DPO10-3066-01	(25PK) SCREW FLAT HEAD SS M4 X 6	
171	DPO10-3066-04	(25PK) SCREW FLAT HEAD SS M4 X 12	
175	DPO10-3088-04	(25PK) SCREW FLATHEAD CRES M3 X 12	
176	DPO10-3088-05	(25PK) SCREW FLATHEAD CRES M3 X 14	
180	DPO10-3092-01	(25PK) SCREW PHP M3 X 6MM CRES	
181	17-3046-01	SPRING COMPRESSION	
182	DPO10-3096-03	(50PK) WASHER SPLIT LOCK M5 CRES	
183	DPO10-3097-01	(20PK) SCREW SOCKET HD SET M5 X 12 CRES	
184	13-2422-01	RETAINER PRINT HD CABLE 4"	
185	17-3065-01	SPRING COMP .36 ODX.035 WD X .75LG	
186	DPO10-2630-01	(50PK) WASH FLT NYLON .250 ID .500 OD	
187	DPO10-3085-14	(25PK) SCREW SHC W/ LK COMP M4 X 12	
188	--	GREASE SILCONE	
200	DPO51-2342-01	Main Board, A-4212, 4MB	
	DPO51-2342-11	Main Board, A-4212, 8MB	
	DPO51-2342-02	Main Board, A-4310, 4MB	
	DPO51-2342-12	Main Board, A-4310, 8MB	
	DPO51-2342-03	Main Board, A-4408, 4MB	
	DPO51-2342-13	Main Board, A-4408, 8MB	
	DPO51-2342-04	Main Board, A-4606, 4MB	
	DPO51-2342-14	Main Board, A-4606, 8MB	

Platen Roller Assembly, Main (15-3019-01)



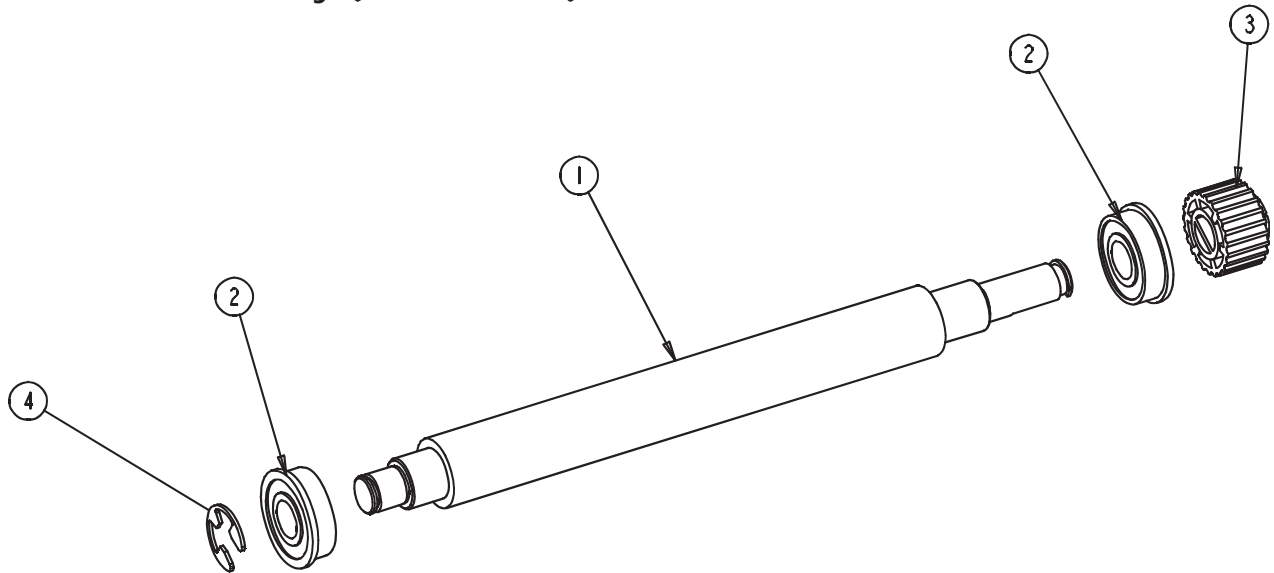
#	Part#	Description	Notes
1	13-2405-01	ROLLER PLATEN 4"	
2	17-3028-01	BEARING FLANGED 440C 3/8 X 7/8	
3	16-2903-01	PULLEY (WHITE) TIMING 23 TEETH	
4	DPO10-3021-07	(25PK) E-RING 3/8 TRUARC CRES	

Platen Roller Assembly, Linerless Models only (15-3019-21)



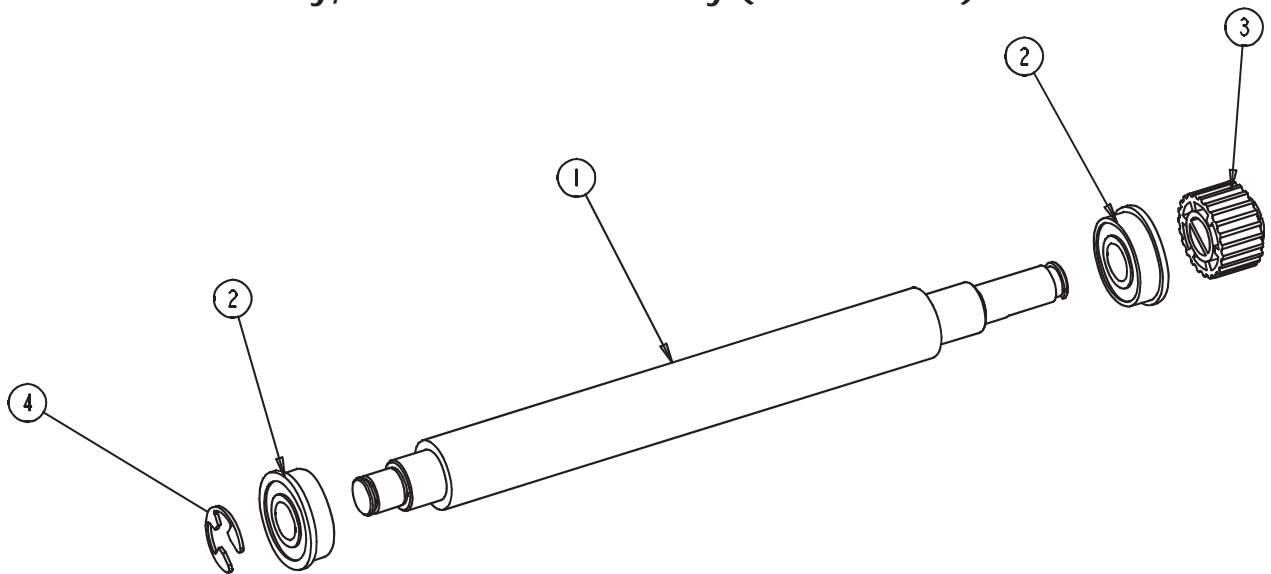
#	Part#	Description	Notes
1	13-2428-01	ROLLER PLATEN 4", LINERLESS	
2	17-3028-01	BEARING FLANGED 440C 3/8 X 7/8	
3	16-2903-01	PULLEY (WHITE) TIMING 23 TEETH	
4	DPO10-3021-07	(25PK) E-RING 3/8 TRUARC CRES	

Peel Roller Assembly (15-3019-02)



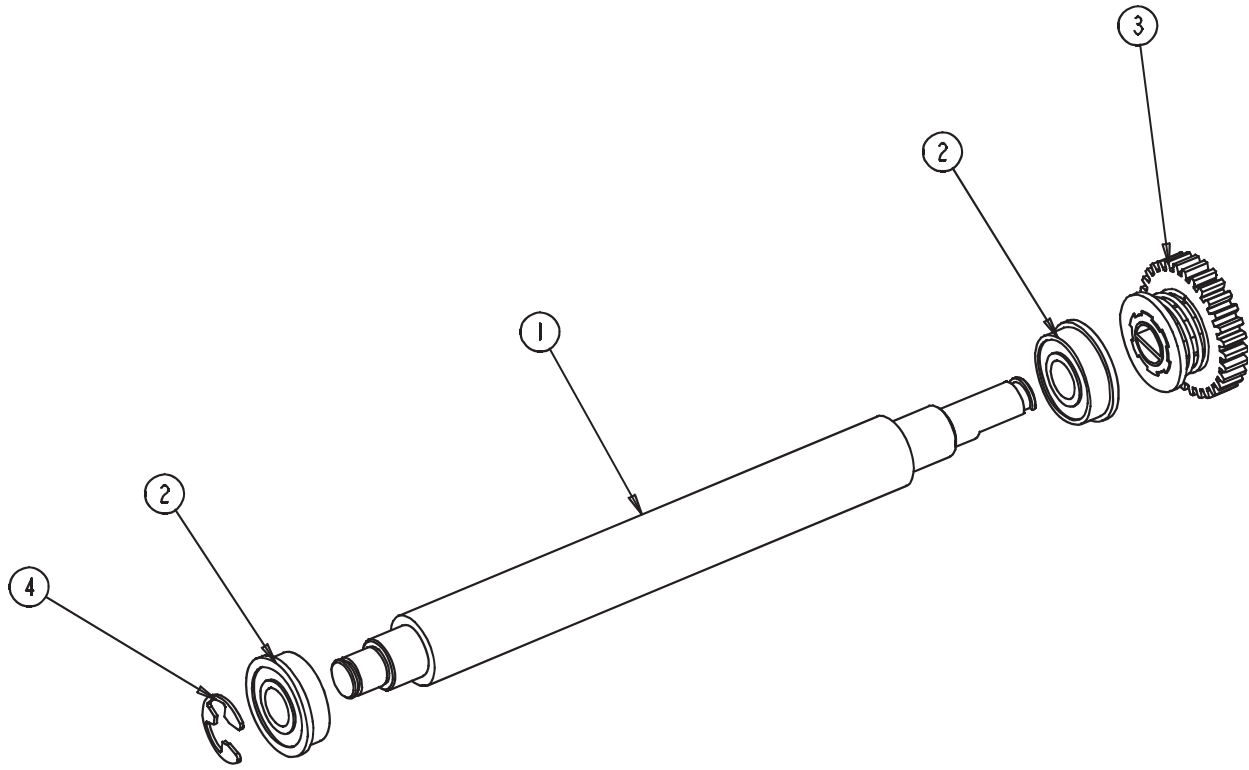
#	Part#	Description	Notes
1	13-2405-01	ROLLER PLATEN 4"	
2	17-3028-01	BEARING FLANGED 440C 3/8 X 7/8	
3	16-2904-01	PULLEY (BLACK) TIMING 22 TEETH	
4	DPO10-3021-07	(25PK) E-RING 3/8 TRUARC CRES	

Peel Roller Assembly, Linerless Models only (15-3019-22)



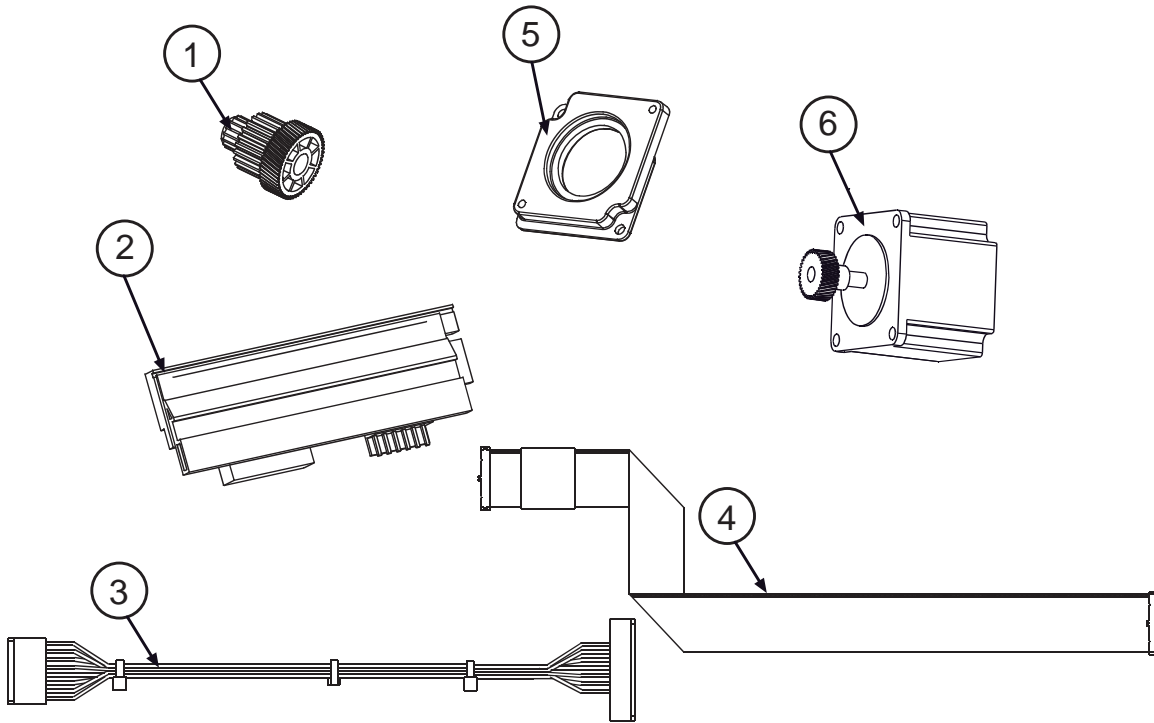
#	Part#	Description	Notes
1	13-2428-01	ROLLER PLATEN 4", LINERLESS	
2	17-3028-01	BEARING FLANGED 440C 3/8 X 7/8	
3	16-2904-01	PULLEY (BLACK) TIMING 22 TEETH	
4	DPO10-3021-07	(25PK) E-RING 3/8 TRUARC CRES	

Take-up Roller Assembly (15-3019-03)



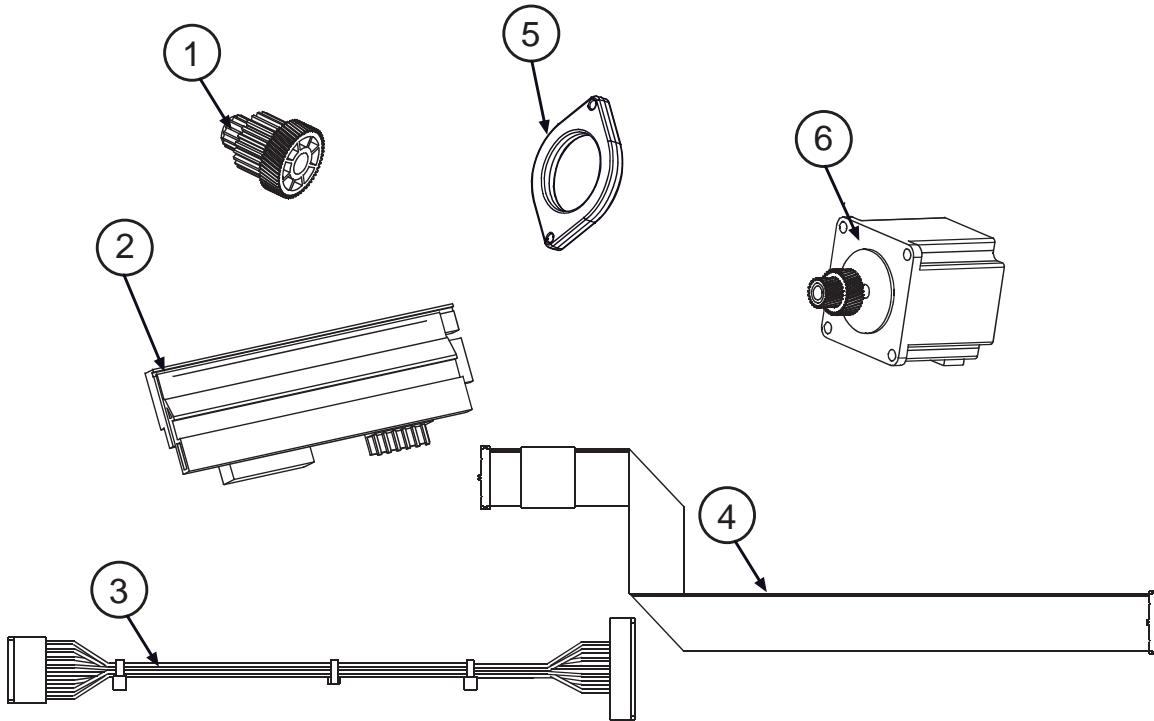
#	Part#	Description	Notes
1	13-2405-01	ROLLER PLATEN 4"	
2	17-3028-01	BEARING FLANGED 440C 3/8 X 7/8	
3	15-3020-01	CLUTCH RIBBON TAKE-UP	
4	DPO10-3021-07	(25PK) E-RING 3/8 TRUARC CRES	

Printhead / Pulley Kit, 203DPI



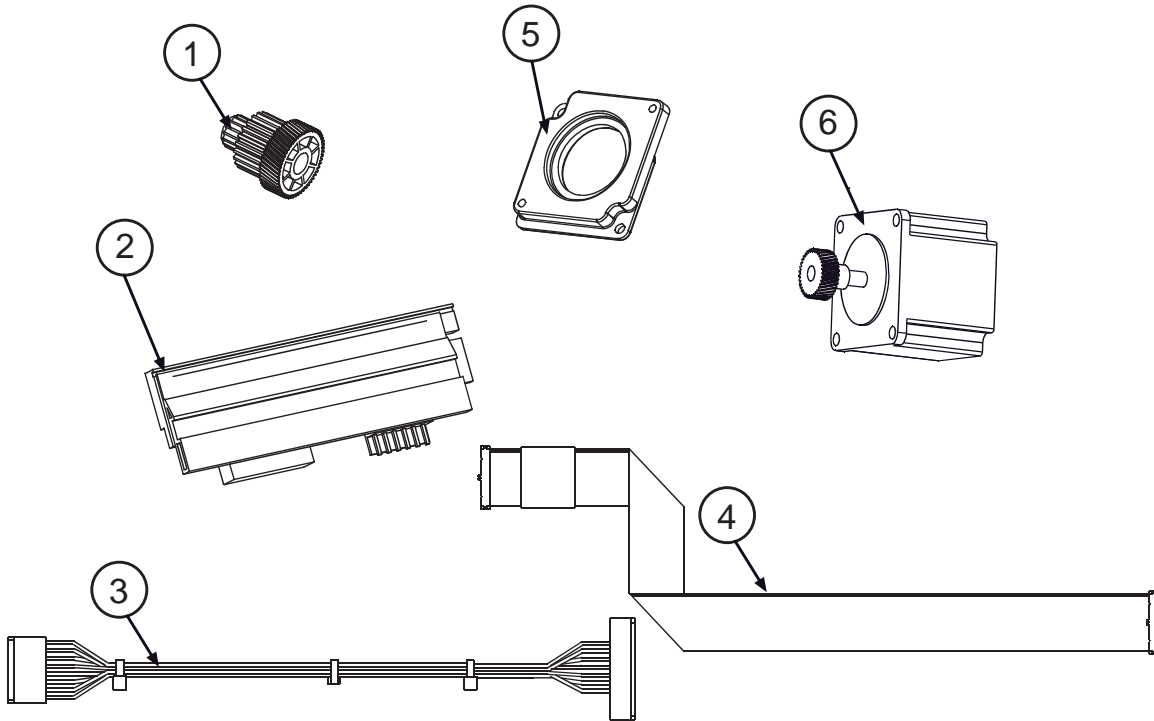
#	Part#	Description	Notes
1	15-3117-01	PULLEY COMPOUND 203DPI	
2	PHD20-2181-01	PRINTHEAD 203DPI, 4"	
3	32-2532-01	CABLE ASSY 4" PRINTHEAD PWR	
4	32-2533-01	CABLE ASSY PRINTHEAD DATA 4"	
5	12-3384-01	SPACER MOTOR MOUNTING RH	
6	24-2543-03	STEPPER MOTOR ASSEMBLY	

Printhead / Pulley Kit, 300DPI



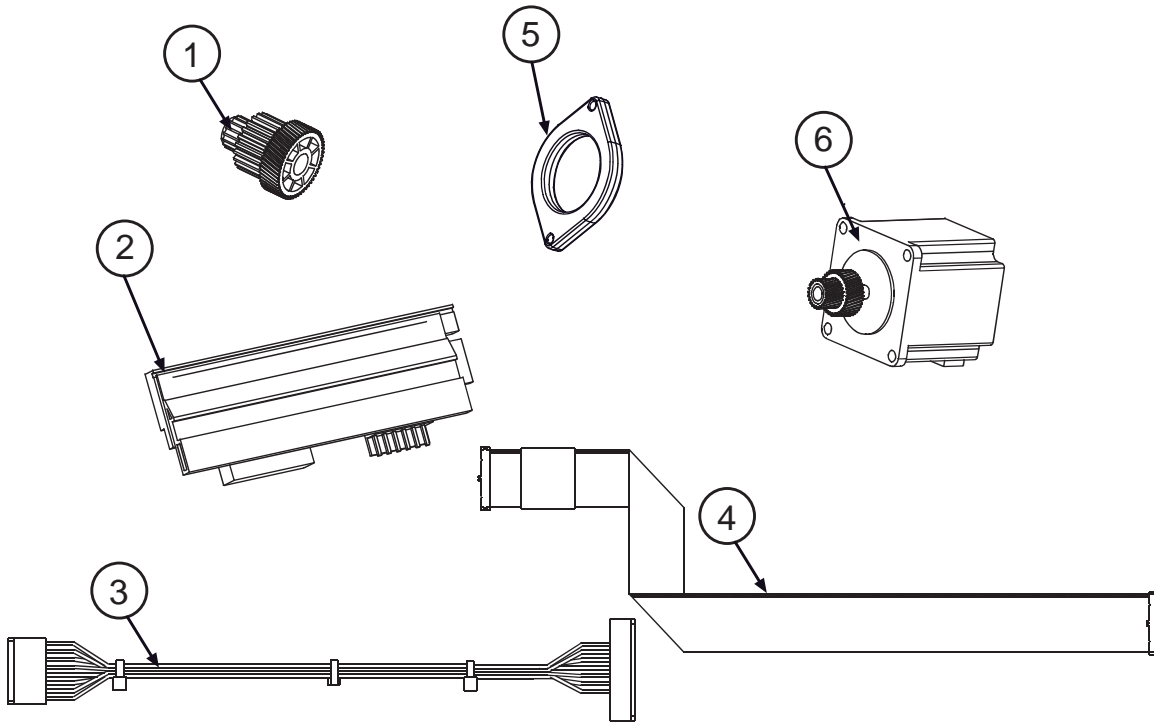
#	Part#	Description	Notes
1	15-3118-01	GEAR COMPOUND 300DPI	
2	PHD20-2182-01	PRINTHEAD 300 DPI, 4"	
3	32-2532-01	CABLE ASSY 4" PRINTHEAD PWR	
4	32-2533-01	CABLE ASSY PRINTHEAD DATA 4"	
5	12-3370-01	SPACER MOTOR MOUNTING	
6	24-2543-02	STEPPER MOTOR ASSEMBLY	

Printhead / Pulley Kit, 406DPI



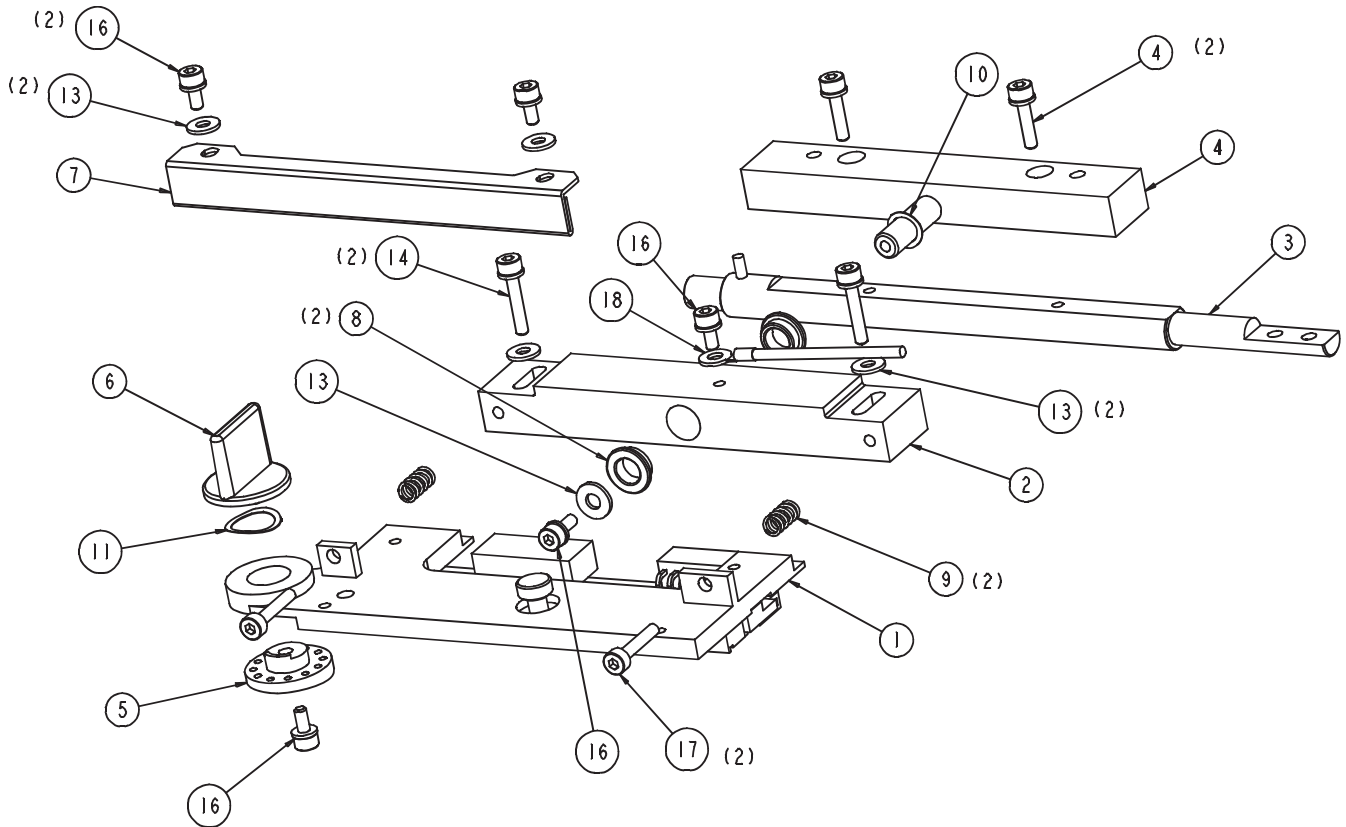
#	Part#	Description	Notes
1	15-3117-01	PULLEY COMPOUND 203DPI	
2	PHD20-2208-01	PRINTHEAD 406 DPI 4"	
3	32-2532-01	CABLE ASSY 4" PRINTHEAD PWR	
4	32-2533-01	CABLE ASSY PRINTHEAD DATA 4"	
5	12-3384-01	SPACER MOTOR MOUNTING RH	
6	24-2543-03	STEPPER MOTOR ASSEMBLY	

Printhead / Pulley Kit, 600DPI



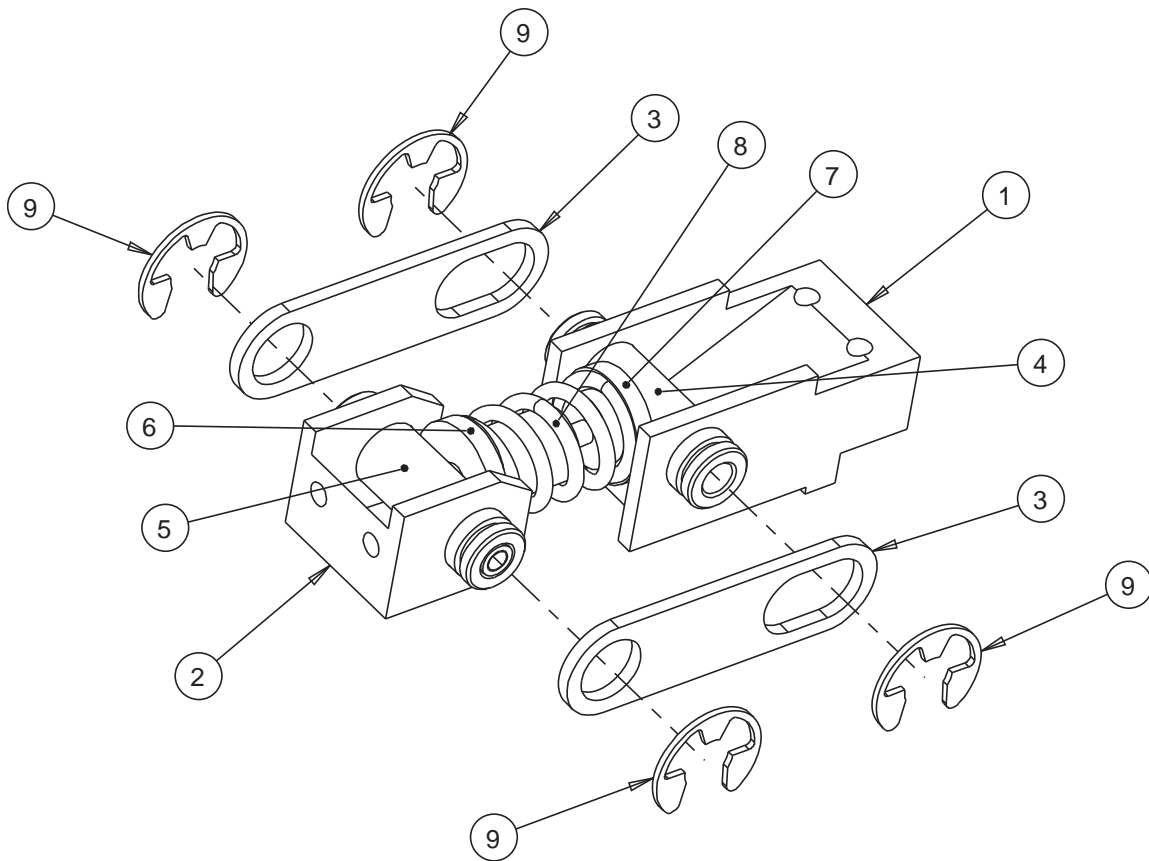
#	Part#	Description	Notes
1	15-3118-01	GEAR COMPOUND 300DPI	
2	PHD20-2209-01	PRINTHEAD 600 DPI 6"	
3	32-2532-01	CABLE ASSY 4" PRINTHEAD PWR	
4	32-2533-01	CABLE ASSY PRINTHEAD DATA 4"	
5	12-3370-01	SPACER MOTOR MOUNTING	
6	24-2543-02	STEPPER MOTOR ASSEMBLY	

Printhead Assembly (15-2977-01)



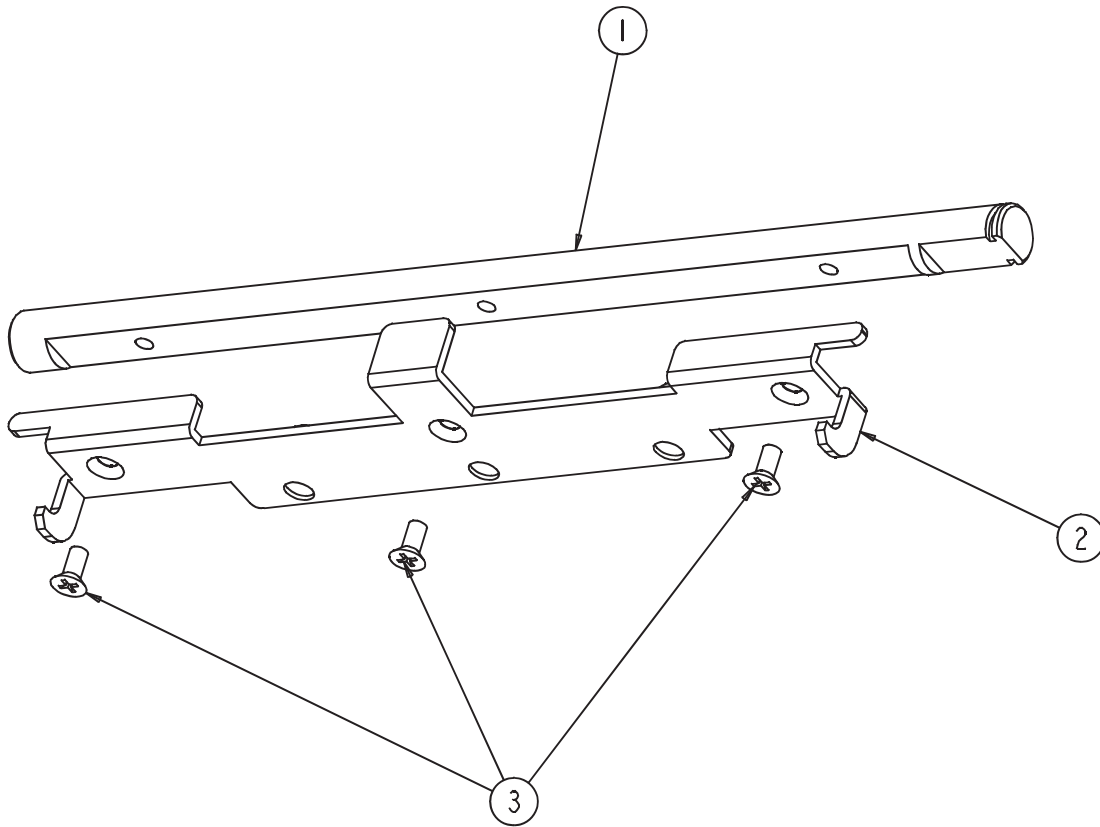
#	Part#	Description	Notes
1	15-3102-01	ASSY, 4" RH PRINthead MOUNT	
2	12-3267-01	PIVOT 4" PRINthead	
3	12-3233-01	SHAFT PRINthead MOUNT	
4	12-3266-01	PLATE PRINthead ADAPTER	
5	DPO16-2906-01	(2PK) CAM NARROW MEDIA	
6	16-2907-01	KNOB NARROW MEDIA	
7	11-5552-01	SHIELD RIBBON 4"	
8	DPO899349	(10PK) BEARING - FLANGED .312	
9	17-3061-01	SPRING COMP .300ODX.045WD X.44LG	
10	DPO10-3084-01	(10PK) WASHER WAVE .312 ID CRES	
11	DPO10-3084-02	(10PK) WASHER WAVE .505 ID CRES	
13	DPO10-3018-04	(25PK) WASHER FLAT #8 CRES	
14	DPO10-3085-06	(25PK) SCREW SOC HD CAP W/ LW M4 X 20	
16	DPO10-3085-02	(25PK) SCREW SOC HD CAP W/ LW M4 X 8	
17	DPO10-3015-43	(10PK) SCREW SHC M4X20 CRES W/LKG COMP	
18	32-2528-01	GROUND STRAP	

Printhead Pressure Assembly (15-3186-01)



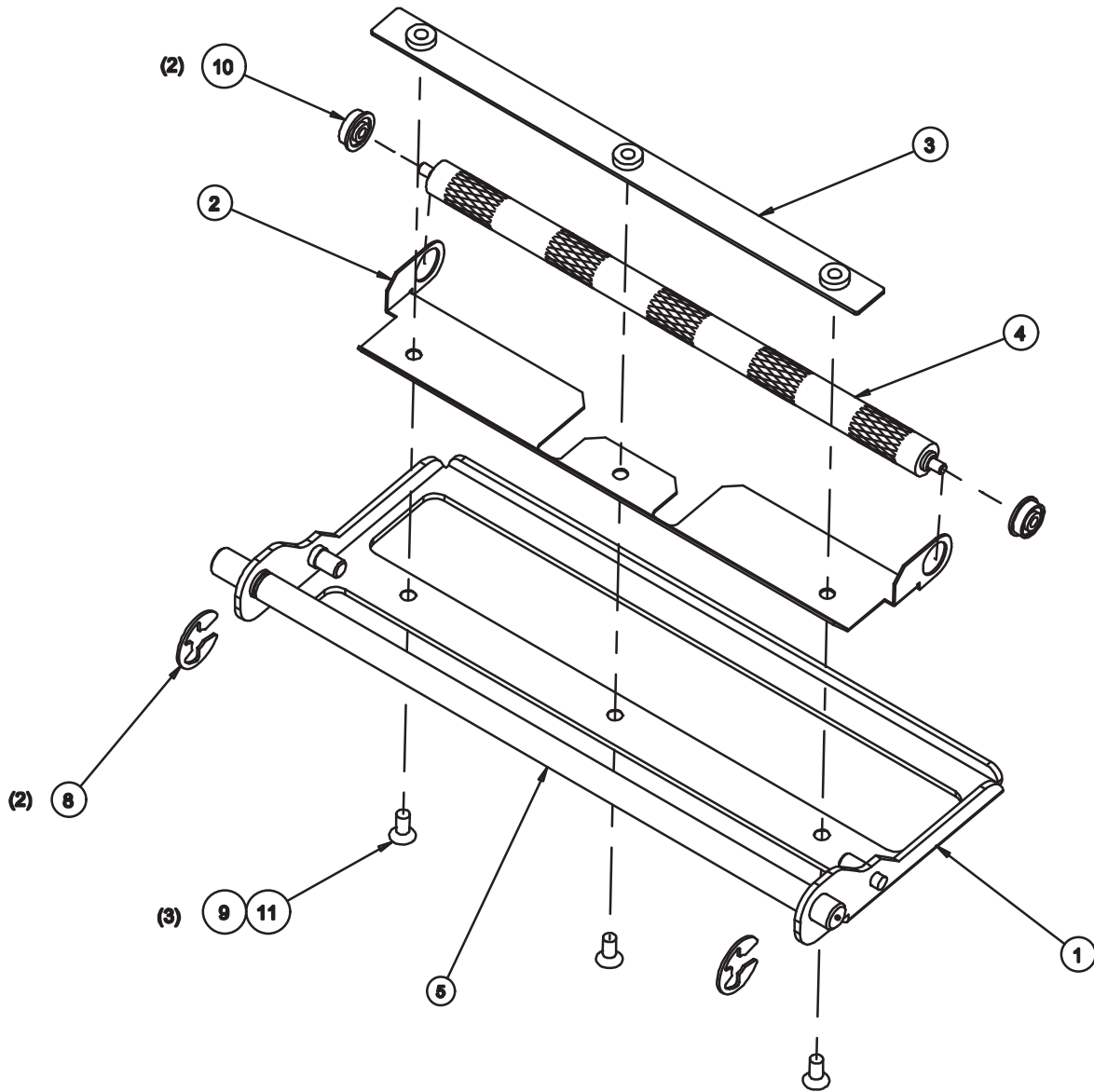
#	Part#	Description	Notes
1	12-3229-01	BRACKET, PRESSURE, LOWER	
2	12-3485-01	BRACKET, PRESSURE UPPER	
3	11-5537-01	RETAINER, PRINthead PRESSURE	
4	12-3486-01	SHAFT, PRINthead PRESSURE	
5	15-3187-01	ASSY, PIVOT PIN	
6	12-3353-01	SLIDE UPPER	
7	12-3354-01	SLIDE, LOWER	
8	17-3160-01	SPRING, COMPRESSION	
9	DPO10-3021-07	(25PK) E-RING 3/8 TRUARC CRES	

Latch Assembly 4" (15-2975-01)



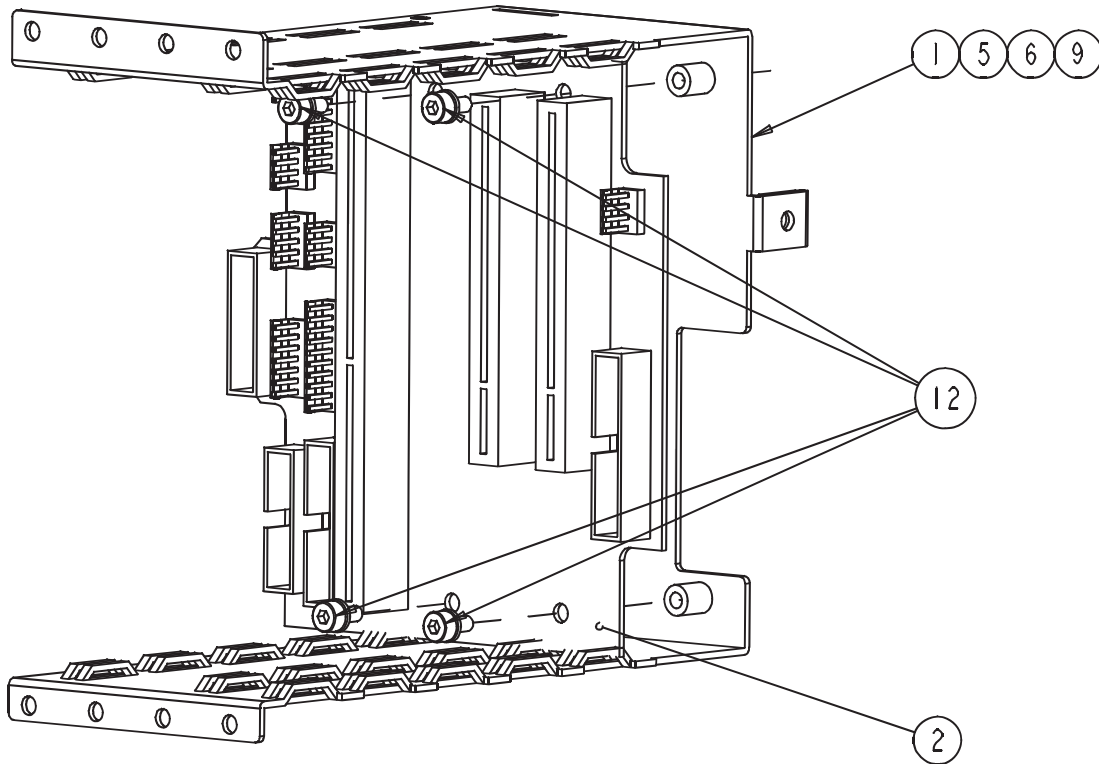
#	Part#	Description	Notes
1	11-5578-01	LATCH 4"	
2	12-3280-01	SHAFT LATCH PIVOT	
3	DPO10-3088-01	(25PK) SCREW FLATHEAD CRES M3 X 6	

Peel Assembly (15-2974-01)



#	Part#	Description	Notes
1	15-3183-01	ASSY 4" PINCH ROLLER FRAME	
2	11-5256-01	SPRING FLAT	
3	11-5599-01	SCREW PLATE 4"	
4	12-3295-01	ROLLER PINCH 4"	
5	12-2574-01	HINGE SHAFT 4"	
8	DPO10-3021-05	(20PK) E-RING 1/4 TRUARC CRES	
9	DPO10-3088-07	(25PK) SCREW FLATHEAD CRES M3 X 5	
10	17-2856-01	BEARING BALL FL .0937 X .3125	
11	--	LOCTITE 242	

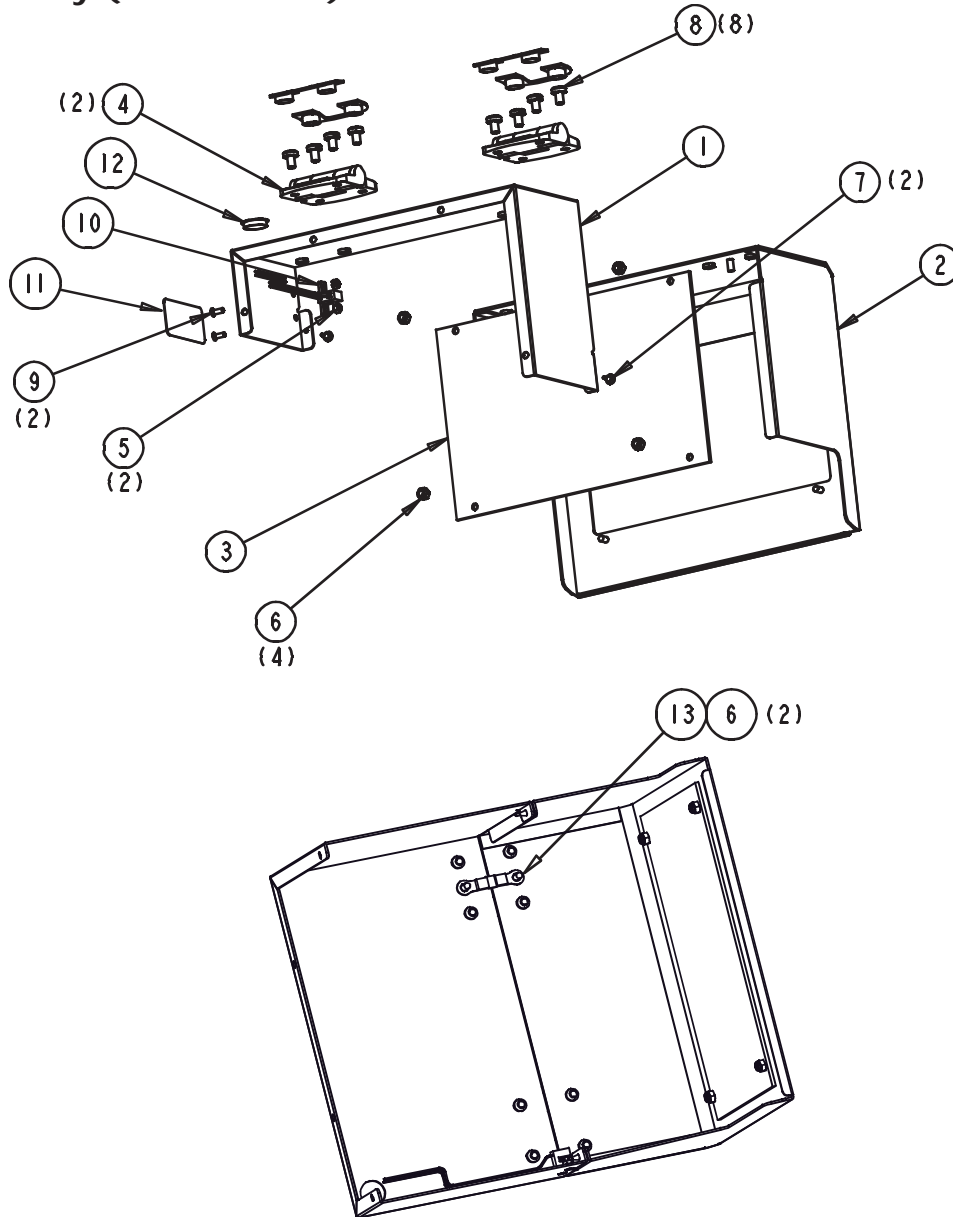
Card Cage Assembly (24-2569-01)



#	Part#	Description	Notes
1	11-5253-02	CARD CAGE	
2	51-2353-00	CCA BACKPLANE A-CLASS	
5	32-2530-01	CABLE ASSY BACK PLANE PWR (not shown)	
6	32-2531-01	CABLE ASSY MOTOR CONTROL (not shown)	
9	32-2540-01	CABLE ASSEMBLY GRAPHICS DISPLAY (not shown)	
12	DPO10-3085-04	(25PK) SCREW SOC HD CAP W/ LW M4 X 12	

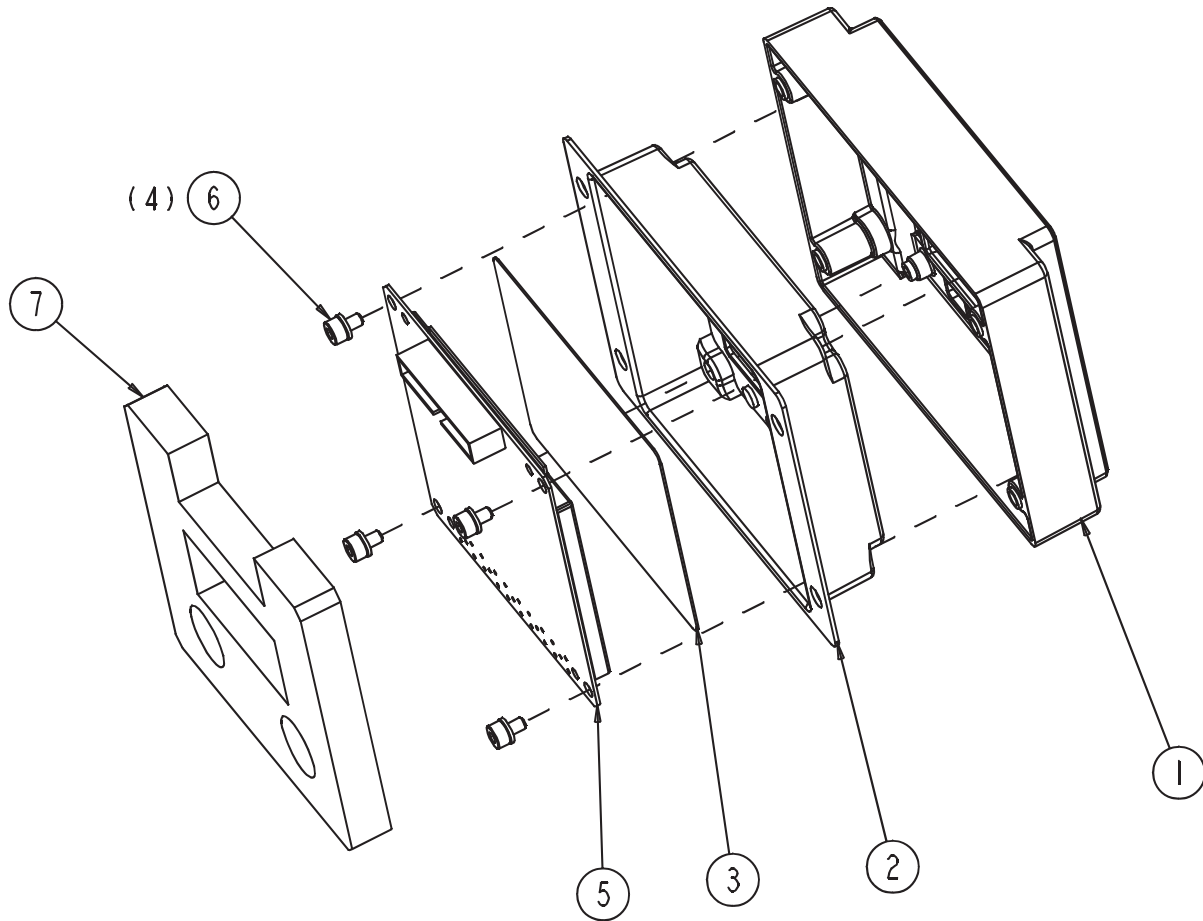
A-Class Right Hand 6" Model Printer Assemblies

Cover Assembly (15-3021-02)



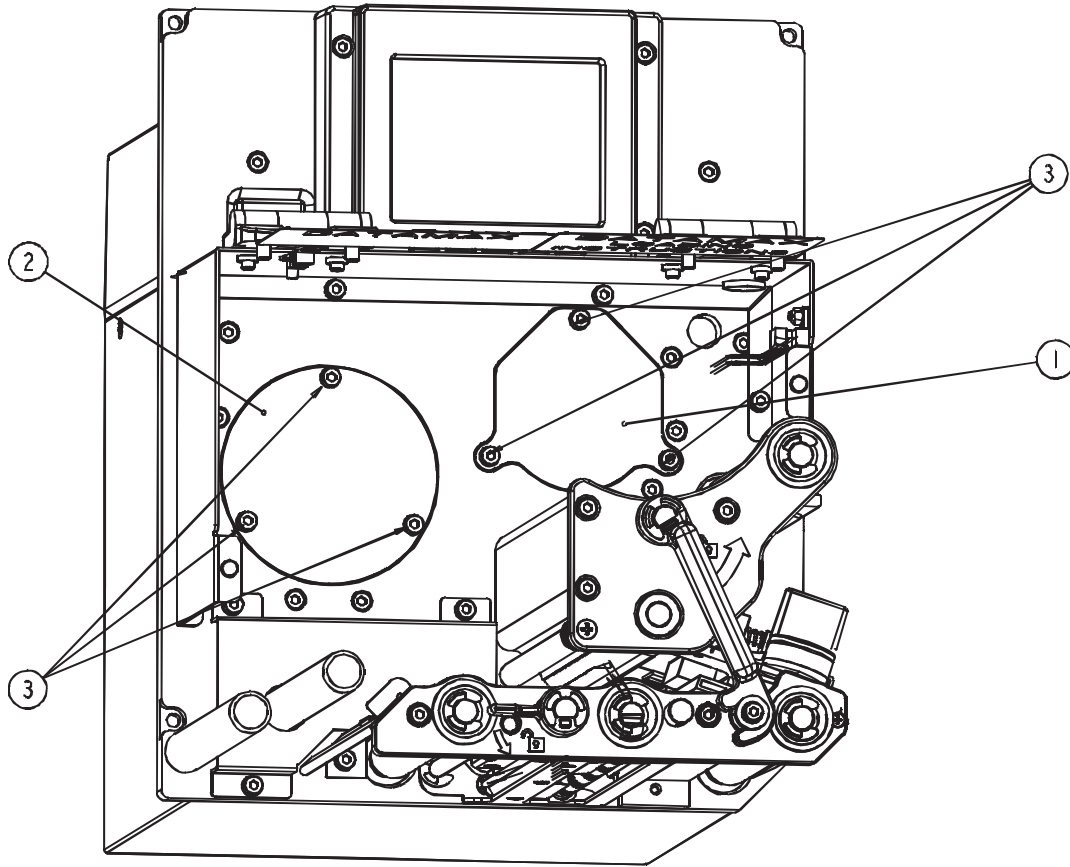
#	Part#	Description	Notes
1	11-5533-02	COVER INNER 6" RH	
2	11-5534-01	COVER OUTER RH	
3	16-2887-01	WINDOW	
4	17-3036-01	HINGE	
5	DPO10-3086-01	(25PK) NUT HEX SELF-LOCKING M3 CRES	
6	DPO10-3091-01	(50PK) NUT HEX SELF-LOCKING M4 CRES	
7	13-2392-01	BUMPER PULL THRU	
8	DPO10-3090-01	(50PK) SCREW PANHEAD M5 X 8 CRES	
9	DPO10-3088-02	(25PK) SCREW FLATHEAD CRES M3 X 8	
10	24-2618-01	CABLE ASSY COVER OPEN	
11	14-2835-01	LABEL WARNING	
12	17-3067-01	PLUG 5/8 HOLE	
13	32-2553-01	GROUND CABLE A-CLASS COVER	

Display Assembly (24-2605-01)



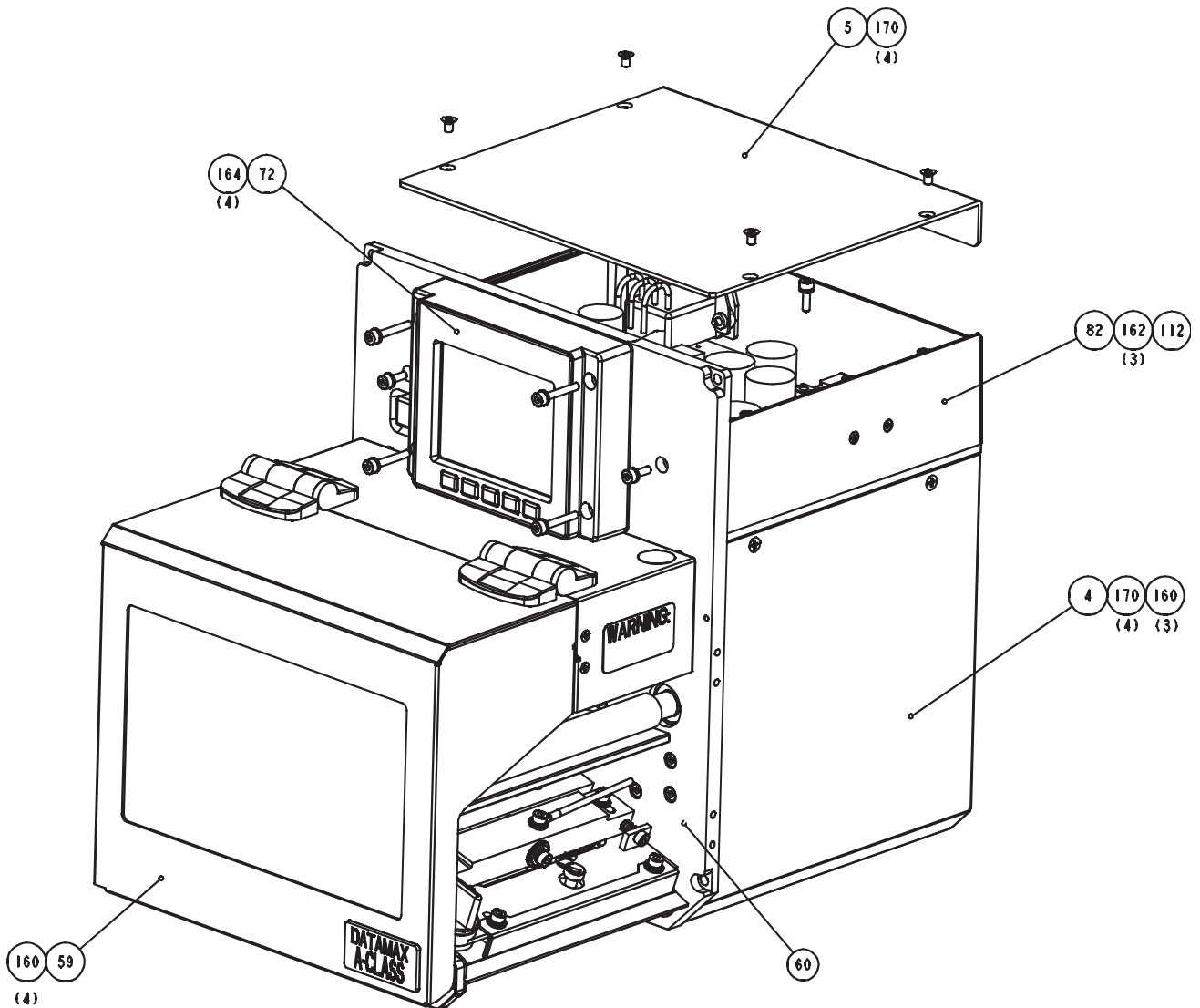
#	Part#	Description	Notes
1	12-3270-01	BEZEL DISPLAY	
2	16-2916-01	KEYPAD 5 BUTTON	
3	16-2961-01	COVER LCD	
5	45-2021-01	DISPLAY GRAPHICS 320X240	
6	DPO10-3085-02	(25PK) SCREW SOC HD CAP W/ LW M4 X 8	
7	13-2425-01	FILLER CONTROL PANEL BOOT	

Direct Thermal (78-2474-01)

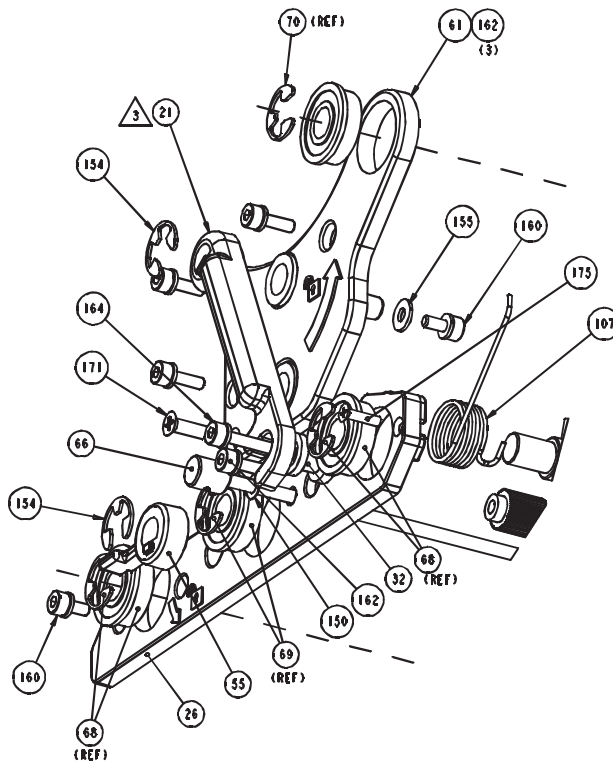
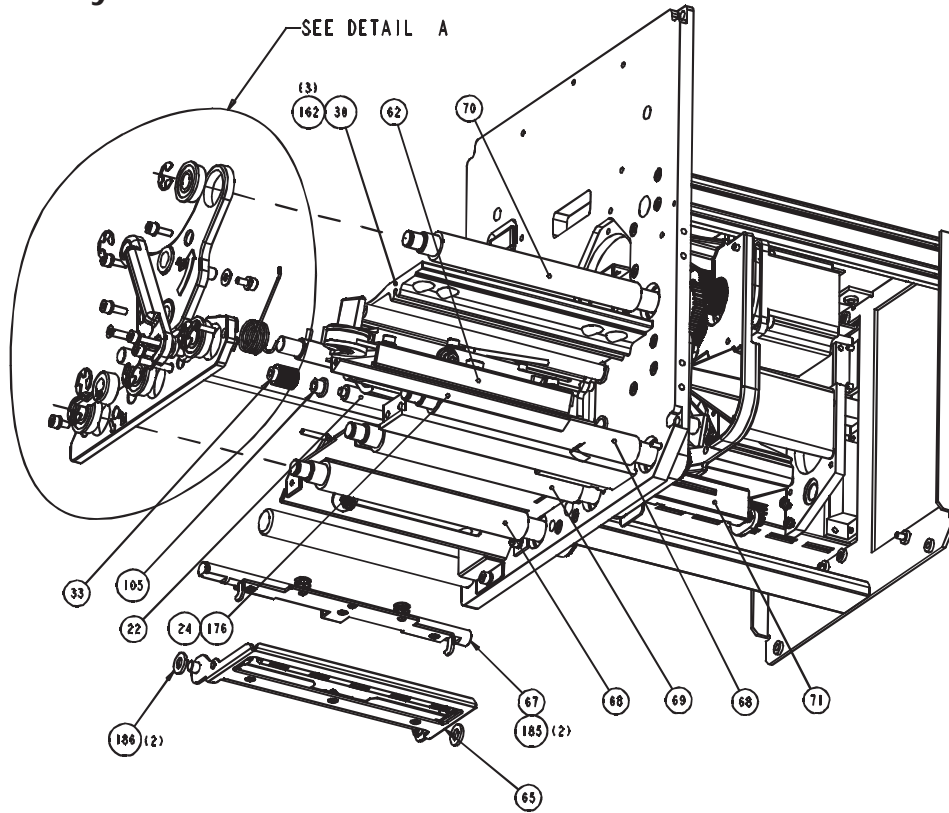


#	Part#	Description	Notes
1	11-5584-01	COVER RIBBON TAKE-UP	
2	11-5585-01	COVER RIBBON SUPPLY	
3	DPO10-3085-02	(25PK) SCREW SOC HD CAP W/ LW M4 X 8	

Printer Assembly 1 of 6

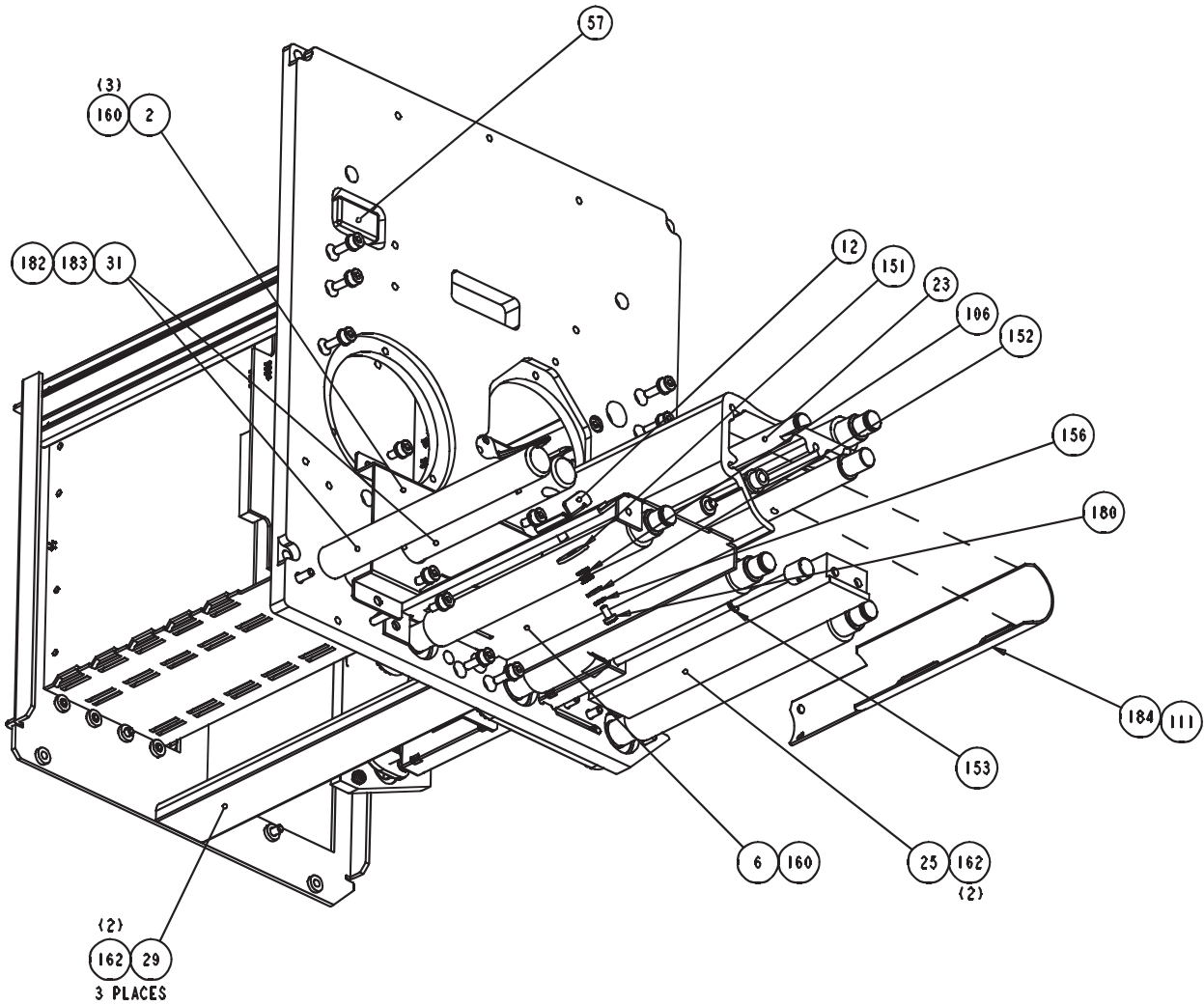


Printer Assembly 2 of 6

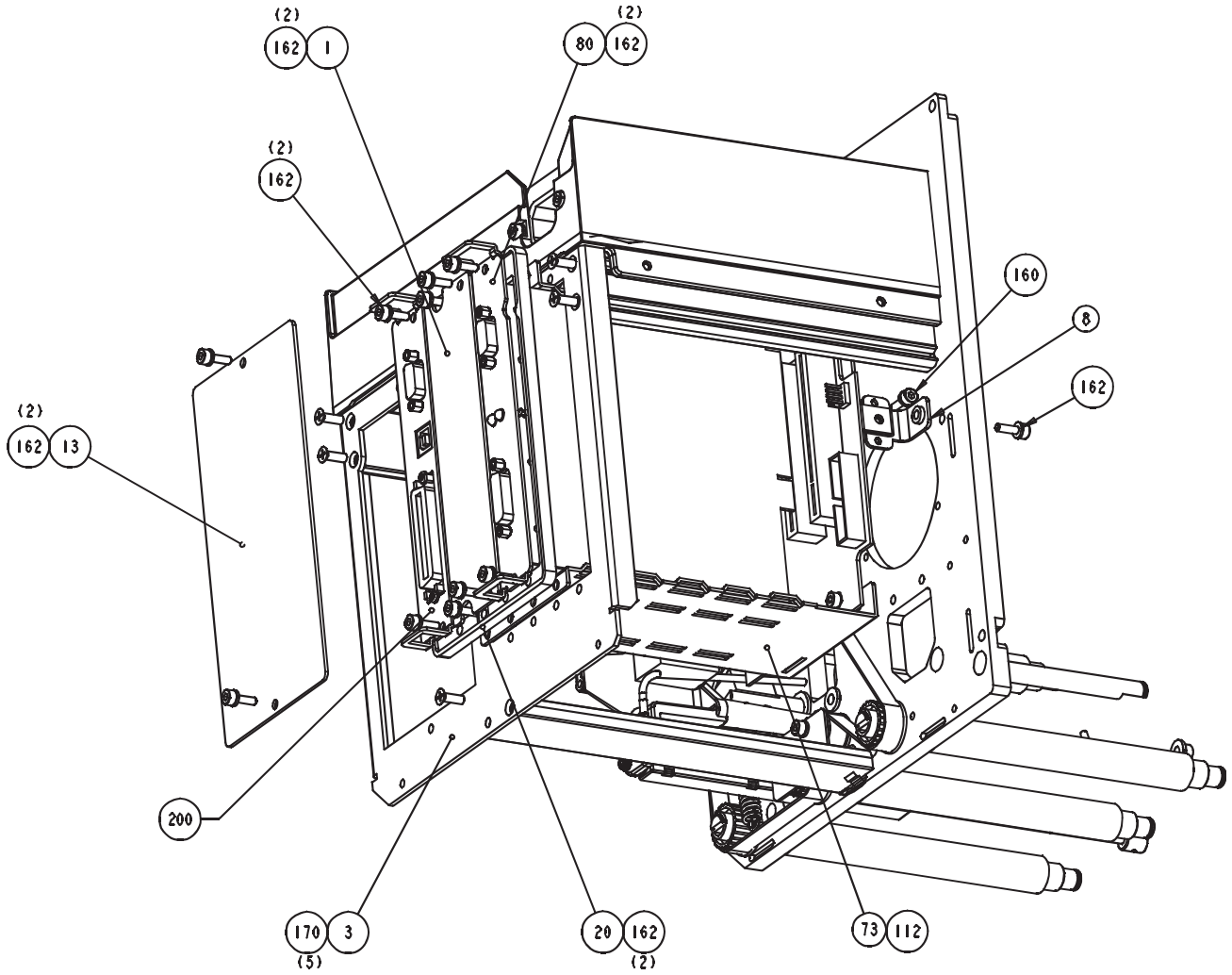


DETAIL A

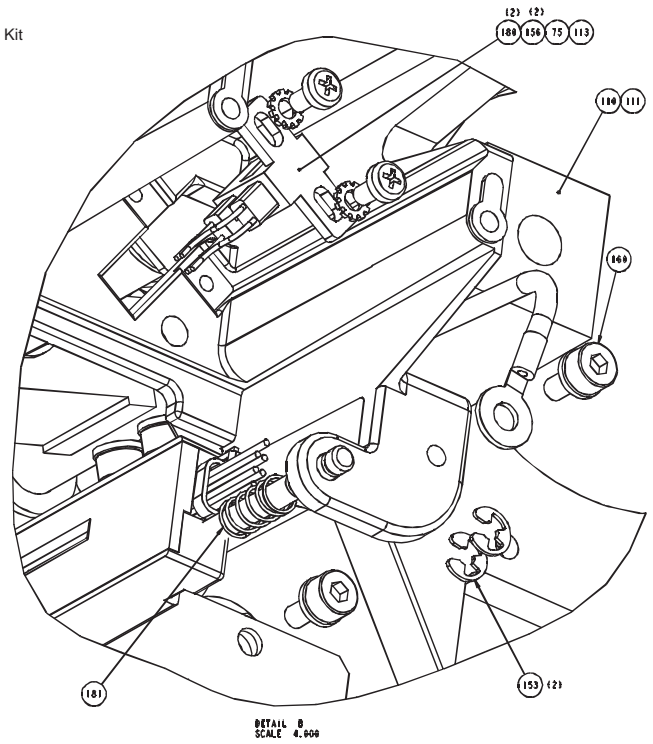
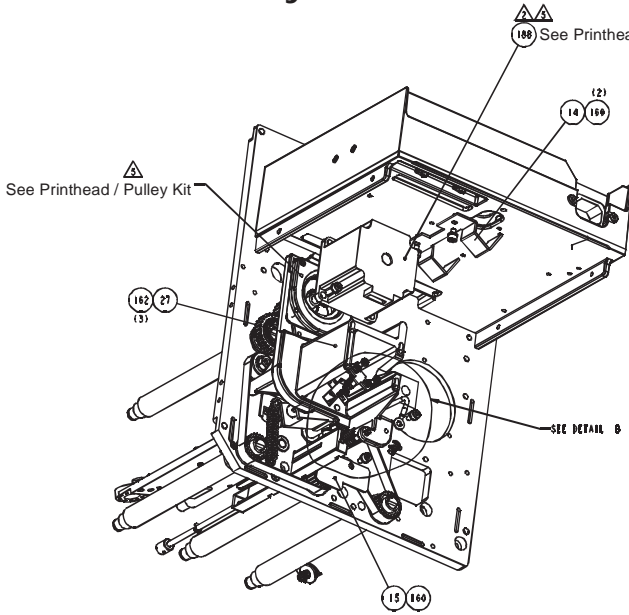
Printer Assembly 3 of 6



Printer Assembly 4 of 6

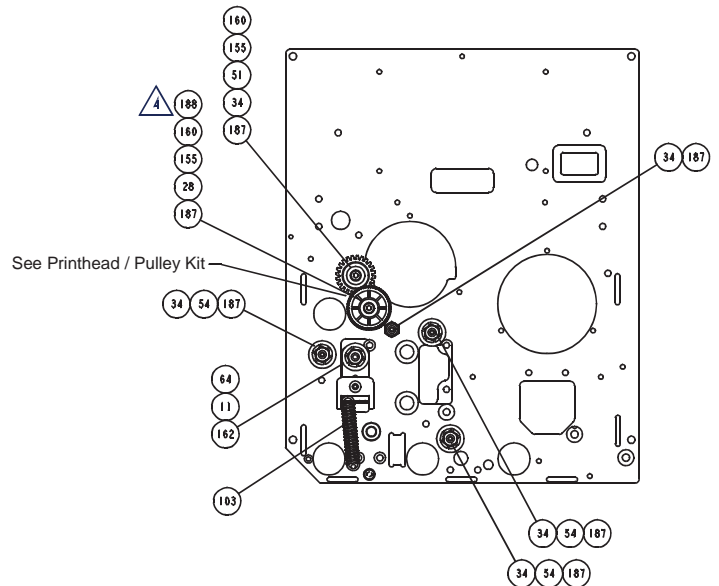
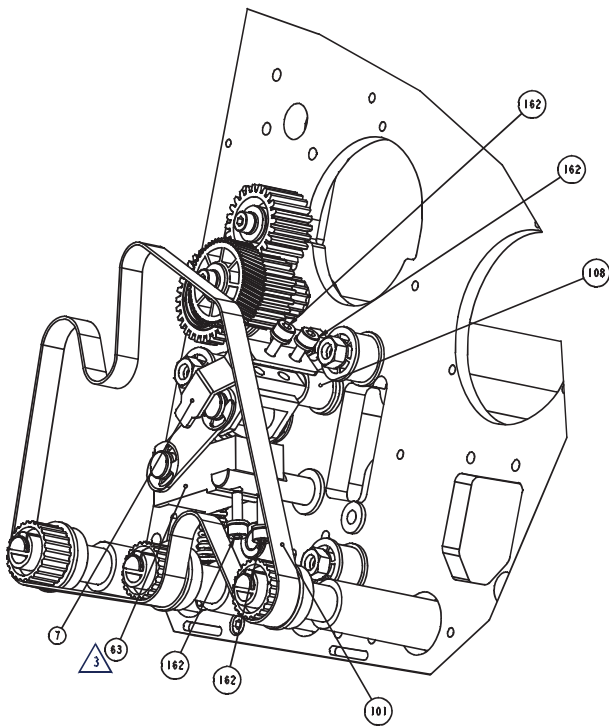


Printer Assembly 5 of 6



- 2 Apply Item 188 to the motor gear.
- 5 Position Motor Spacer and Motor so helical gears are tightly meshed.

Printer Assembly 6 of 6



- 3 Handle must rotate freely. Loosen screws that mount Item 63, raise and lower handle, then tighten screws.
- 4 Add Item 188 to Item 28 prior to installing compound gear.

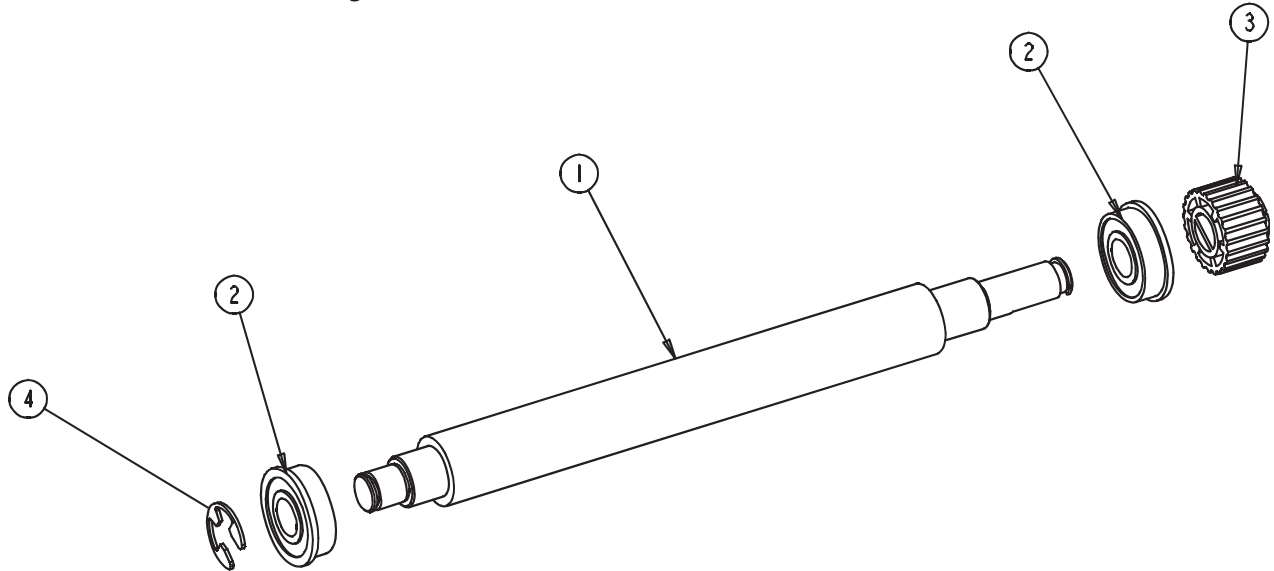
Printer Assemblies 1 - 6

#	Part#	Description	Notes
1	11-5279-01	PLATE COVER EXPANSION	
2	11-5528-01	PLATE GUIDE MEDIA RH	
3	11-5529-03	PLATE REAR RH	
4	11-5530-01	COVER REAR	
5	11-5531-01	COVER TOP	
6	11-5532-02	PLATE LOWER 6" RH	
7	11-5556-01	FLAG PH OPEN	
8	11-5577-01	SUPPORT CARD CAGE	
11	11-5570-01	PLATE NUT	
12	11-5536-01	GUIDE MEDIA ADJUSTABLE RH	
13	11-5427-01	PLATE COVER	
14	11-5602-01	BRACKET RETAINER CABLE	
15	11-5603-01	COVER CABLE	
20	12-2958-01	PLATE MOUNTING REAR	
21	12-3255-01	HANDLE LATCH RH	
22	12-3052-03	SHAFT RIBBON IDLER 6"	
23	12-3217-02	SHAFT LATCH PRINTHEAD 6"	
24	12-3488-02	BAR PEEL 6"	
25	12-3244-02	BLOCK SUPPORT PLATEN 6"	
26	12-3214-01	PLATE SIDE LOWER RH 6"	
27	12-3286-01	BRACKET SUPPORT MOTOR RH	
28	12-3432-01	POST IDLER	
29	12-3221-01	BLOCK SUPPORT REAR	
30	12-3215-02	SUPPORT CENTER 6"	
31	12-3254-02	POST MEDIA 6"	
32	12-3282-01	POST LATCH	
33	12-3051-01	CAM IDLER RIBBON	
34	12-3219-01	POST ILDER	
51	16-2935-01	GEAR IDLER	
54	15-3119-01	ASSEMBLY, PULLEY	
55	16-2924-02	HANDLE LATCH RH	
57	16-2950-01	COVER SWITCH - PROTECTIVE	
59	15-3021-02	COVER ASSEMBLY 6" RH	
60	15-3005-01	CENTERPLATE ASSEMBLY RH	
61	15-3015-01	UPPER SIDE PLATE ASSY RH	
62	15-2977-02	ASSY 6" RH PRINTHEAD	
63	15-3186-02	PH PRESS ASSY 6" RH	
64	15-2970-01	TENSION ASSY	
65	15-2974-02	PINCH ROLLER ASSEMBLY 6" RH	
66	15-2976-02	ASSY THREADED ROD 6"	
67	15-2975-02	LATCH ASSEMBLY 6"	
68	15-3019-11	PLATEN ROLLER ASSY 6" MAIN	
69	15-3019-12	PLATEN ROLLER ASSY 6" PEEL	
70	15-3019-13	PLATEN ROLLER ASSY 6" TAKE-UP	

Printer Assemblies 1 - 6 (continued)

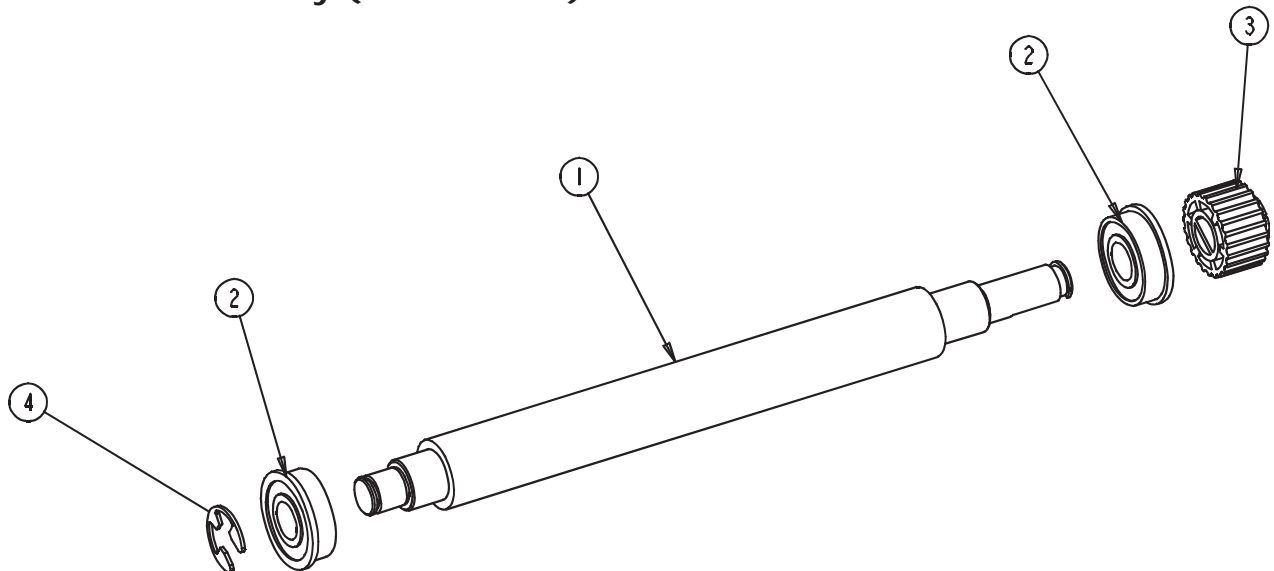
#	Part#	Description	Notes
71	DPO24-2604-01	(2PK) MEDIA SENSOR ASSEMBLY	
72	24-2605-01	DISPLAY ASSEMBLY	
73	24-2569-01	CARD CAGE ASSEMBLY A-CLASS 4"	
75	24-2619-01	CABLE ASSY HEAD UP SENSOR	
80	DPO51-2404-10	(1/PK) CCA, Applicator	
82	24-2617-01	POWER SUPPLY ASSEMBLY	
101	17-2987-01	BELT TIMING 184 TEETH 3MM HTD	
103	17-3094-01	SPRING EXTENSION	
105	DPO17-2816-01	(10PK) BUSHING FLANGED.1895 ID .314OD 1/4L	
106	17-3064-01	SPRING COMP .24 ODX.032WD X .375LG	
107	17-3078-01	SPRING TORSION RH 6"	
108	17-3011-01	BUSHING FLANGED FF-520-5	
110	44-2060-01	ASSY FERRITE	
111	--	TYWRAP 8"	
112	--	TIE TWIST LOCK	
113	--	TYWRAP 4"	
150	DPO899325	(50PK) SPACER	
151	DPO899294	(20PK) PLATE - BEARING	
152	DPO10-2518-01	(50PK) WASHER FLAT SS	
153	DPO10-3021-03	(25PK) RING RETAINING 5/32 CRES	
154	DPO10-3021-07	(25PK) E-RING 3/8 TRUARC CRES	
155	DPO10-3018-04	(25PK) WASHER FLAT #8 CRES	
156	DPO10-3093-01	(25PK) WASHER M3 EXT TOOTH LOCK CRES	
160	DPO10-3085-02	(25PK) SCREW SOC HD CAP W/ LW M4 X 8	
162	DPO10-3085-04	(25PK) SCREW SOC HD CAP W/ LW M4 X 12	
164	DPO10-3085-07	(25PK) SCREW SOC HD CAP W/ LW M4 X 25	
170	DPO10-3066-01	(25PK) SCREW FLAT HEAD SS M4 X 6	
171	DPO10-3066-04	(25PK) SCREW FLAT HEAD SS M4 X 12	
175	DPO10-3088-04	(25PK) SCREW FLATHEAD CRES M3 X 12	
176	DPO10-3088-05	(25PK) SCREW FLATHEAD CRES M3 X 14	
180	DPO10-3092-01	(25PK) SCREW PHP M3 X 6MM CRES	
181	17-3046-01	SPRING COMPRESSION	
182	DPO10-3096-03	(50PK) WASHER SPLIT LOCK M5 CRES	
183	DPO10-3097-01	(20PK) SCREW SOCKET HD SET M5 X 12 CRES	
184	13-2422-02	RETAINER PRINT HD CABLE 6"	
185	17-3065-01	SPRING COMP .36 ODX.035 WD X .75LG	
187	DPO10-3085-14	(25PK) SCREW SHC W/ LK COMP M4 X 12	
188	--	GREASE SILCONE	
200	DPO51-2342-05	Main Board, A-6212, 4MB	
	DPO51-2342-15	Main Board, A-6212, 8MB	
	DPO51-2342-06	Main Board, A-6310, 4MB	
	DPO51-2342-16	Main Board, A-6310, 8MB	

Platen Roller Assembly (15-3019-11)



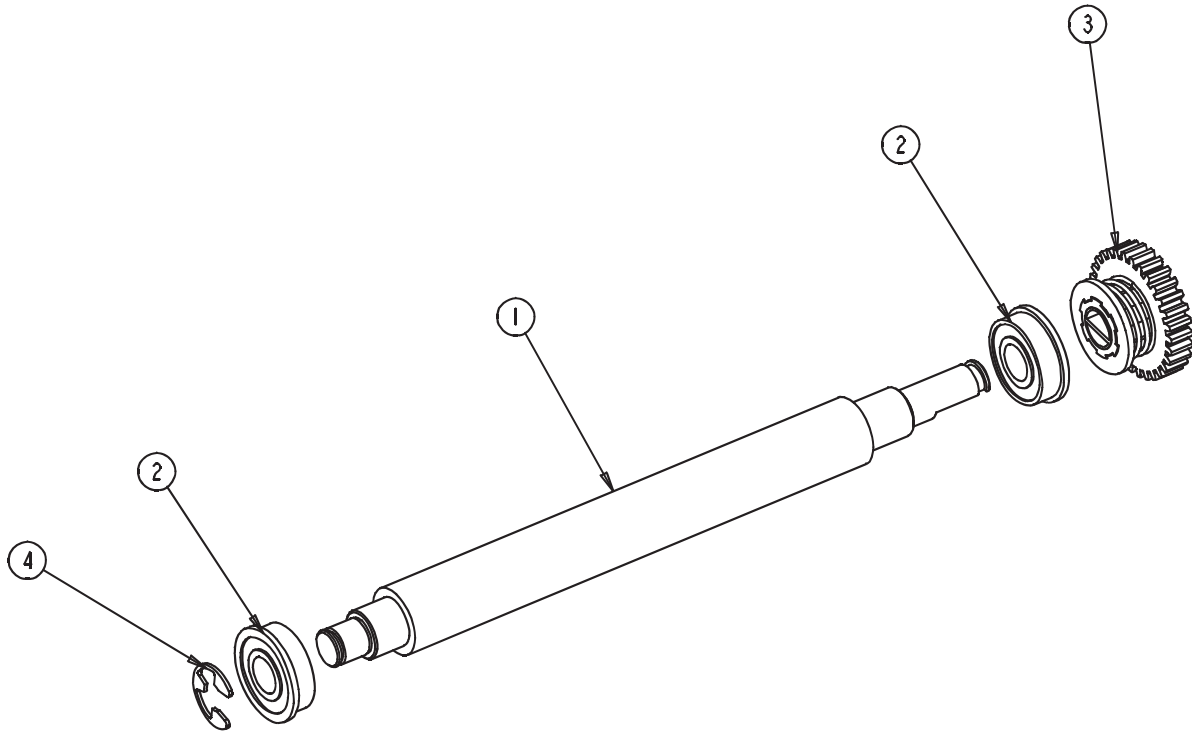
#	Part#	Description	Notes
1	13-2405-02	ROLLER PLATEN 6"	
2	17-3028-01	BEARING FLANGED 440C 3/8 X 7/8	
3	16-2903-01	PULLEY (WHITE) TIMING 23 TEETH	
4	DPO10-3021-07	(25PK) E-RING 3/8 TRUARC CRES	

Peel Roller Assembly (15-3019-12)



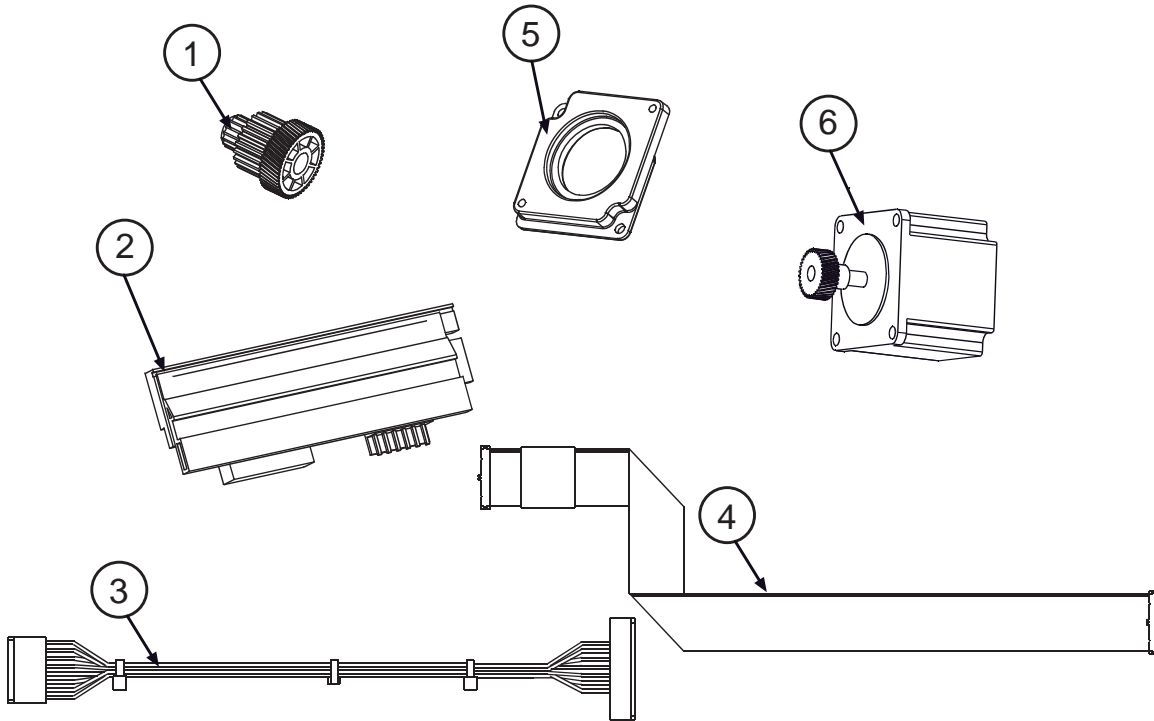
#	Part#	Description	Notes
1	13-2405-02	ROLLER PLATEN 6"	
2	17-3028-01	BEARING FLANGED 440C 3/8 X 7/8	
3	16-2904-01	PULLEY (BLACK) TIMING 22 TEETH	
4	DPO10-3021-07	(25PK) E-RING 3/8 TRUARC CRES	

Take-up Roller Assembly (15-3019-13)



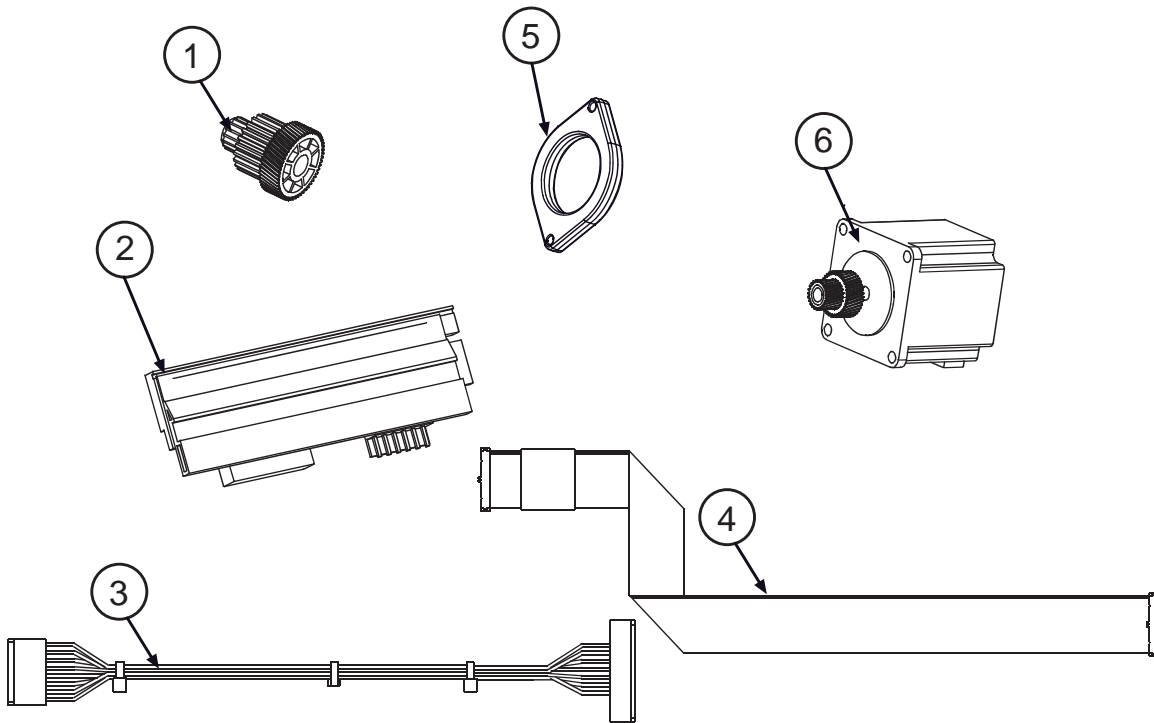
#	Part#	Description	Notes
1	13-2405-02	ROLLER PLATEN 6"	
2	17-3028-01	BEARING FLANGED 440C 3/8 X 7/8	
3	15-3020-01	CLUTCH RIBBON TAKE-UP	
4	DPO10-3021-07	(25PK) E-RING 3/8 TRUARC CRES	

Printhead / Pulley Kit, 203DPI



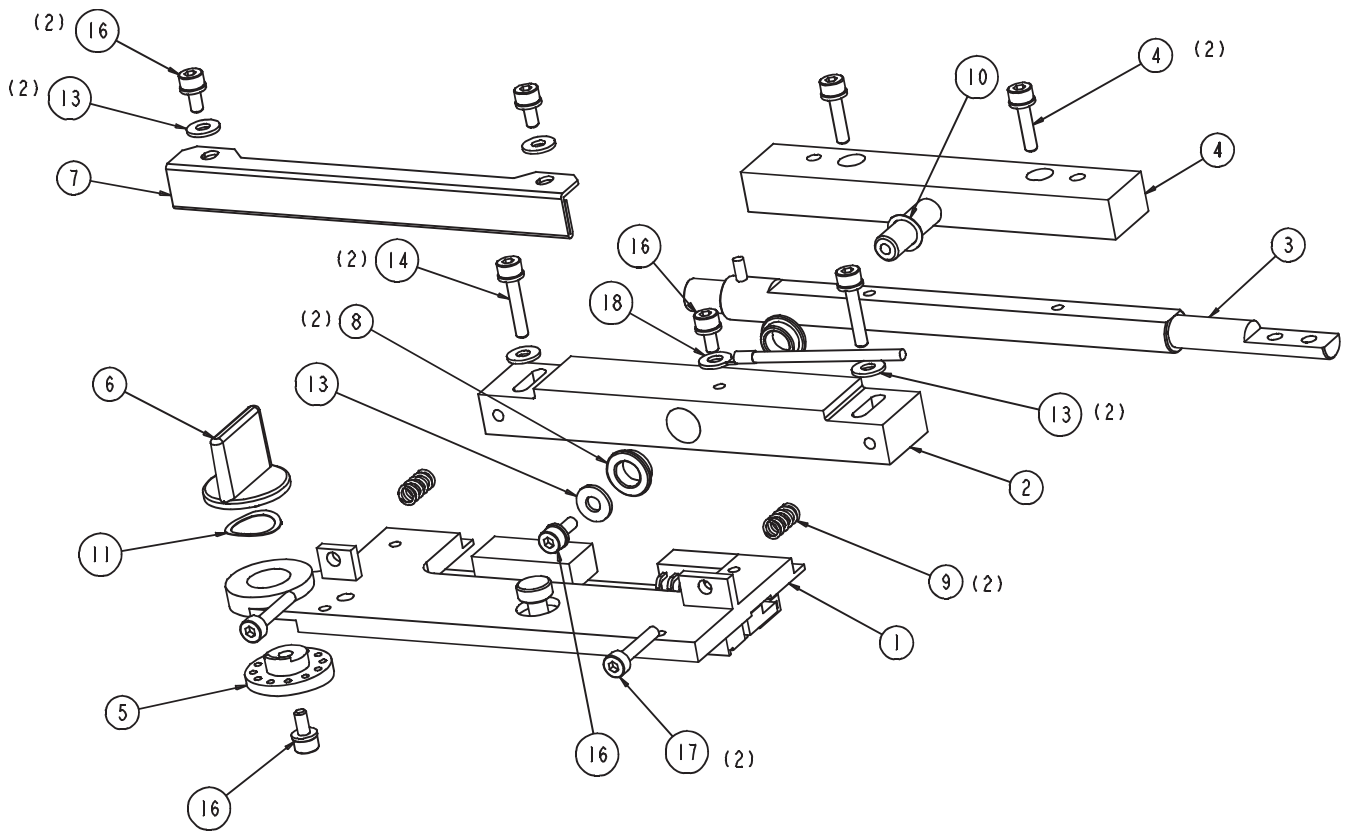
#	Part#	Description	Notes
1	15-3117-01	PULLEY COMPOUND 203DPI	
2	PHD20-2164-01	PRINTHEAD 203 DPI 6"	
3	32-2535-01	CABLE ASSY PRINTHEAD DATA 6" 203	
4	32-2534-02	CABLE ASSY 6" PRINTHEAD PWR	
5	12-3384-01	SPACER MOTOR MOUNTING RH	
6	24-2543-03	STEPPER MOTOR ASSEMBLY	

Printhead / Pulley Kit, 300DPI



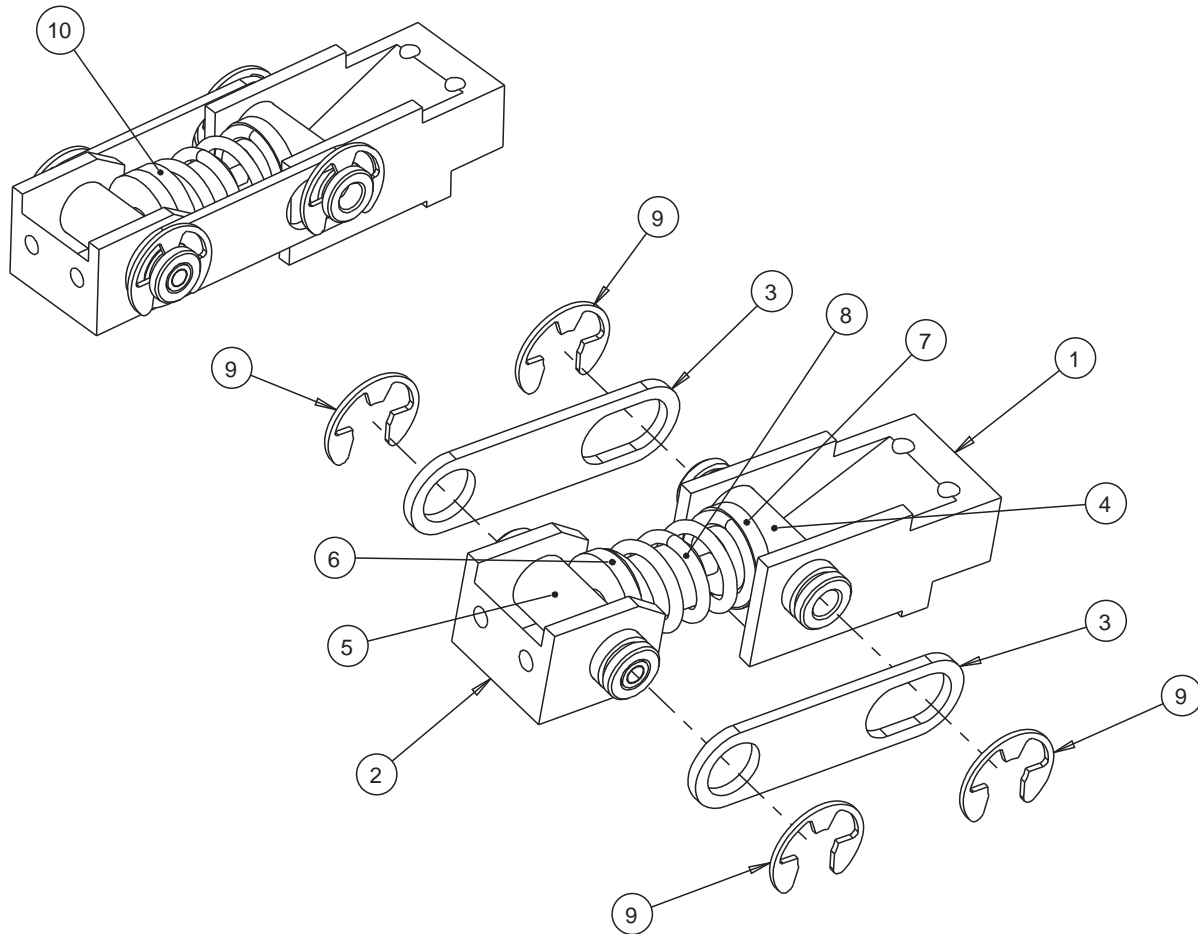
#	Part#	Description	Notes
1	15-3118-01	GEAR COMPOUND 300DPI	
2	PHD20-2195-01	PRINthead 300 DPI, 6"	
3	32-2534-02	CABLE ASSY 6" PRINthead PWR	
4	32-2536-01	CABLE ASSY PRINthead DATA 6" 300	
5	12-3370-01	SPACER MOTOR MOUNTING	
6	24-2543-02	STEPPER MOTOR ASSEMBLY	

Printhead Assembly (15-2977-02)



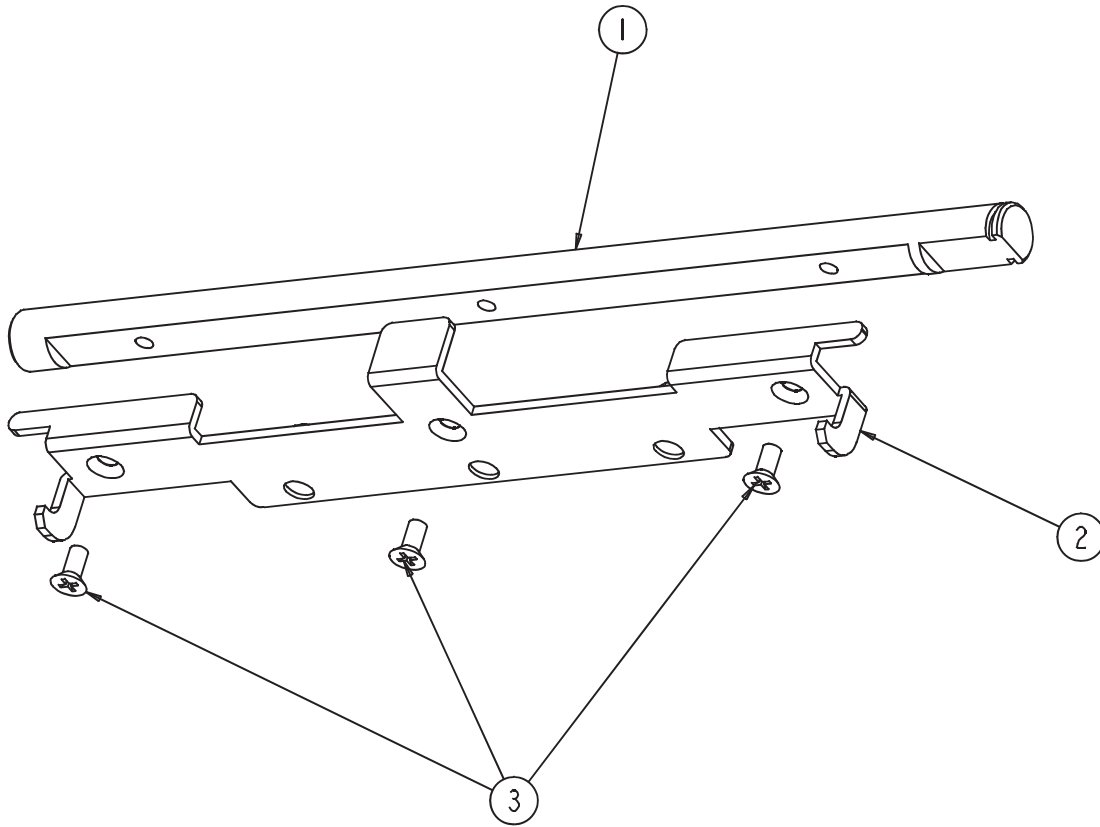
#	Part#	Description	Notes
1	15-3103-01	ASSY, 6" RH PRINthead MOUNT	
2	12-3267-02	PIVOT 6" PRINthead	
3	12-3233-02	SHAFT PRINthead MOUNT	
4	12-3266-01	PLATE PRINthead ADAPTER	
5	DPO16-2906-01	(2PK) CAM NARROW MEDIA	
6	16-2907-01	KNOB NARROW MEDIA	
7	11-5552-02	SHIELD RIBBON 6"	
8	DPO899349	(10PK) BEARING - FLANGED .312	
9	17-3075-01	SPRING COMP .30 OD X .045WD X.56LG	
10	DPO10-3084-01	(10PK) WASHER WAVE .312 ID CRES	
11	DPO10-3084-02	(10PK) WASHER WAVE .505 ID CRES	
13	DPO10-3018-04	(25PK) WASHER FLAT #8 CRES	
14	DPO10-3085-06	(25PK) SCREW SOC HD CAP W/ LW M4 X 20	
16	DPO10-3085-02	(25PK) SCREW SOC HD CAP W/ LW M4 X 8	
17	DPO10-3015-43	(10PK) SCREW SHC M4X20 CRES W/LKG COMP	
18	32-2528-01	GROUND STRAP	

Printhead Pressure Assembly (15-3186-02)



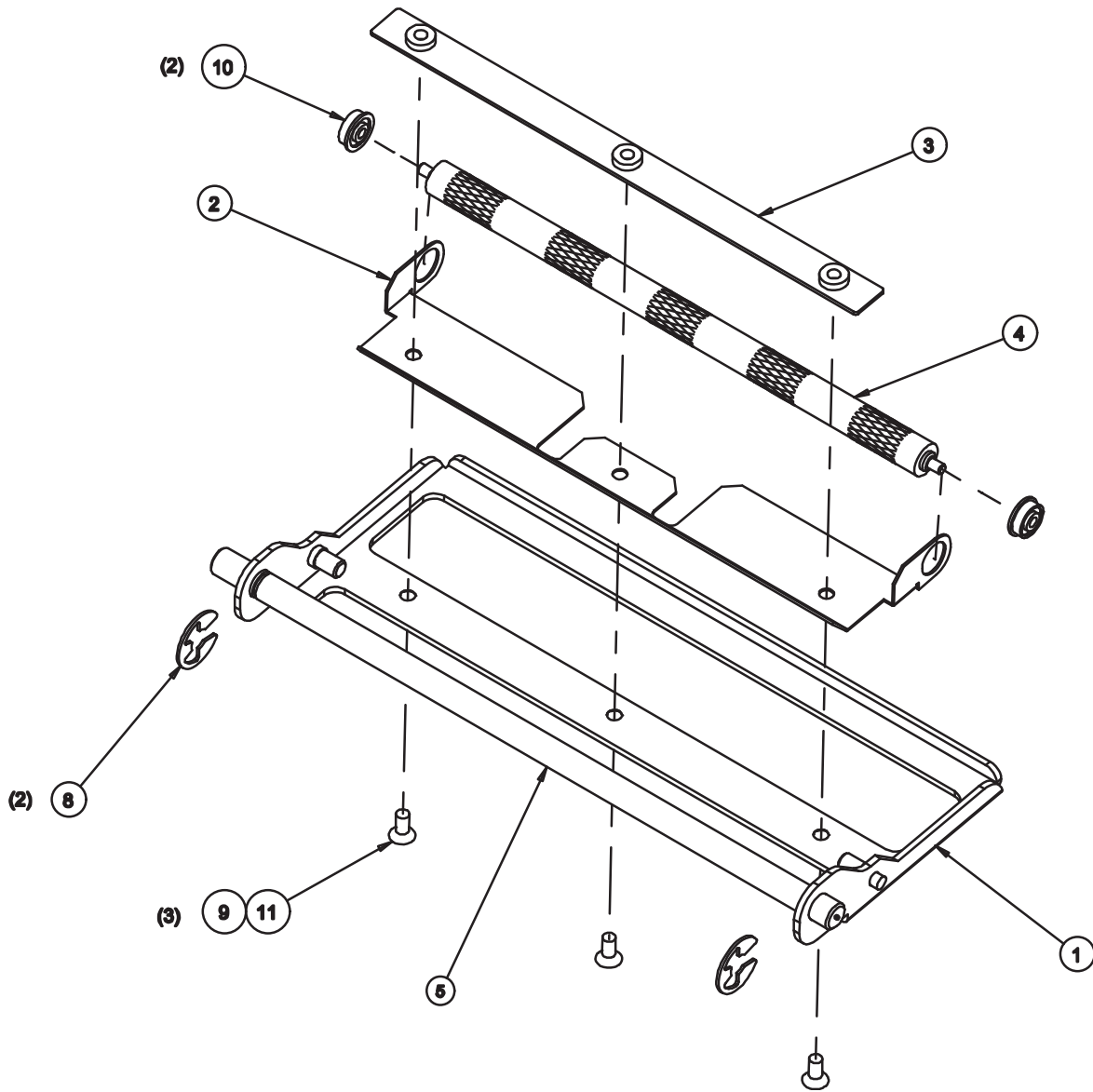
#	Part#	Description	Notes
1	12-3229-01	BRACKET, PRESSURE, LOWER	
2	12-3485-01	BRACKET, PRESSURE UPPER	
3	11-5537-01	RETAINER, PRINthead PRESSURE	
4	12-3486-01	SHAFT, PRINthead PRESSURE	
5	15-3187-01	ASSY, PIVOT PIN	
6	12-3353-01	SLIDE UPPER	
7	12-3354-01	SLIDE, LOWER	
8	17-3160-01	SPRING, COMPRESSION	
9	DPO10-3021-07	(25PK) E-RING 3/8 TRUARC CRES	
10	16-3005-01	SPACER, PH PRESSURE	

Latch Assembly 6" (15-2975-02)



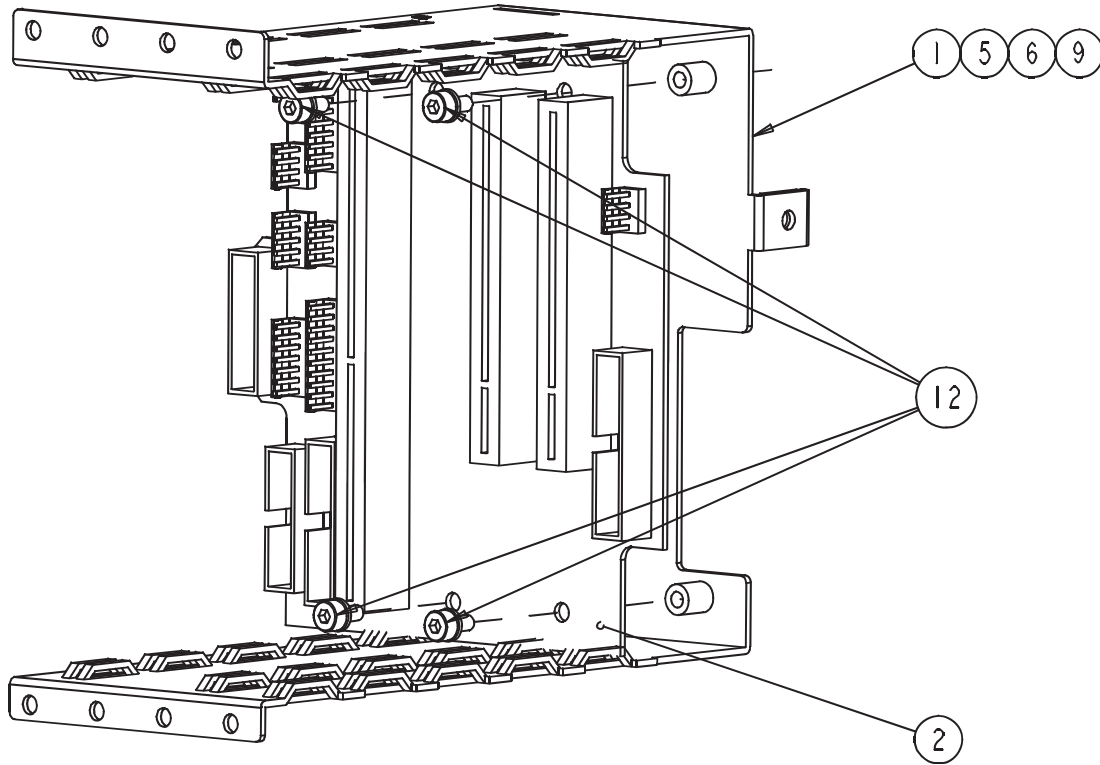
#	Part#	Description	Notes
1	11-5578-02	LATCH 6"	
2	12-3280-02	SHAFT LATCH PIVOT	
3	DPO10-3088-01	(25PK) SCREW FLATHEAD CRES M3 X 6	

Peel Assembly (15-2974-02)



#	Part#	Description	Notes
1	15-3183-02	ASSY 6" PINCH ROLLER FRAME	
2	11-5256-02	SPRING FLAT	
3	11-5599-02	SCREW PLATE 6"	
4	12-3295-02	ROLLER PINCH 6"	
5	12-2574-02	HINGE SHAFT 6"	
8	DPO10-3021-05	(20PK) E-RING 1/4 TRUARC CRES	
9	DPO10-3088-07	(25PK) SCREW FLATHEAD CRES M3 X 5	
10	17-2856-01	BEARING BALL FL .0937 X .3125	
11	--	LOCTITE 242	

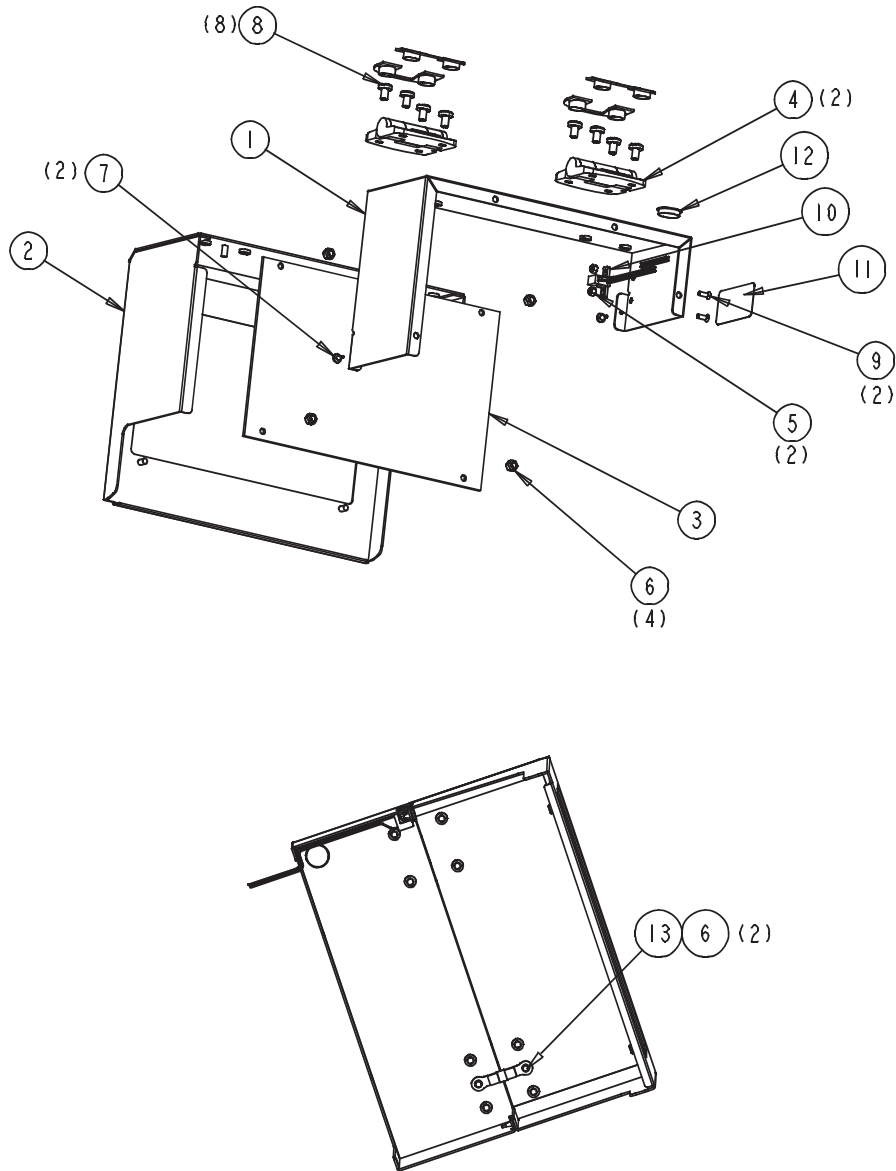
Card Cage Assembly (24-2569-01)



#	Part#	Description	Notes
1	11-5253-02	CARD CAGE	
2	51-2353-00	CCA BACKPLANE A-CLASS	
5	32-2530-01	CABLE ASSY BACK PLANE PWR (not shown)	
6	32-2531-01	CABLE ASSY MOTOR CONTROL (not shown)	
9	32-2540-01	CABLE ASSEMBLY GRAPHICS DISPLAY (not shown)	
12	DPO10-3085-04	(25PK) SCREW SOC HD CAP W/ LW M4 X 12	

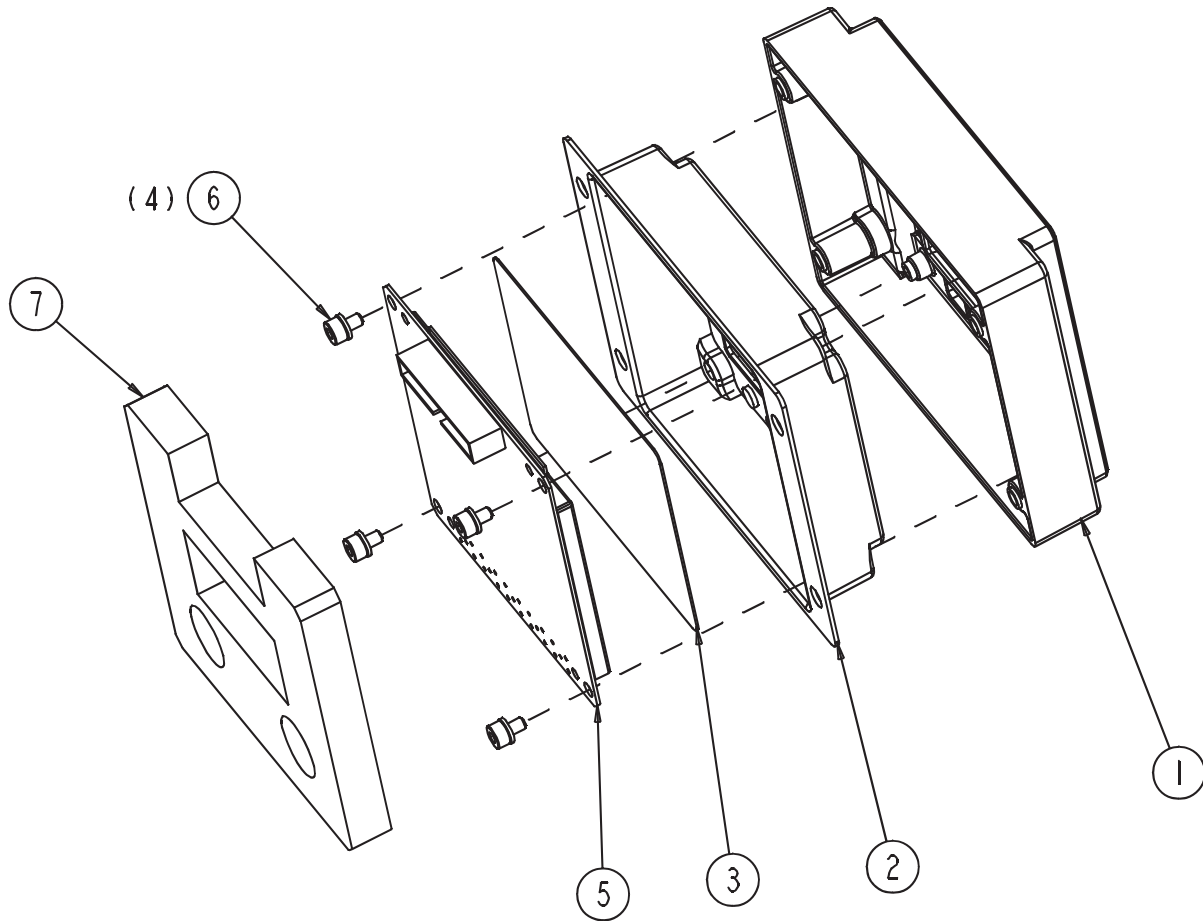
A-Class Left Hand 4" Model Printer Assemblies

Cover Assembly (15-3021-11)



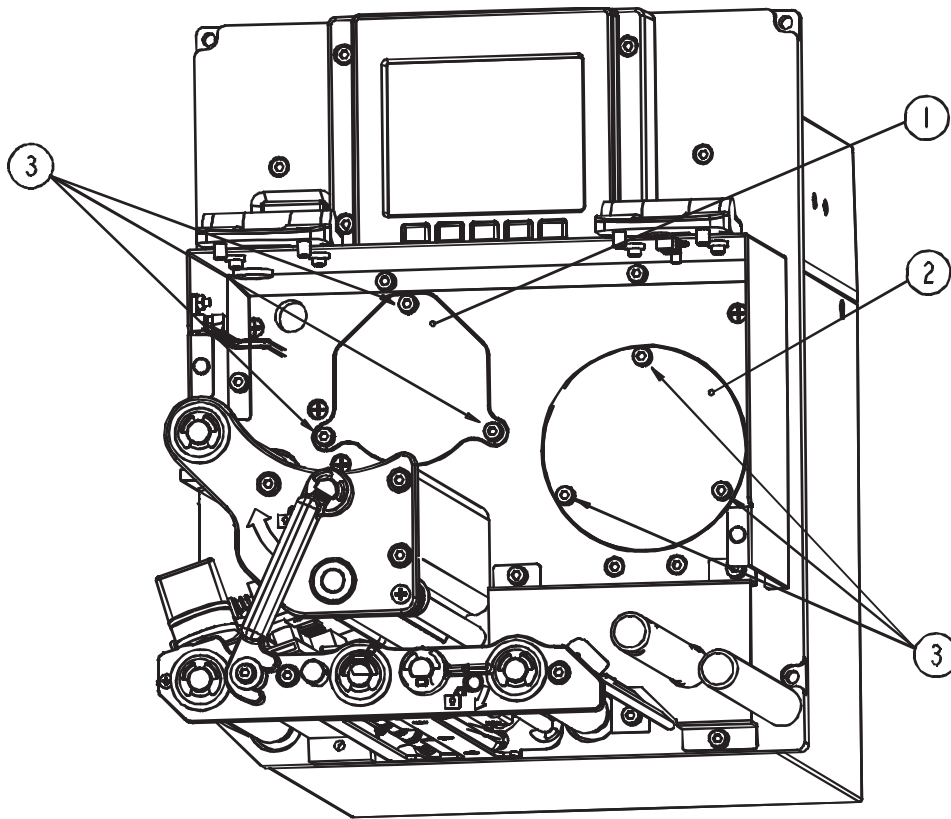
#	Part#	Description	Notes
1	11-5533-11	COVER INNER 4" LH	
2	11-5534-02	COVER OUTER LH	
3	16-2887-01	WINDOW	
4	17-3036-01	HINGE	
5	DPO10-3086-01	(25PK) NUT HEX SELF-LOCKING M3 CRES	
6	DPO10-3091-01	(50PK) NUT HEX SELF-LOCKING M4 CRES	
7	13-2392-01	BUMPER PULL THRU	
8	DPO10-3090-01	(50PK) SCREW PANHEAD M5 X 8 CRES	
9	DPO10-3088-02	(25PK) SCREW FLATHEAD CRES M3 X 8	
10	24-2618-01	CABLE ASSY COVER OPEN	
11	14-2835-01	LABEL WARNING	
12	17-3067-01	PLUG 5/8 HOLE	
13	32-2553-01	GROUND CABLE A-CLASS COVER	

Display Assembly (24-2605-01)



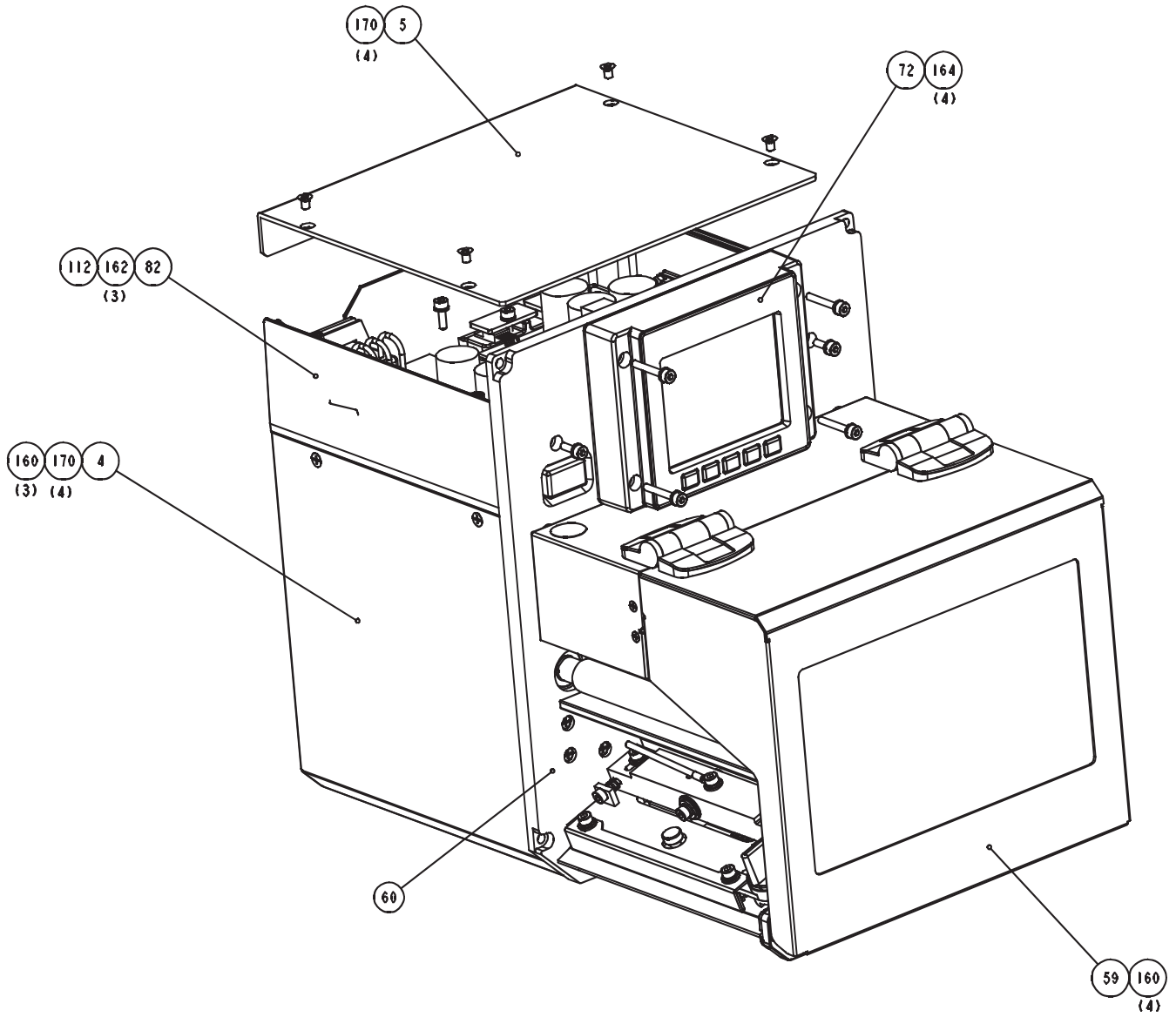
#	Part#	Description	Notes
1	12-3270-01	BEZEL DISPLAY	
2	16-2916-01	KEYPAD 5 BUTTON	
3	16-2961-01	COVER LCD	
5	45-2021-01	DISPLAY GRAPHICS 320X240	
6	DPO10-3085-02	(25PK) SCREW SOC HD CAP W/ LW M4 X 8	
7	13-2425-01	FILLER CONTROL PANEL BOOT	

Direct Thermal (78-2474-01)

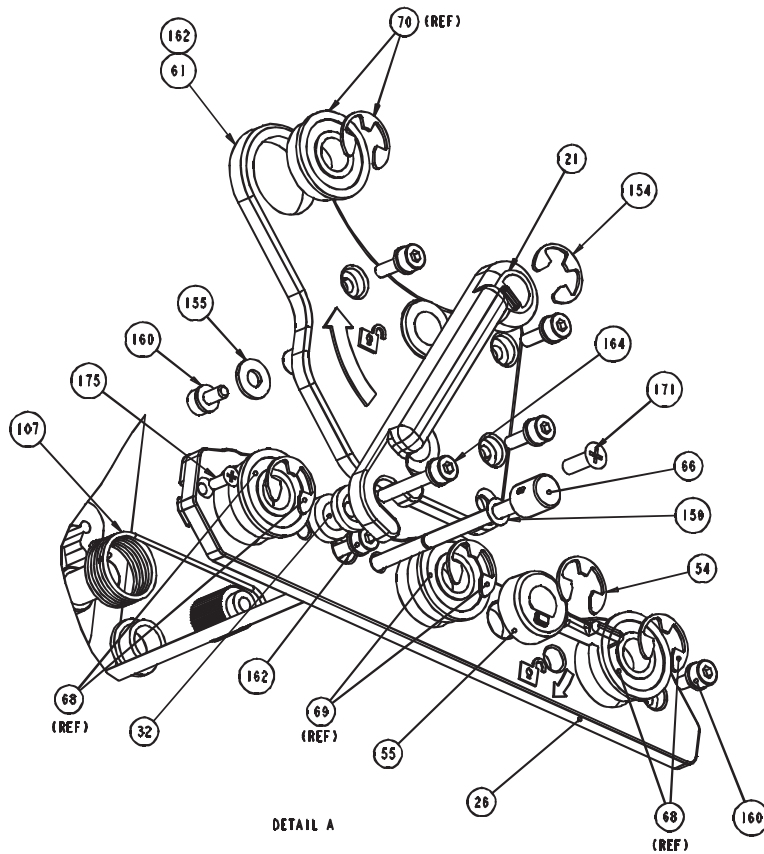
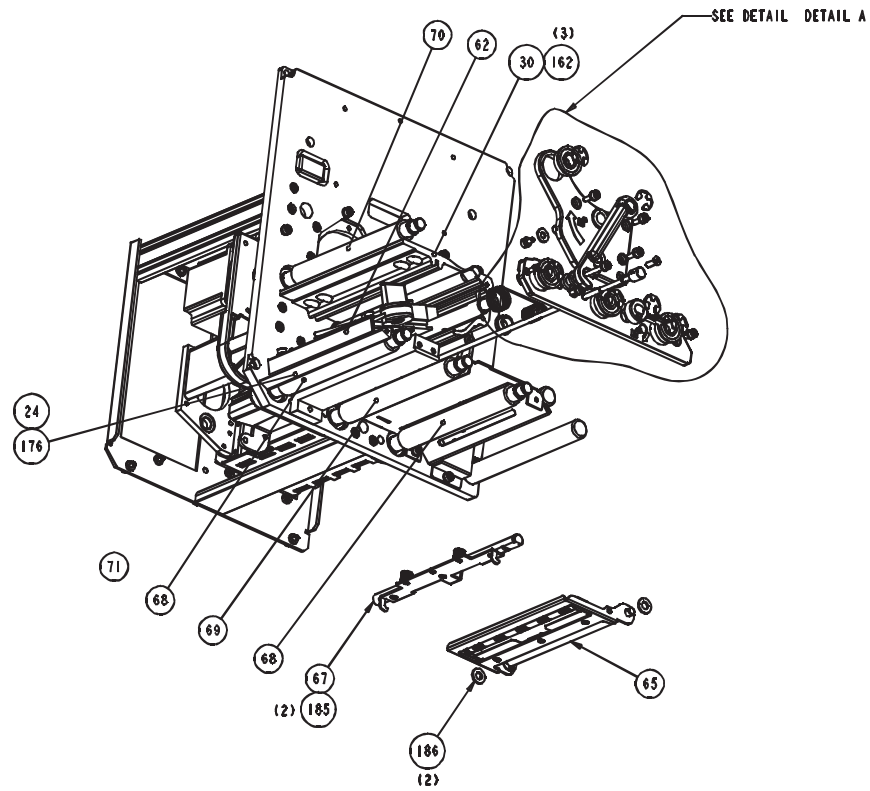


#	Part#	Description	Notes
1	11-5584-01	COVER RIBBON TAKE-UP	
2	11-5585-01	COVER RIBBON SUPPLY	
3	DPO10-3085-02	(25PK) SCREW SOC HD CAP W/ LW M4 X 8	

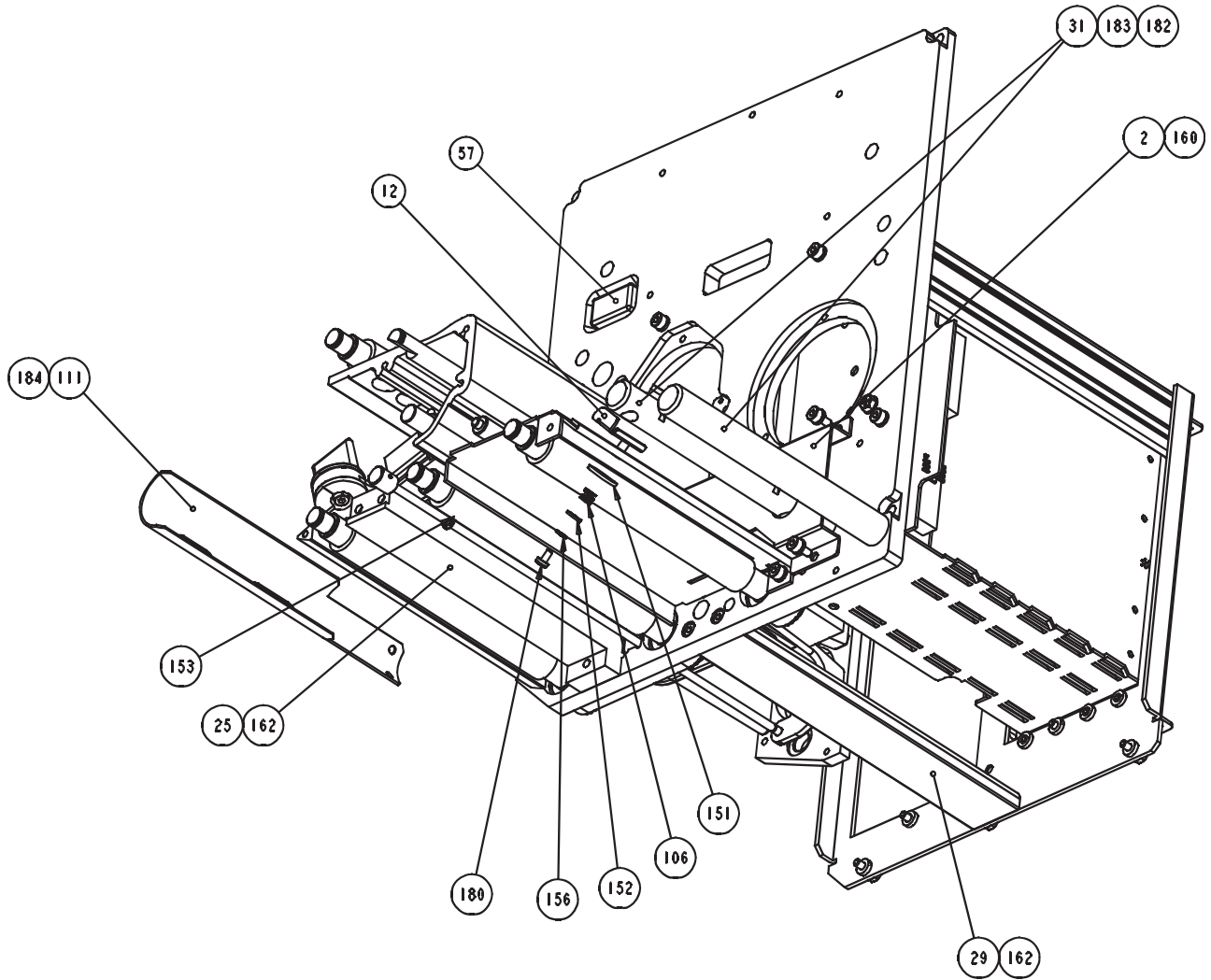
Printer Assembly 1 of 6



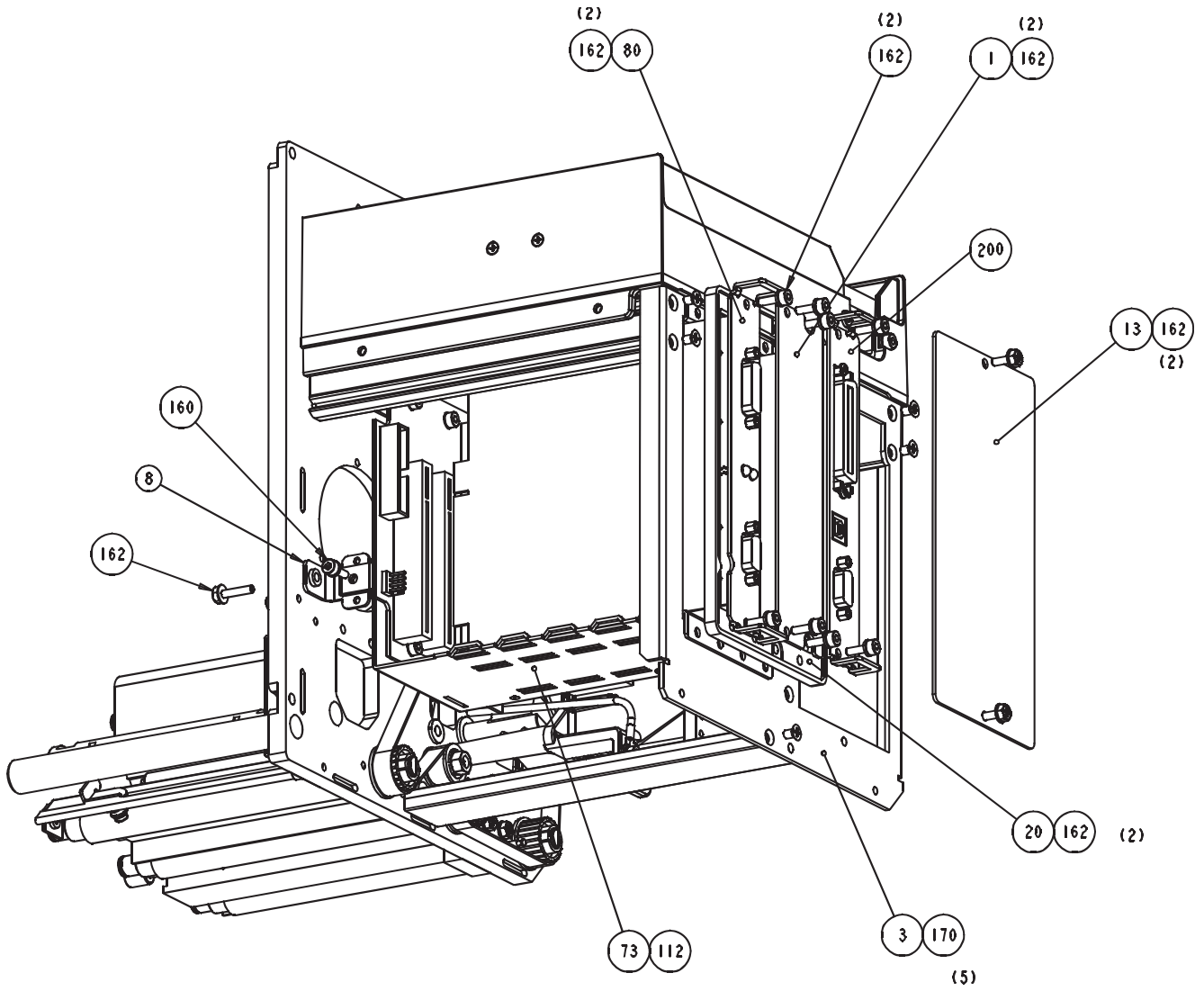
Printer Assembly 2 of 6



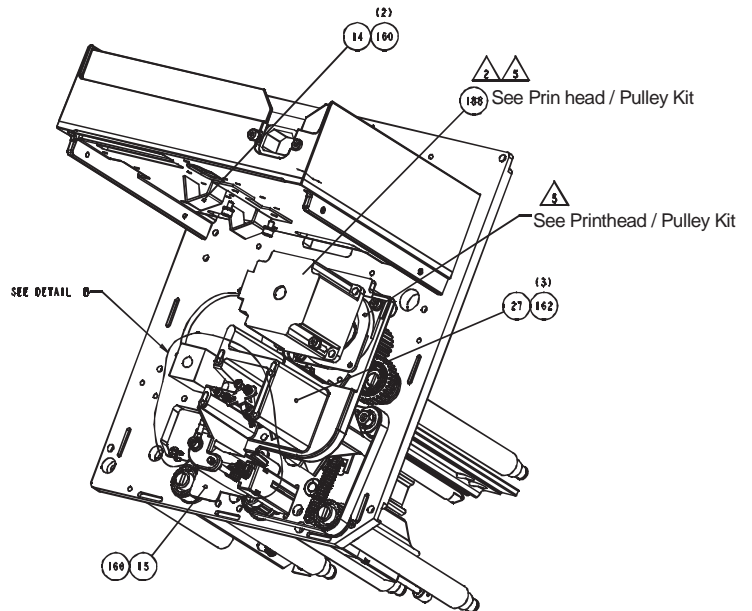
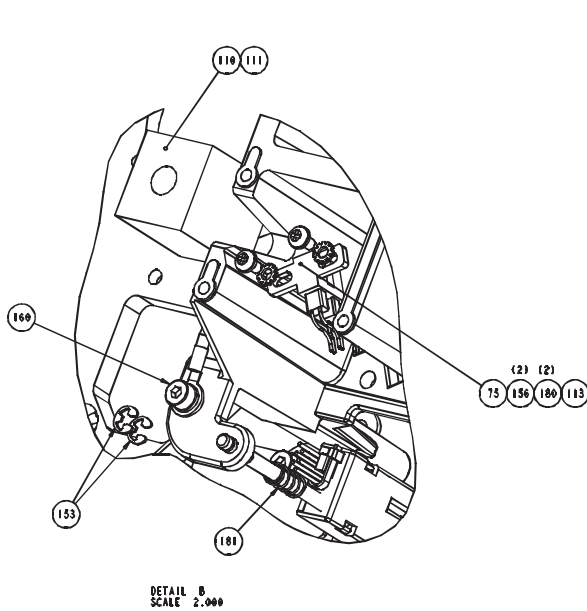
Printer Assembly 3 of 6



Printer Assembly 4 of 6

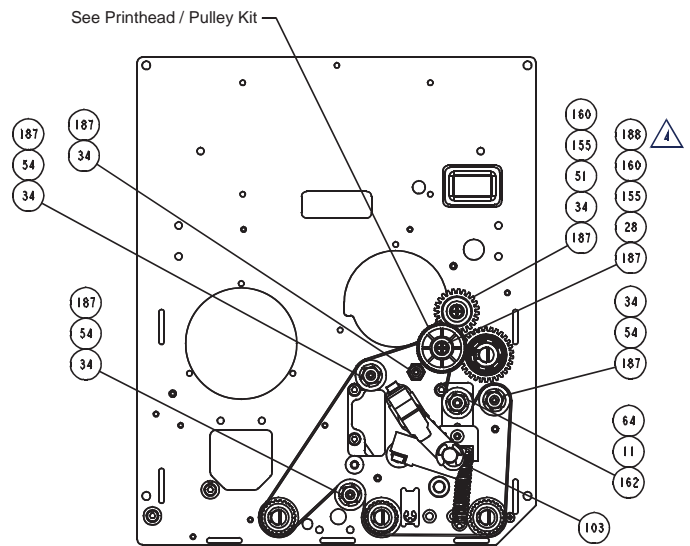
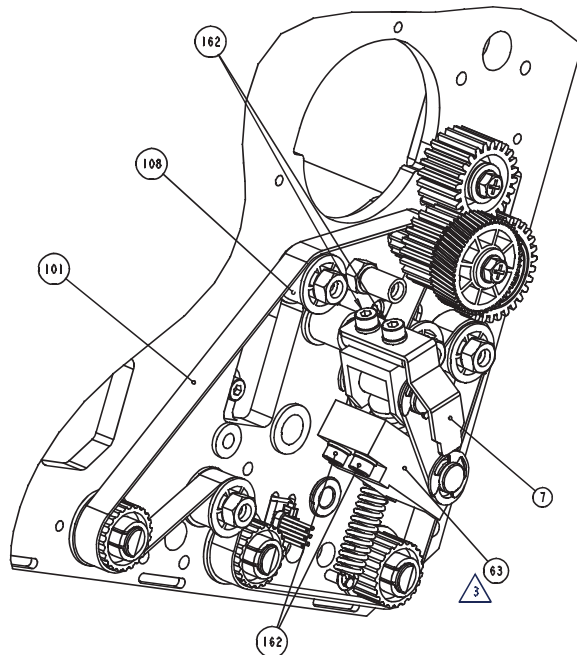


Printer Assembly 5 of 6



- ⚠️ 2 Apply Item 188 to the motor gear.
- ⚠️ 5 Position Motor Spacer and Motor so helical gears are tightly meshed.

Printer Assembly 6 of 6



- ⚠️ 3 Handle must rotate freely. Loosen screws that mount Item 63, raise and lower handle, then tighten screws.
- ⚠️ 4 Add Item 188 to Item 28 prior to installing compound gear.

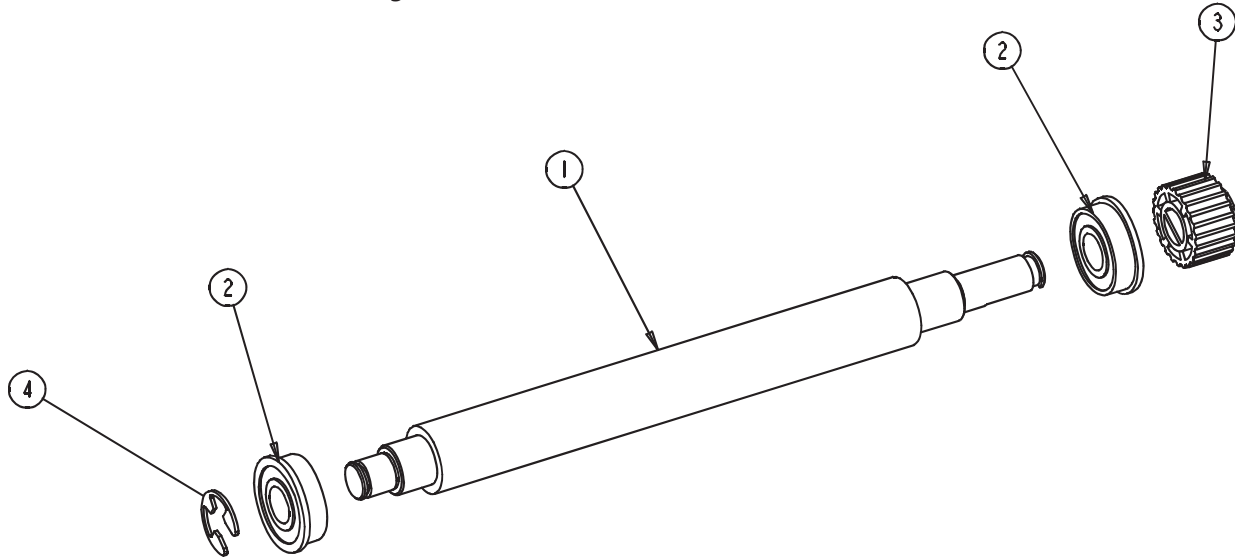
Printer Assemblies 1 - 6

#	Part#	Description	Notes
1	11-5279-01	PLATE COVER EXPANSION	
2	11-5528-02	PLATE GUIDE MEDIA LH	
	11-5528-12	<i>Linerless Models only:</i> PLATE GUIDE MEDIA LH, COATED	
3	11-5529-04	PLATE REAR LH	
4	11-5530-02	COVER REAR LH	
5	11-5531-01	COVER TOP	
6	11-5532-11	PLATE LOWER 4" LH	
	11-5532-31	<i>Linerless Models only:</i> PLATE LOWER 4" LH, COATED	
7	11-5556-01	FLAG PH OPEN	
8	11-5577-01	SUPPORT CARD CAGE	
11	11-5570-01	PLATE NUT	
12	11-5536-02	GUIDE MEDIA ADJUSTABLE LH	
	11-5536-12	<i>Linerless Models only:</i> GUIDE MEDIA ADJ. LH, COATED	
13	11-5427-01	PLATE COVER	
14	11-5602-01	BRACKET RETAINER CABLE	
15	11-5603-01	COVER CABLE	
20	12-2958-01	PLATE MOUNTING REAR	
21	12-3255-02	HANDLE LATCH LH	
22	12-3052-02	SHAFT RIBBON IDLER 4"	
23	12-3217-01	SHAFT LATCH PRINTHEAD 4"	
24	12-3488-01	BAR PEEL 4"	
25	12-3244-01	BLOCK SUPPORT PLATEN 4"	
	12-3380-01	<i>Linerless Models only:</i> BLOCK SUPPORT PLATEN 4"	
26	12-3214-02	PLATE SIDE LOWER LH 4"	
27	12-3286-02	BRACKET SUPPORT MOTOR LH	
28	12-3432-01	POST IDLER	
29	12-3221-01	BLOCK SUPPORT REAR	
30	12-3215-01	SUPPORT CENTER 4"	
31	12-3254-01	POST MEDIA 4"	
32	12-3282-01	POST LATCH	
33	12-3051-01	CAM IDLER RIBBON	
34	12-3219-01	POST ILDER	
51	16-2935-01	GEAR IDLER	
54	15-3119-01	ASSEMBLY, PULLEY	
55	16-2924-04	HANDLE LATCH LH	
57	16-2950-01	COVER SWITCH - PROTECTIVE	
59	15-3021-11	COVER ASSEMBLY 4" LH	
60	15-3005-02	CENTERPLATE ASSEMBLY LH	
61	15-3015-02	UPPER SIDE PLATE ASSY LH	
62	15-2977-11	ASSY 4" LH PRINTHEAD	
63	15-3186-11	PH PRESS ASSY 4" LH	
64	15-2970-01	TENSION ASSY	
65	15-2974-11	PINCH ROLLER ASSEMBLY 4" LH	
66	15-2976-01	ASSY THREADED ROD 4"	
67	15-2975-01	LATCH ASSEMBLY 4"	
68	15-3019-01	PLATEN ROLLER ASSY 4" MAIN	
	15-3019-21	<i>Linerless Models only:</i> PLATEN ROLLER ASSY 4" MAIN	
69	15-3019-02	PLATEN ROLLER ASSY 4" PEEL	
	15-3019-22	<i>Linerless Models only:</i> PLATEN ROLLER ASSY 4" PEEL	

Printer Assemblies 1 - 6 (continued)

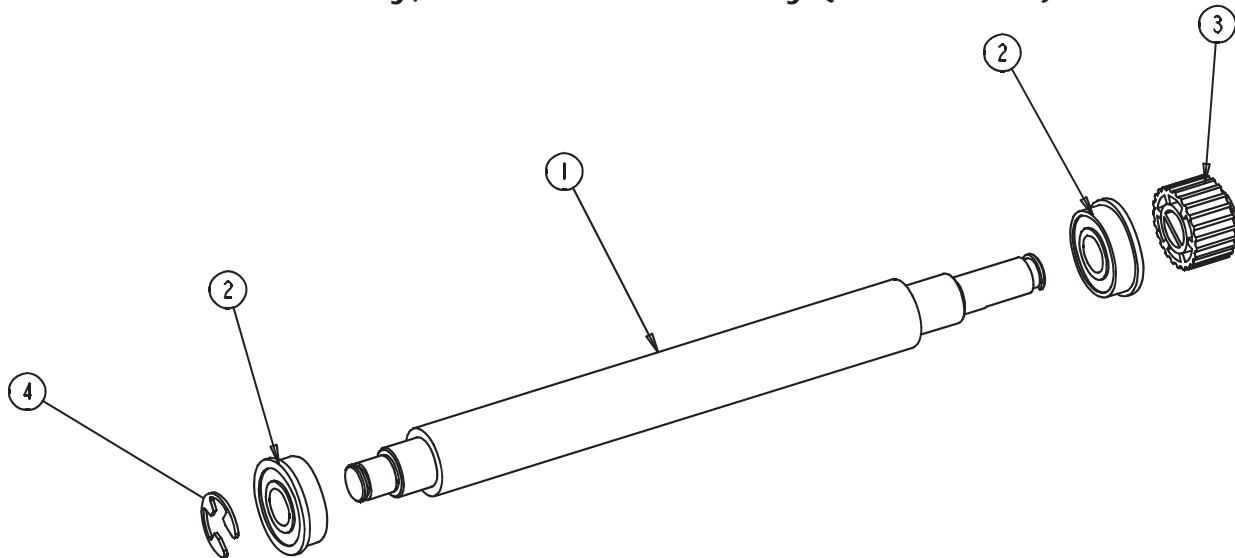
#	Part#	Description	Notes
70	15-3019-03	PLATEN ROLLER ASSY 4" TAKE-UP	
71	DPO24-2604-01	(2PK) MEDIA SENSOR ASSEMBLY	
72	24-2605-01	DISPLAY ASSEMBLY	
73	24-2569-01	CARD CAGE ASSEMBLY A-CLASS 4"	
75	24-2619-01	CABLE ASSY HEAD UP SENSOR	
80	DPO51-2404-10	(1/PK) CCA, Applicator	
82	24-2617-01	POWER SUPPLY ASSEMBLY	
101	17-2987-01	BELT TIMING 184 TEETH 3MM HTD	
103	17-3094-01	SPRING EXTENSION	
105	DPO17-2816-01	(10PK) BUSHING FLANGED.1895 ID .314OD 1/4L	
106	17-3064-01	SPRING COMP .24 ODX.032WD X .375LG	
107	17-3029-02	SPRING TORSION HEAD LIFT LH	
108	17-3011-01	BUSHING FLANGED FF-520-5	
110	44-2060-01	ASSY FERRITE	
111	--	TYWRAP 8"	
112	--	TIE TWIST LOCK	
113	--	TYWRAP 4"	
150	DPO899325	(50PK) SPACER	
151	DPO899294	(20PK) PLATE - BEARING	
152	DPO10-2518-01	(50PK) WASHER FLAT SS	
153	DPO10-3021-03	(25PK) RING RETAINING 5/32 CRES	
154	DPO10-3021-07	(25PK) E-RING 3/8 TRUARC CRES	
155	DPO10-3018-04	(25PK) WASHER FLAT #8 CRES	
156	DPO10-3093-01	(25PK) WASHER M3 EXT TOOTH LOCK CRES	
160	DPO10-3085-02	(25PK) SCREW SOC HD CAP W/ LW M4 X 8	
162	DPO10-3085-04	(25PK) SCREW SOC HD CAP W/ LW M4 X 12	
164	DPO10-3085-07	(25PK) SCREW SOC HD CAP W/ LW M4 X 25	
170	DPO10-3066-01	(25PK) SCREW FLAT HEAD SS M4 X 6	
171	DPO10-3066-04	(25PK) SCREW FLAT HEAD SS M4 X 12	
175	DPO10-3088-04	(25PK) SCREW FLATHEAD CRES M3 X 12	
176	DPO10-3088-05	(25PK) SCREW FLATHEAD CRES M3 X 14	
180	DPO10-3092-01	(25PK) SCREW PHP M3 X 6MM CRES	
181	17-3046-01	SPRING COMPRESSION	
182	DPO10-3096-03	(50PK) WASHER SPLIT LOCK M5 CRES	
183	DPO10-3097-01	(20PK) SCREW SOCKET HD SET M5 X 12 CRES	
184	13-2422-01	RETAINER PRINT HD CABLE 4"	
185	17-3065-01	SPRING COMP .36 ODX.035 WD X .75LG	
186	DPO10-2630-01	(50PK) WASH FLT NYLON .250 ID .500 OD	
187	DPO10-3085-14	(25PK) SCREW SHC W/ LK COMP M4 X 12	
188	--	GREASE SILCONE	
200	DPO51-2342-01	Main Board, A-4212, 4MB	
	DPO51-2342-11	Main Board, A-4212, 8MB	
	DPO51-2342-02	Main Board, A-4310, 4MB	
	DPO51-2342-12	Main Board, A-4310, 8MB	
	DPO51-2342-03	Main Board, A-4408, 4MB	
	DPO51-2342-13	Main Board, A-4408, 8MB	
	DPO51-2342-04	Main Board, A-4606, 4MB	
	DPO51-2342-14	Main Board, A-4606, 8MB	

Platen Roller Assembly (15-3019-01)



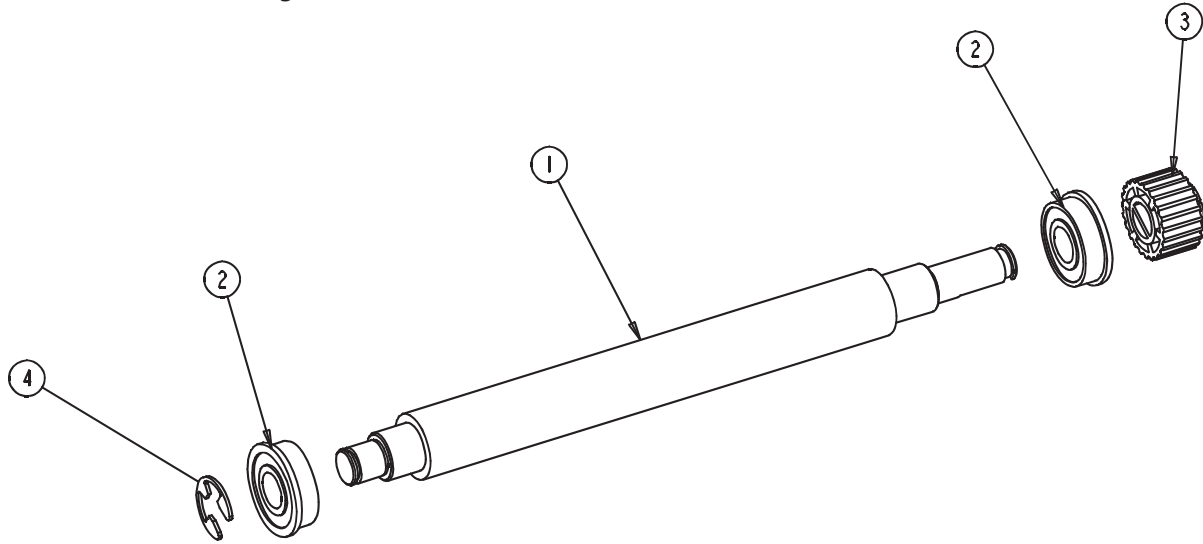
#	Part#	Description	Notes
1	13-2405-01	ROLLER PLATEN 4"	
2	17-3028-01	BEARING FLANGED 440C 3/8 X 7/8	
3	16-2903-01	PULLEY (WHITE) TIMING 23 TEETH	
4	DPO10-3021-07	(25PK) E-RING 3/8 TRUARC CRES	

Platen Roller Assembly, Linerless Models only (15-3019-21)



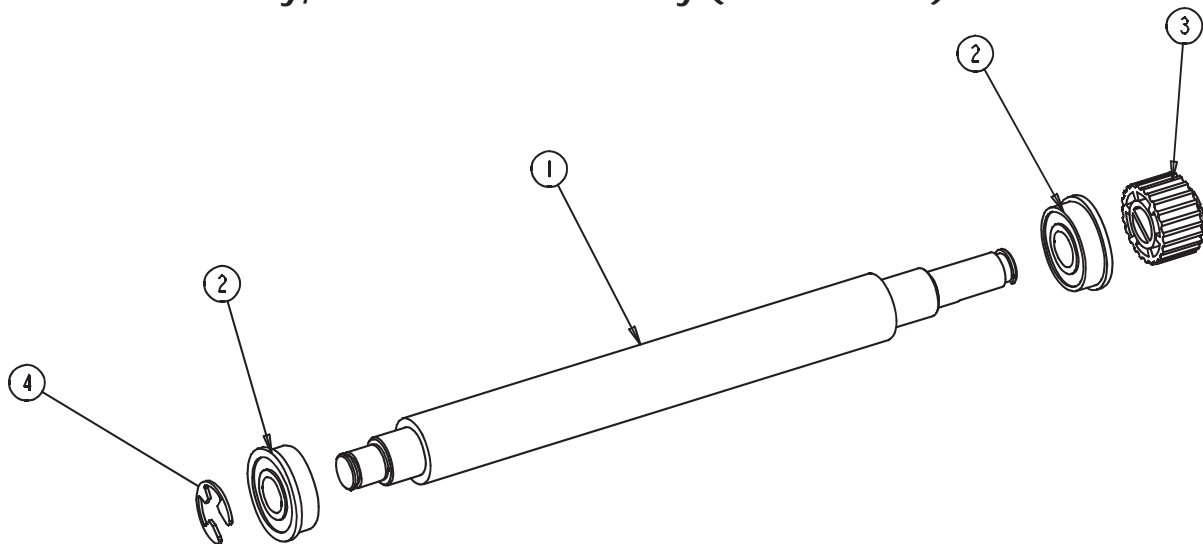
#	Part#	Description	Notes
1	13-2428-01	ROLLER PLATEN 4", LINERLESS	
2	17-3028-01	BEARING FLANGED 440C 3/8 X 7/8	
3	16-2903-01	PULLEY (WHITE) TIMING 23 TEETH	
4	DPO10-3021-07	(25PK) E-RING 3/8 TRUARC CRES	

Peel Roller Assembly (15-3019-02)



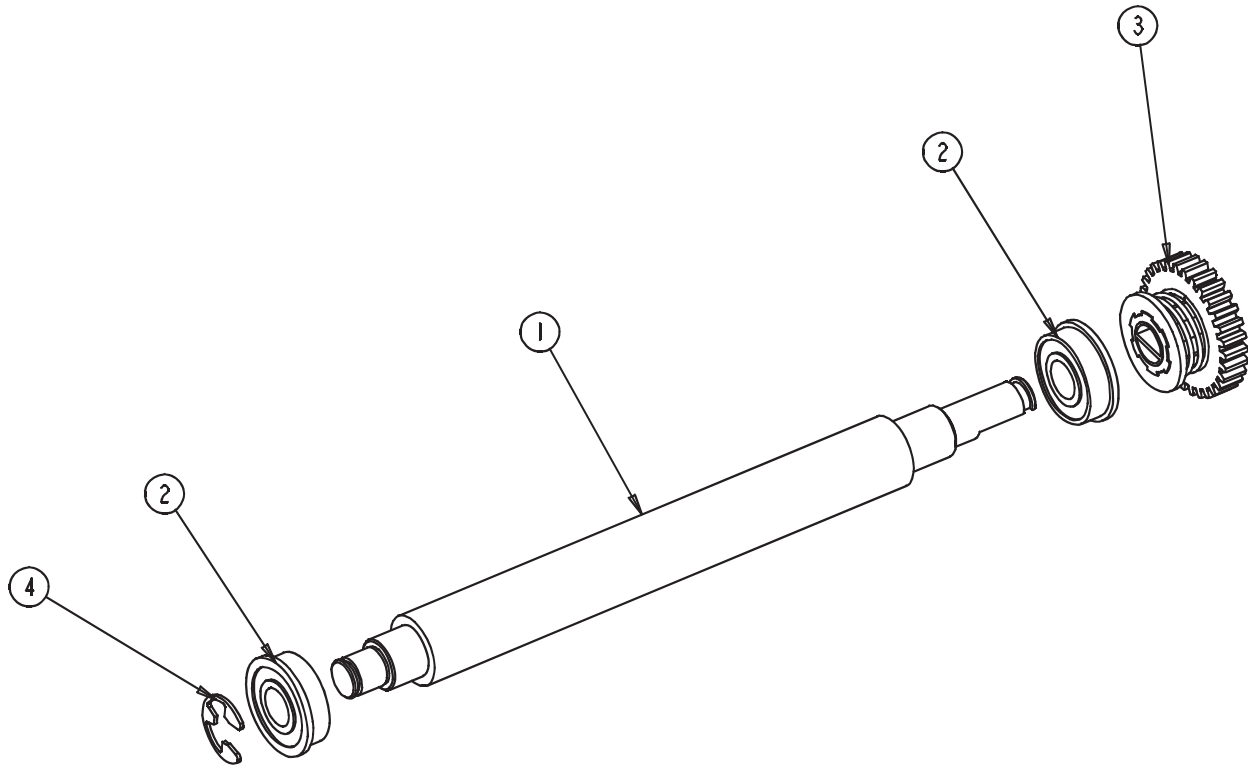
#	Part#	Description	Notes
1	13-2405-01	ROLLER PLATEN 4"	
2	17-3028-01	BEARING FLANGED 440C 3/8 X 7/8	
3	16-2904-01	PULLEY (BLACK) TIMING 22 TEETH	
4	DPO10-3021-07	(25PK) E-RING 3/8 TRUARC CRES	

Peel Roller Assembly, Linerless Models only (15-3019-22)



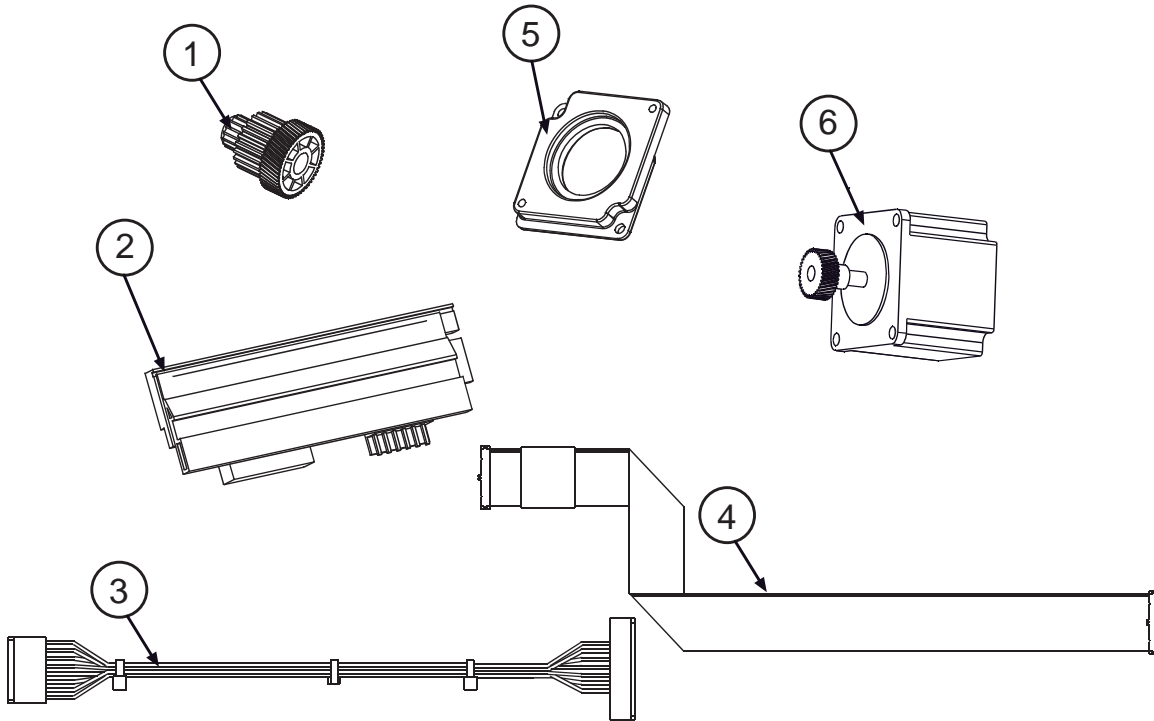
#	Part#	Description	Notes
1	13-2428-01	ROLLER PLATEN 4", LINERLESS	
2	17-3028-01	BEARING FLANGED 440C 3/8 X 7/8	
3	16-2904-01	PULLEY (BLACK) TIMING 22 TEETH	
4	DPO10-3021-07	(25PK) E-RING 3/8 TRUARC CRES	

Take-up Roller Assembly (15-3019-03)



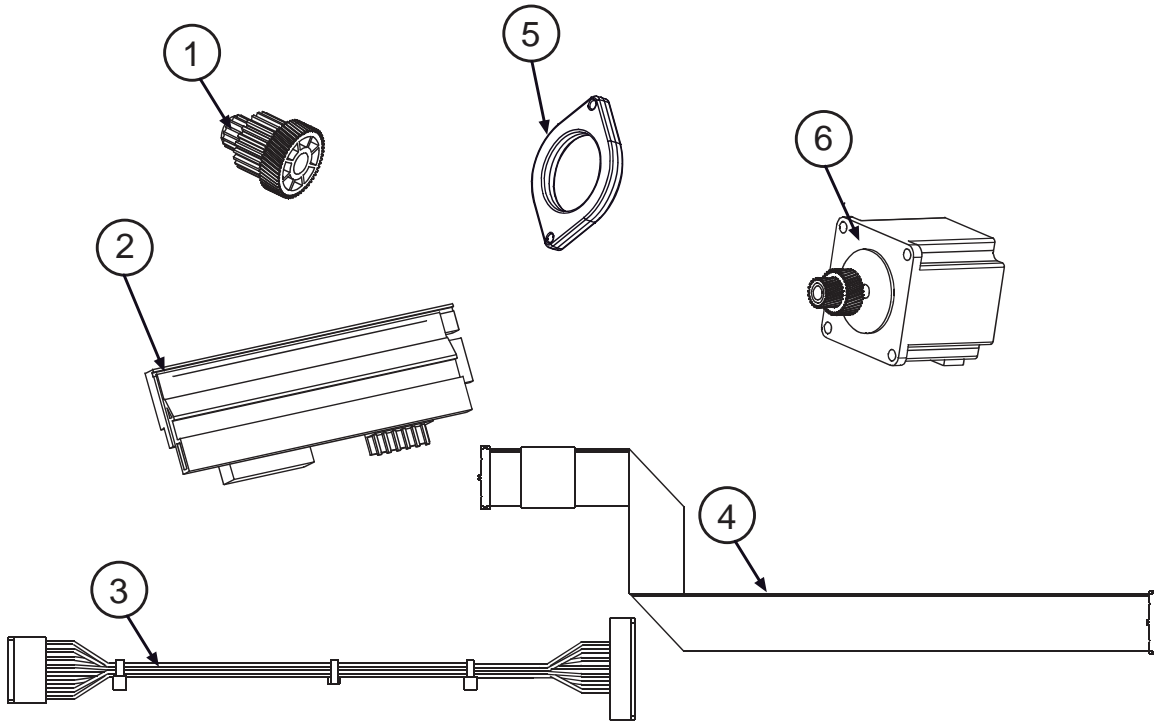
#	Part#	Description	Notes
1	13-2405-01	ROLLER PLATEN 4"	
2	17-3028-01	BEARING FLANGED 440C 3/8 X 7/8	
3	15-3020-01	CLUTCH RIBBON TAKE-UP	
4	DPO10-3021-07	(25PK) E-RING 3/8 TRUARC CRES	

Printhead / Pulley Kit, 203DPI



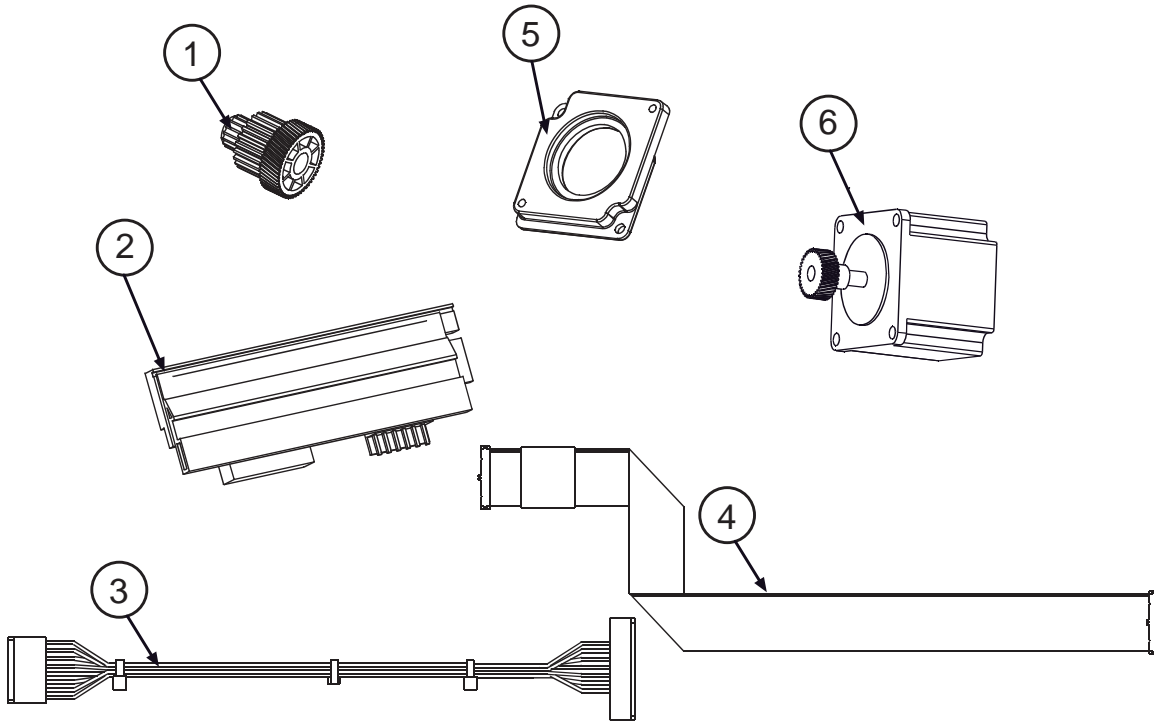
#	Part#	Description	Notes
1	15-3117-01	PULLEY COMPOUND 203DPI	
2	PHD 20-2181-01	PRINthead 203DPI, 4"	
3	32-2532-01	CABLE ASSY 4" PRINthead PWR	
4	32-2533-01	CABLE ASSY PRINthead DATA 4"	
5	12-3384-02	SPACER MOTOR MOUNTING LH	
6	24-2543-03	STEPPER MOTOR ASSEMBLY	

Printhead / Pulley Kit, 300DPI



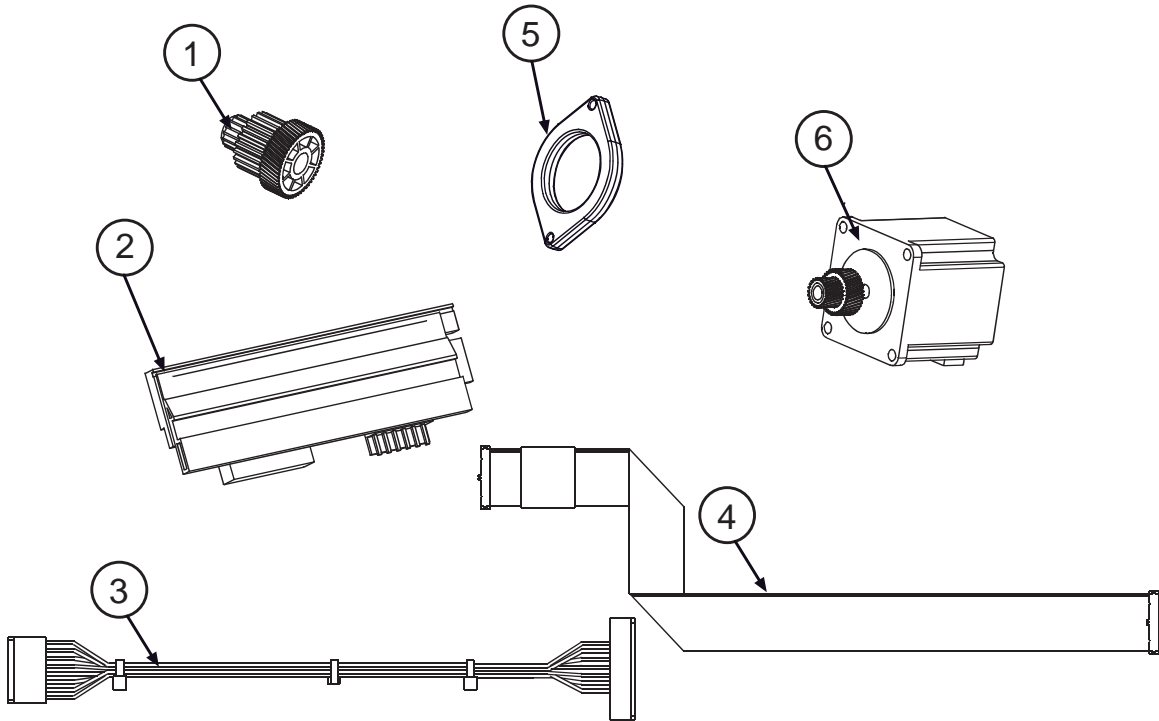
#	Part#	Description	Notes
1	15-3118-01	GEAR COMPOUND 300DPI	
2	PHD20-2182-01	PRINTHEAD 300 DPI, 4"	
3	32-2532-01	CABLE ASSY 4" PRINTHEAD PWR	
4	32-2533-01	CABLE ASSY PRINTHEAD DATA 4"	
5	12-3370-01	SPACER MOTOR MOUNTING	
6	24-2543-02	STEPPER MOTOR ASSEMBLY	

Printhead / Pulley Kit, 406DPI



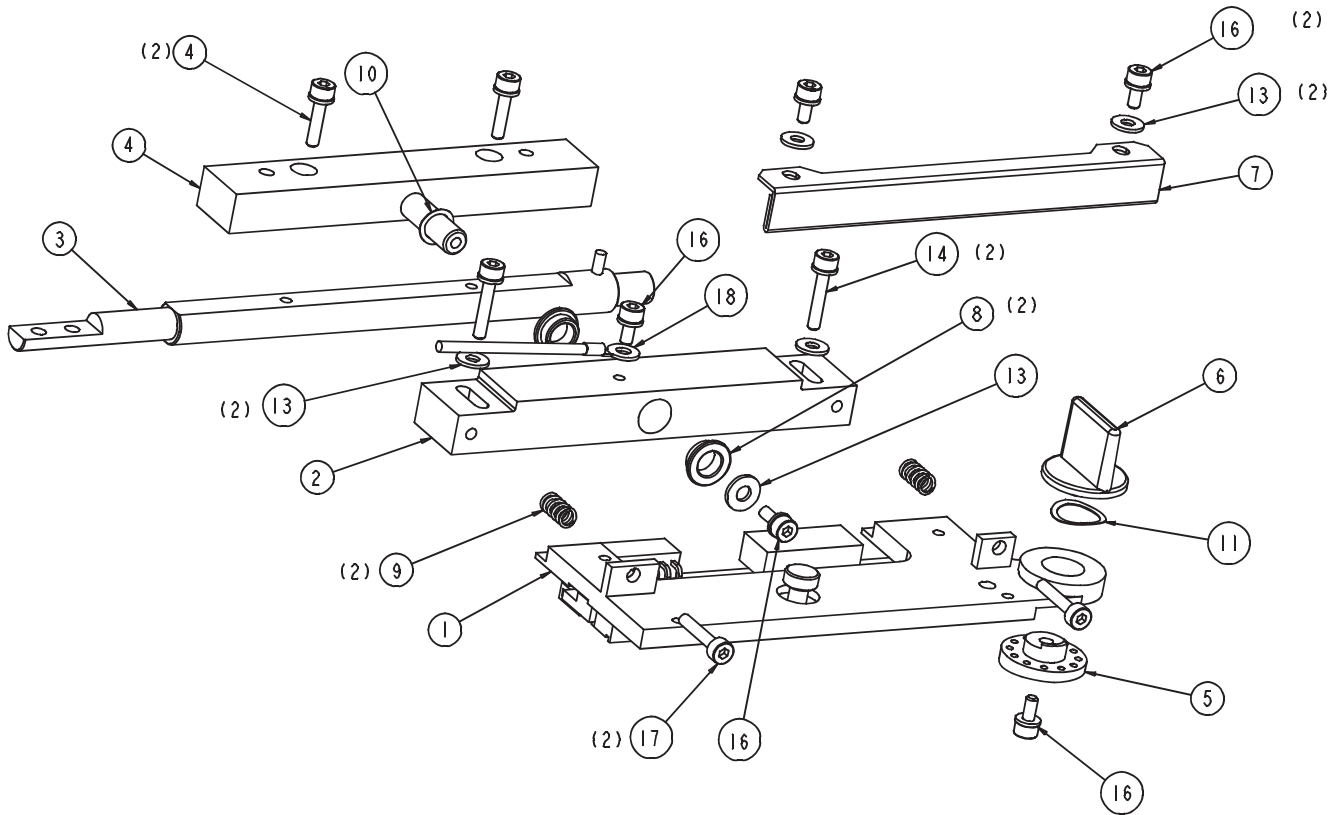
#	Part#	Description	Notes
1	15-3117-01	PULLEY COMPOUND 203DPI	
2	PHD20-2208-01	PRINthead 406 DPI 4"	
3	32-2532-01	CABLE ASSY 4" PRINthead PWR	
4	32-2533-01	CABLE ASSY PRINthead DATA 4"	
5	12-3384-02	SPACER MOTOR MOUNTING LH	
6	24-2543-03	STEPPER MOTOR ASSEMBLY	

Printhead / Pulley Kit, 600DPI



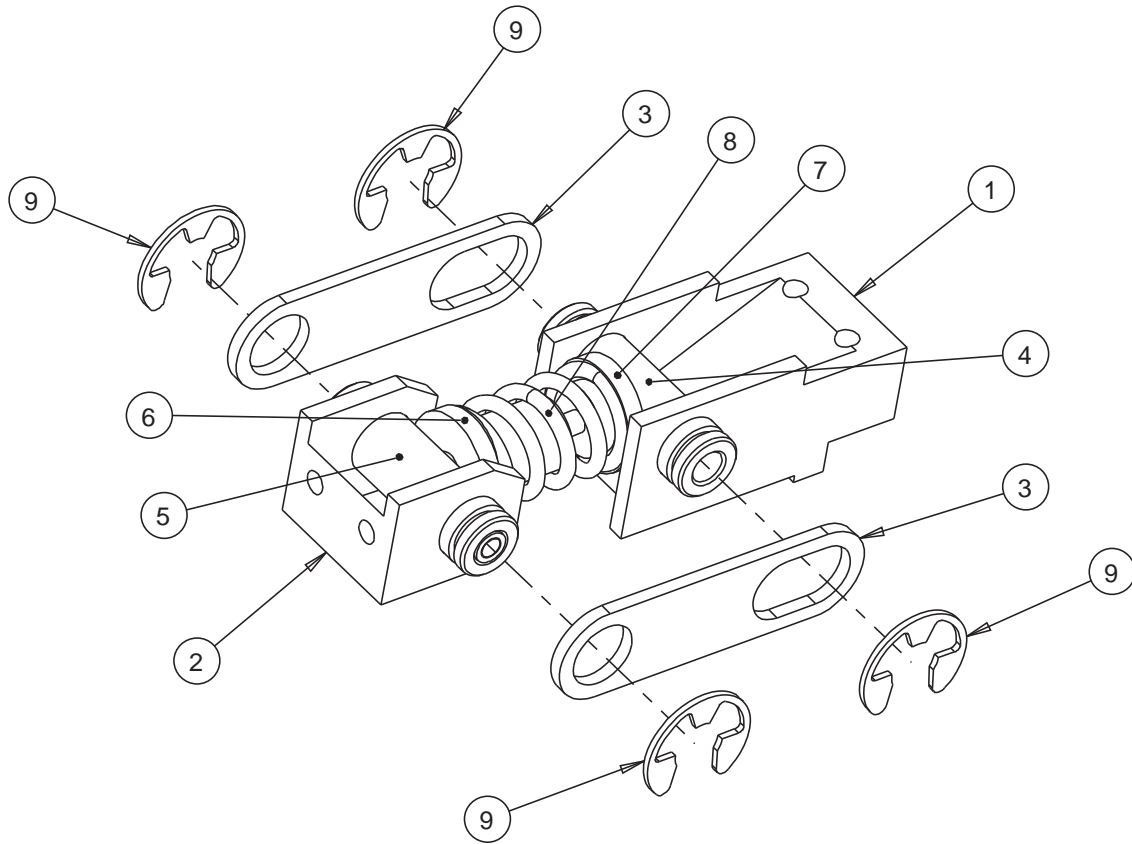
#	Part#	Description	Notes
1	15-3118-01	GEAR COMPOUND 300DPI	
2	PHD20-2209-01	PRINTHEAD 600 DPI	
3	32-2532-01	CABLE ASSY 4" PRINTHEAD PWR	
4	32-2533-01	CABLE ASSY PRINTHEAD DATA 4"	
5	12-3370-01	SPACER MOTOR MOUNTING	
6	24-2543-02	STEPPER MOTOR ASSEMBLY	

Printhead Assembly (15-2977-11)



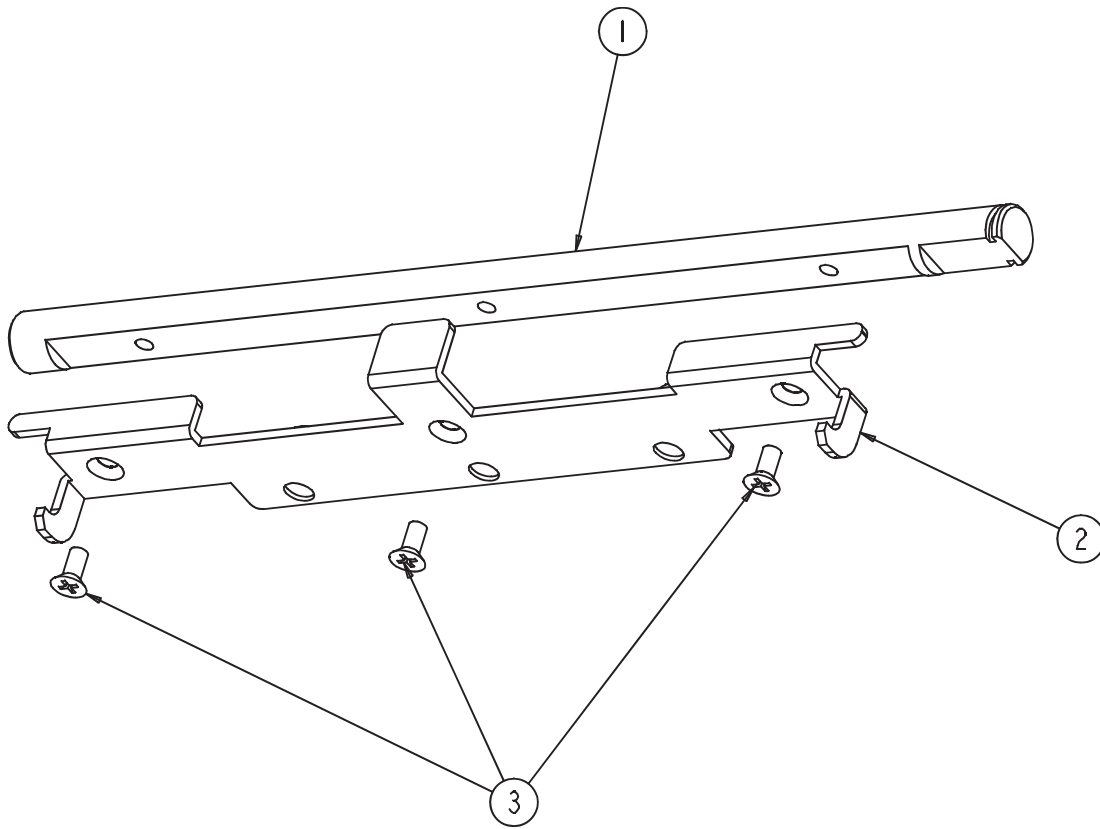
#	Part#	Description	Notes
1	15-3104-01	ASSY, 4" LH PRINthead MOUNT	
2	12-3267-01	PIVOT 4" PRINthead	
3	12-3233-01	SHAFT PRINthead MOUNT	
4	12-3266-01	PLATE PRINthead ADAPTER	
5	DPO16-2906-01	(2PK) CAM NARROW MEDIA	
6	16-2907-01	KNOB NARROW MEDIA	
7	11-5552-01	SHIELD RIBBON 4"	
8	DPO899349	(10PK) BEARING - FLANGED .312	
9	17-3061-01	SPRING COMP .300ODX.045WD X.44LG	
10	DPO10-3084-01	(10PK) WASHER WAVE .312 ID CRES	
11	DPO10-3084-02	(10PK) WASHER WAVE .505 ID CRES	
13	DPO10-3018-04	(25PK) WASHER FLAT #8 CRES	
14	DPO10-3085-06	(25PK) SCREW SOC HD CAP W/ LW M4 X 20	
16	DPO10-3085-02	(25PK) SCREW SOC HD CAP W/ LW M4 X 8	
17	DPO10-3015-43	(10PK) SCREW SHC M4X20 CRES W/LKG COMP	
18	32-2528-01	GROUND STRAP	

Printhead Pressure Assembly (15-3186-11)



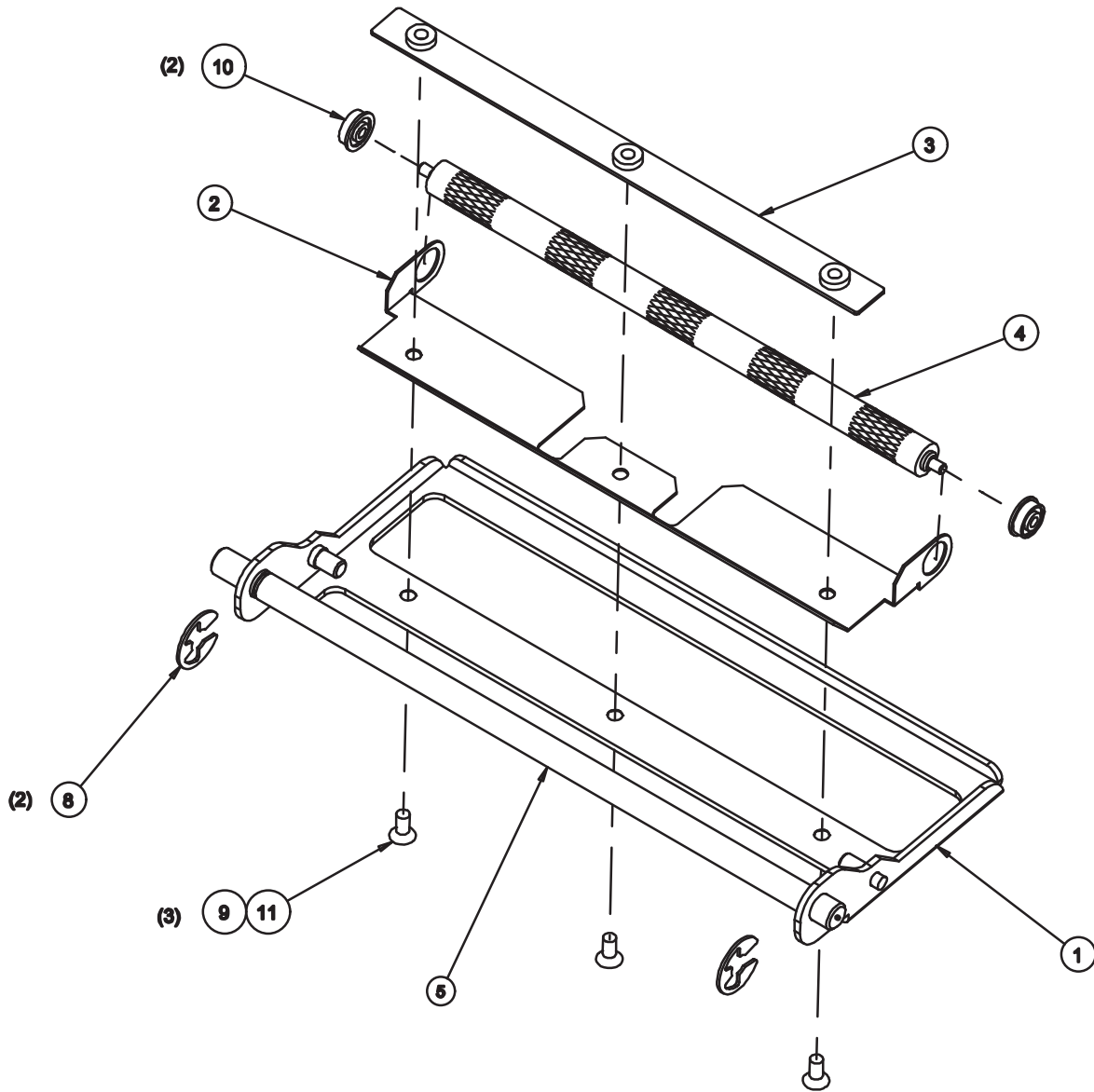
#	Part#	Description	Notes
1	12-3229-01	BRACKET, PRESSURE, LOWER	
2	12-3485-01	BRACKET, PRESSURE UPPER	
3	11-5537-01	RETAINER, PRINthead PRESSURE	
4	12-3486-01	SHAFT, PRINthead PRESSURE	
5	15-3187-01	ASSY, PIVOT PIN	
6	12-3353-01	SLIDE UPPER	
7	12-3354-01	SLIDE, LOWER	
8	17-3160-01	SPRING, COMPRESSION	
9	DPO10-3021-07	(25PK) E-RING 3/8 TRUARC CRES	

Latch Assembly 4" (15-2975-01)



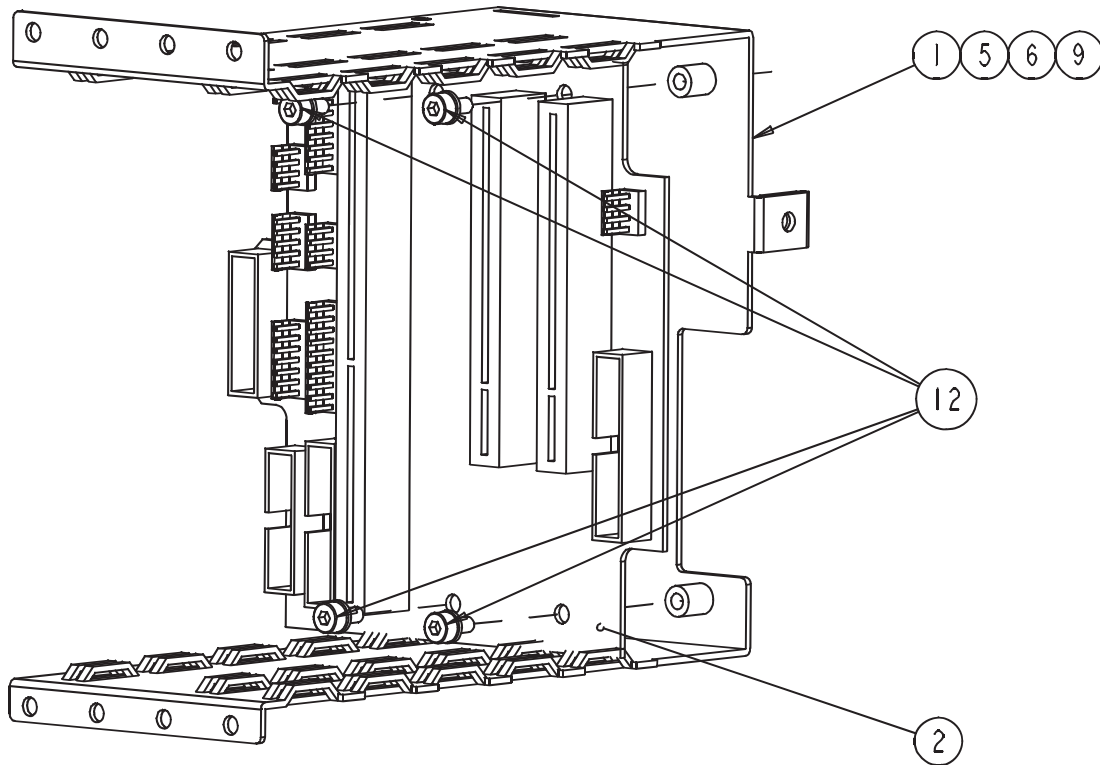
#	Part#	Description	Notes
1	11-5578-01	LATCH 4"	
2	12-3280-01	SHAFT LATCH PIVOT	
3	DPO10-3088-01	(25PK) SCREW FLATHEAD CRES M3 X 6	

Peel Assembly (15-2974-11)



#	Part#	Description	Notes
1	15-3183-01	ASSY 4" PINCH ROLLER FRAME	
2	11-5256-01	SPRING FLAT	
3	11-5599-01	SCREW PLATE 4"	
4	12-3295-01	ROLLER PINCH 4"	
5	12-2574-01	HINGE SHAFT 4"	
8	DPO10-3021-05	(20PK) E-RING 1/4 TRUARC CRES	
9	DPO10-3088-07	(25PK) SCREW FLATHEAD CRES M3 X 5	
10	17-2856-01	BEARING BALL FL .0937 X .3125	
11	--	LOCTITE 242	

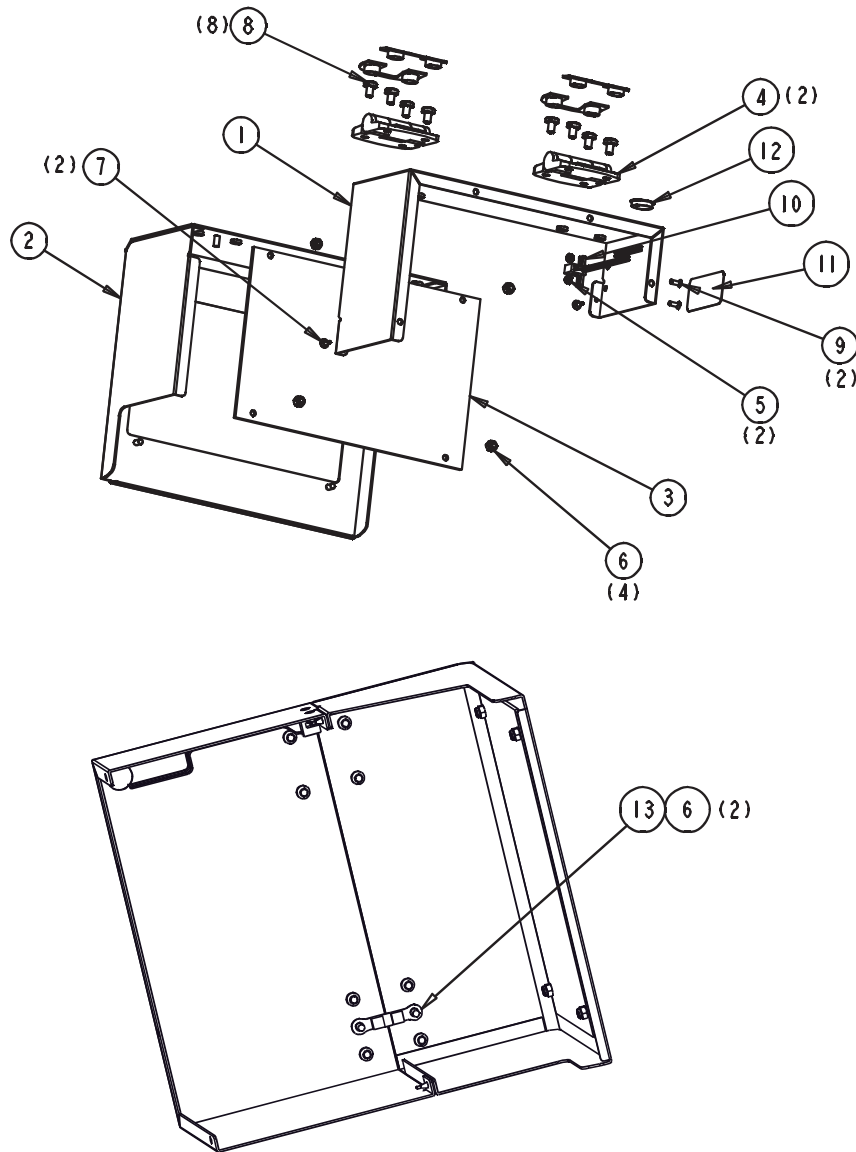
Card Cage Assembly (24-2569-01)



#	Part#	Description	Notes
1	11-5253-02	CARD CAGE	
2	51-2353-00	CCA BACKPLANE A-CLASS	
5	32-2530-01	CABLE ASSY BACK PLANE PWR (not shown)	
6	32-2531-01	CABLE ASSY MOTOR CONTROL (not shown)	
9	32-2540-01	CABLE ASSEMBLY GRAPHICS DISPLAY (not shown)	
12	DPO10-3085-04	(25PK) SCREW SOC HD CAP W/ LW M4 X 12	

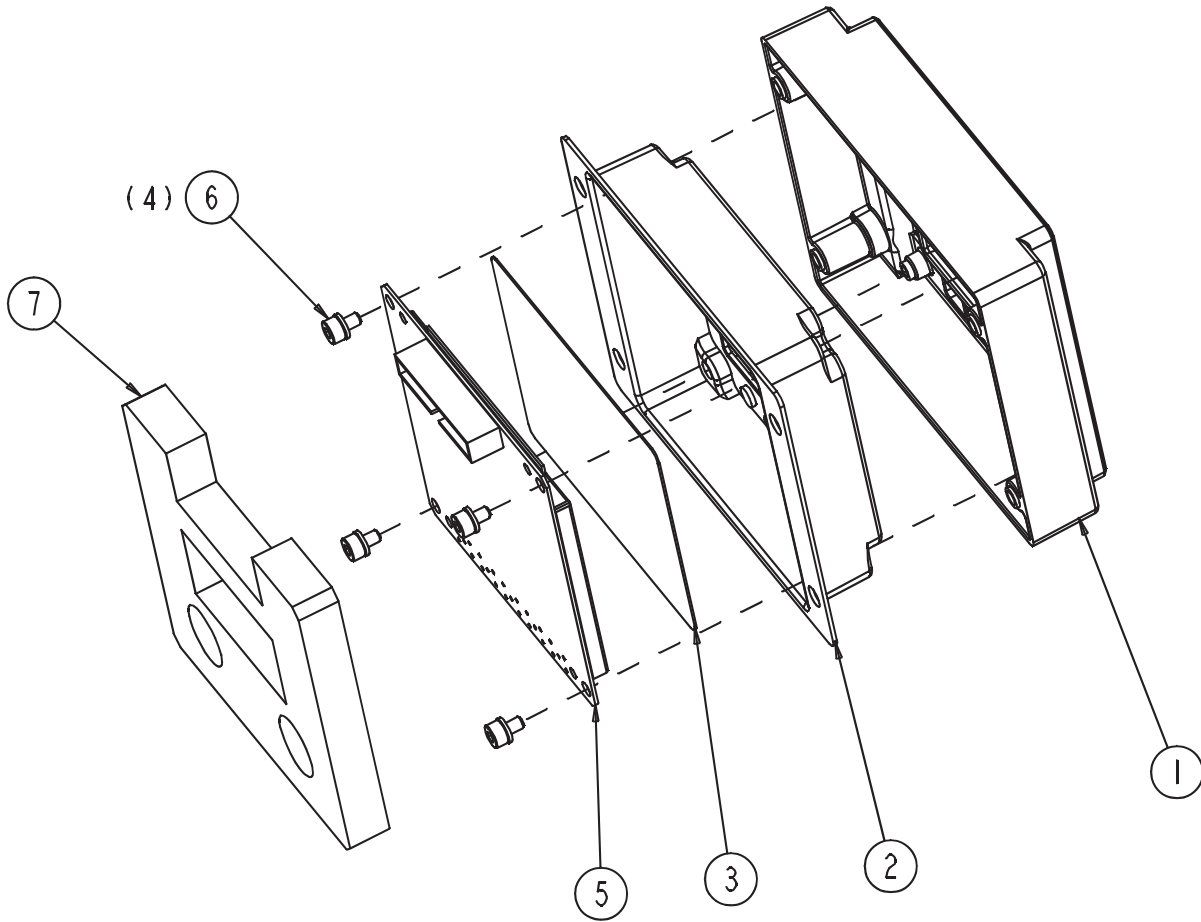
A-Class Left Hand 6" Model Printer Assemblies

Cover Assembly (15-3021-12)



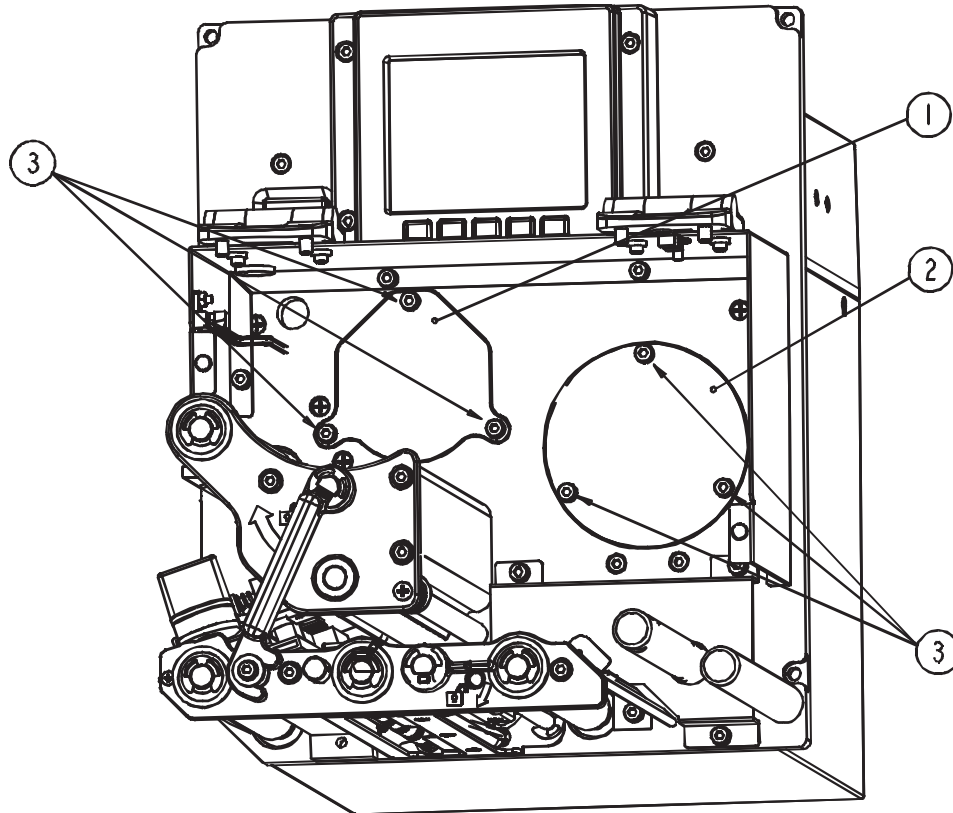
#	Part#	Description	Notes
1	11-5533-12	COVER INNER 6" LH	
2	11-5534-02	COVER OUTER LH	
3	16-2887-01	WINDOW	
4	17-3036-01	HINGE	
5	DPO10-3086-01	(25PK) NUT HEX SELF-LOCKING M3 CRES	
6	DPO10-3091-01	(50PK) NUT HEX SELF-LOCKING M4 CRES	
7	13-2392-01	BUMPER PULL THRU	
8	DPO10-3090-01	(50PK) SCREW PANHEAD M5 X 8 CRES	
9	DPO10-3088-02	(25PK) SCREW FLATHEAD CRES M3 X 8	
10	24-2618-01	CABLE ASSY COVER OPEN	
11	14-2835-01	LABEL WARNING	
12	17-3067-01	PLUG 5/8 HOLE	
13	32-2553-01	GROUND CABLE A-CLASS COVER	

Display Assembly (24-2605-01)



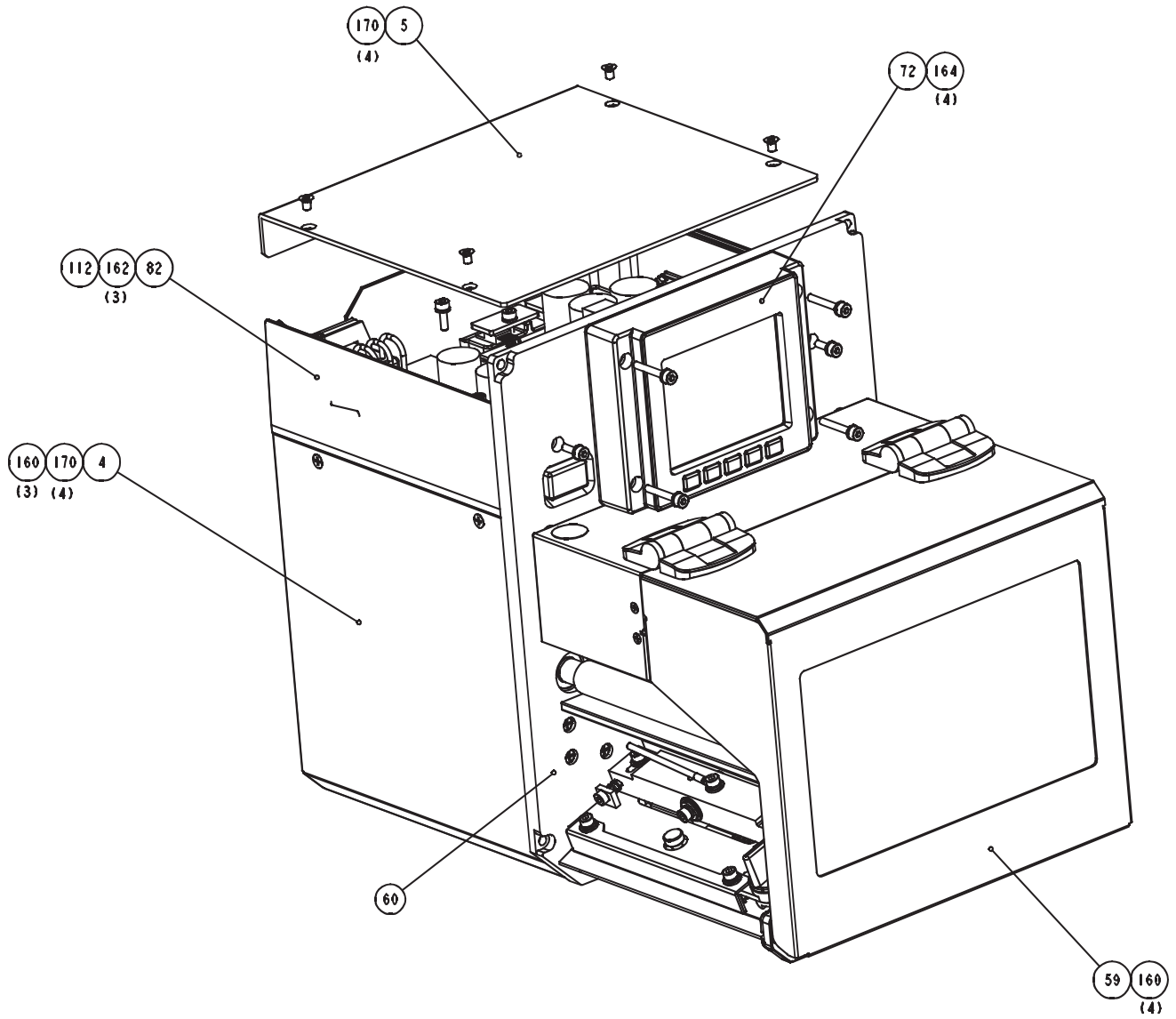
#	Part#	Description	Notes
1	12-3270-01	BEZEL DISPLAY	
2	16-2916-01	KEYPAD 5 BUTTON	
3	16-2961-01	COVER LCD	
5	45-2021-01	DISPLAY GRAPHICS 320X240	
6	DPO10-3085-02	(25PK) SCREW SOC HD CAP W/ LW M4 X 8	
7	13-2425-01	FILLER CONTROL PANEL BOOT	

Direct Thermal (78-2474-01)

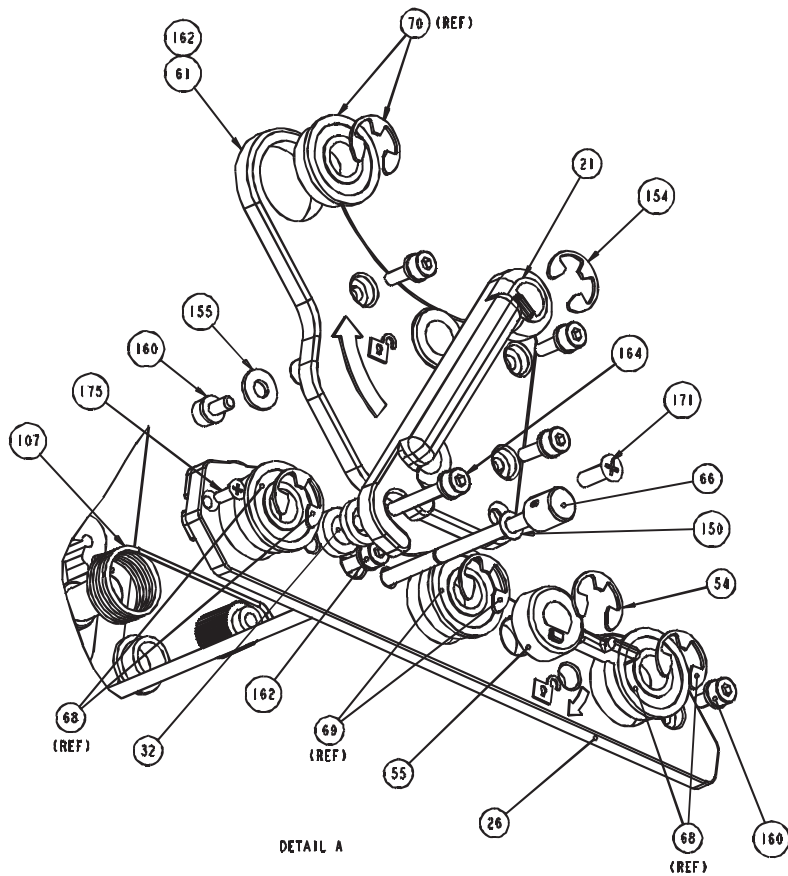
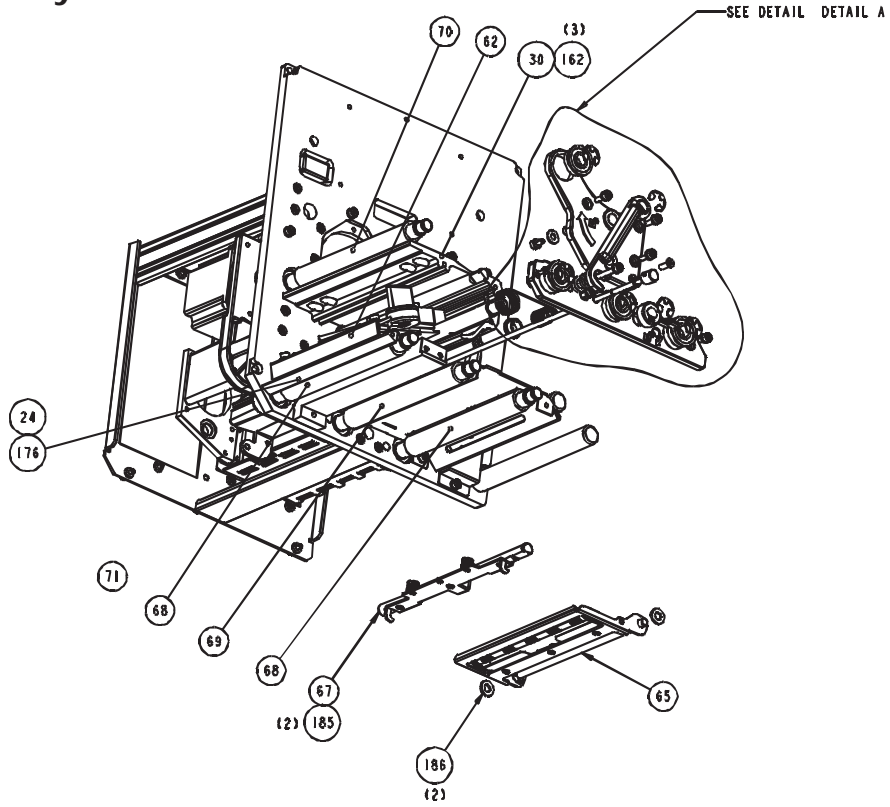


#	Part#	Description	Notes
1	11-5584-01	COVER RIBBON TAKE-UP	
2	11-5585-01	COVER RIBBON SUPPLY	
3	DPO10-3085-02	(25PK) SCREW SOC HD CAP W/ LW M4 X 8	

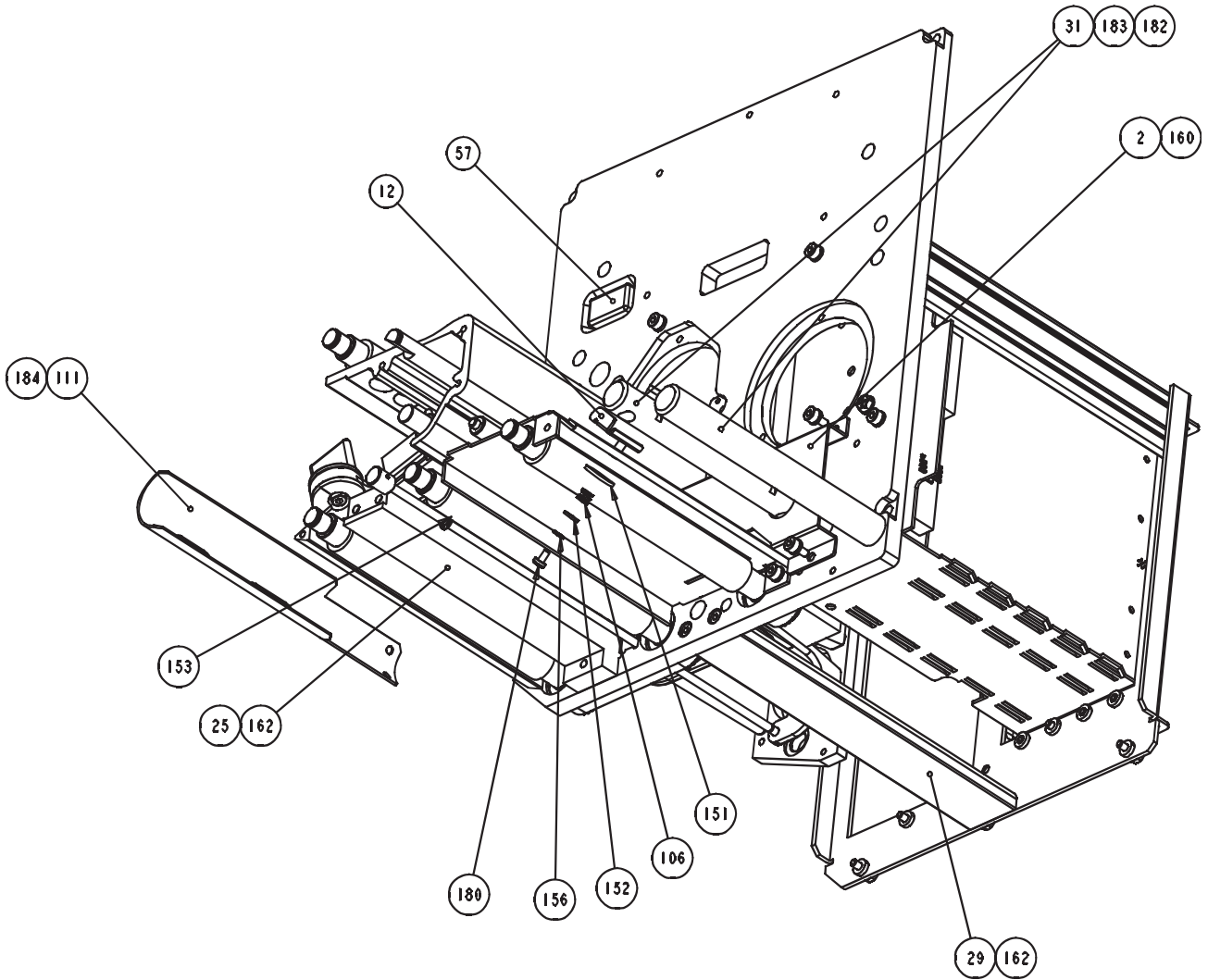
Printer Assembly 1 of 6



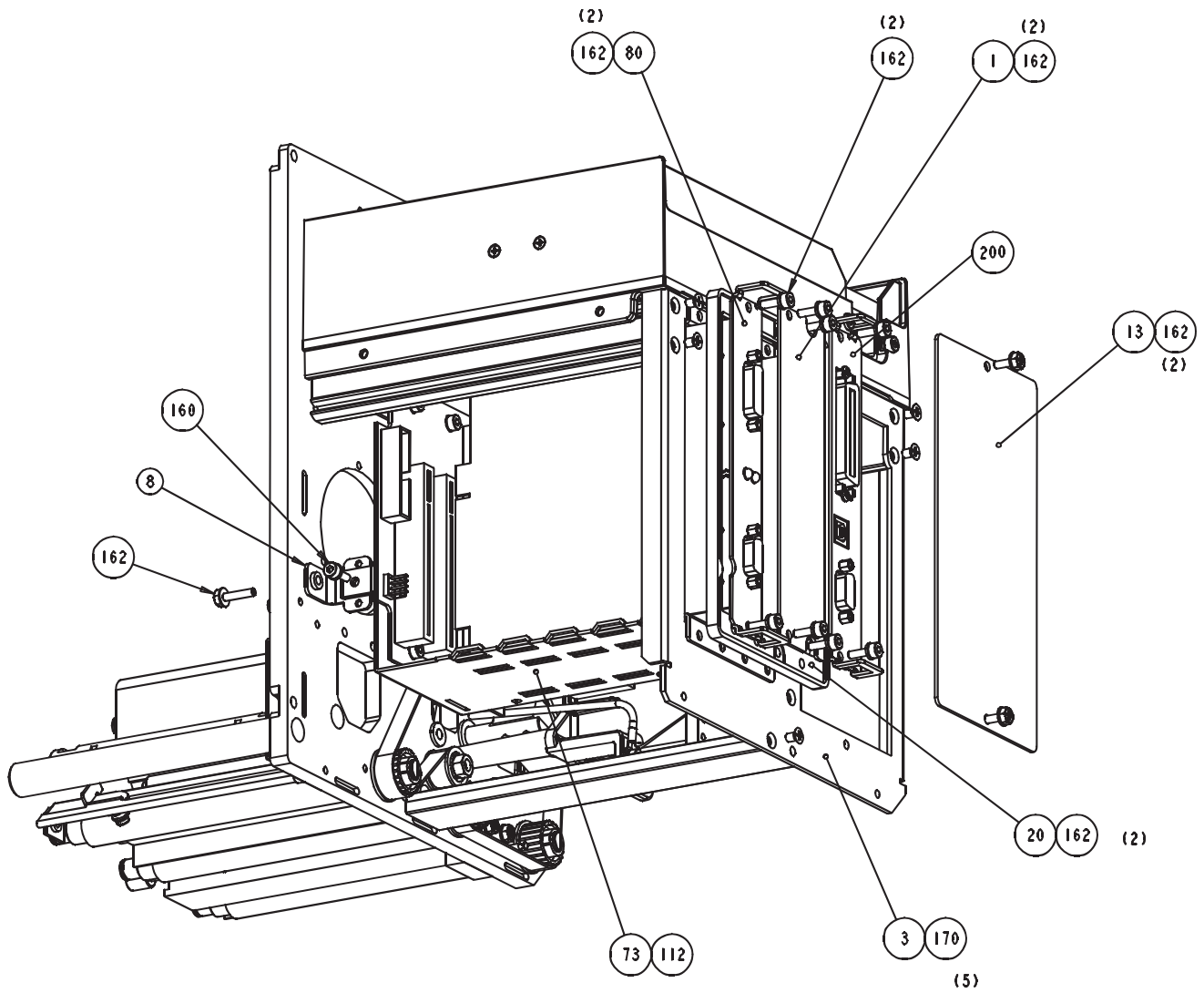
Printer Assembly 2 of 6



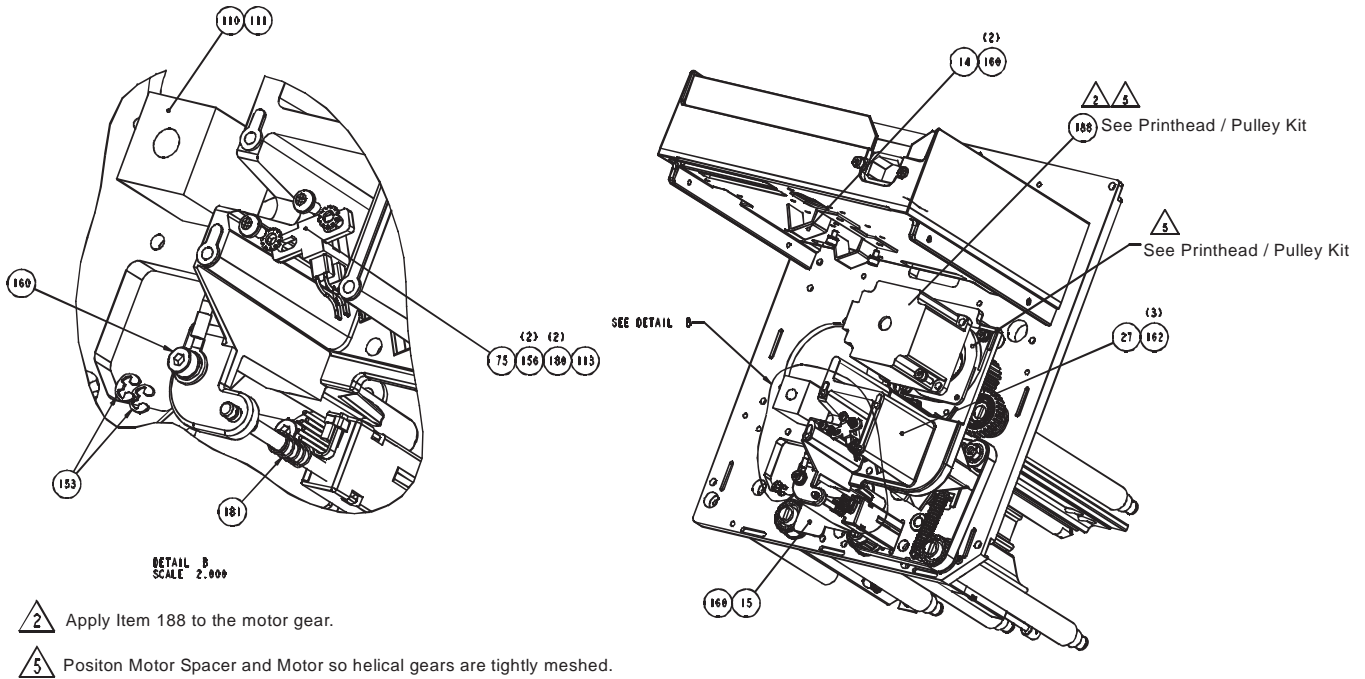
Printer Assembly 3 of 6



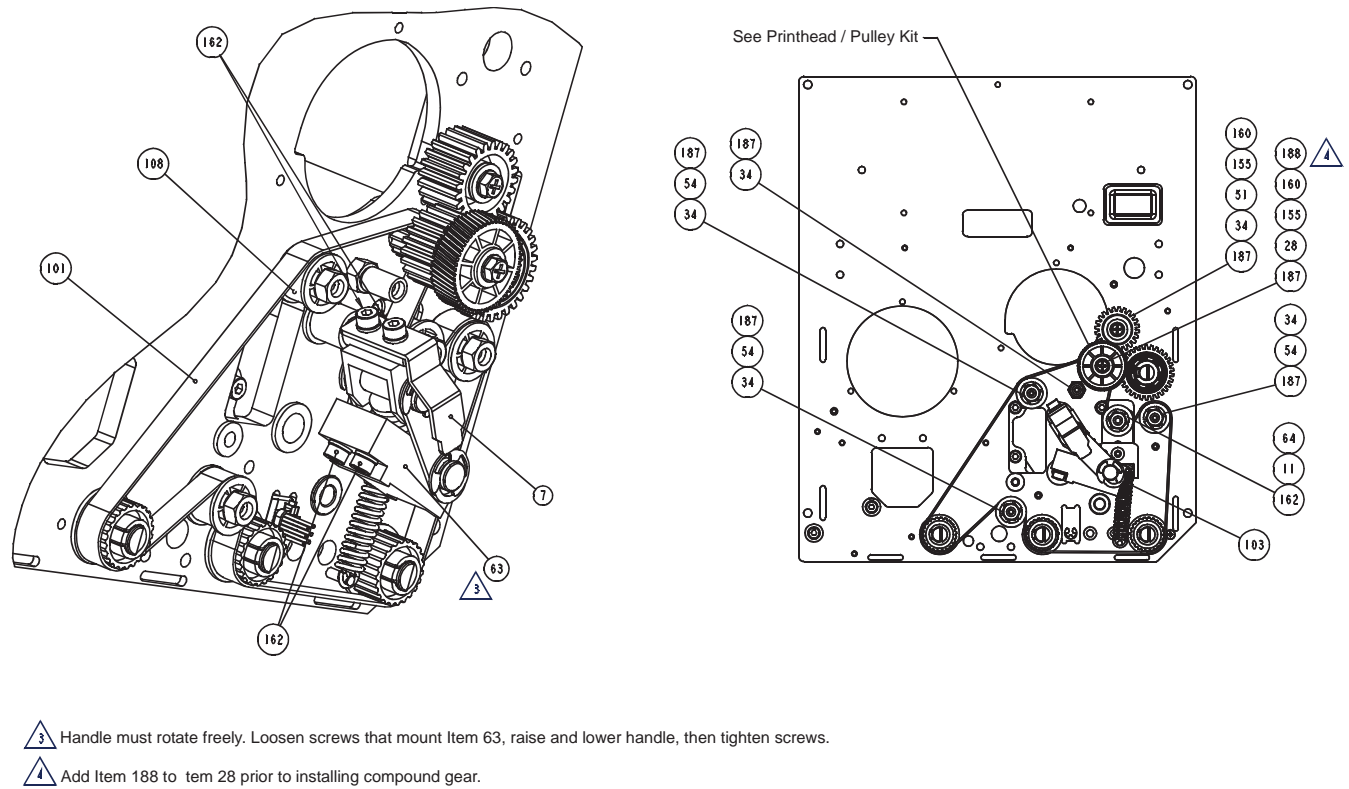
Printer Assembly 4 of 6



Printer Assembly 5 of 6



Printer Assembly 6 of 6



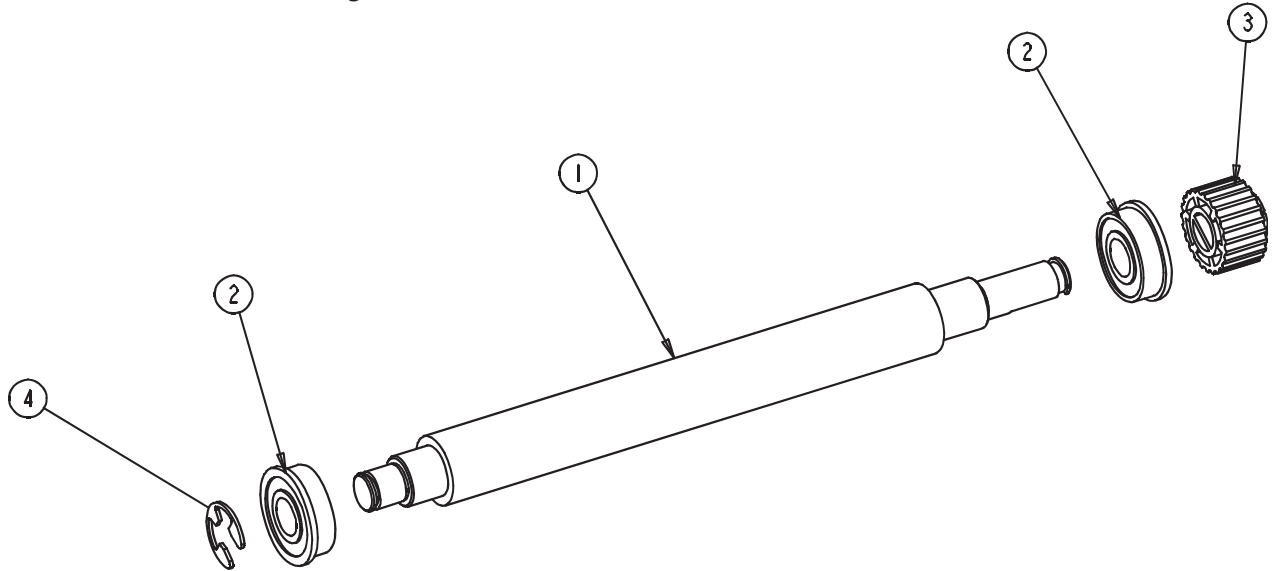
Printer Assemblies 1 - 6

#	Part#	Description	Notes
1	11-5279-01	PLATE COVER EXPANSION	
2	11-5528-02	PLATE GUIDE MEDIA LH	
3	11-5529-04	PLATE REAR LH	
4	11-5530-02	COVER REAR LH	
5	11-5531-01	COVER TOP	
6	11-5532-12	PLATE LOWER 6" LH	
7	11-5556-01	FLAG PH OPEN	
8	11-5577-01	SUPPORT CARD CAGE	
11	11-5570-01	PLATE NUT	
12	11-5536-02	GUIDE MEDIA ADJUSTABLE LH	
13	11-5427-01	PLATE COVER	
14	11-5602-01	BRACKET RETAINER CABLE	
15	11-5603-01	COVER CABLE	
20	12-2958-01	PLATE MOUNTING REAR	
21	12-3255-02	HANDLE LATCH LH	
22	12-3052-03	SHAFT RIBBON IDLER 6"	
23	12-3217-02	SHAFT LATCH PRINTHEAD 6"	
24	12-3488-02	BAR PEEL 6"	
25	12-3244-02	BLOCK SUPPORT PLATEN 6"	
26	12-3214-02	PLATE SIDE LOWER LH 6"	
27	12-3286-02	BRACKET SUPPORT MOTOR LH	
28	12-3432-01	POST IDLER	
29	12-3221-01	BLOCK SUPPORT REAR	
30	12-3215-02	SUPPORT CENTER 6"	
31	12-3254-02	POST MEDIA 6"	
32	12-3282-01	POST LATCH	
33	12-3051-01	CAM IDLER RIBBON	
34	12-3219-01	POST ILDER	
51	16-2935-01	GEAR IDLER	
54	15-3119-01	ASSEMBLY, PULLEY	
55	16-2924-04	HANDLE LATCH LH	
57	16-2950-01	COVER SWITCH - PROTECTIVE	
59	15-3021-12	COVER ASSEMBLY 6" LH	
60	15-3005-02	CENTERPLATE ASSEMBLY LH	
61	15-3015-02	UPPER SIDE PLATE ASSY LH	
62	15-2977-12	ASSY 6" LH PRINTHEAD	
63	15-3186-12	PH PRESS ASSY 6" LH	
64	15-2970-01	TENSION ASSY	
65	15-2974-12	PINCH ROLLER ASSEMBLY 6" LH	
66	15-2976-02	ASSY THREADED ROD 6"	
67	15-2975-02	LATCH ASSEMBLY 6"	
68	15-3019-11	PLATEN ROLLER ASSY 6" MAIN	
69	15-3019-12	PLATEN ROLLER ASSY 6" PEEL	
70	15-3019-13	PLATEN ROLLER ASSY 6" TAKE-UP	
71	DPO24-2604-01	(2PK) MEDIA SENSOR ASSEMBLY	
72	24-2605-01	DISPLAY ASSEMBLY	
73	24-2569-01	CARD CAGE ASSEMBLY A-CLASS 4"	
75	24-2619-01	CABLE ASSY HEAD UP SENSOR	

Printer Assemblies 1 - 6 (continued)

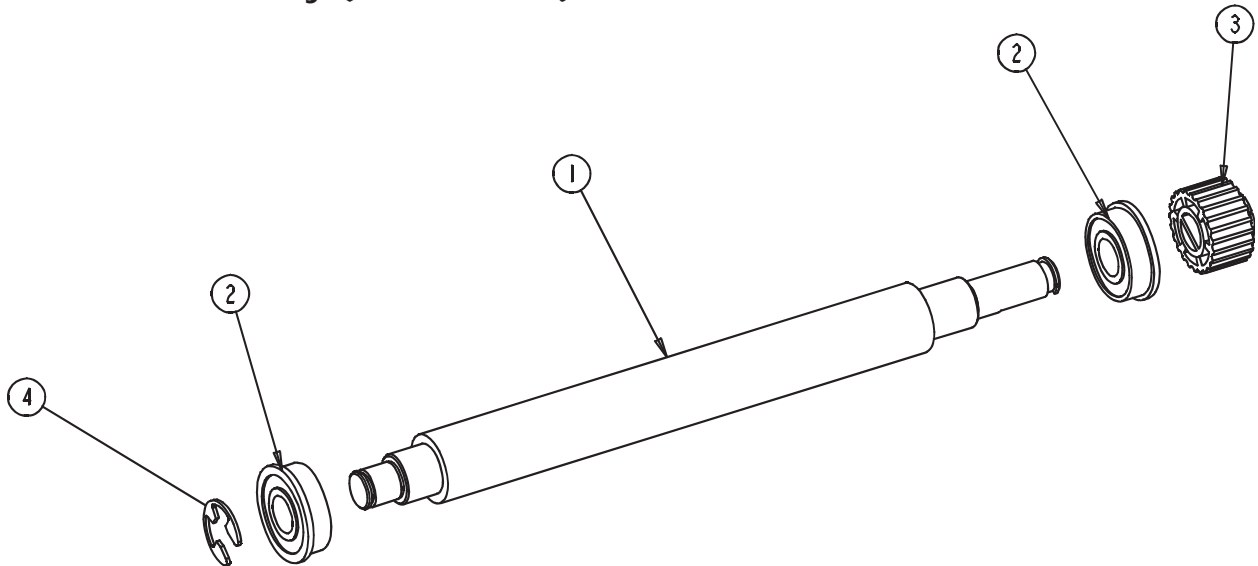
#	Part#	Description	Notes
80	DPO51-2404-10	(1/PK) CCA, Applicator	
82	24-2617-01	POWER SUPPLY ASSEMBLY	
101	17-2987-01	BELT TIMING 184 TEETH 3MM HTD	
103	17-3094-01	SPRING EXTENSION	
105	DPO17-2816-01	(10PK) BUSHING FLANGED.1895 ID .314OD 1/4L	
106	17-3064-01	SPRING COMP .24 ODX.032WD X .375LG	
107	17-3078-02	SPRING TORSION LH 6"	
108	17-3011-01	BUSHING FLANGED FF-520-5	
110	44-2060-01	ASSY FERRITE	
111	--	TYWRAP 8"	
112	--	TIE TWIST LOCK	
113	--	TYWRAP 4"	
150	DPO899325	(50PK) SPACER	
151	DPO899294	(20PK) PLATE - BEARING	
152	DPO10-2518-01	(50PK) WASHER FLAT SS	
153	DPO10-3021-03	(25PK) RING RETAINING 5/32 CRES	
154	DPO10-3021-07	(25PK) E-RING 3/8 TRUARC CRES	
155	DPO10-3018-04	(25PK) WASHER FLAT #8 CRES	
156	DPO10-3093-01	(25PK) WASHER M3 EXT TOOTH LOCK CRES	
160	DPO10-3085-02	(25PK) SCREW SOC HD CAP W/ LW M4 X 8	
162	DPO10-3085-04	(25PK) SCREW SOC HD CAP W/ LW M4 X 12	
164	DPO10-3085-07	(25PK) SCREW SOC HD CAP W/ LW M4 X 25	
170	DPO10-3066-01	(25PK) SCREW FLAT HEAD SS M4 X 6	
171	DPO10-3066-04	(25PK) SCREW FLAT HEAD SS M4 X 12	
175	DPO10-3088-04	(25PK) SCREW FLATHEAD CRES M3 X 12	
176	DPO10-3088-05	(25PK) SCREW FLATHEAD CRES M3 X 14	
180	DPO10-3092-01	(25PK) SCREW PHP M3 X 6MM CRES	
181	17-3046-01	SPRING COMPRESSION	
182	DPO10-3096-03	(50PK) WASHER SPLIT LOCK M5 CRES	
183	DPO10-3097-01	(20PK) SCREW SOCKET HD SET M5 X 12 CRES	
184	13-2422-02	RETAINER PRINT HD CABLE 6"	
185	17-3065-01	SPRING COMP .36 ODX.035 WD X .75LG	
186	DPO10-2630-01	(50PK) WASH FLT NYLON .250 ID .500 OD	
187	DPO10-3085-14	(25PK) SCREW SHC W/ LK COMP M4 X 12	
188	--	GREASE SILCONE	
200	DPO51-2342-05	Main Board, A-6212, 4MB	
	DPO51-2342-15	Main Board, A-6212, 8MB	
	DPO51-2342-06	Main Board, A-6310, 4MB	
	DPO51-2342-16	Main Board, A-6310, 8MB	

Platen Roller Assembly (15-3019-11)



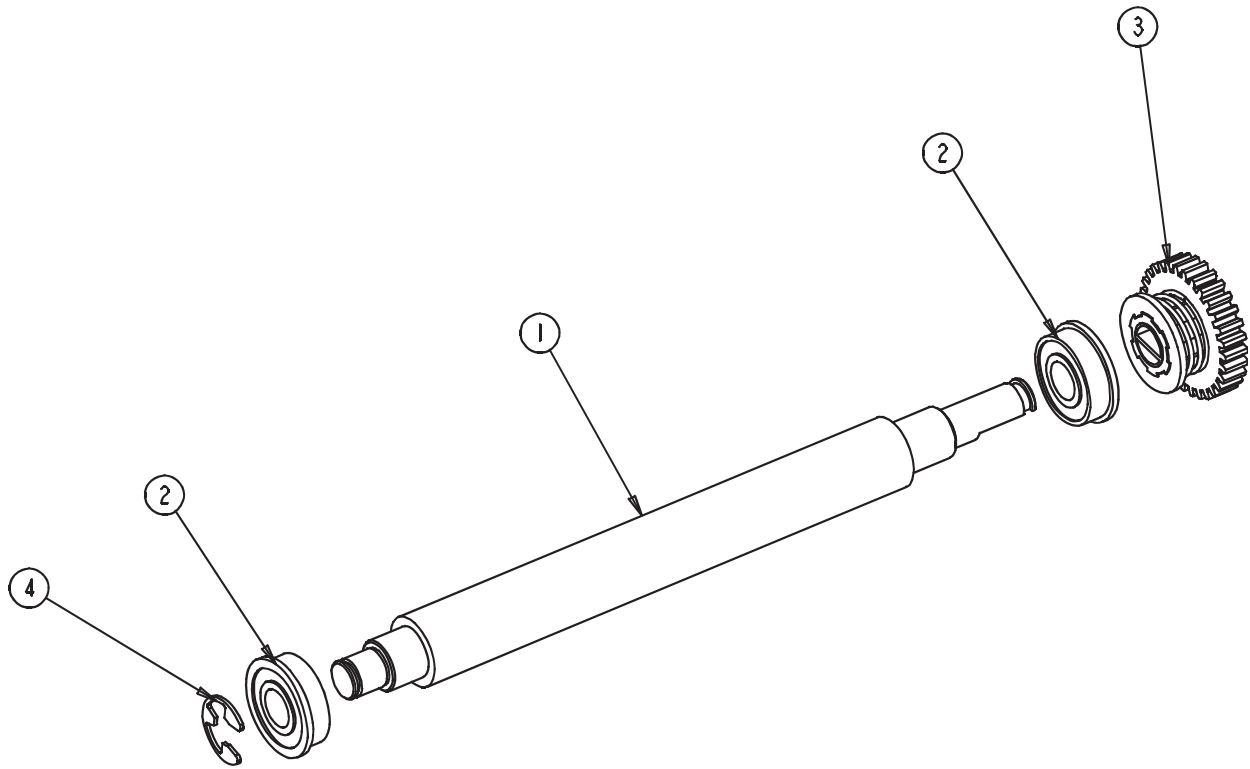
#	Part#	Description	Notes
1	13-2405-02	ROLLER PLATEN 6"	
2	17-3028-01	BEARING FLANGED 440C 3/8 X 7/8	
3	16-2903-01	PULLEY (WHITE) TIMING 23 TEETH	
4	DPO10-3021-07	(25PK) E-RING 3/8 TRUARC CRES	

Peel Roller Assembly (15-3019-12)



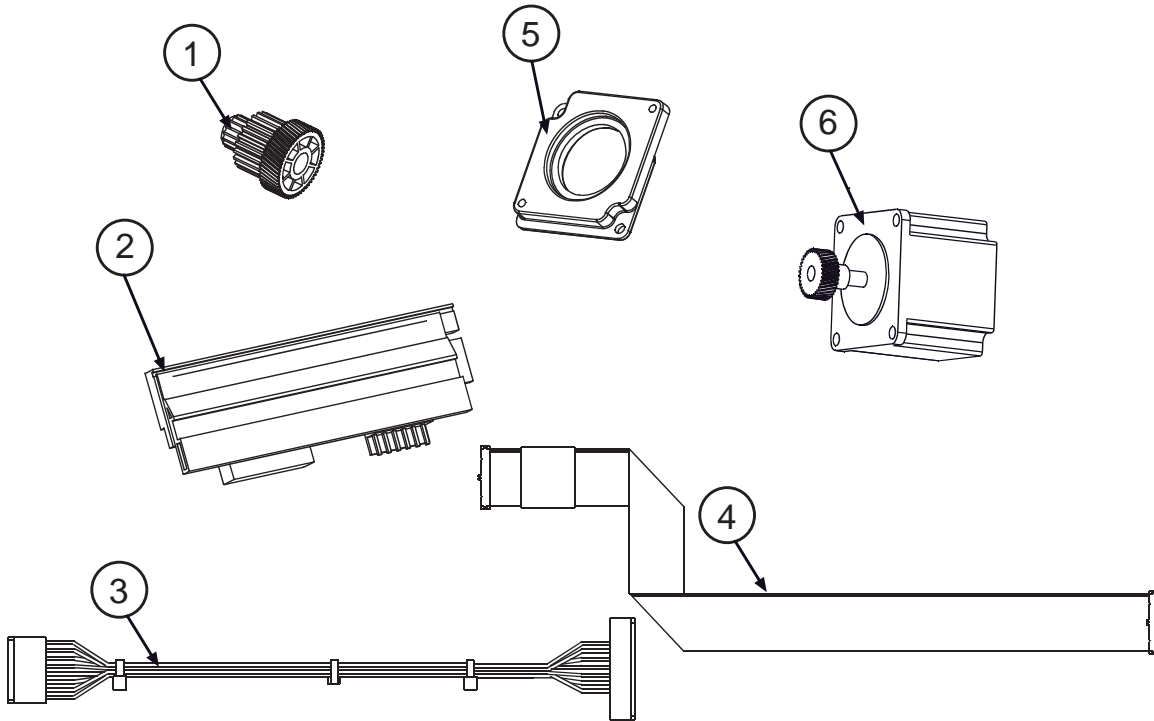
#	Part#	Description	Notes
1	13-2405-02	ROLLER PLATEN 6"	
2	17-3028-01	BEARING FLANGED 440C 3/8 X 7/8	
3	16-2904-01	PULLEY (BLACK) TIMING 22 TEETH	
4	DPO10-3021-07	(25PK) E-RING 3/8 TRUARC CRES	

Take-up Roller Assembly (15-3019-13)



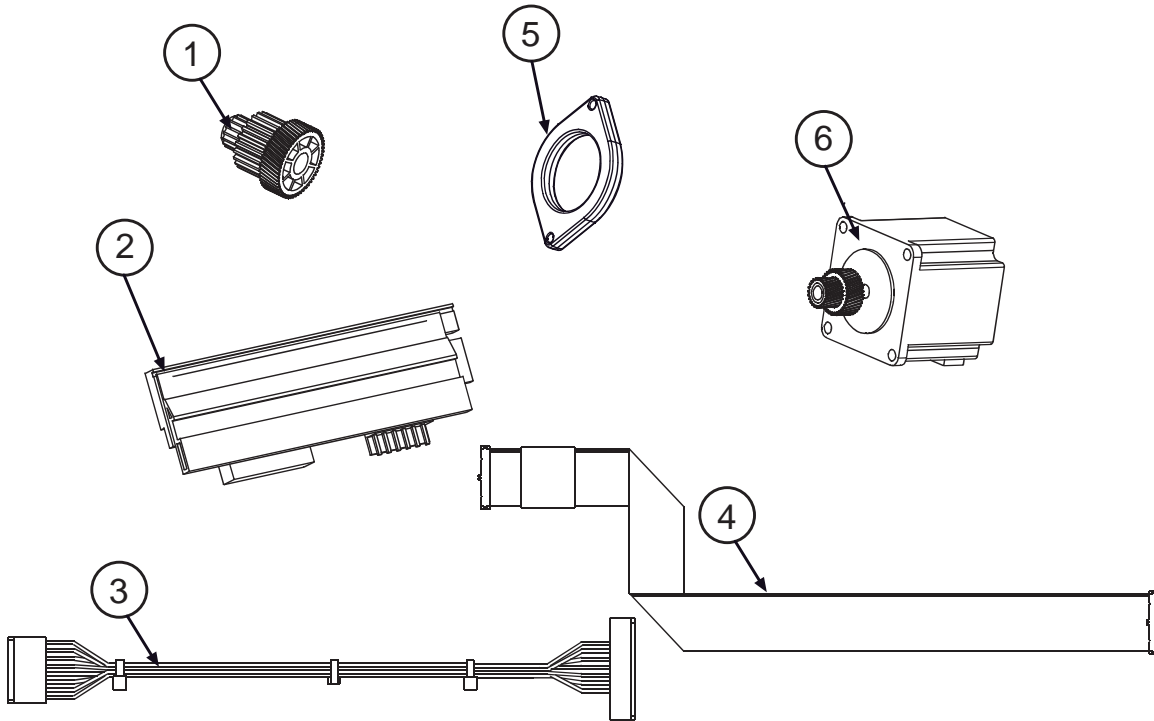
#	Part#	Description	Notes
1	13-2405-02	ROLLER PLATEN 6"	
2	17-3028-01	BEARING FLANGED 440C 3/8 X 7/8	
3	15-3020-01	CLUTCH RIBBON TAKE-UP	
4	DPO10-3021-07	(25PK) E-RING 3/8 TRUARC CRES	

Printhead / Pulley Kit, 203DPI



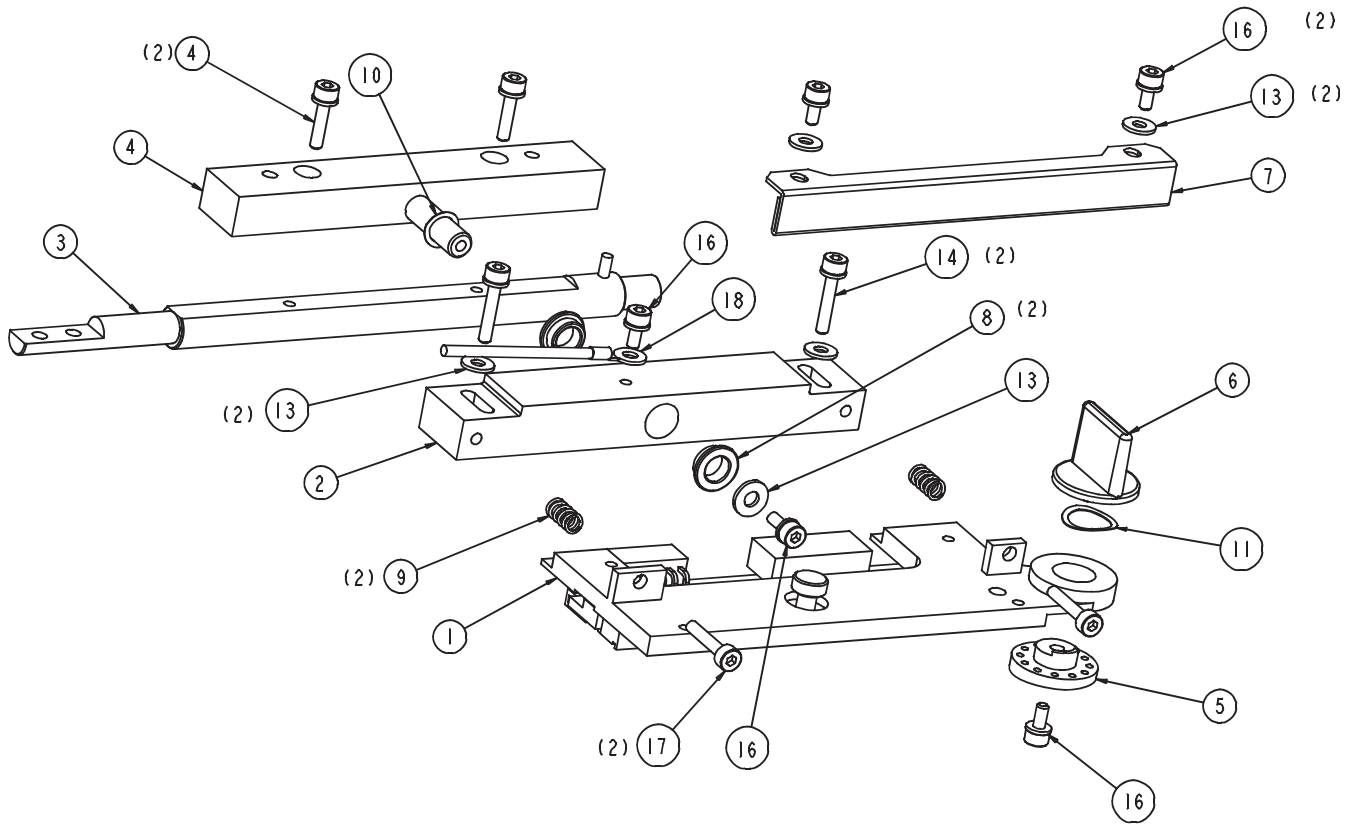
#	Part#	Description	Notes
1	15-3117-01	PULLEY COMPOUND 203DPI	
2	PHD20-2164-01	PRINthead 203DPI, 6"	
3	32-2535-01	CABLE ASSY PRINthead DATA 6" 203	
4	32-2534-02	CABLE ASSY 6" PRINthead PWR	
5	12-3384-02	SPACER MOTOR MOUNTING LH	
6	24-2543-03	STEPPER MOTOR ASSEMBLY	

Printhead / Pulley Kit, 300DPI



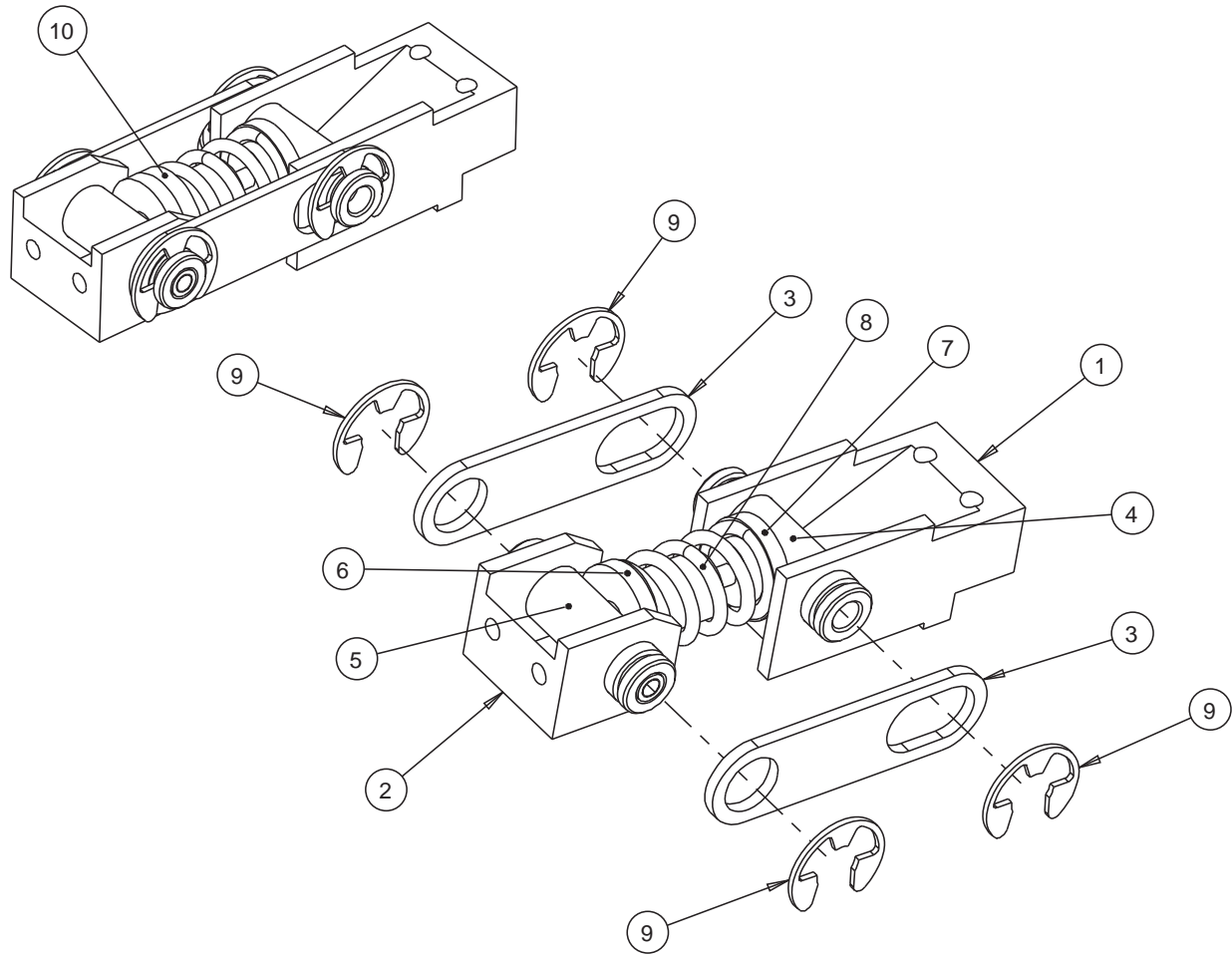
#	Part#	Description	Notes
1	15-3118-01	GEAR COMPOUND 300DPI	
2	PHD20-2195-01	PRINTHEAD 300 DPI, 6"	
3	32-2534-02	CABLE ASSY 6" PRINTHEAD PWR	
4	32-2536-01	CABLE ASSY PRINTHEAD DATA 6" 300	
5	12-3370-01	SPACER MOTOR MOUNTING	
6	24-2543-02	STEPPER MOTOR ASSEMBLY	

Printhead Assembly (15-2977-12)



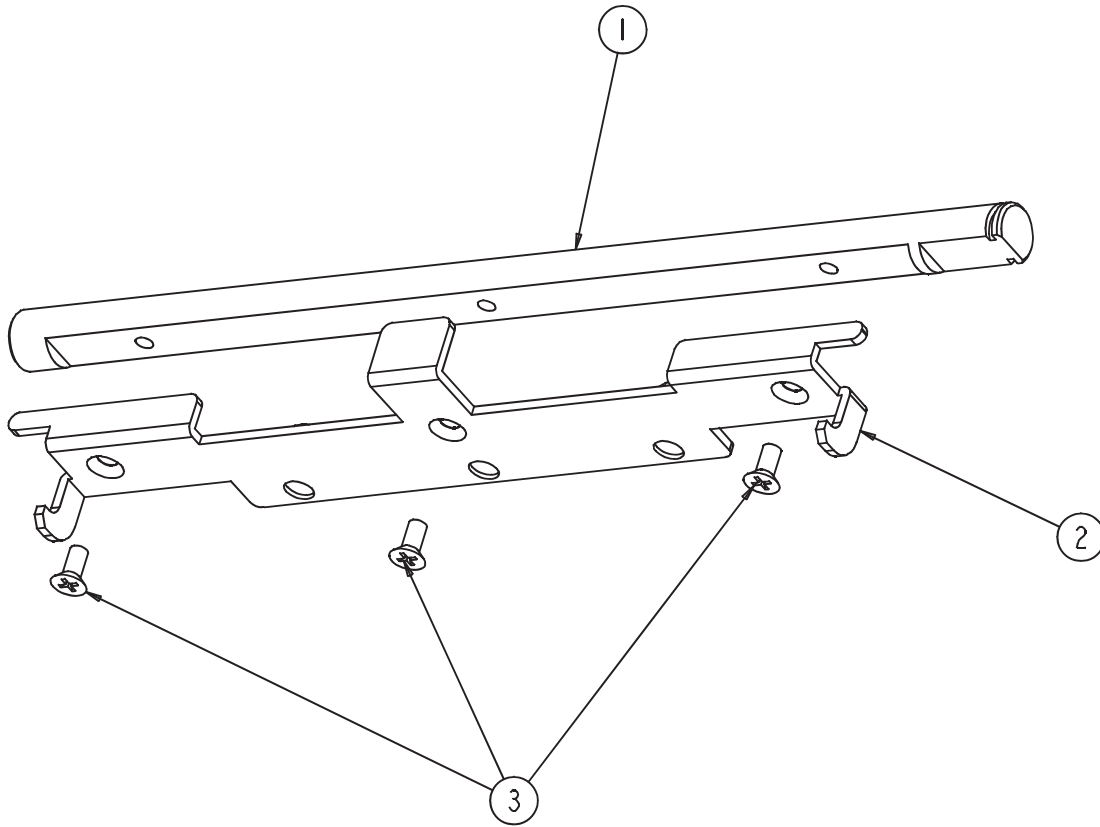
#	Part#	Description	Notes
1	15-3105-01	ASSY, 6" LH PRINthead MOUNT	
2	12-3267-02	PIVOT 6" PRINthead	
3	12-3233-02	SHAFT PRINthead MOUNT	
4	12-3266-01	PLATE PRINthead ADAPTER	
5	DPO16-2906-01	(2PK) CAM NARROW MEDIA	
6	16-2907-01	KNOB NARROW MEDIA	
7	11-5552-02	SHIELD RIBBON 6"	
8	DPO899349	(10PK) BEARING - FLANGED .312	
9	17-3075-01	SPRING COMP .30 OD X .045WD X .56LG	
10	DPO10-3084-01	(10PK) WASHER WAVE .312 ID CRES	
11	DPO10-3084-02	(10PK) WASHER WAVE .505 ID CRES	
13	DPO10-3018-04	(25PK) WASHER FLAT #8 CRES	
14	DPO10-3085-06	(25PK) SCREW SOC HD CAP W/ LW M4 X 20	
16	DPO10-3085-02	(25PK) SCREW SOC HD CAP W/ LW M4 X 8	
17	DPO10-3015-43	(10PK) SCREW SHC M4X20 CRES W/LKG COMP	
18	32-2528-01	GROUND STRAP	

Printhead Pressure Assembly (15-3186-12)



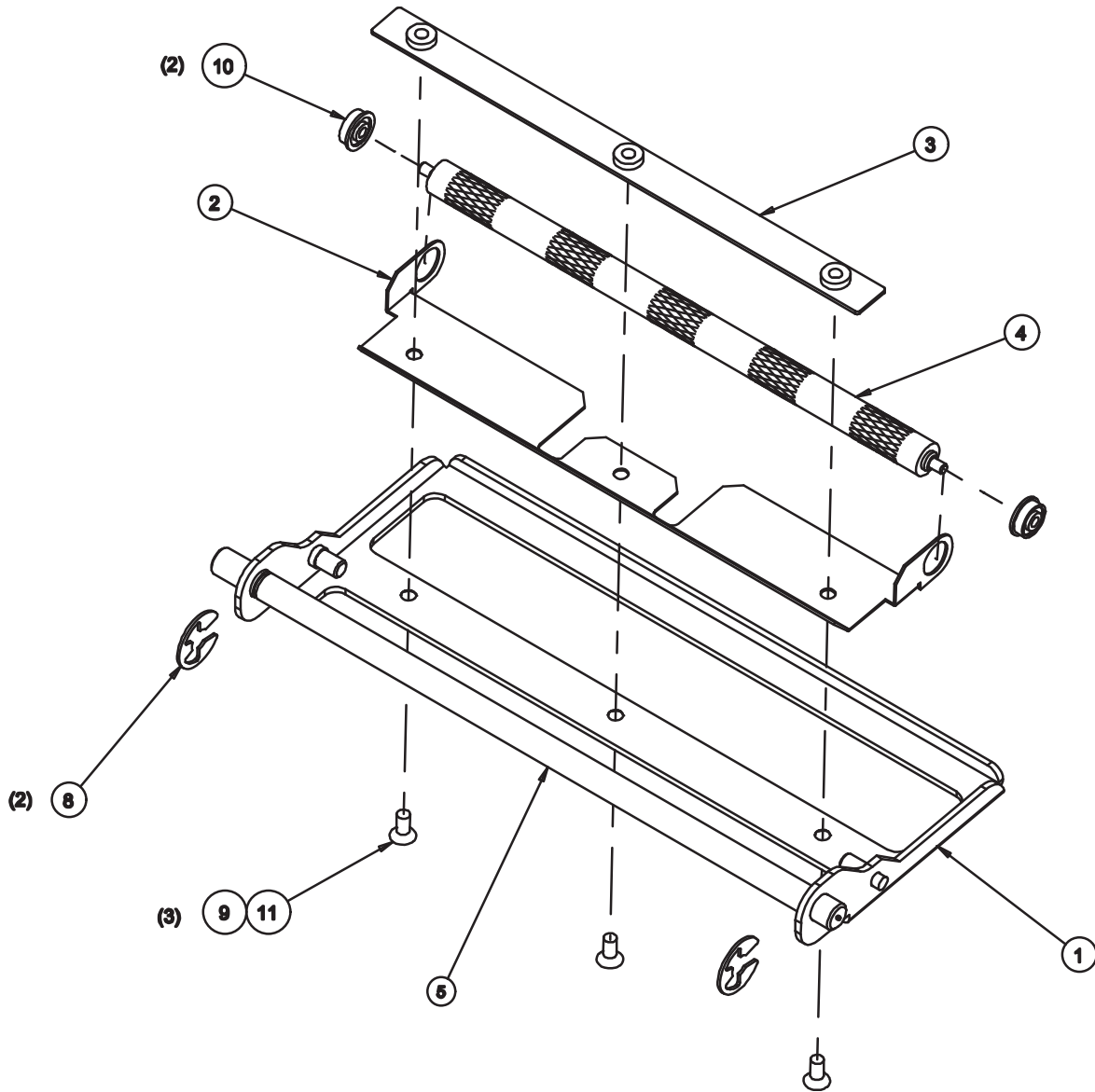
#	Part#	Description	Notes
1	12-3229-01	BRACKET, PRESSURE, LOWER	
2	12-3485-01	BRACKET, PRESSURE UPPER	
3	11-5537-01	RETAINER, PRINTHEAD PRESSURE	
4	12-3486-01	SHAFT, PRINTHEAD PRESSURE	
5	15-3187-01	ASSY, PIVOT PIN	
6	12-3353-01	SLIDE UPPER	
7	12-3354-01	SLIDE, LOWER	
8	17-3160-01	SPRING, COMPRESSION	
9	DPO10-3021-07	(25PK) E-RING 3/8 TRUARC CRES	
10	16-3005-01	SPACER, PH PRESSURE	

Latch Assembly 6" (15-2975-02)



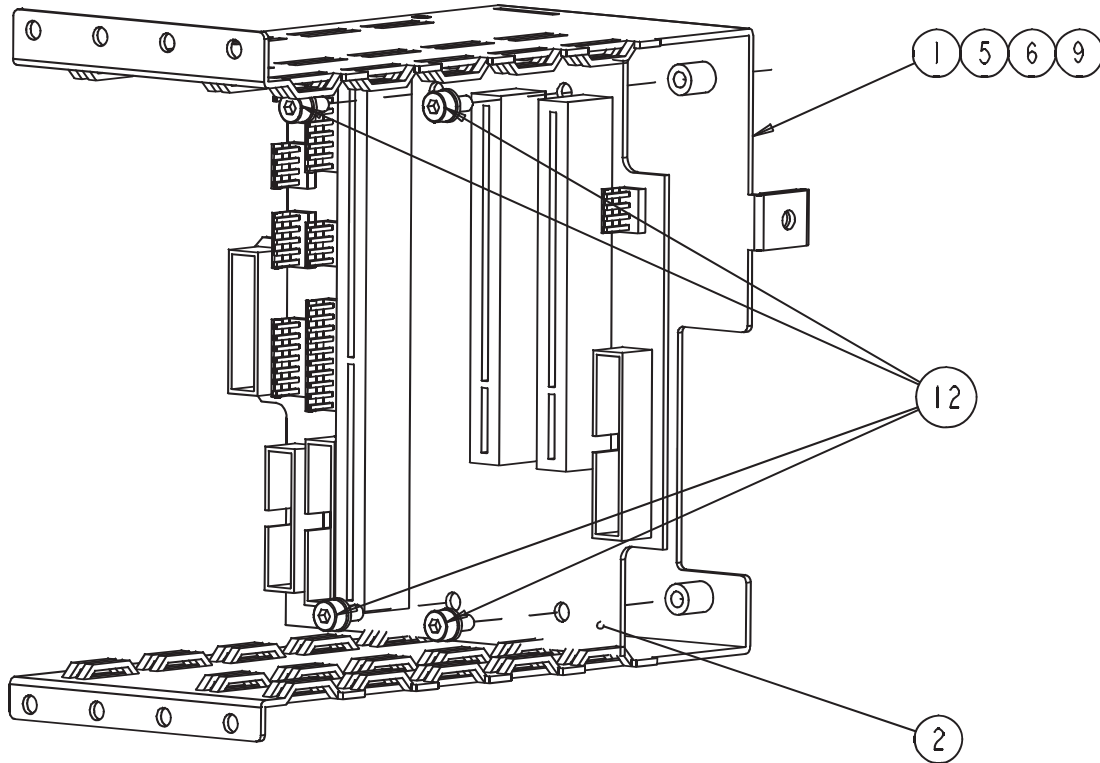
#	Part#	Description	Notes
1	11-5578-02	LATCH 6"	
2	12-3280-02	SHAFT LATCH PIVOT	
3	DPO10-3088-01	(25PK) SCREW FLATHEAD CRES M3 X 6	

Peel Assembly (15-2974-12)



#	Part#	Description	Notes
1	15-3183-02	ASSY 6" PINCH ROLLER FRAME	
2	11-5256-02	SPRING FLAT	
3	11-5599-02	SCREW PLATE 6"	
4	12-3295-02	ROLLER PINCH 6"	
5	12-2574-02	HINGE SHAFT 6"	
8	DPO10-3021-05	(20PK) E-RING 1/4 TRUARC CRES	
9	DPO10-3088-07	(25PK) SCREW FLATHEAD CRES M3 X 5	
10	17-2856-01	BEARING BALL FL .0937 X .3125	
11	--	LOCTITE 242	

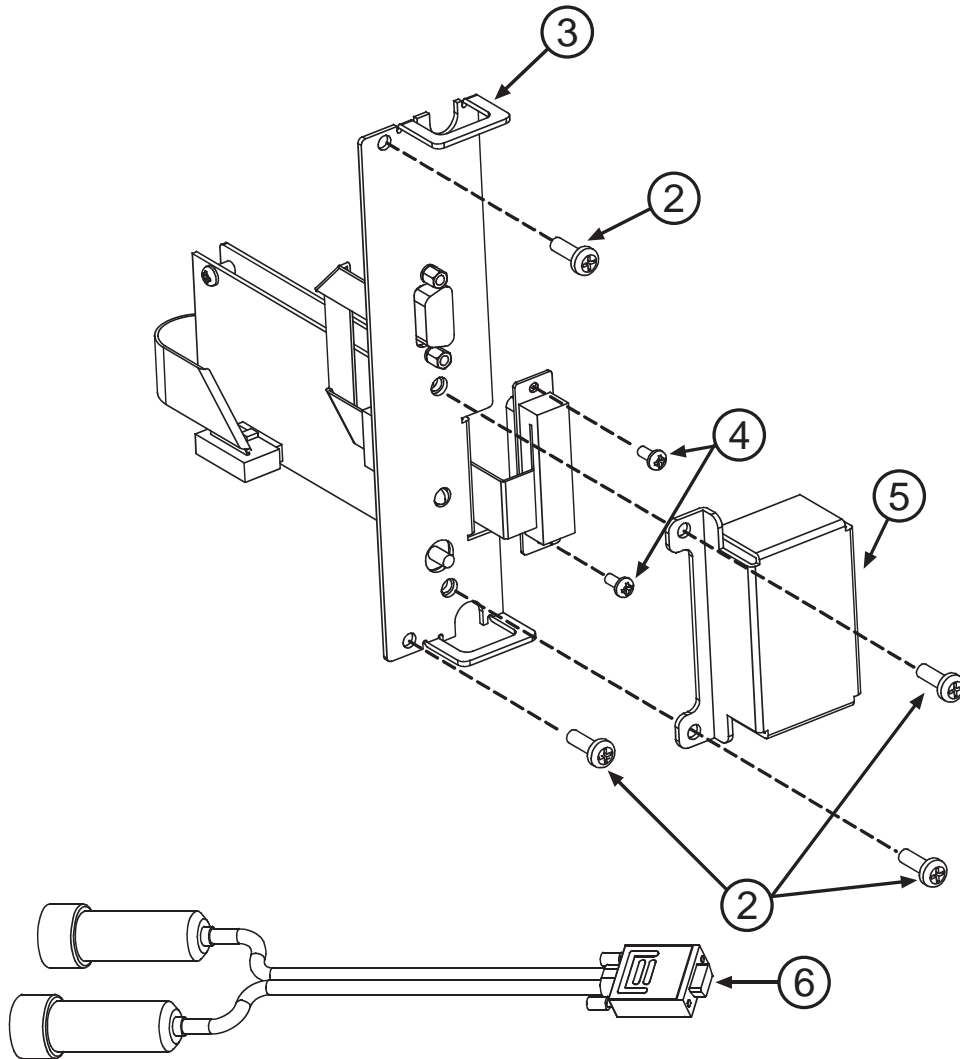
Card Cage Assembly (24-2569-01)



#	Part#	Description	Notes
1	11-5253-02	CARD CAGE	
2	51-2353-00	CCA BACKPLANE A-CLASS	
5	32-2530-01	CABLE ASSY BACK PLANE PWR (not shown)	
6	32-2531-01	CABLE ASSY MOTOR CONTROL (not shown)	
9	32-2540-01	CABLE ASSEMBLY GRAPHICS DISPLAY (not shown)	
12	DPO10-3085-04	(25PK) SCREW SOC HD CAP W/ LW M4 X 12	

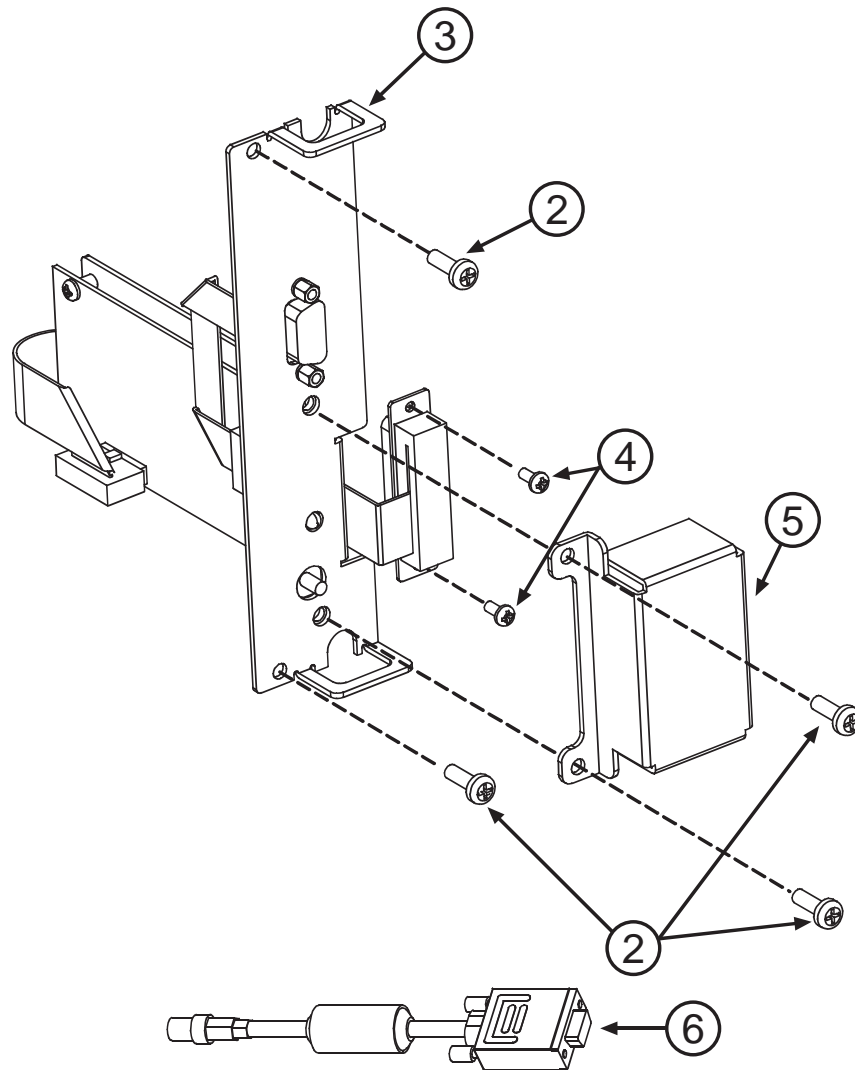
A-Class Options

Twinax Interface (78-2305-21)



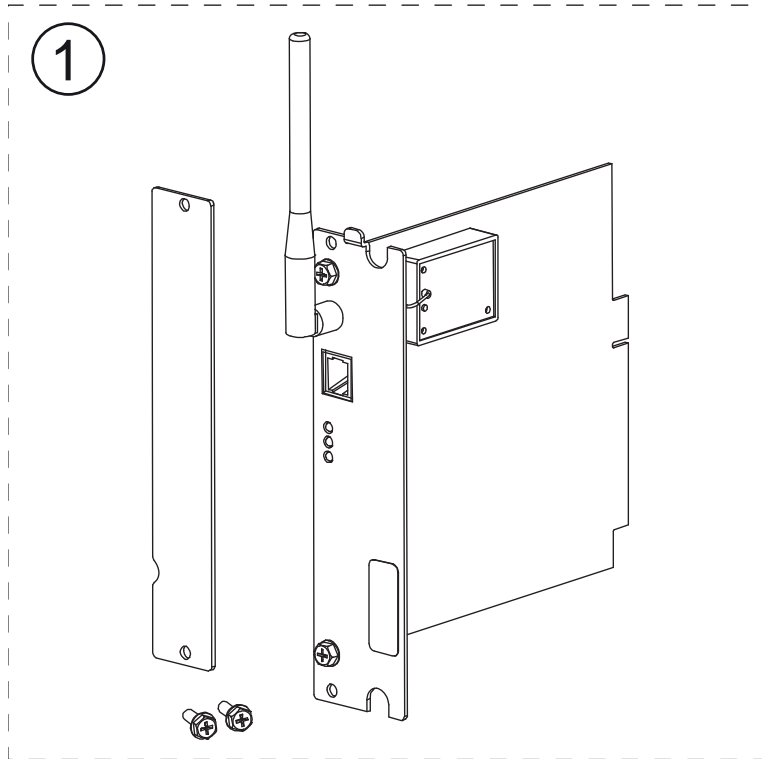
#	Part#	Description	Notes
2	DPO10-2903-04	(50PK) SCREW, M4 X 12 PHILLIPS HEAD	
3	--	CCA, TWINAX/COAX	
4	DPO10-2520-01	(50PK) SCREW, 4-40 X 2.5	
5	11-5632-01	BRACKET, COVER CONNECTOR	
6	32-2328-01	CABLE ASSEMBLY, TWINAX INTERFACE	

Coax Interface (78-2305-22)



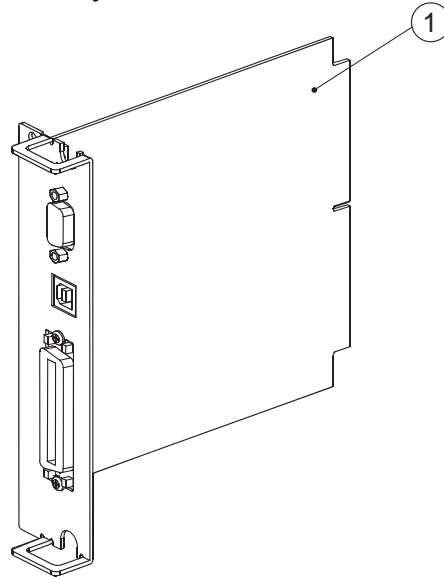
#	Part#	Description	Notes
2	DPO10-2903-04	(50PK) SCREW, M4 X 12 PHILLIPS HEAD	
3	--	CCA, TWINAX/COAX	
4	DPO10-2520-01	(50PK) SCREW, 4-40 X 2.5	
5	11-5632-01	BRACKET, COVER CONNECTOR	
6	32-2327-01	CABLE ASSEMBLY, COAX INTERFACE	

Ethernet Interfaces



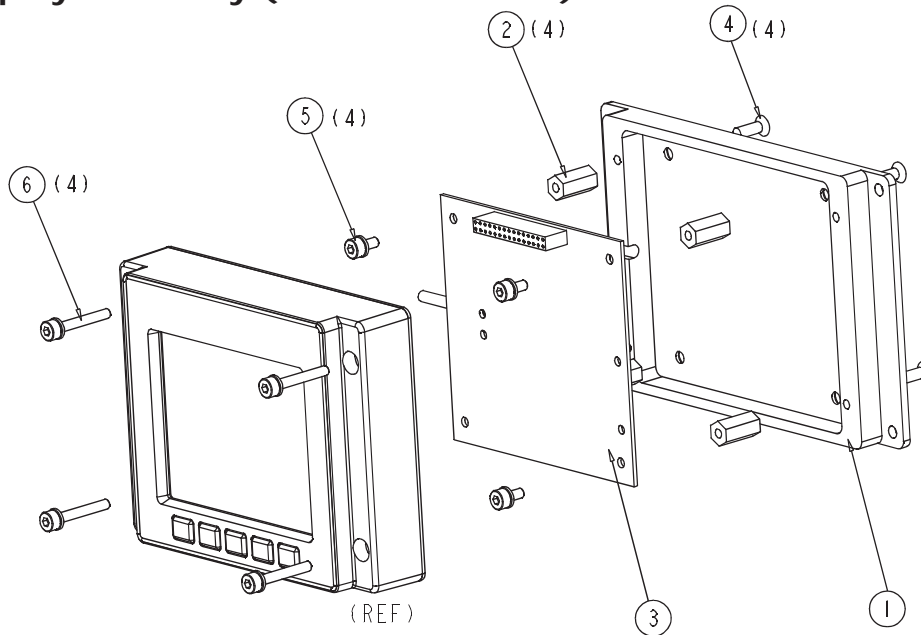
#	Part#	Description	Notes
1	OPT78-2657-01	DMXNet II Ethernet Interface Kit	
	OPT78-2657-12	DMXrfNet II 802.11b/g Wired/Wireless Kit	
	DPO17-3104-02	Antenna R. Duck RP/SMA	

Main Logic Board (78-2476-02)



#	Part#	Description	Notes
1	78-2476-02	CARD, MAIN LOGIC	

Remote Display Assembly (DPO78-2516-02)

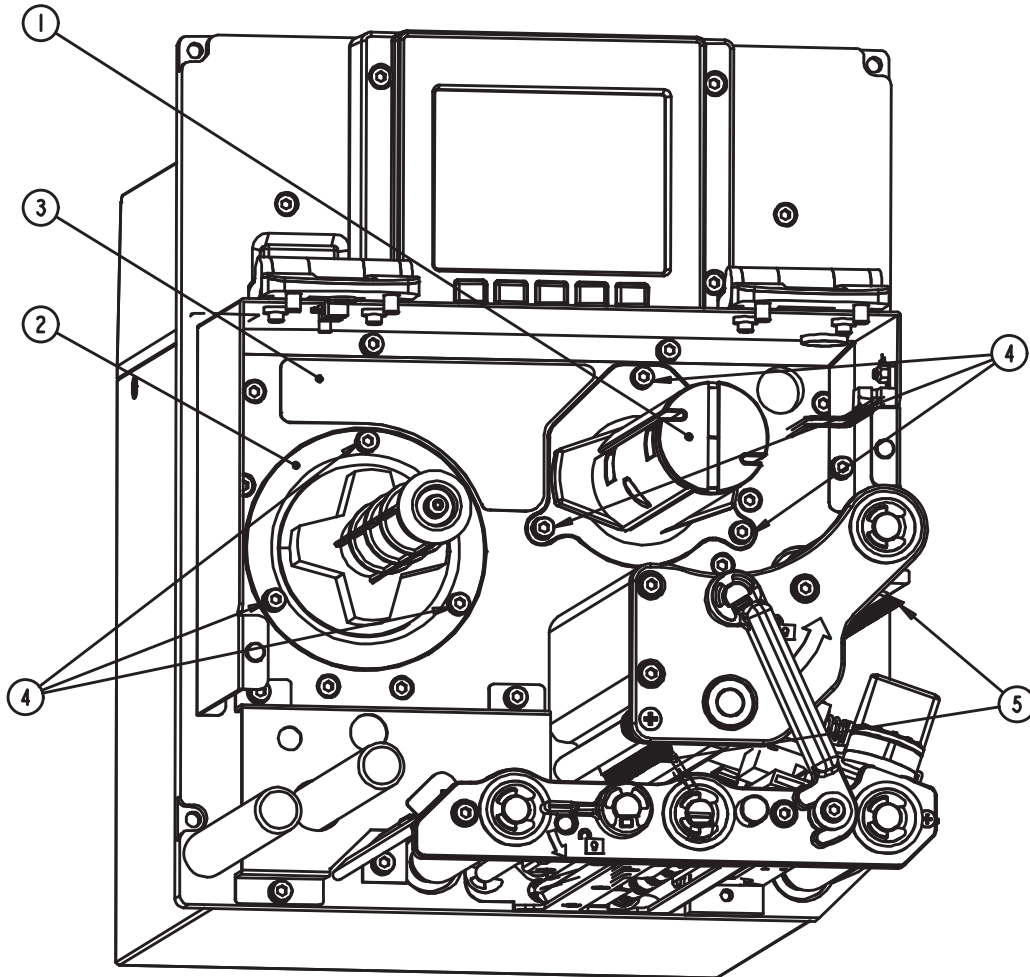


#	Part#	Description	Notes
1	12-3297-01	MOUNT REMOTE DISPLAY	
2	12-3298-01	STANDOFF M4 THD X 16MM	
3	51-2373-00	CCA REMOTE LCD INTERFACE A-CLASS	
4	DPO10-3066-01	(25PK) SCREW FLAT HEAD SS M4 X 6	
5	DPO10-3085-02	(25PK) SCREW SOC HD CAP W/ LW M4 X 8	
6	DPO10-3085-07	(25PK) SCREW SOC HD CAP W/ LW M4 X 25	

Thermal Transfer Option Assembly – Bi-Directional

Four-Inch Models: (78-2448-41 Right Hand & 78-2448-43 Left Hand)

Six Inch Models: (78-2448-42 Right Hand & 78-2448-44 Left Hand)

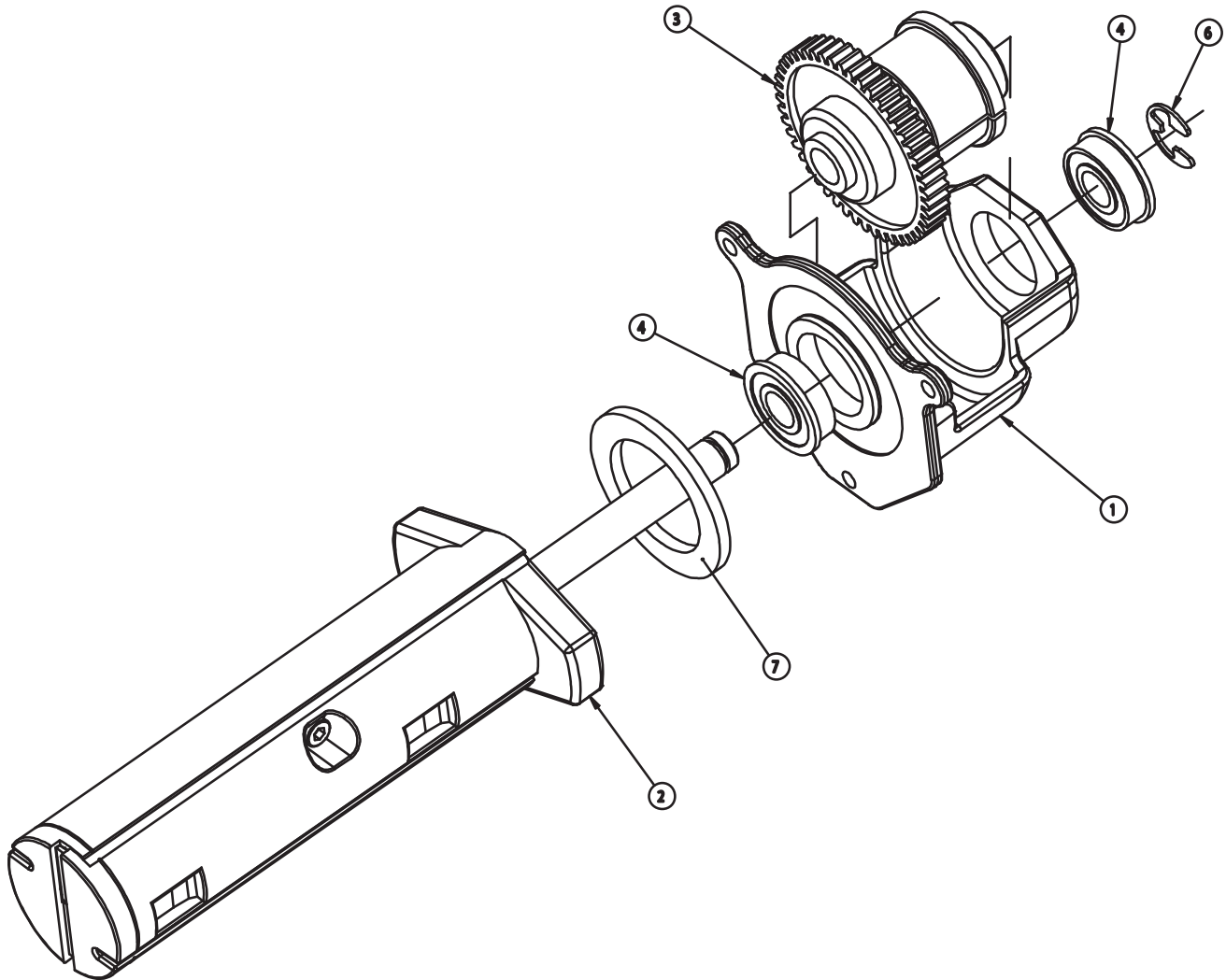


#	Part#	Description	Notes
1	15-3007-01	RIBBON TAKE-UP ASSY, 4", RH	
	15-3007-11	RIBBON TAKE-UP ASSY, 4", LH	
	15-3007-02	RIBBON TAKE-UP ASSY, 6", RH	
	15-3007-12	RIBBON TAKE-UP ASSY, 6", LH	
2	15-2979-21	ASSY, HUB, RIB SUPPLY, 4",	
	15-2979-22	ASSY, HUB, RIB SUPPLY, 6",	
3	14-2807-05	LABEL, LOADING, RH	
4	DPO10-3085-02	(25PK) SCREW, SH CAP W/ LW, M4 X 8	
5	17-2715-01	BRUSH-STATIC 6.5"	
	17-2716-01	BRUSH-STATIC 9.0"	

Ribbon Take-up Assembly

Four-Inch Models: (15-3007-01 Right Hand & 15-3007-11 Left Hand)

Six Inch Models: (15-3007-02 Right Hand & 15-3007-12 Left Hand)

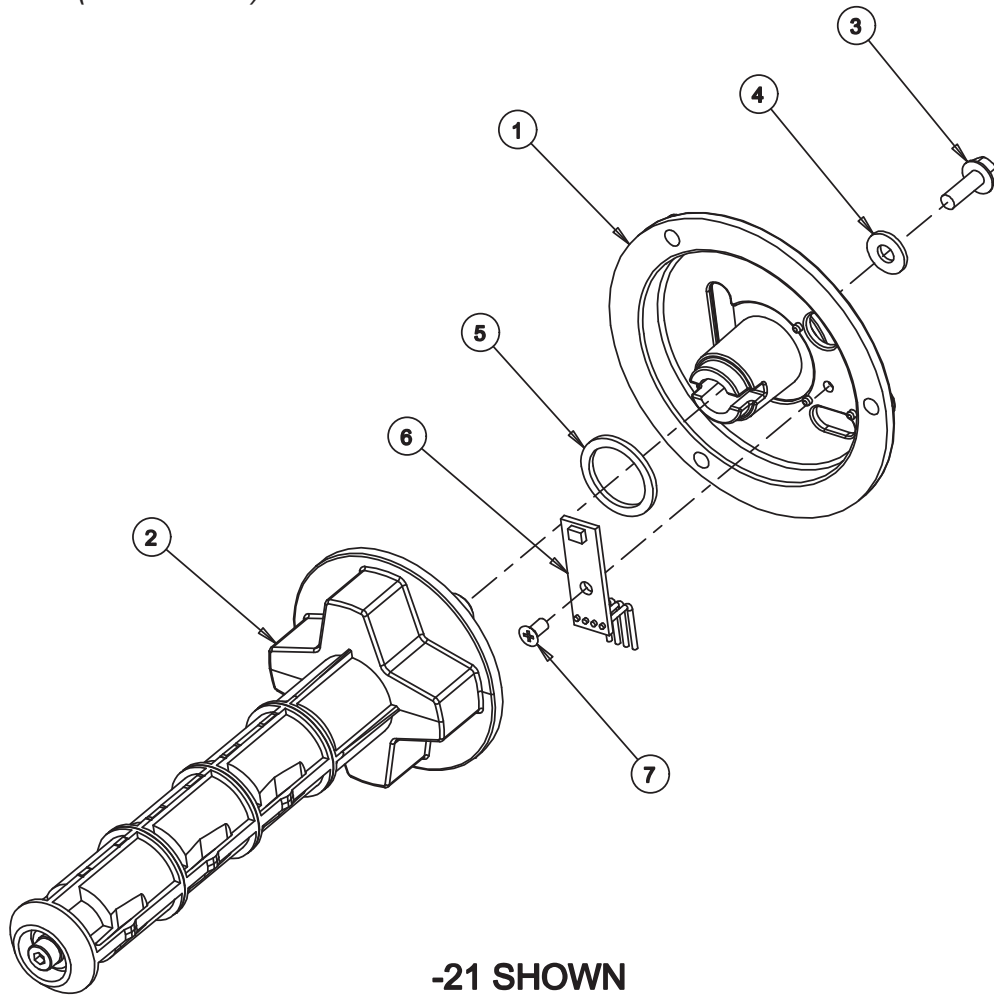


#	Part#	Description	Notes
1	12-3225-01	HOUSING, RIBBON SPOOL	
2	15-2978-01	HUB ASSEMBLY, TAKE-UP, 4"	
	15-2978-02	HUB ASSEMBLY, TAKE-UP, 6"	
3	DPR15-2776-21	(2/PK) CLUTCH ASSEMBLY, RIBBON REWIND	
	15-2776-22	CLUTCH ASSY, RIBBON, LH 4" & 6"	
4	17-3028-01	BEARING, FLANGED, 440C, 3/8X7/8	
6	DPO10-3021-07	(25PK) E-RING 3/8 TRUARC CRES	
7	13-2409-01	DISK, FRICTION .125 THICK	

Ribbon Supply Hub Assembly

Four-Inch Models: (15-2979-21)

Six Inch Models: (15-2979-22)



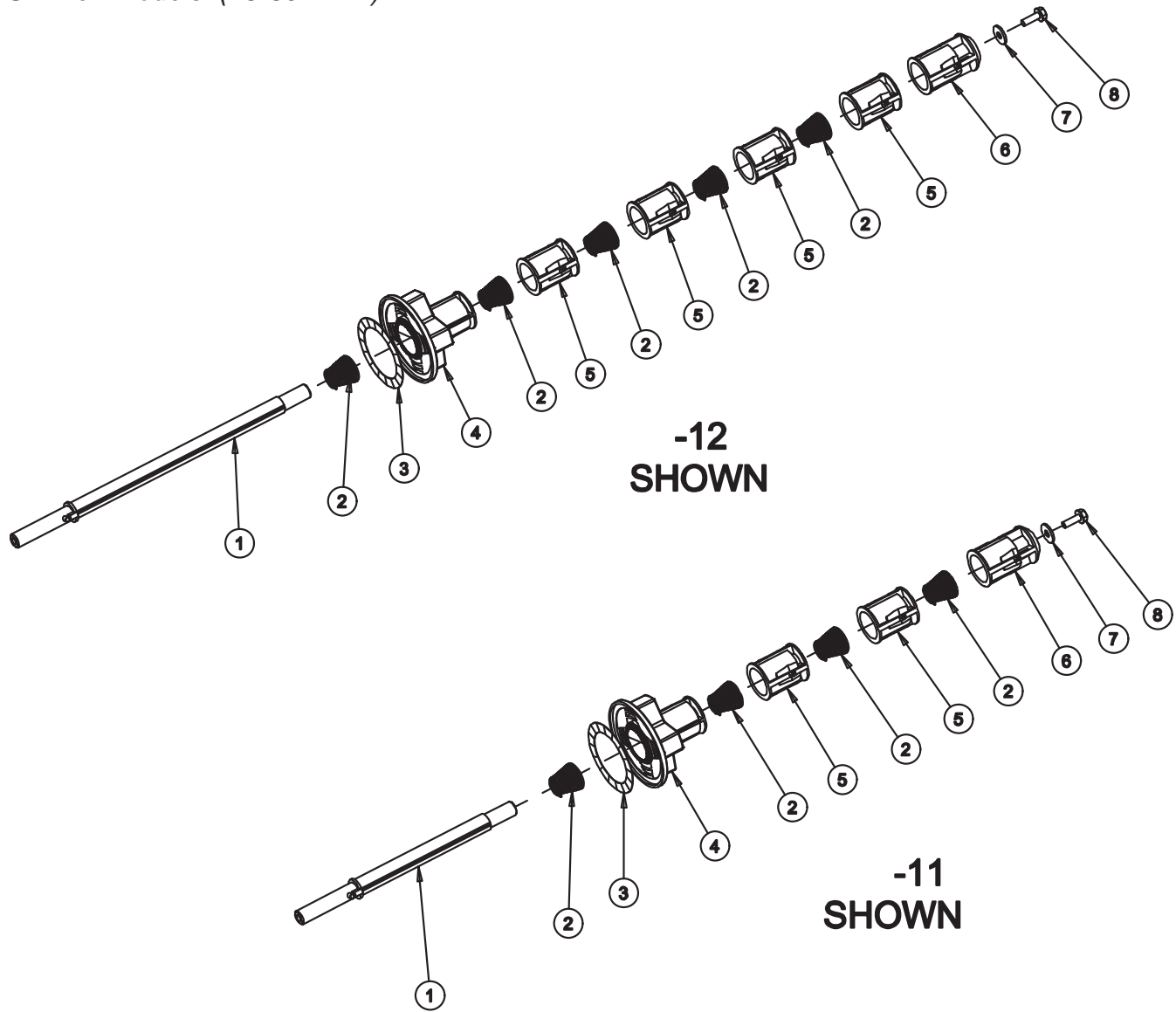
-21 SHOWN

#	Part#	Description	Notes
1	12-3248-01	HOUSING RIBBON SUPPORT	
2	15-3044-11	HUB ASSY A-CLASS RIB SUP 4"	
	15-3044-12	HUB ASSY A-CLASS RIB SUP 6"	
3	DPO10-2903-04	(50PK) SCRW SWGFRM M4 PHILIPS HD 12	
4	DPO10-3018-04	(25PK) WASHER FLAT #8 CRES	
5	17-2869-01	WASHER FLAT NYLON	
6	51-2375-01	CCA RIBBON SENSOR A-CLASS	
7	DPO10-3088-01	(25PK) SCREW FLATHEAD CRES M3 X 6	
8	12-3248-01	HOUSING RIBBON SUPPORT	

Ribbon Supply Hub

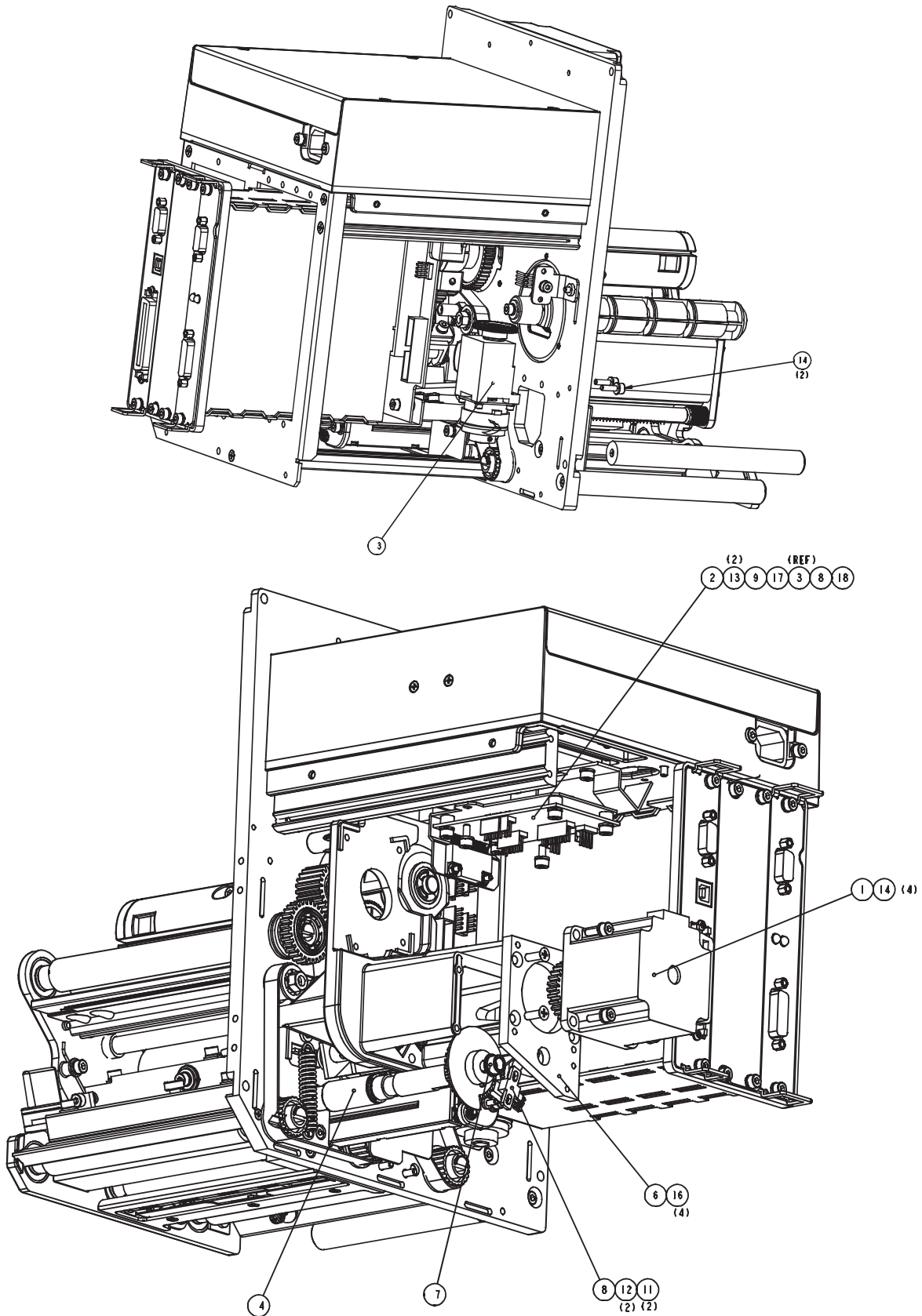
Four-Inch Models: (15-3044-11)

Six Inch Models: (15-3044-12)



#	Part#	Description	Notes
1	16-3000-01	SHAFT FRICTION 4"	
	16-3000-02	SHAFT FRICTION 6"	
2	DPO17-3221-01	(4PK) Spring Torsion	
3	14-2706-01	LABEL RIBBON SENSOR	
4	16-2996-01	HUB INNER	
5	16-2997-01	HUB MIDDLE	
6	16-2998-01	HUB OUTER	
7	DPO10-3018-04	(25PK) WASHER FLAT #8 CRES	
8	DPO10-3085-04	(25PK) SCRW SH CAP W/ LW M4 X 12	

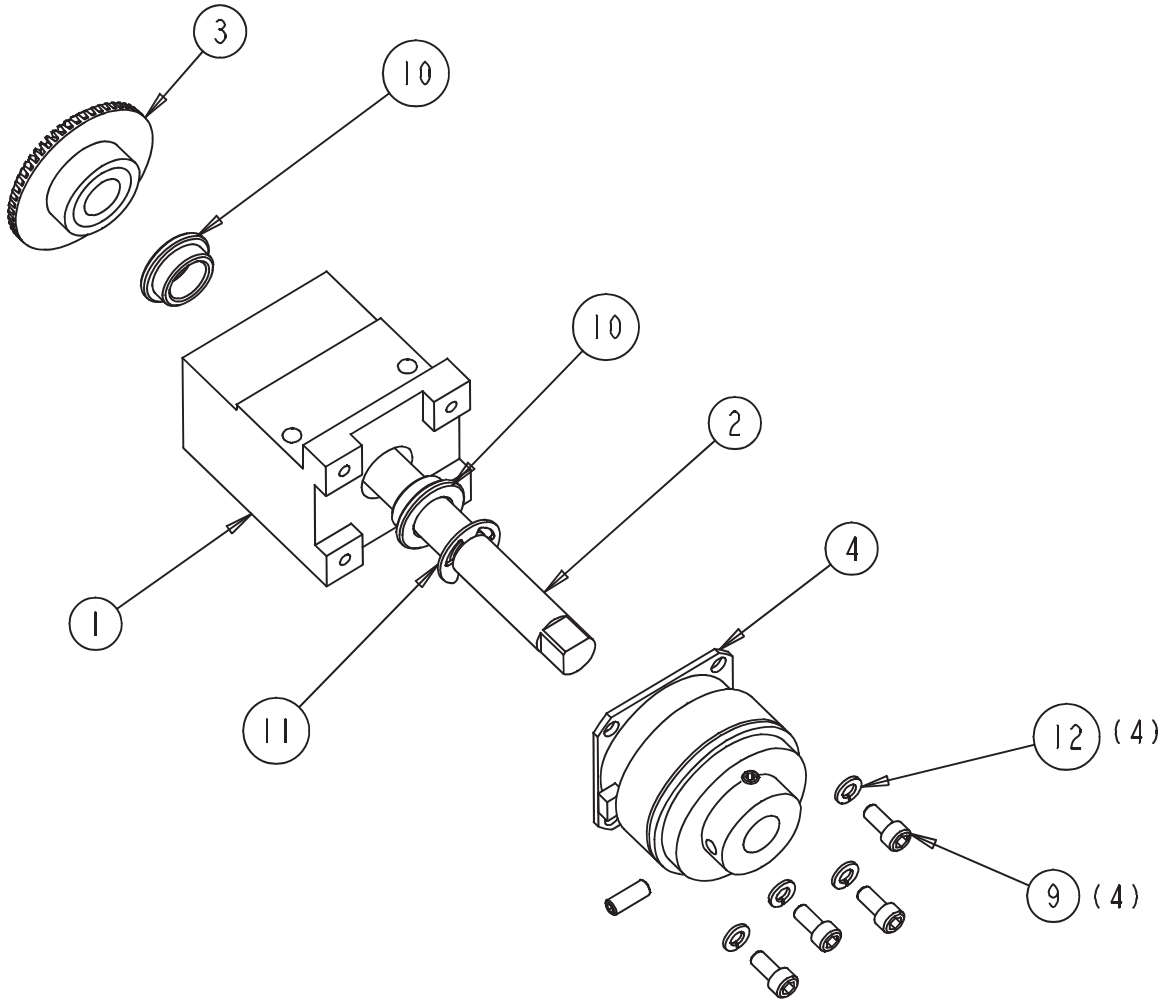
Ribbon Saver, Right Hand Four-Inch Models (78-2449-01)



Ribbon Saver, Right Hand Four-Inch Models

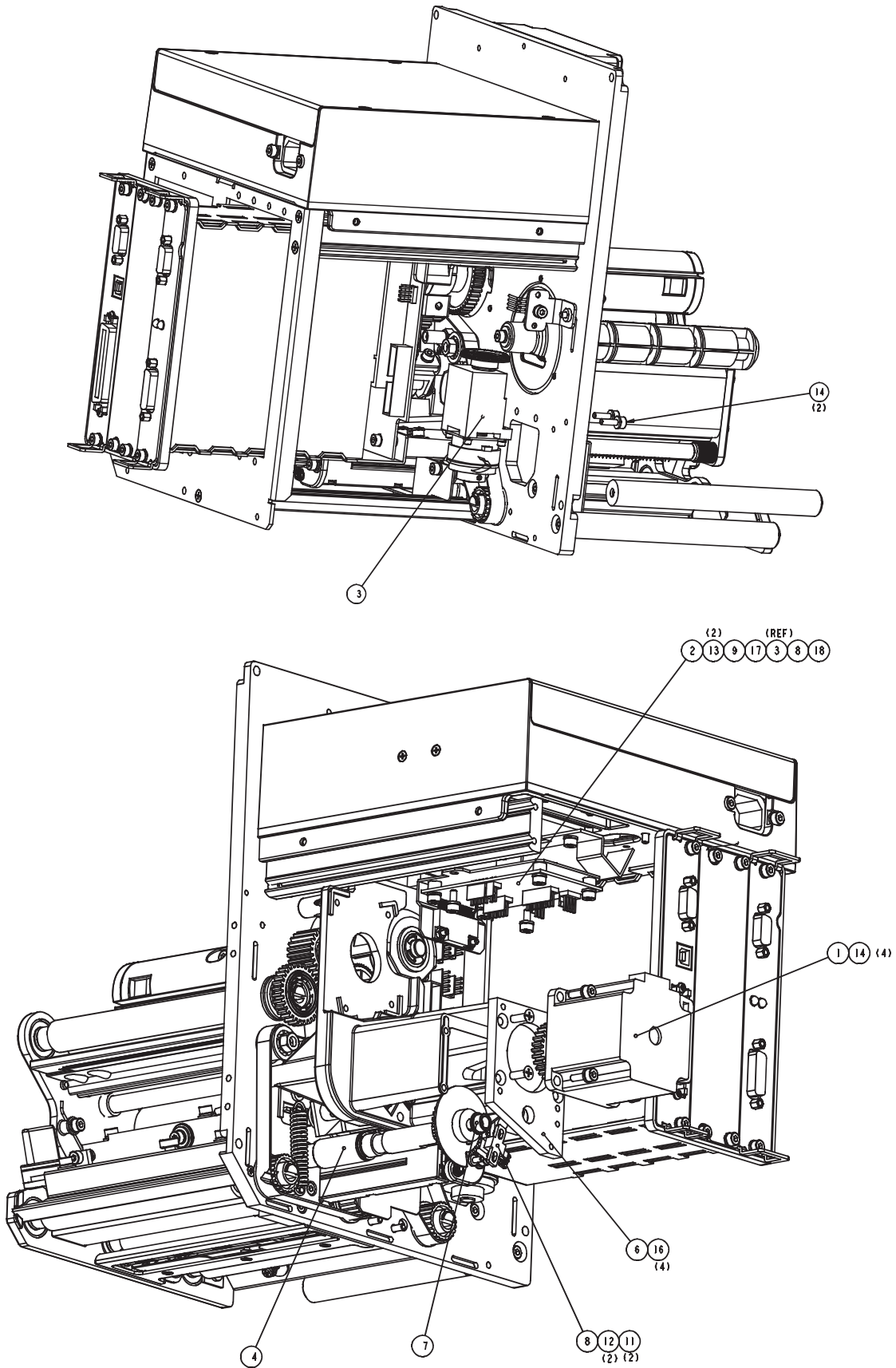
#	Part#	Description	Notes
1	24-2602-01	MOTOR ASSEMBLY	
2	51-2363-00	CCA RIBBON SAVER A-CLASS	
3	24-2611-01	BRAKE ASSEMBLY RIBBON SAVER RH	
4	15-3002-01	CAM ASSEMBLY RIBBON SAVER	
6	12-3231-02	PLATE MOTOR MTG RS	
7	17-2505-01	BUSHING FLANGED .250 ID	
8	24-2620-01	CABLE ASSY RIBBON SAVER CAM	
9	32-2541-01	CABLE ASSEMBLY RIBBON SAVER	
11	DPO10-3092-01	(25PK) SCREW PHP M3 X 6MM CRES	
12	DPO10-3093-01	(25PK) WASHER M3 EXT TOOTH LOCK CRES	
13	DPO10-3085-01	(25PK) SCREW SOC HD CAP W/ LW M4 X 6	
14	DPO10-3085-03	(25PK) SCREW SOC HD CAP W/ LW M4 X 10	
16	DPO10-3066-04	(25PK) SCREW FLAT HEAD SS M4 X 12	
17	32-2550-01	CABLE ASSEMBLY RIBBON SAVER POWER	
18	--	TIE TWIST LOCK	

Brake Assembly (24-2611-01)



#	Part#	Description	Notes
1	12-3222-01	BLOCK MOUNTING BRAKE	
2	12-3260-01	SHAFT RIBBON SAVER	
3	16-2905-01	GEAR BEVEL	
4	15-2996-03	BRAKE 24 VOLT (MOD)	
8	DPO10-2976-01	(50PK) SET SCREW M3 X 8	
9	DPO10-0557-01	(50PK) SCREW SOC HD CAP 4-40 X 1/4	
10	DPO899349	(10PK) BEARING - FLANGED .312	
11	DPO10-3021-06	(10PK) E-RING 5/16 CRES	
12	DPO10-3019-02	(50PK) WASHER SPLIT LOCK #4 CRES	

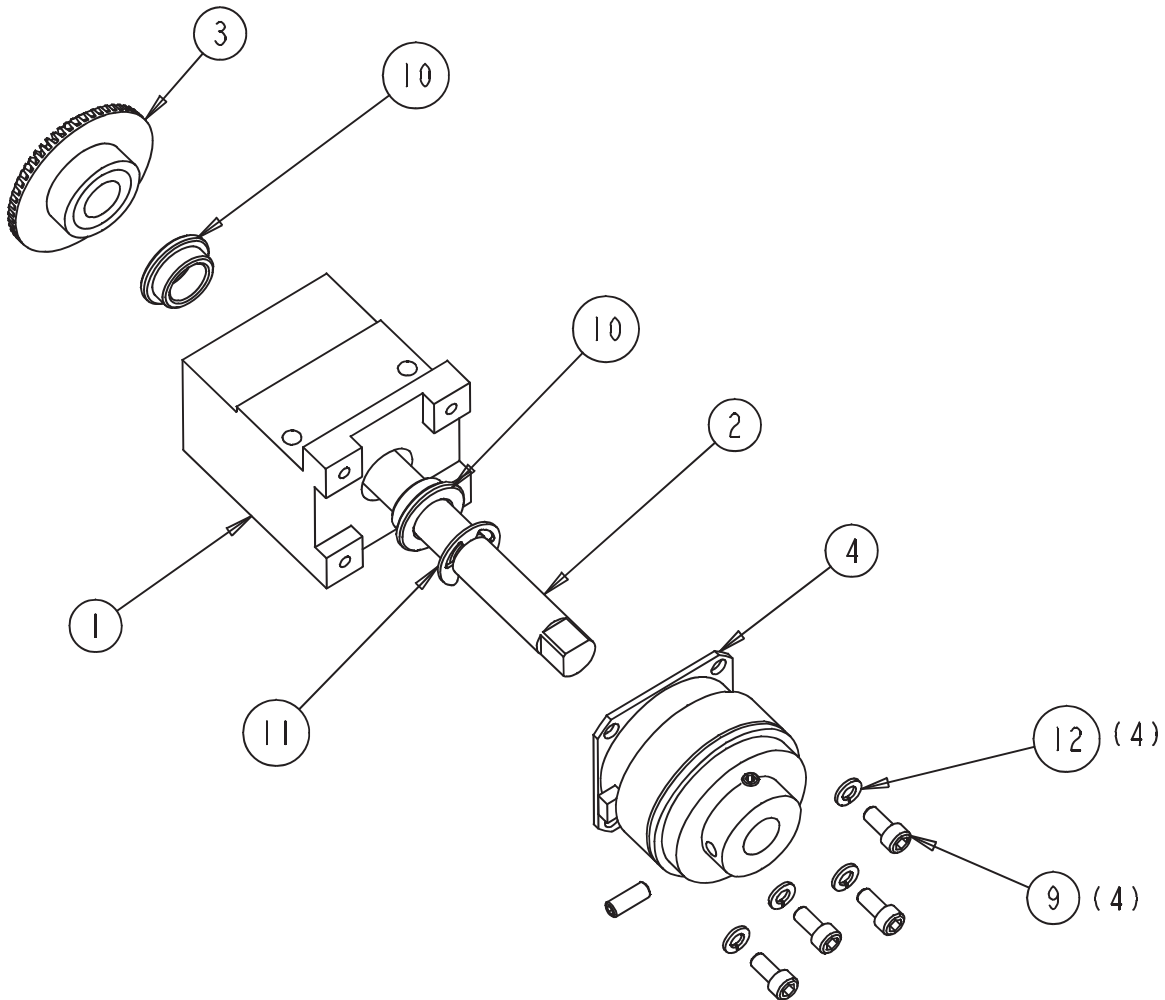
Ribbon Saver, Right Hand Six-Inch Models (78-2449-02)



Ribbon Saver, Right Hand Six-Inch Models (78-2449-02)

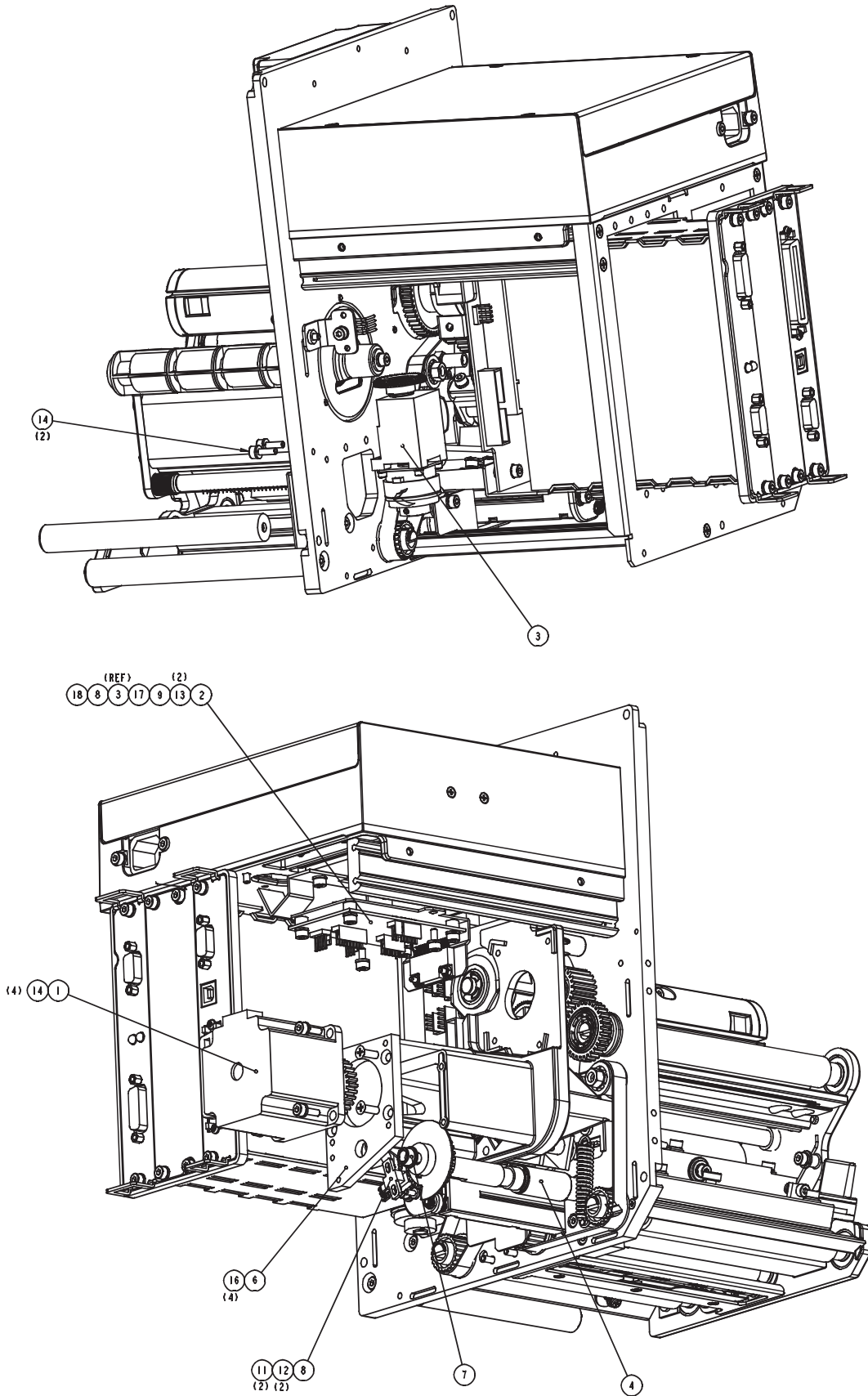
#	Part#	Description	Notes
1	24-2602-01	MOTOR ASSEMBLY	
2	51-2363-00	CCA RIBBON SAVER A-CLASS	
3	24-2611-01	BRAKE ASSEMBLY RIBBON SAVER RH	
4	15-3002-01	CAM ASSEMBLY RIBBON SAVER	
6	12-3231-02	PLATE MOTOR MTG RS	
7	17-2505-01	BUSHING FLANGED .250 ID	
8	24-2620-01	CABLE ASSY RIBBON SAVER CAM	
9	32-2541-01	CABLE ASSEMBLY RIBBON SAVER	
11	DPO10-3092-01	(25PK) SCREW PHP M3 X 6MM CRES	
12	DPO10-3093-01	(25PK) WASHER M3 EXT TOOTH LOCK CRES	
13	DPO10-3085-01	(25PK) SCREW SOC HD CAP W/ LW M4 X 6	
14	DPO10-3085-03	(25PK) SCREW SOC HD CAP W/ LW M4 X 10	
16	DPO10-3066-04	(25PK) SCREW FLAT HEAD SS M4 X 12	
17	32-2550-01	CABLE ASSEMBLY RIBBON SAVER POWER	
18	--	TIE TWIST LOCK	

Brake Assembly (24-2611-01)



#	Part#	Description	Notes
1	12-3222-01	BLOCK MOUNTING BRAKE	
2	12-3260-01	SHAFT RIBBON SAVER	
3	16-2905-01	GEAR BEVEL	
4	15-2996-03	BRAKE 24 VOLT (MOD)	
8	DPO10-2976-01	(50PK) SET SCREW M3 X 8	
9	DPO10-0557-01	(50PK) SCREW SOC HD CAP 4-40 X 1/4	
10	DPO899349	(10PK) BEARING - FLANGED .312	
11	DPO10-3021-06	(10PK) E-RING 5/16 CRES	
12	DPO10-3019-02	(50PK) WASHER SPLIT LOCK #4 CRES	

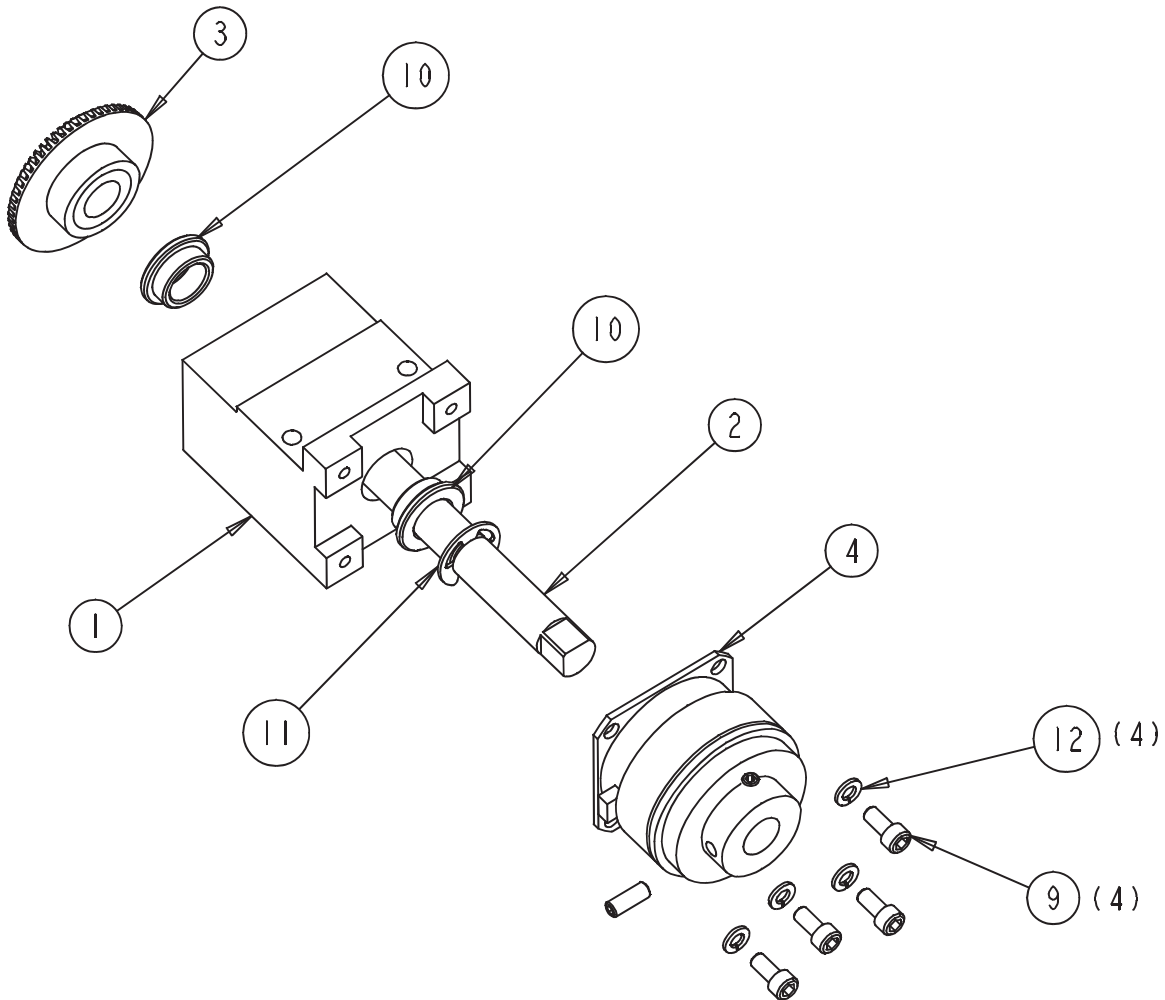
Ribbon Saver, Left Hand Four-Inch Models (78-2449-11)



Ribbon Saver, Left Hand Four-Inch Models (78-2449-11)

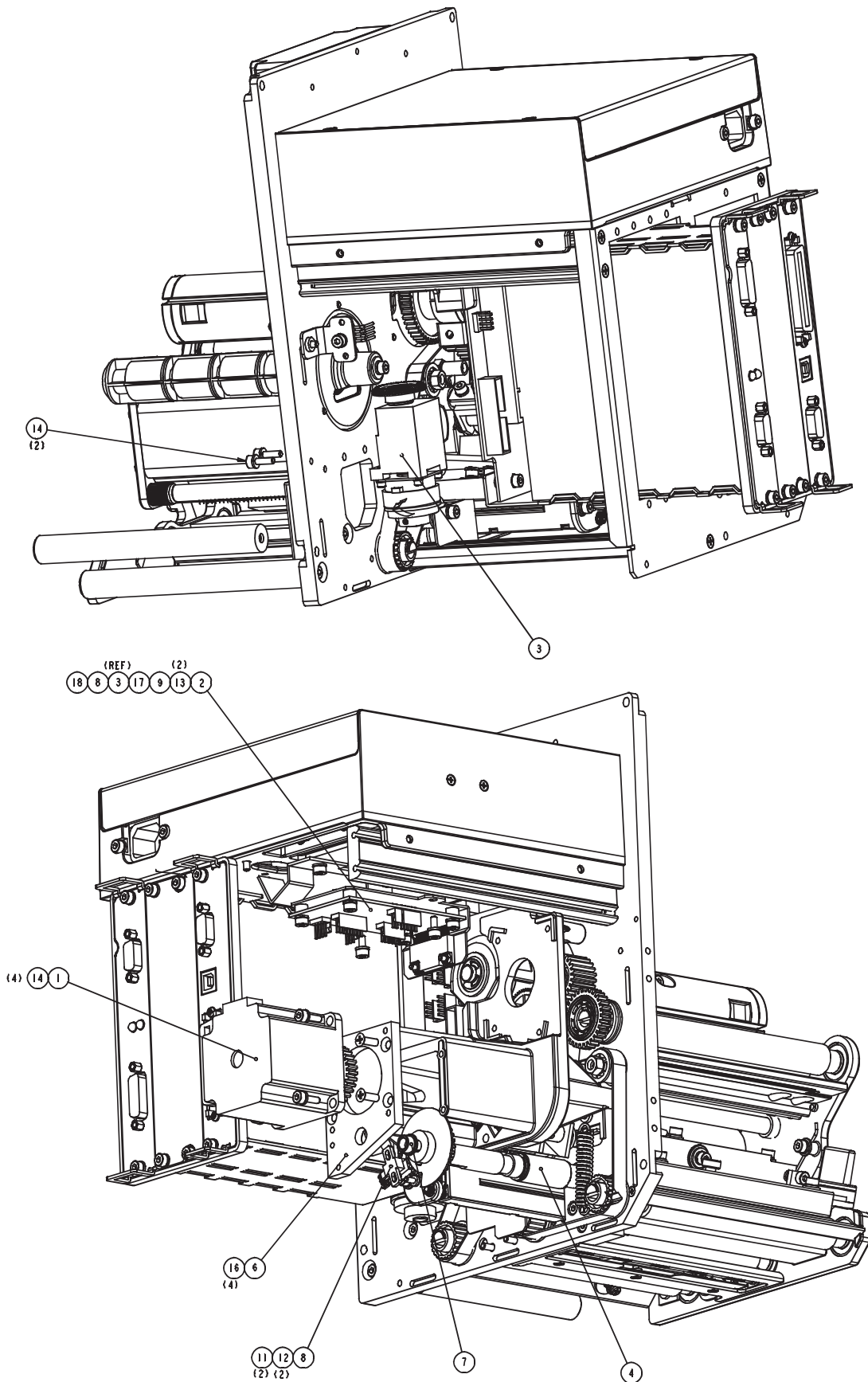
#	Part#	Description	Notes
1	24-2602-01	MOTOR ASSEMBLY	
2	51-2363-00	CCA RIBBON SAVER A-CLASS	
3	24-2611-02	BRAKE ASSEMBLY RIBBON SAVER LH	
4	15-3002-01	CAM ASSEMBLY RIBBON SAVER	
6	12-3231-01	PLATE MOUNTING MOTOR RS	
7	17-2505-01	BUSHING FLANGED .250 ID	
8	24-2620-01	CABLE ASSY RIBBON SAVER CAM	
9	32-2541-01	CABLE ASSEMBLY RIBBON SAVER	
11	DPO10-3092-01	(25PK) SCREW PHP M3 X 6MM CRES	
12	DPO10-3093-01	(25PK) WASHER M3 EXT TOOTH LOCK CRES	
13	DPO10-3085-01	(25PK) SCREW SOC HD CAP W/ LW M4 X 6	
14	DPO10-3085-03	(25PK) SCREW SOC HD CAP W/ LW M4 X 10	
16	DPO10-3066-04	(25PK) SCREW FLAT HEAD SS M4 X 12	
17	32-2550-01	CABLE ASSEMBLY RIBBON SAVER POWER	
18	--	TIE TWIST LOCK	

Brake Assembly (24-2611-02)



#	Part#	Description	Notes
1	12-3222-01	BLOCK MOUNTING BRAKE	
2	12-3260-01	SHAFT RIBBON SAVER	
3	16-2905-01	GEAR BEVEL	
4	15-2996-03	BRAKE 24 VOLT (MOD)	
8	DPO10-2976-01	(50PK) SET SCREW M3 X 8	
9	DPO10-0557-01	(50PK) SCREW SOC HD CAP 4-40 X 1/4	
10	DPO899349	(10PK) BEARING - FLANGED .312	
11	DPO10-3021-06	(10PK) E-RING 5/16 CRES	
12	DPO10-3019-02	(50PK) WASHER SPLIT LOCK #4 CRES	

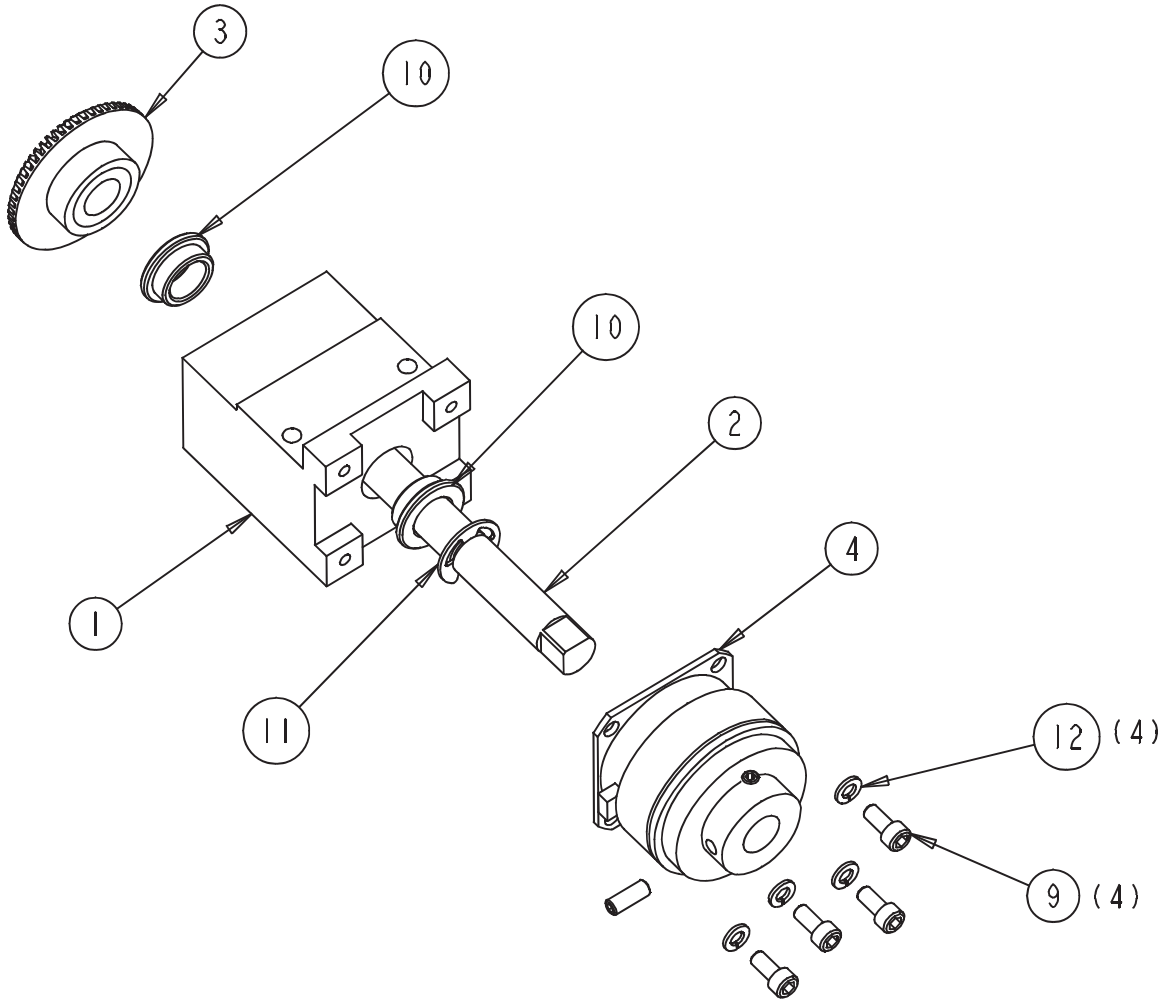
Ribbon Saver, Left Hand Six-Inch Models (78-2449-12)



Ribbon Saver, Left Hand Six-Inch Models (78-2449-12)

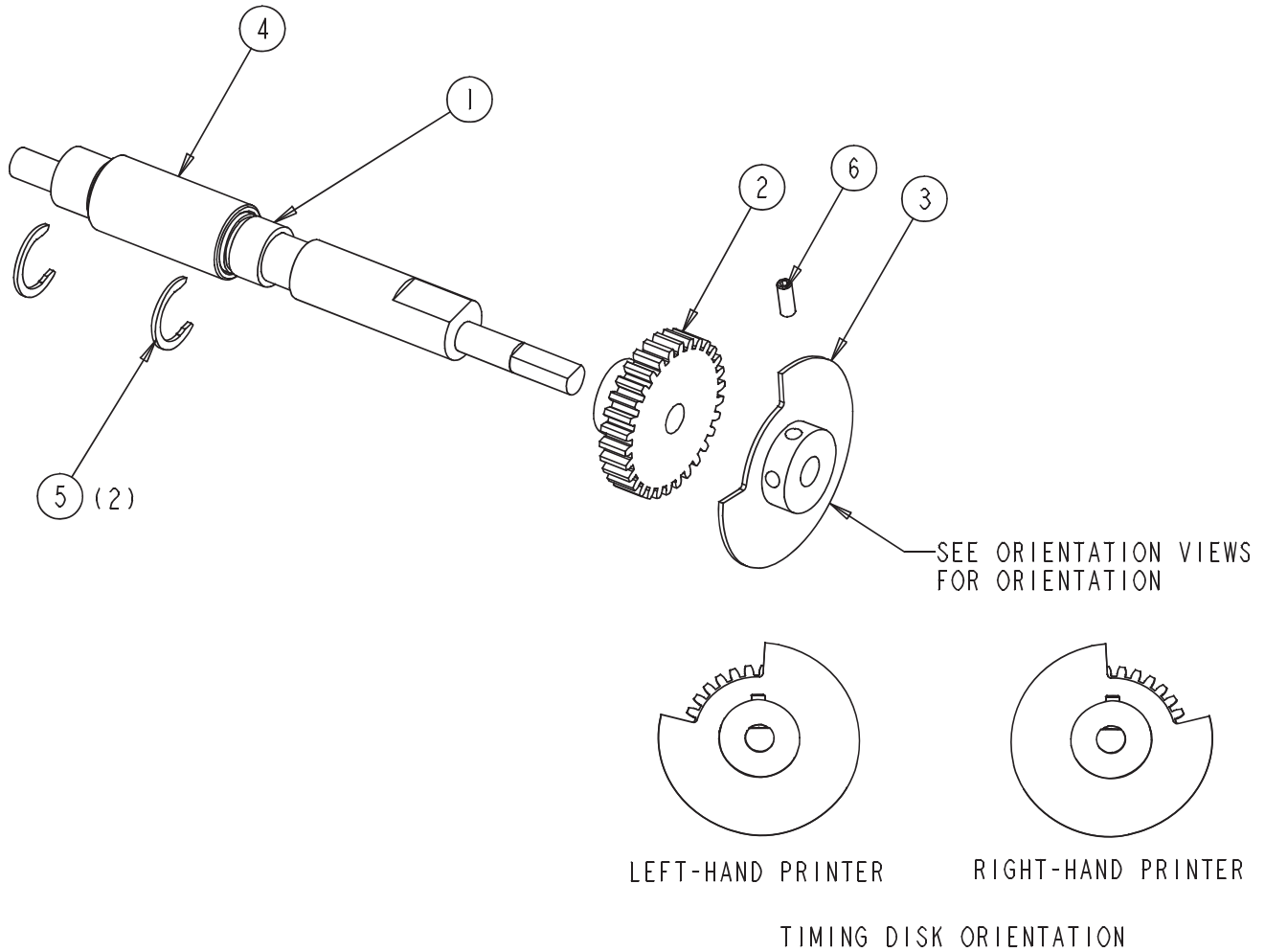
#	Part#	Description	Notes
1	24-2602-01	MOTOR ASSEMBLY	
2	51-2363-00	CCA RIBBON SAVER A-CLASS	
3	24-2611-02	BRAKE ASSEMBLY RIBBON SAVER LH	
4	15-3002-01	CAM ASSEMBLY RIBBON SAVER	
6	12-3231-01	PLATE MOUNTING MOTOR RS	
7	17-2505-01	BUSHING FLANGED .250 ID	
8	24-2620-01	CABLE ASSY RIBBON SAVER CAM	
9	32-2541-01	CABLE ASSEMBLY RIBBON SAVER	
11	DPO10-3092-01	(25PK) SCREW PHP M3 X 6MM CRES	
12	DPO10-3093-01	(25PK) WASHER M3 EXT TOOTH LOCK CRES	
13	DPO10-3085-01	(25PK) SCREW SOC HD CAP W/ LW M4 X 6	
14	DPO10-3085-03	(25PK) SCREW SOC HD CAP W/ LW M4 X 10	
16	DPO10-3066-04	(25PK) SCREW FLAT HEAD SS M4 X 12	
17	32-2550-01	CABLE ASSEMBLY RIBBON SAVER POWER	
18	--	TIE TWIST LOCK	

Brake Assembly (24-2611-02)



#	Part#	Description	Notes
1	12-3222-01	BLOCK MOUNTING BRAKE	
2	12-3260-01	SHAFT RIBBON SAVER	
3	16-2905-01	GEAR BEVEL	
4	15-2996-03	BRAKE 24 VOLT (MOD)	
8	DPO10-2976-01	(50PK) SET SCREW M3 X 8	
9	DPO10-0557-01	(50PK) SCREW SOC HD CAP 4-40 X 1/4	
10	DPO899349	(10PK) BEARING - FLANGED .312	
11	DPO10-3021-06	(10PK) E-RING 5/16 CRES	
12	DPO10-3019-02	(50PK) WASHER SPLIT LOCK #4 CRES	

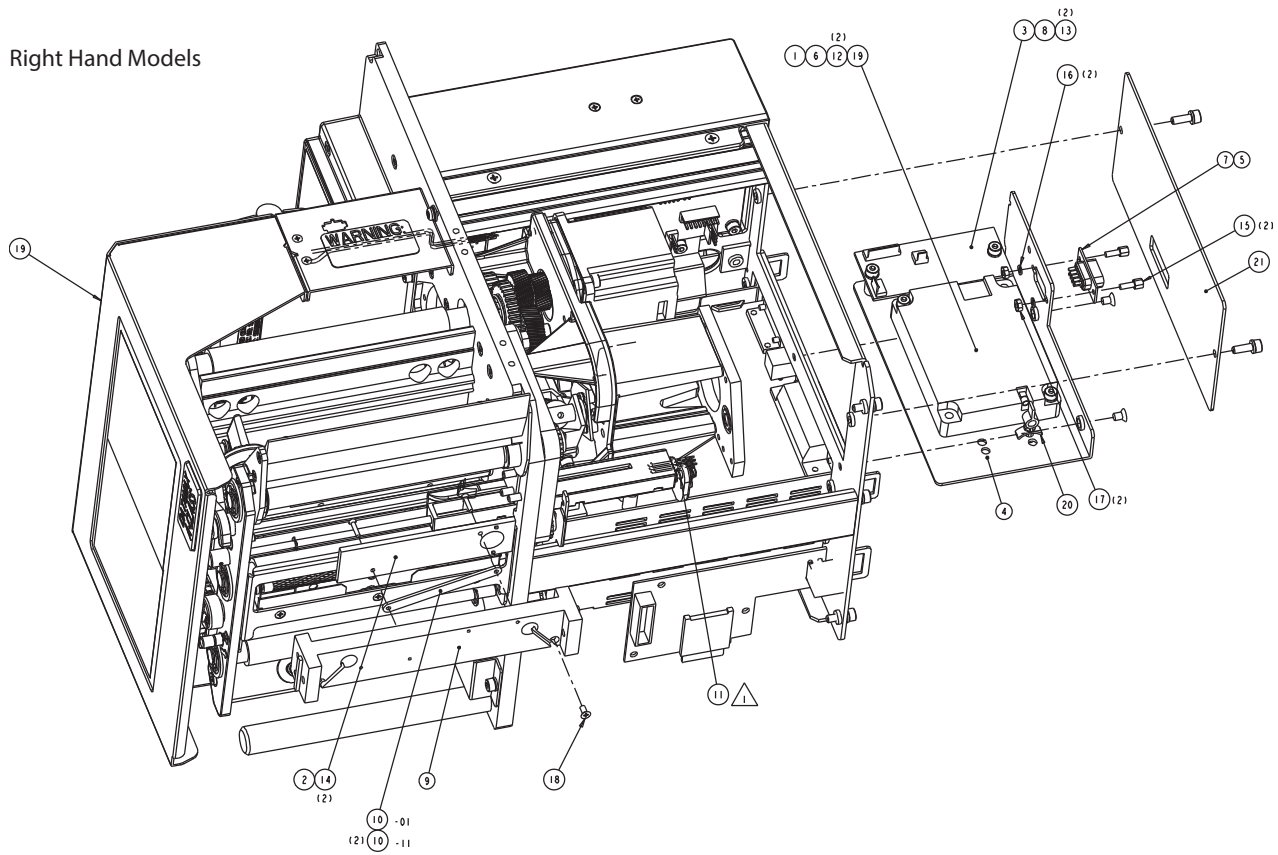
Ribbon Saver Cam Assembly, all Ribbon Saver models (15-3002-01)



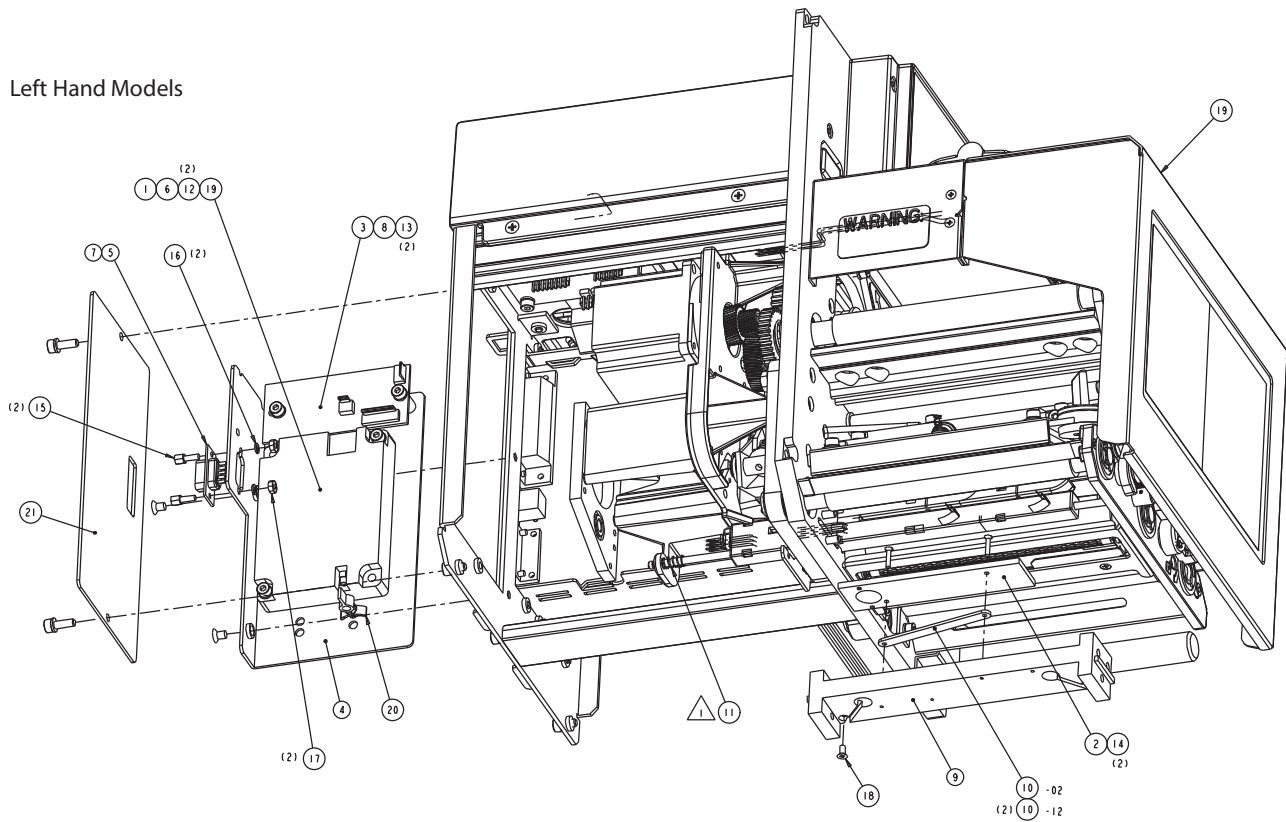
#	Part#	Description	Notes
1	12-3259-01	CAM RIBBON SAVER	
2	16-2936-01	GEAR 30 TEETH	
3	12-3238-01	DISK TIMING	
4	17-2992-01	BUSHING SLEEVE AA-628-11	
5	DPO10-3083-09	(10PK) RING RETAINING C 1/2" CRES	
6	DPO10-3025-05	(50PK) SCREW SET CUP POINT 6-32 X 3/16 SS	

RFID Option

Right Hand Models



Left Hand Models



RFID Option

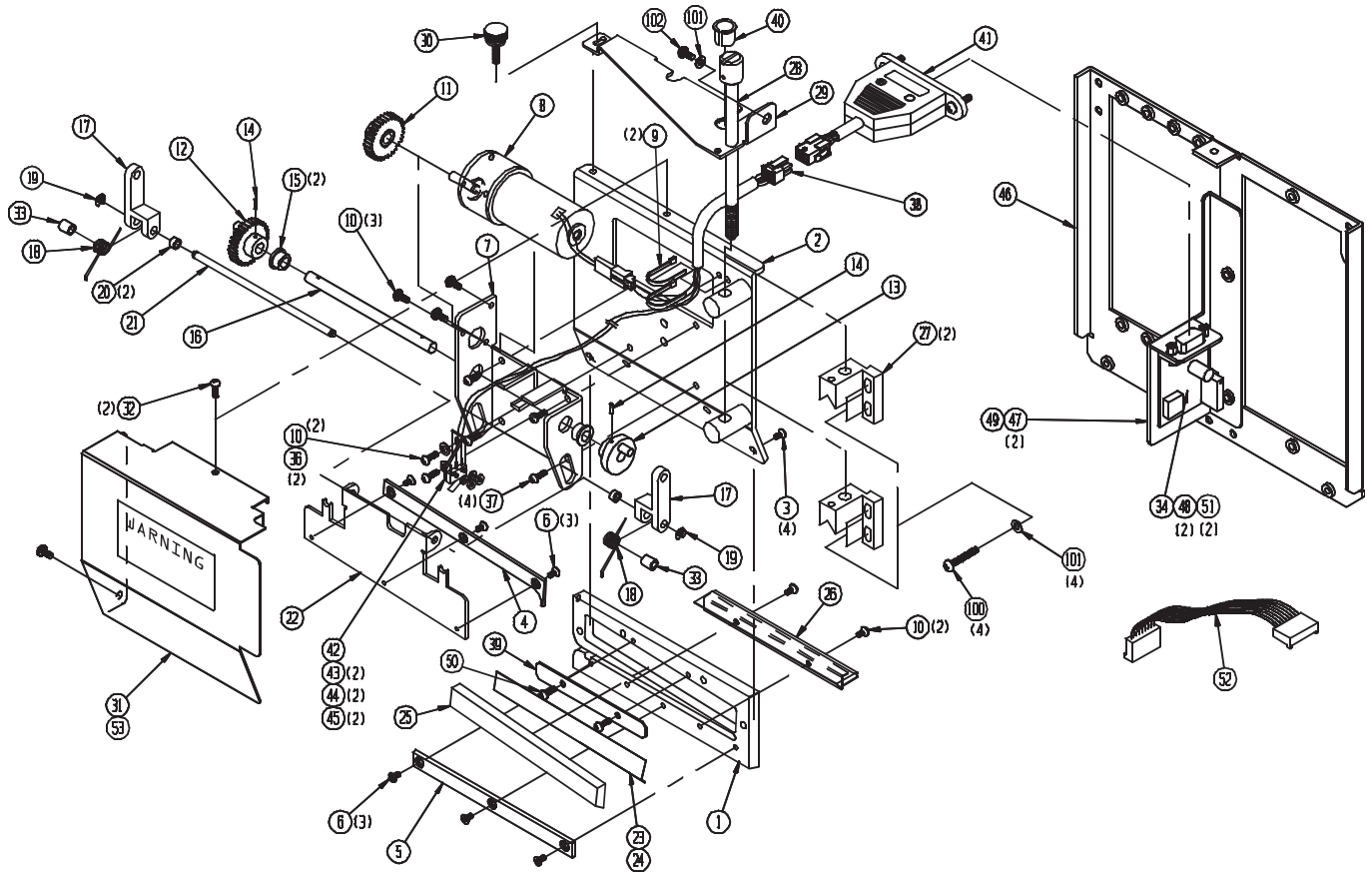
Right Hand Printers

#	Part#	Description	Notes
1	20-2244-01	MOD. RFID UHF MULTI-PROTOCOL	
2	50-2062-01	RFID UHF TRANSDUCER	4" Models
	50-2066-01	RFID UHF 6 INCH TRANSDUCER	6" Models
3	51-2417-00	CCA,SW. REG BRD.,RFID	
4	11-5679-01	BRACKET, RFID MTG (RH)	
5	32-2565-01	CABLE ASSEMBLY RFID RS232	
6	32-2597-01	CBL. ASSY, RFID INT., A-CLASS	
7	32-2586-01	CABLE ASSY, AUX. COMM. A-CLASS-	
8	32-2585-01	CBL ASSY, RFID AUX PWR A-CLS-	
9	12-3469-01	BAR, RFID SUPPORT	4" Models
	12-3469-02	BAR, 6" RFID SUPPORT	6" Models
10	13-2459-01	SPACER, RFID ANTENNA	4" Models
	DPO10-2690-01	(50PK) WASHER FLAT .141ID X .250 OD	6" Models
11	--	CABLE TIE	
12	DPO10-3085-07	(25PK) SCRW, SH CAP W/ LW, M4 X 25	
13	DPO10-3085-04	(25PK) SCRW, SH CAP W/ LW, M4 X 12	
14	DPO10-3123-01	(50PK) SCREW, NYLON 2-56 X .44 LG	
15	DPO10-3038-01	(10PK) JCK SCRW,3/16,4-40 X 5/16, SS	
16	DPO10-3019-02	(50PK) WASHER SPLIT LOCK #4 CRES	
17	DPO10-3026-02	(25PK) NUT, HEX #4-40 CRES	
18	DPO10-3088-01	(25PK) SCREW, FLATHEAD, CRES, M3 X 6	
19	--	LABEL, RFID FCC CLASS 1	
20	17-3137-01	CLIP, STANDOFF LOCKING	
21	11-5427-02	PLATE, COVER - RFID	

Left Hand Printers

#	Part#	Description	Notes
1	20-2244-01	MOD. RFID UHF MULTI-PROTOCOL	
2	50-2062-01	RFID UHF TRANSDUCER	4" Models
	50-2066-01	RFID UHF 6 INCH TRANSDUCER	6" Models
3	51-2417-00	CCA,SW. REG BRD.,RFID	
4	11-5679-02	BRACKET, RFID MTG (LH)	
5	32-2565-01	CABLE ASSEMBLY RFID RS232	
6	32-2597-01	CBL. ASSY, RFID INT., A-CLASS	
7	32-2586-01	CABLE ASSY, AUX. COMM. A-CLASS-	
8	32-2585-01	CBL ASSY, RFID AUX PWR A-CLS-	
9	12-3469-01	BAR, RFID SUPPORT	4" Models
	12-3469-02	BAR, 6" RFID SUPPORT	6" Models
10	13-2459-01	SPACER, RFID ANTENNA	4" Models
	DPO10-2690-01	(50PK) WASHER FLAT .141ID X .250 OD	6" Models
11	--	CABLE TIE	
12	DPO10-3085-07	(25PK) SCRW, SH CAP W/ LW, M4 X 25	
13	DPO10-3085-04	(25PK) SCRW, SH CAP W/ LW, M4 X 12	
14	DPO10-3123-01	(50PK) SCREW, NYLON 2-56 X .44 LG	
15	DPO10-3038-01	(10PK) JCK SCRW,3/16,4-40 X 5/16, SS	
16	DPO10-3019-02	(50PK) WASHER SPLIT LOCK #4 CRES	
17	DPO10-3026-02	(25PK) NUT, HEX #4-40 CRES	
18	DPO10-3088-01	(25PK) SCREW, FLATHEAD, CRES, M3 X 6	
19	--	LABEL, RFID FCC CLASS 1	
20	17-3137-01	CLIP, STANDOFF LOCKING	
21	11-5427-02	PLATE, COVER - RFID	

Linerless Cutter, Right Hand, Four-Inch Models only (DPO61-2173-02)



Linerless Cutter, Right Hand, Four-Inch Models only (DPO61-2173-02)

#	Part#	Description	Notes
1	12-2881-01	PLATE BASE	
2	15-2751-01	ASSY BACKPLATE	
3	DPO10-2894-01	(50PK) SCREW FHP 8-32 X 3/8	
4	12-2884-01	BLADE CUTTING UPPER	
5	12-2885-01	BLADE CUTTING LOWER	
6	DPO10-2364-01	(50PK) SCRW 4-40 X 3/16 PFH UNDERCUT	
7	11-5079-01	BRACKET LOWER	
8	24-2507-01	ASSY MOTOR	
9	--	TYWRAP 4"	
10	DPO130809	(50PK) SCRW PHP 4-40 X 1/4 EX SEMS	
11	17-2814-01	SPUR GEAR 30T	
12	899397	GEAR - CRANK	
13	899433	CRANK CUTTER	
14	17-2376-01	PIN-RETAINING	
15	17-2525-01	BEARING OILITE FF 312-2	
16	12-2886-01	SHAFT DRIVE	
17	16-2518-01	LINK	
18	17-2807-01	SPRING TORSION R.H.	
19	DPO140065	(50PK) E-RING RETAINING 5/32	
20	17-2812-01	ROLLER BEARING	
21	12-2887-01	SHAFT BLADE CARRIER	
22	11-5080-01	BLADE CARRIER	
23	11-5172-01	SPACER PAD	
24	--	ADHESIVE RTV	
25	13-2350-01	PAD WICK	
26	11-5082-02	GUIDE INPUT	
27	12-2880-02	MOUNT CUTTER	
28	15-2753-01	MOUNTING SCREW	
29	11-5155-01	BRACKET	
30	17-2815-01	THUMB SCREW	
31	11-5161-01	COVER	
32	DPO10-2708-01	(50PK) SCREW SEM 6-32 X 1/4	
33	--	TUBING TEFLON	
34	51-2257-00	CCA CUTTER DAUGHTER	
36	DPO10-0438-01	(50PK) WASHER #4 FLAT .250 X.125 X.025	
37	DPO130810	(50PK) SCRW 6-32 X 1/4 PHIL PH EXT/S	
38	32-2423-02	CABLE ASSY CUTTER	
39	11-5173-01	PLATE KEEPER	
40	17-0149-01	BUSHING OPEN-CLOSED	
41	32-2423-03	CABLE ASSY CUTTER INTERFACE	
42	11-5174-01	BRACKET SWITCH MTG	
43	DPO10-2733-01	(20PK) SCREW PAN HEAD M2X10 ZINC	
44	DPO140029	(50PK) WASHER #2 INT TOOTH LOCK	
45	DPO10-2510-01	(50PK) HEX NUT M2 X .4	
46	11-5529-03	PLATE REAR RH (3M)	
47	DPO10-3066-01	(25PK) SCREW FLAT HEAD SS M4 X 6	
48	DPO10-3038-01	(10PK) JCK SCRW 3/16 4-40 X 5/16 SS	
49	11-5670-01	BRACKET CUTTER BD MTG	
50	DPO10-2660-01	(50PK) SCREW PHP 2-56 X 1/4 ZP	
51	DPO10-3019-02	(50PK) WASHER LOCK	
52	32-2611-01	CABLE ASSY CUTTER	
53	14-2835-01	LABEL WARNING	
100	DPO10-3085-06	(25PK) SCREW SH CAP W/LW M4 X 20	
101	DPO10-3139-01	(50PK) WASHER FLAT .188 ID X .375 OD	
102	DPO10-3085-03	(25PK) SCREW SH CAP W/LW M4 X 10	