

60kg
132lb



Read through **ALL** instructions before commencing installation.

If you have any questions about this product or issues with installation, contact the customer services helpline before returning this product to the store.



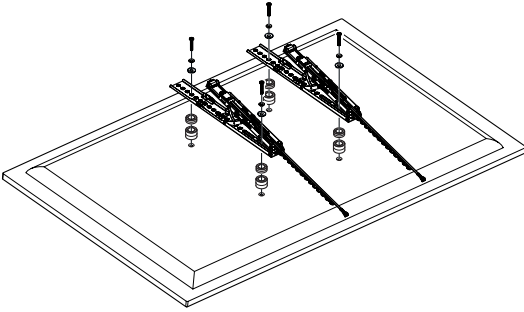
This TV Wall Mount is intended for use with televisions weighing **Maximum 60kg (132lbs)**. Use with products heavier than maximum weight may result in instability causing possible injury.

CUSTOMER SERVICES HELP LINE NUMBER:

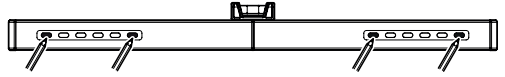
+44 (0) 333 320 0463 (UK)
1-800 667 0808 (USA)

Assembly Overview

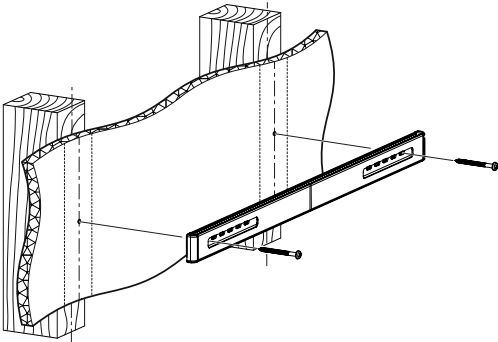
Fit the TV Brackets



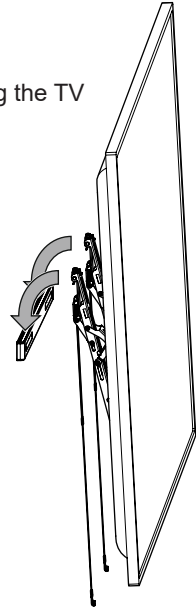
Marking Wall for Drill Points



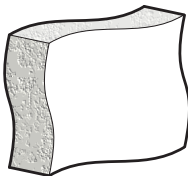
Fit the Wall Rail



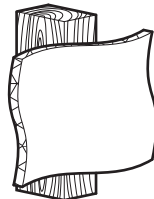
Hang the TV



Suitable Wall Types



Solid Wall



Wood Stud

Index

1 Measure the TV fixing holes Width and Height

2 Preparing the TV Brackets

3 Fitting the TV Brackets

4 Preparing the Wall Rail

5 Marking Wall for Drill Points

6 Fitting the Wall Rail

7 Fitting the Wall Rail Covers

8 Hanging the TV

9 Hide the TV Release Cords

Retain all packaging in case the product needs to be returned.

Contents may vary from photography / illustrations.

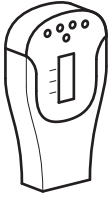
You will not need all these parts, so expect there to be some left over depending upon the specification of your TV.

This product is intended for indoor use only. Use of this product outdoors could lead to failure and personal injury.

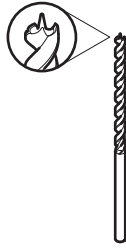
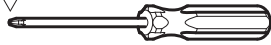
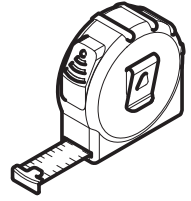
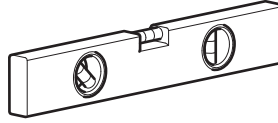
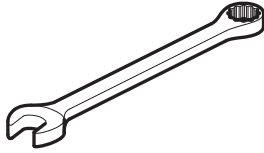
It is the responsibility of the installer to ensure that the mounting wall is of a suitable standard and void of any services (eg gas, electricity, water etc).

AVF accept no responsibility for any damage or loss caused by installing this product in a substandard wall.

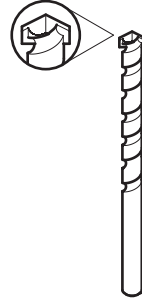
Tools Recommended



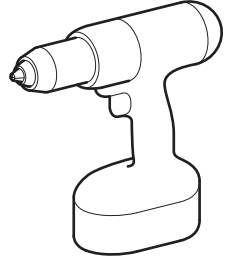
Stud Finder



Ø3mm (1/8")
Wood



Ø10mm (25/64")
Masonry



TV Screws, Reducers and Spacers



D1 x4



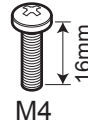
D2 x4



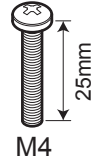
E1 x12



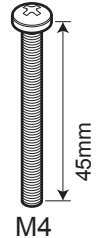
E2 x4



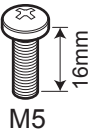
F1 x4



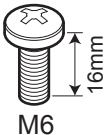
F2 x4



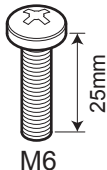
F3 x4



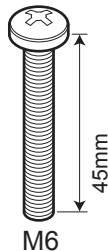
F4 x4



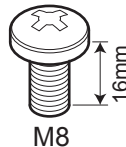
F5 x4



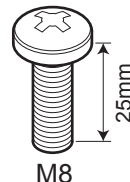
F6 x4



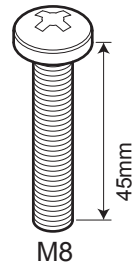
F7 x4



F8 x4

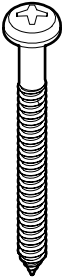
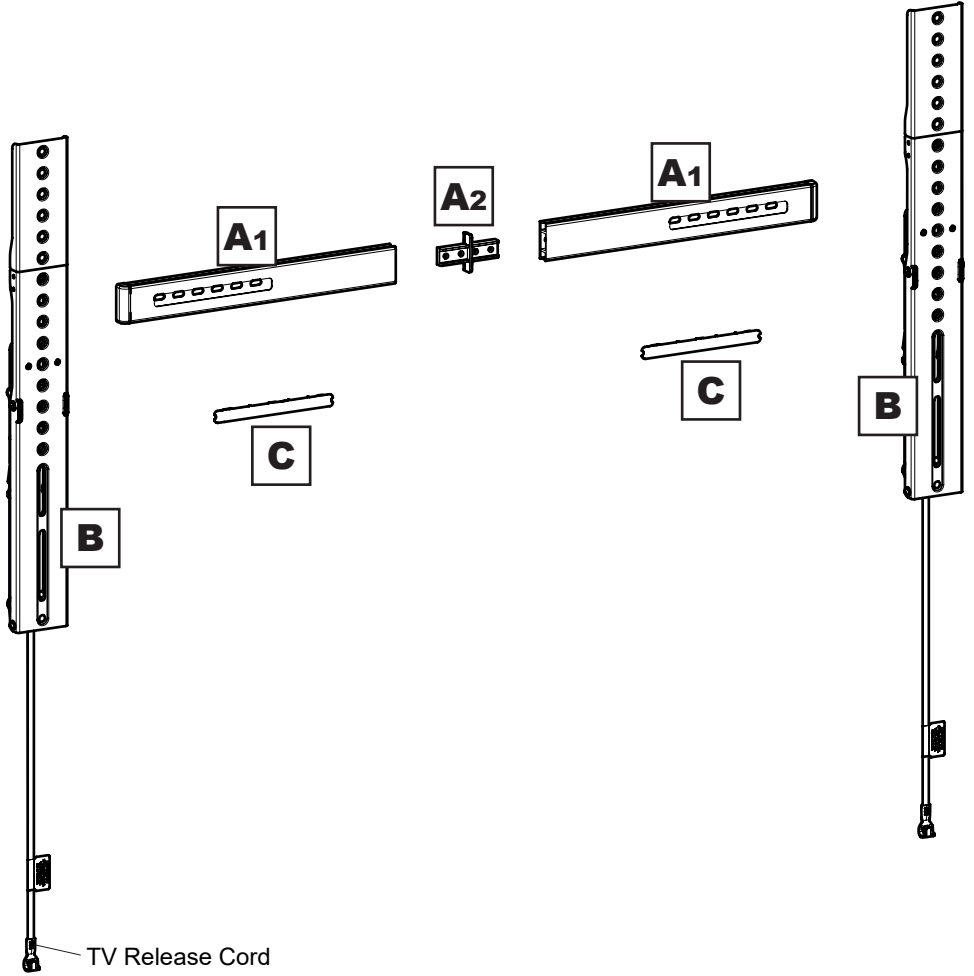


F9 x4

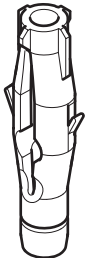


F10 x4

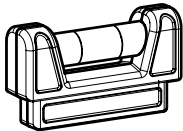
Boxed Parts



G x4



H x4

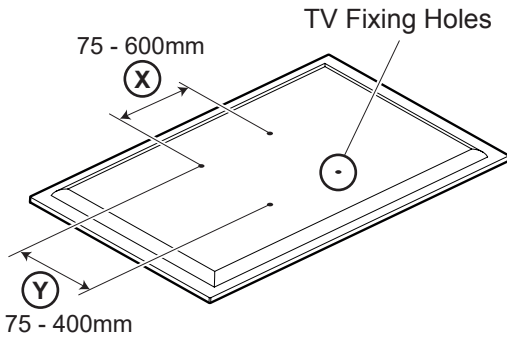


I

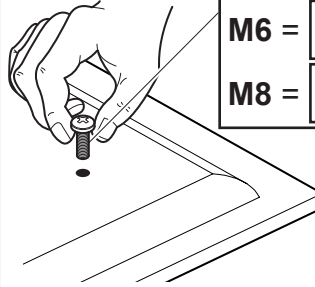


M5
J x4

1 Measure the TV fixing holes Width and Height



If width (X) is greater than 600mm or height (Y) greater than 400mm STOP installation now and contact the customer helpline.



M4 = F1-F3

M5 = F4

M6 = F5-F7

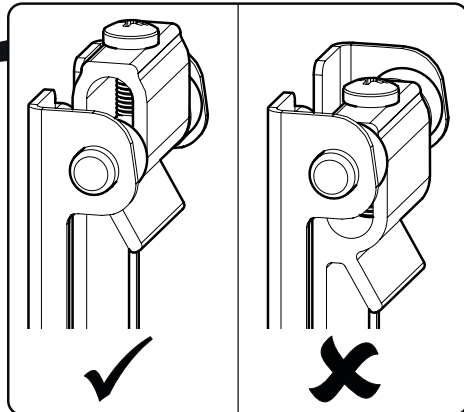
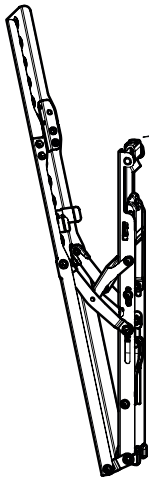
M8 = F8-F10

You are provided with 4 diameters of TV fixing screws, **M4**, **M5**, **M6** and **M8**. Determine the screw diameter that fits and remember for step 3.

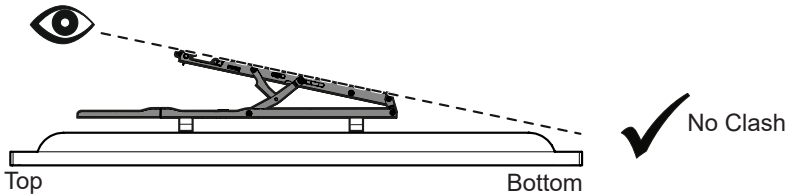
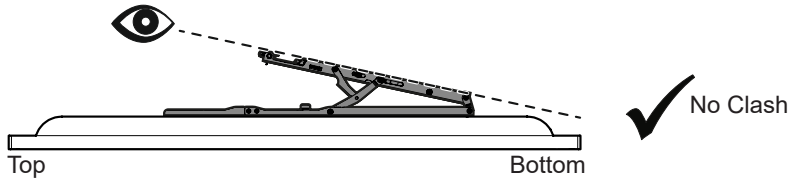
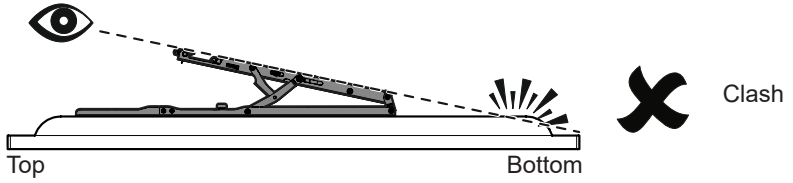
2 Preparing the TV Brackets



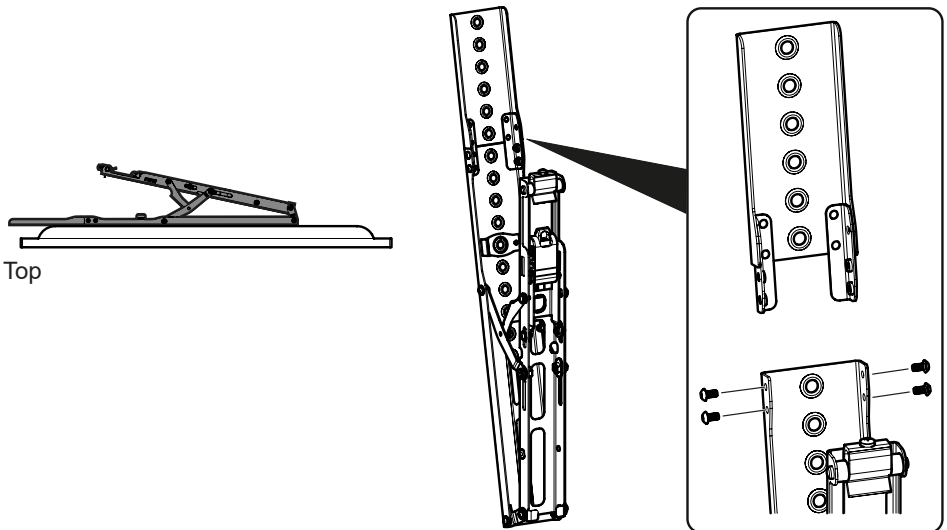
IMPORTANT: Must be done before fitting brackets to your TV. Loosen the TV Levelling Screw enough so that you can push the catch up to its maximum height (as shown).



To ensure maximum tilt is possible after installation you will need to ensure that your TV does not clash with the wall.



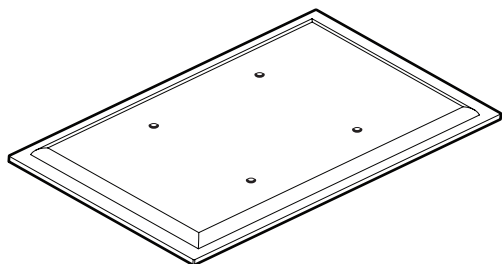
If the top of the TV Brackets extend above the top of the TV you can remove the top portion of the TV Brackets if required.



3 Fitting the TV Brackets

No Spacers

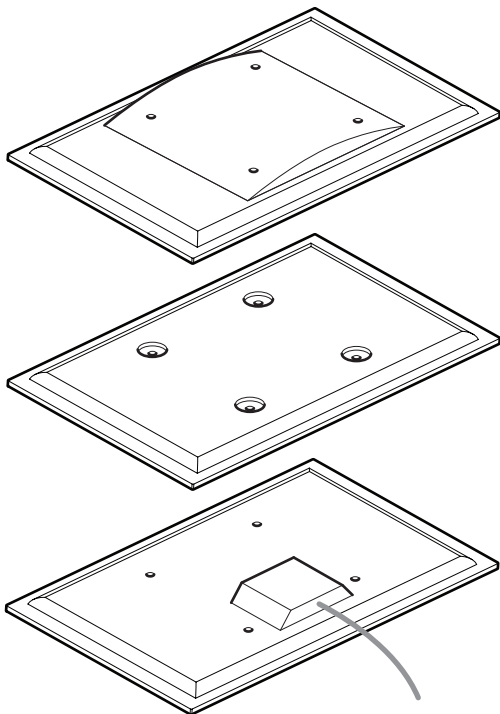
For TVs with flat / unobstructed back.



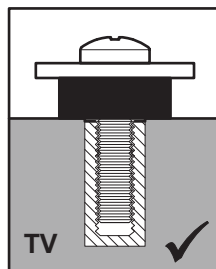
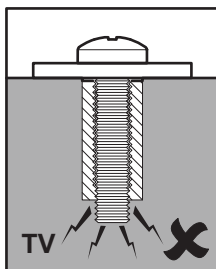
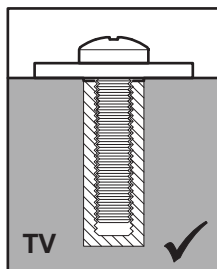
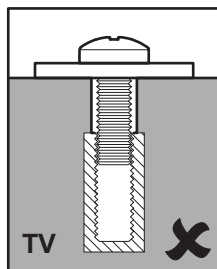
Spacers

E1/E2

For TVs with irregular / obstructed back.

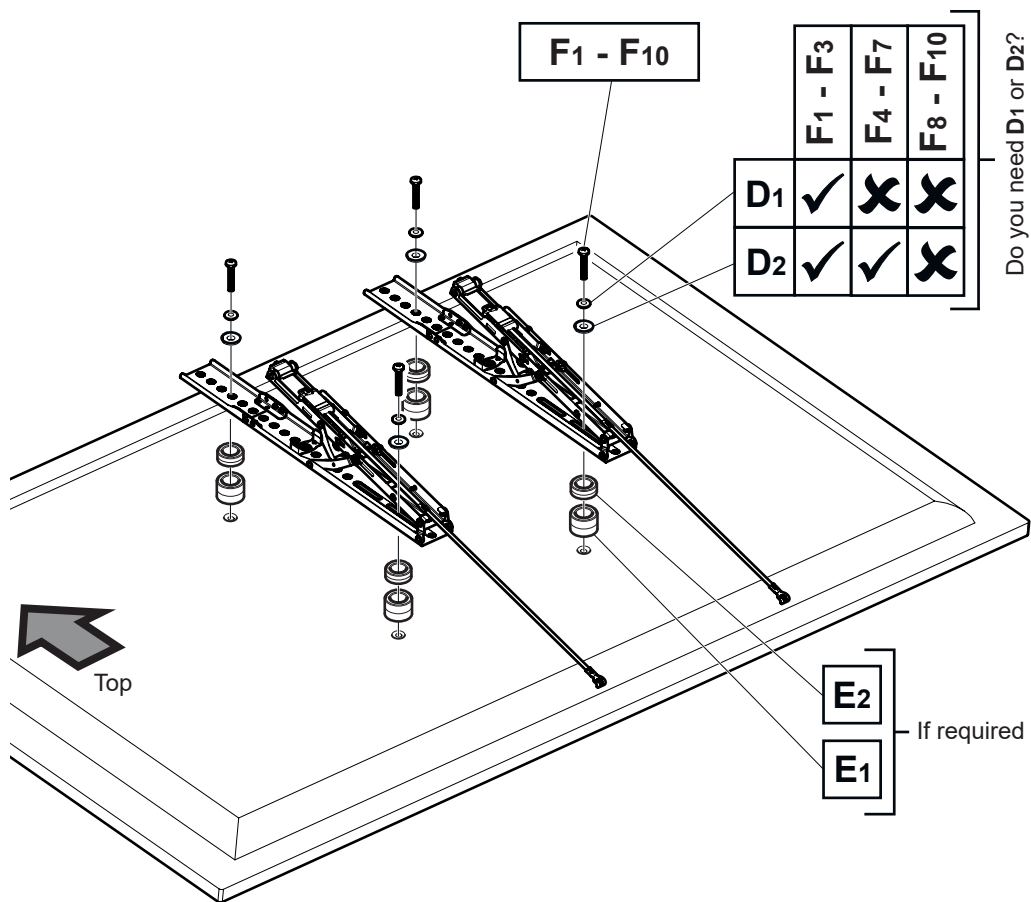


WARNING



If your TV has an irregular/obstructed back or if you have any issues fitting to the back of your TV with the supplied screws, please call the customer services helpline.

For easy access to some of the TV fixing holes, follow the procedure on the next page.

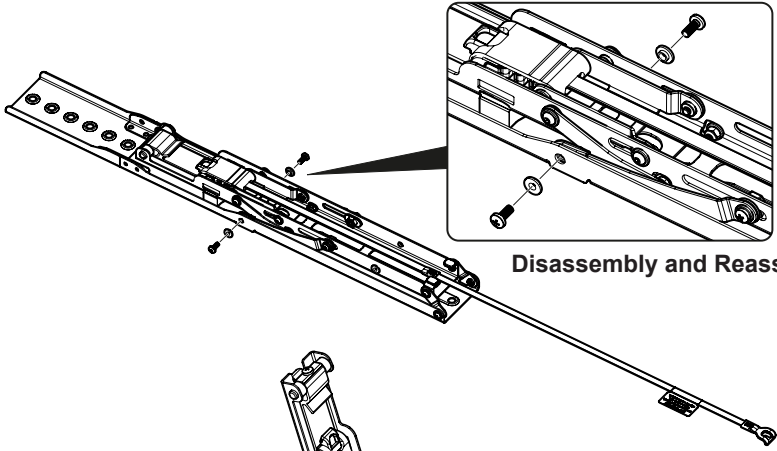


Attach the brackets to the back of your TV using suitable screw, reducer and spacer combinations.

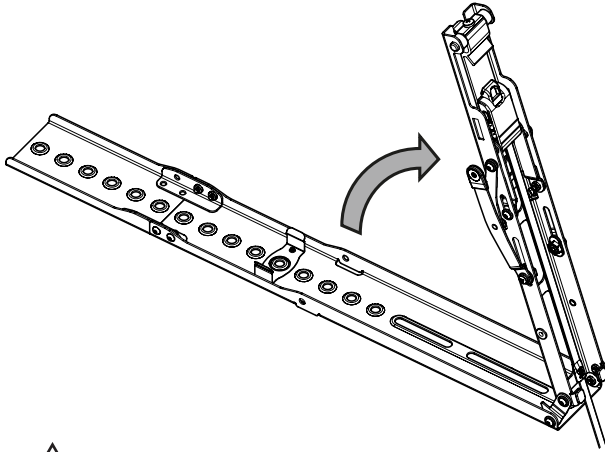


After completing step 3 you will have fixings left over, please keep for future reference.

Easy Access to TV Fixing Holes

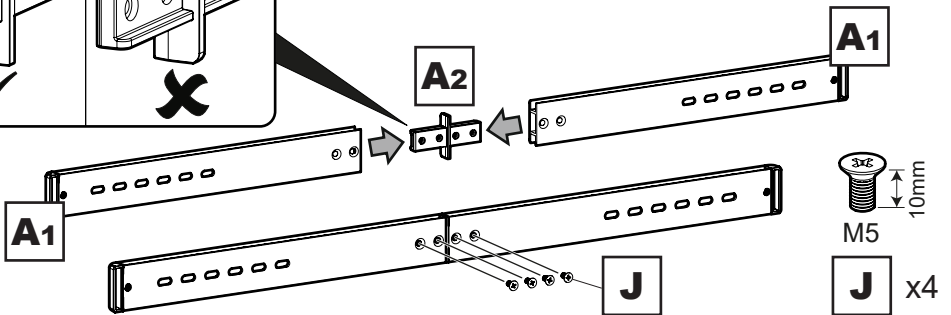
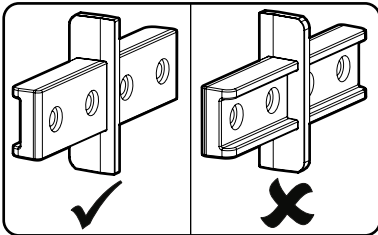


Disassembly and Reassembly



You must fully reassemble the TV Brackets when you have finished fixing them to the back of the TV.

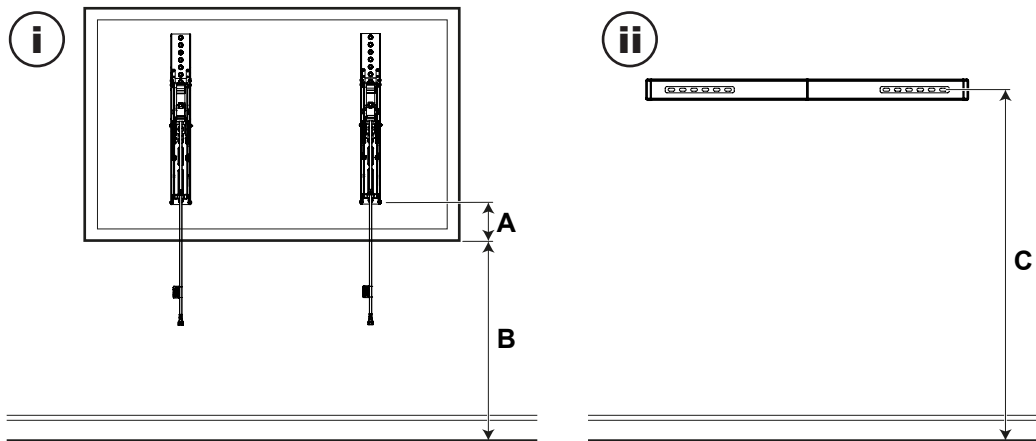
4 Preparing the Wall Rail



5 Marking Wall for Drill Points

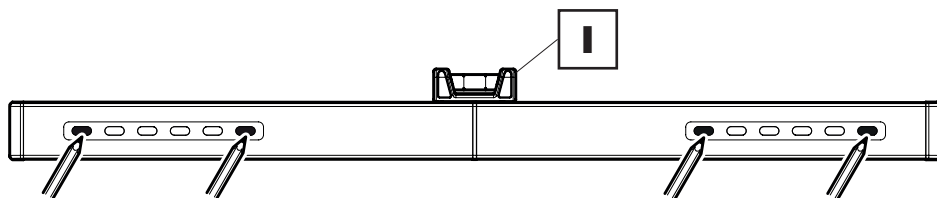
Before marking any drill points you will need to determine the wall type that you have, either **Solid Wall** or **Wood Stud Wall**. Ensure the drilling area is free from mains services (Gas / Electric / Water).

Use your Wall Rail as a template to mark the drill points.



- i** Measure, in mm, from the bottom of the TV Bracket to the bottom of your TV. This will give you **A**.
Decide at what height you want the bottom of the TV to be above the floor in mm. This will give you **B**.

- ii** To work out the correct height **C**, in mm, to mark the drill points, use the sum **C=A+B+370**.



If fixing to a solid wall use the four fixing holes shown.

If fixing to a wood stud wall you must place the Wall Rail so that it spans two wood studs.

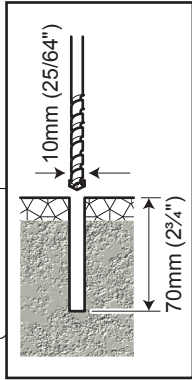
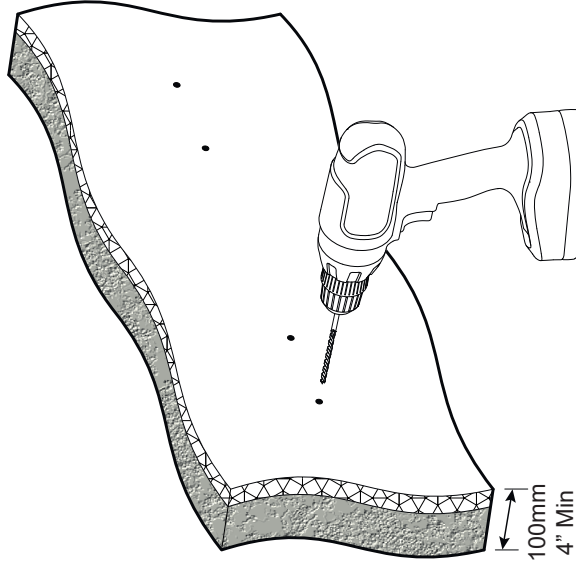
Ensure each screw is in the centre of each wood stud (only two screws required for wood stud installation).

Before you drill make sure you are happy with the position and ensure all markings are correct and level.

6

Fitting the Wall Rail

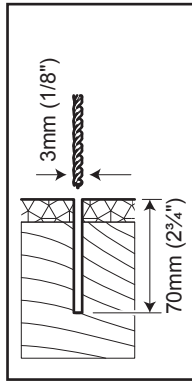
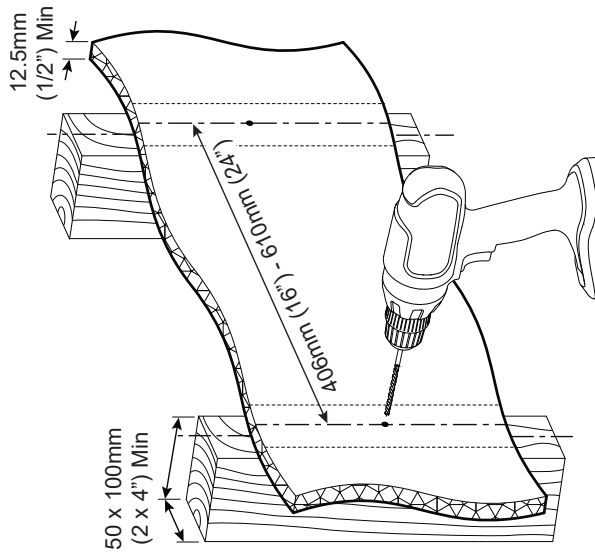
Solid Wall



Remove Dust from Holes.

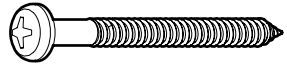
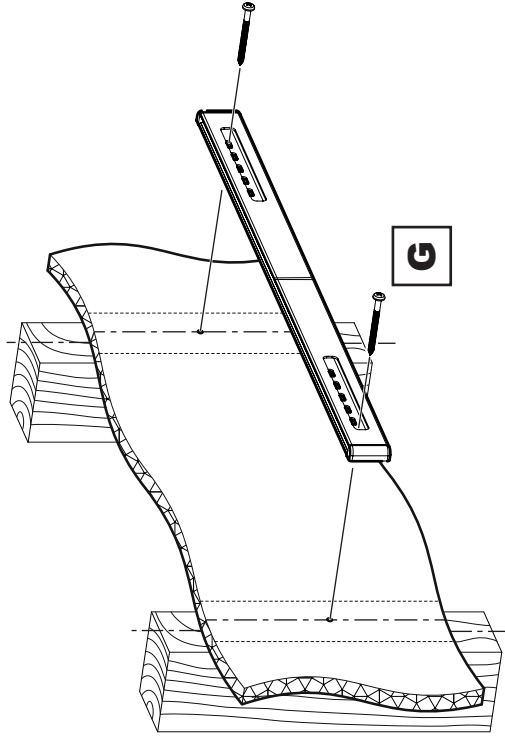


Wood Stud



Ensure you drill in the centre of the wood stud.





G x2

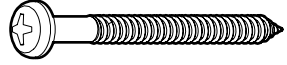
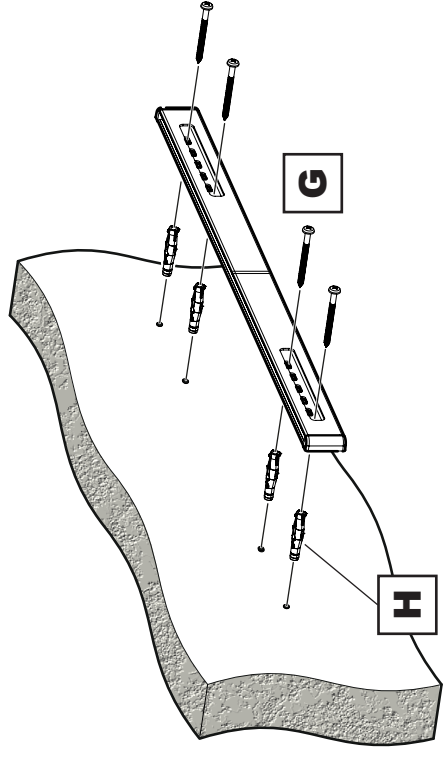


Lubricate screw thread with soap.

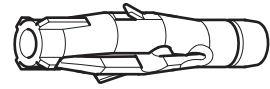
DO NOT overtighten screws.
Tighten screws by hand only.



DO NOT use wall plugs in a wood stud wall.



G x4



H x4

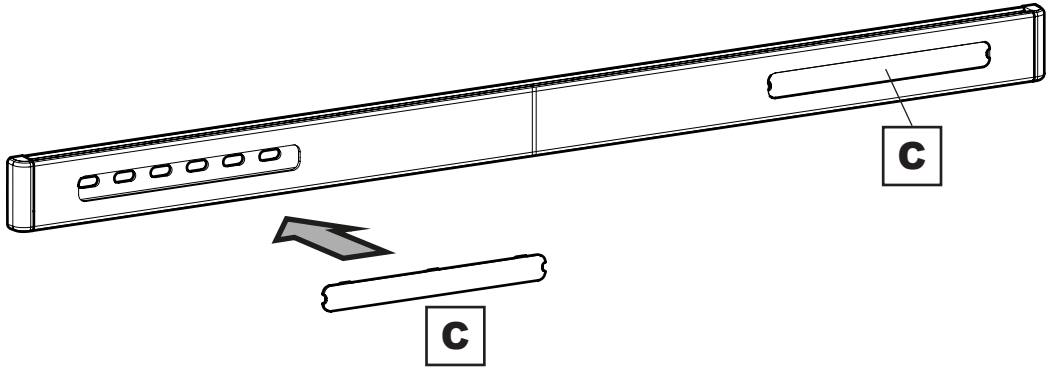


Lubricate screw thread with soap.

DO NOT overtighten screws.
Tighten screws by hand only



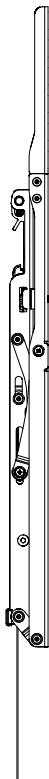
7 Fitting the Wall Rail Covers



8 Hanging the TV



Fully extend the TV Brackets before connecting the TV.



i

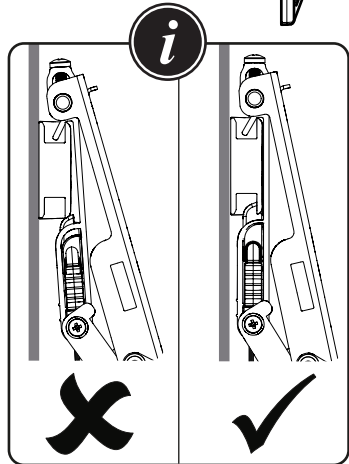
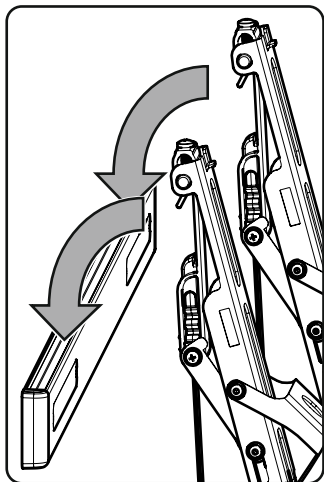


Extend Arm

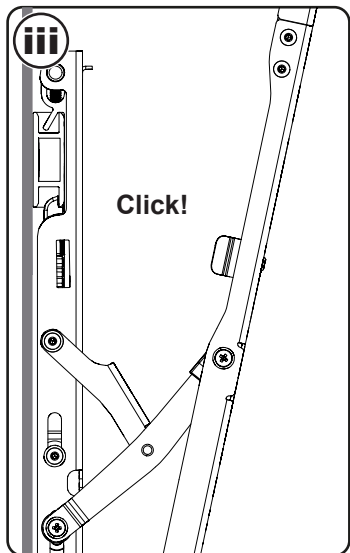
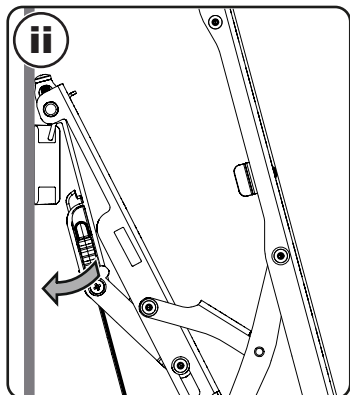
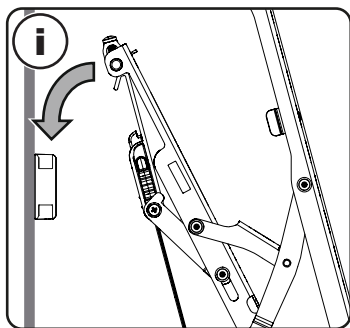
ii



Extend Catch



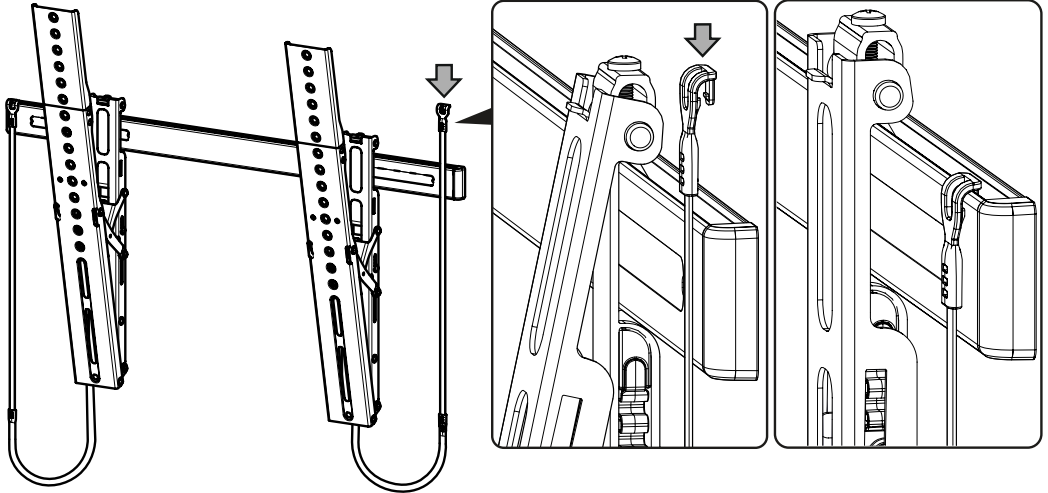
If the catch doesn't click into place when you connect your TV, pull the top of your TV forward to seat it correctly.



When the catch has clicked into place beneath the wall bracket your TV will be fully secured to the wall. You cannot accidentally unhook your TV.

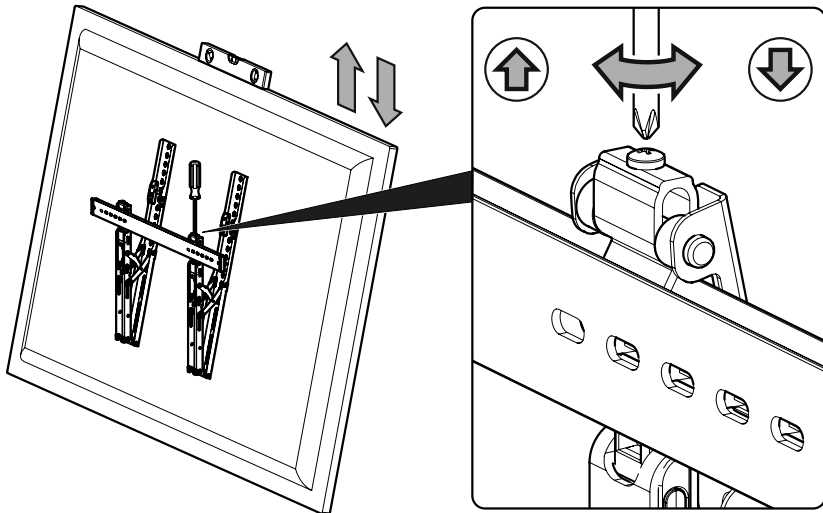
9

Hide the TV Release Cords



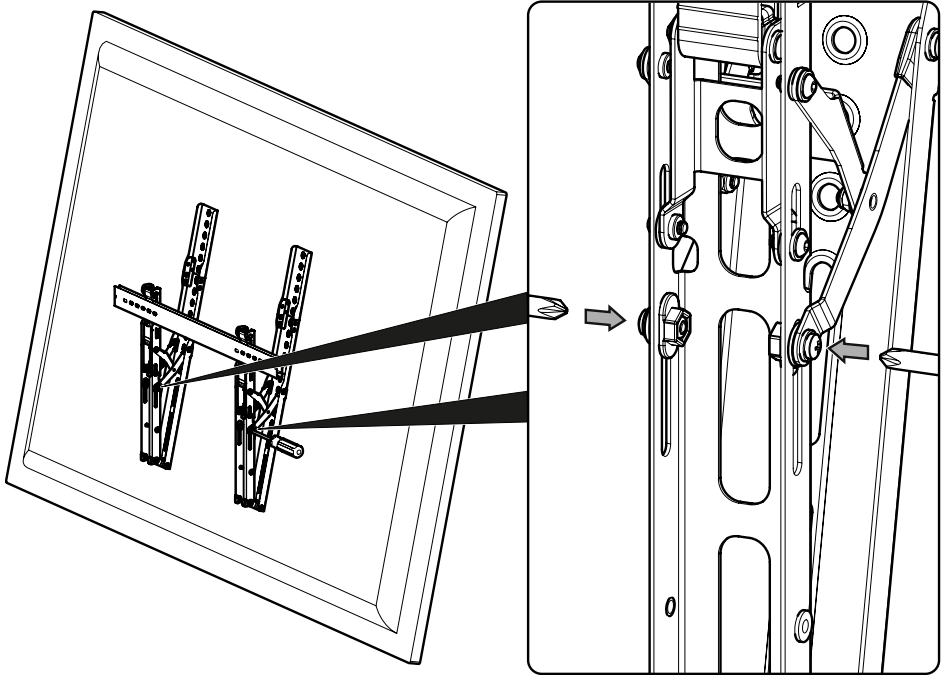
These cords are for removing the TV only. They **MUST** be positioned as shown, until required, to avoid accidental usage.

TV Levelling (optional)



If your TV needs levelling, only adjust the TV Levelling Screw on the low side of the TV. For example, if the left hand side of your TV is low, adjust the left hand TV Levelling Screw only, until your TV is level.

Adjust Tilt Resistance (optional)



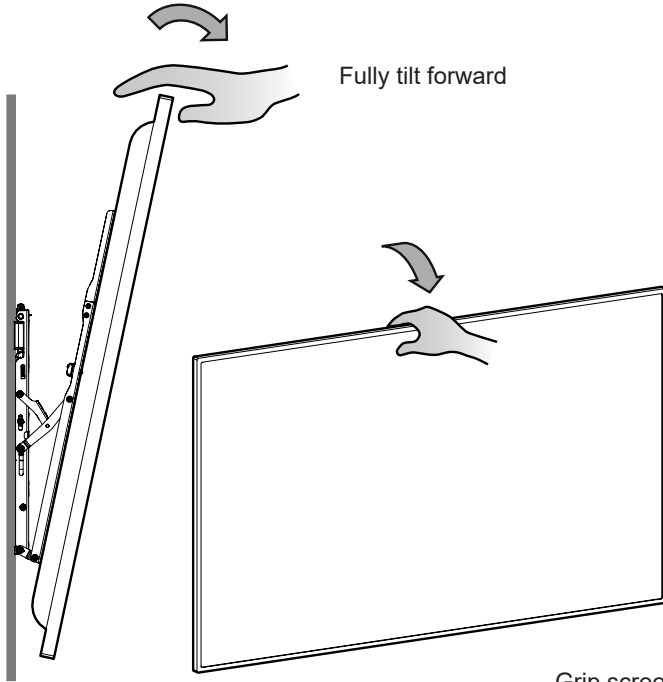
Adjust screws to achieve perfect tilt resistance if required. Ensure all screws are adjusted equally. You may need to remove the TV from the wall to gain easy access to the screws.

The installation of your TV Wall Mount is now complete.

The rest of this instruction leaflet is operation and adjustment advice for your TV Wall Mount. It is recommended that you keep these instructions in a safe place so you can refer to them at a later date if required.

To Remove the TV

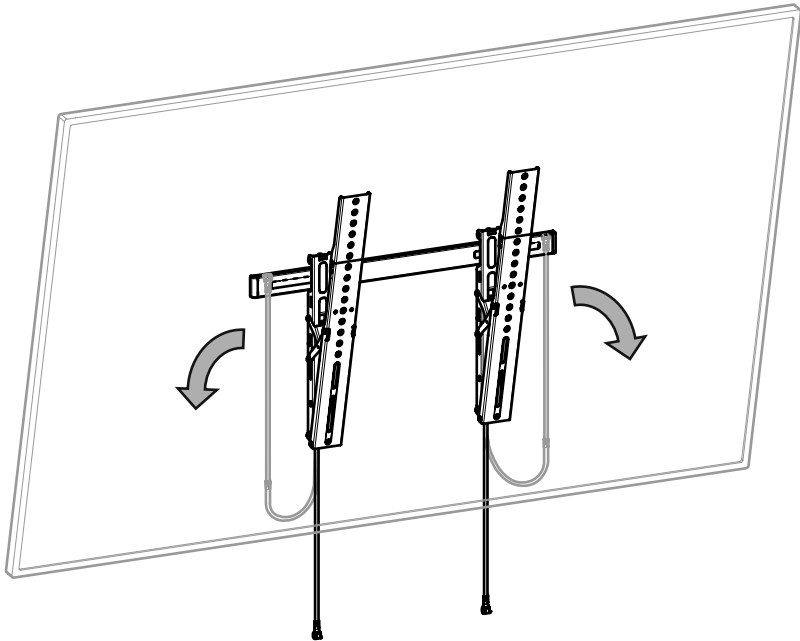
i

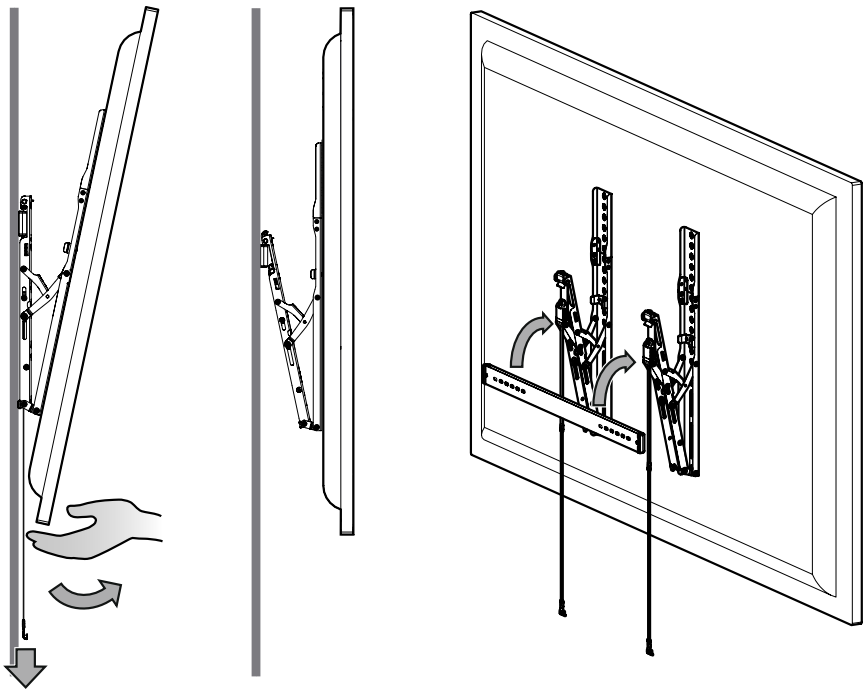


Grip screen centrally at top to tilt

ii

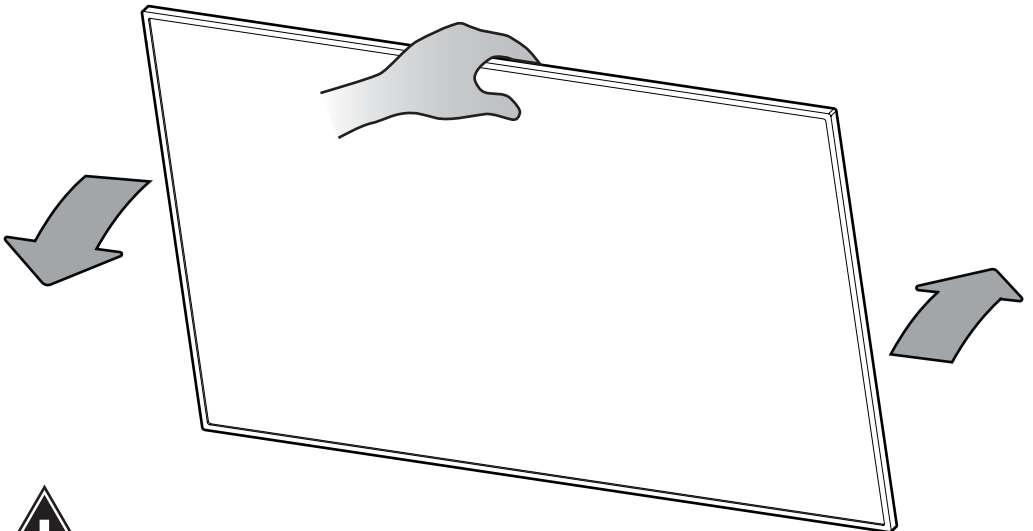
Unclip TV Release Cords from the Wall Rail.





Pull both TV release cords at the same time to unlock the TV. Pull the bottom of the TV away from the wall so the catch cannot re-engage. Lift and remove the TV from the Wall Bracket.

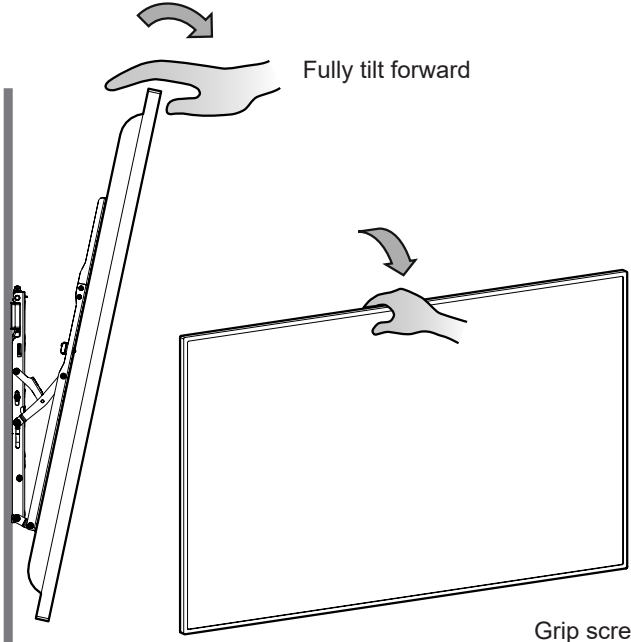
Tilt



Grip screen centrally at top to tilt

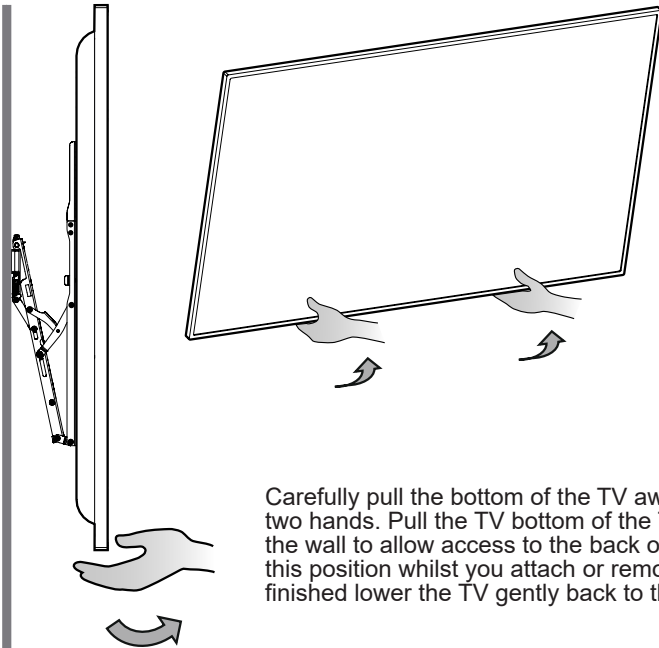
Cable Access

i



Grip screen centrally at top to tilt

ii



Carefully pull the bottom of the TV away from the wall using two hands. Pull the TV bottom of the TV far enough away from the wall to allow access to the back of the TV. Hold the TV in this position whilst you attach or remove any cables. When finished lower the TV gently back to the wall.