

PLASMA-M2000E

NEOMOUNTS FLOOR STAND

SPECIFICATIONS

GENERAL

Min. screen size*	37 inch
Max. screen size*	85 inch
Min. weight	0 kg (per screen)
Max. weight	125 kg (per screen)
Screens	1
VESA minimum	200x200 mm
VESA maximum	870x620 mm

FUNCTIONALITY

Type	Tilt
Height adjustment	115-185 cm
Tilt (degrees)	15°
Adjustment type	Manual

INFORMATION

Color	Black
Main material	Steel
Warranty	5 year
EAN code	8717371442903

*Please note: The inch sizes stated are just an indication, combined with the weight and VESA sizes. The maximum weight and VESA size are absolute restrictions for the products and should not be exceeded.



Neomounts Mobile TV Floor Stand for 37-85" screen, Height Adjustable - Black

The Neomounts floor stand, model PLASMA-M2000E is a mobile floor stand for flat screens up to 85" (216 cm). This mobile stand is a great choice for space saving placement or when wall-, ceiling mounting or desk placement is not an option. This cart stretches your investment by serving a variety of projection needs by sharing a large display over multiple rooms. Get optimal positioning for both standing and seated audiences, in any application, in any part of your location.

Neomounts versatile tilt (15°) technology allows the mount to change to any viewing angle to fully benefit from the capabilities of the flat screen. The mount is manually height adjustable from 115 to 185 centimetres. An innovative cable management conceals and routes cables from mount to flat screen. Hide your cables to keep the stand nice and tidy.

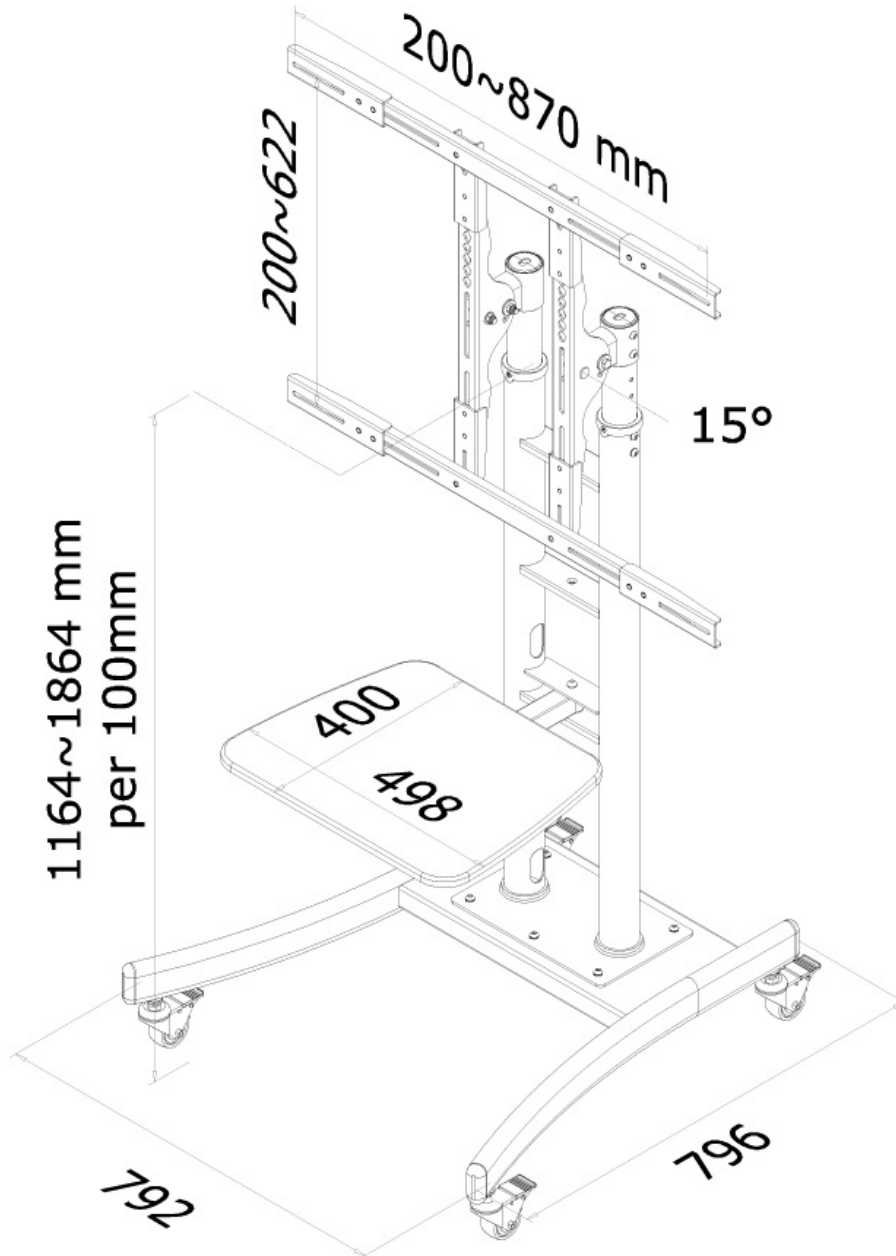
Neomounts' floor stand, PLASMA-M2000E holds your TV, AV equipment and even hides your cables. The trolley features four solid castor wheels, of which the two front wheels are equipped with a brake. The casters allow the stand to move it to where you need it. Easily roll this cart through doorways and over thresholds.

Neomounts PLASMA-M2000E has one pivot point and is suitable for screens up to 85" (216 cm). The weight capacity of this product is 125 kg each screen. The stand is suitable for screens that meet VESA hole pattern 200x200 to 870x620mm. Different hole patterns can be covered using Neomounts VESA adapter plates. Speedy assembly and installation.

All installation material is included with the product.

PLASMA-M2000E

NEOMOUNTS FLOOR STAND



Neomounts

Measuring unit: mm