



INCREASE MOUNTING PATTERNS TO VESA 900

BT7565

INTERFACE ADAPTOR ARMS FOR VESA® 900



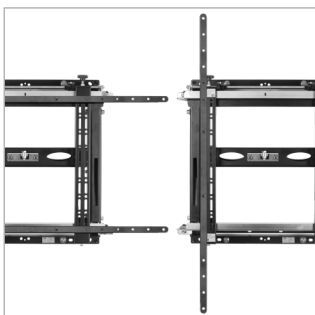
Designed to increase the VESA mounting pattern of smaller mounts to accommodate larger screens, the BT7565 allows VESA 200 or 400 fixings to be increased to VESA 600, 800 & 900. These adaptor arms are ultra-slim to keep the depth of the install to a minimum and can be used with a large variety of existing B-Tech flat screen mounts including System X interface arms. All mounting hardware included.

SPECIFICATION

VESA® compatibility	500, 600, 700, 800 & 900
Max load	dependent on mount to which the BT7565 is attached
Depth increase to the install	6mm
Colour	Black

FEATURES

- Allows VESA 200 or 400 fixings to be increased to VESA 500, 600, 700, 800 & 900
- Can be used for both landscape and portrait installations
- Adaptor arms are ultra-slim to keep the depth of the install to a minimum
- Can be used with a large variety of B-Tech products such as the BT8312, BT8310XL and System X™ Interface arms
- Easily fixes onto interface plates / arms using the screws provided
- TUV certified



Can be used to accommodate both landscape and portrait installations



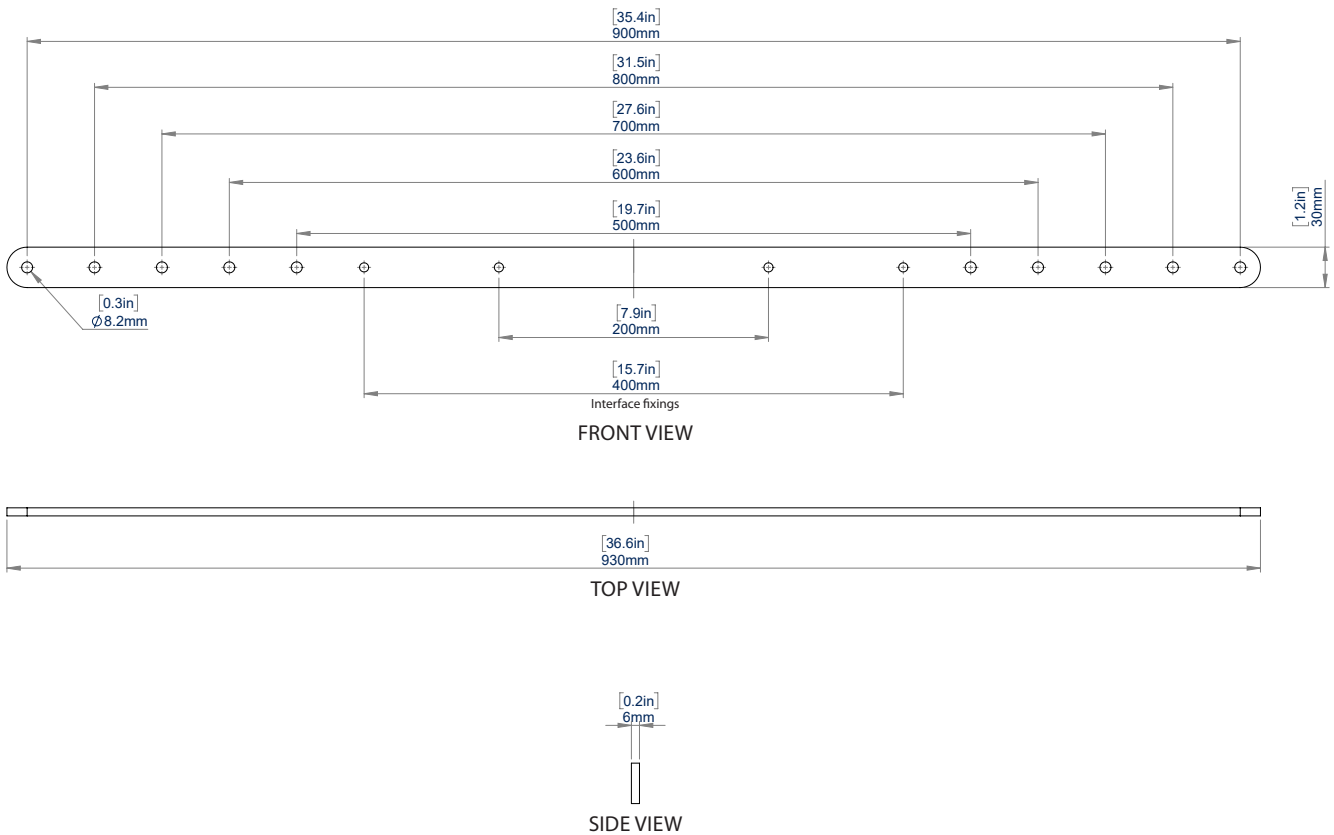
Adaptor arms are ultra-slim to keep the depth of the install to a minimum



Can be used with a large variety of existing B-Tech products such as the BT8310XL, BT8312 and System X™ Interface Arms



Easily fixes onto interface plates / arms using the screws provided



PACKING INFORMATION

COLOUR:	ORDER REF:	EAN CODE:	MASTER CARTON QTY:	INNER CARTON QTY:	MASTER CARTON WEIGHT:	MASTER CARTON CUBE
Black	BT7565/B V2	5019318071072	1	0	2kg	0.0003cbm

ACCESSORIES AND RELATED PRODUCTS



BT7564
Interface Adapter Arms
for VESA® 600 x 400



BT7540
Interface Adapter Arms
for VESA® 300 x 200 and 400 x 200



BT8390-VESA400MAF
VESA 400 Interface Arms with Micro-adjustment
mount medium - large sized video wall screens to BT8390 mounting rails



BT8310XL
Pop-Out Video Wall Mount for XL screens
up to 120kg

© 2015 B-Tech Av Mounts. All rights reserved. The information in this specification is subject to change without notice. B-Tech Av Mounts are registered trademarks of B-Tech International Design & Manufacturing Limited. B-Tech Av Mounts is a registered trademark of B-Tech Av Mounts. All other trademarks are the property of their respective owners. B-Tech Av Mounts is not responsible for any damage caused by improper or unauthorized use of the product. B-Tech Av Mounts is not responsible for any damage caused by the use of the product. B-Tech Av Mounts is not responsible for any damage caused by the use of the product. B-Tech Av Mounts is not responsible for any damage caused by the use of the product.

SS-V1-BT7565 V2-280922