

msi

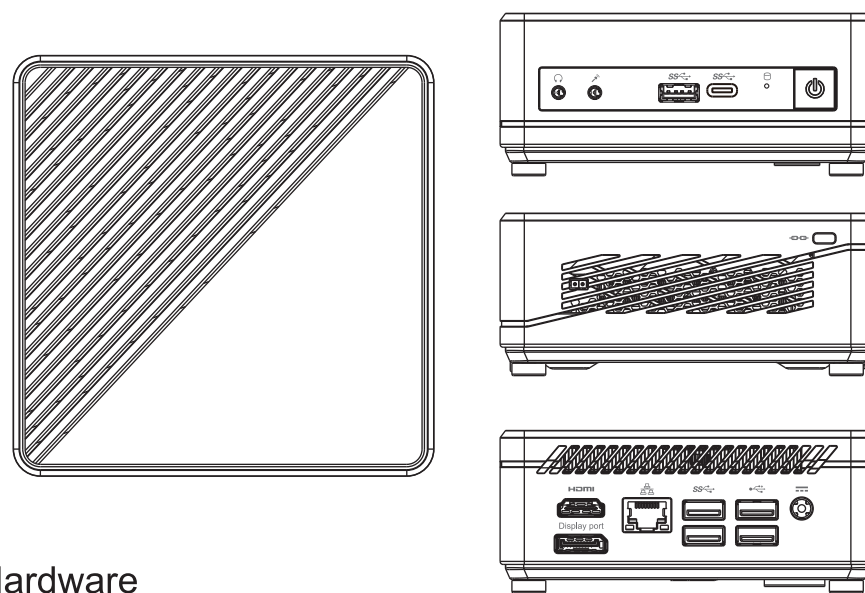
Cubi

The energy efficient Mini-PC

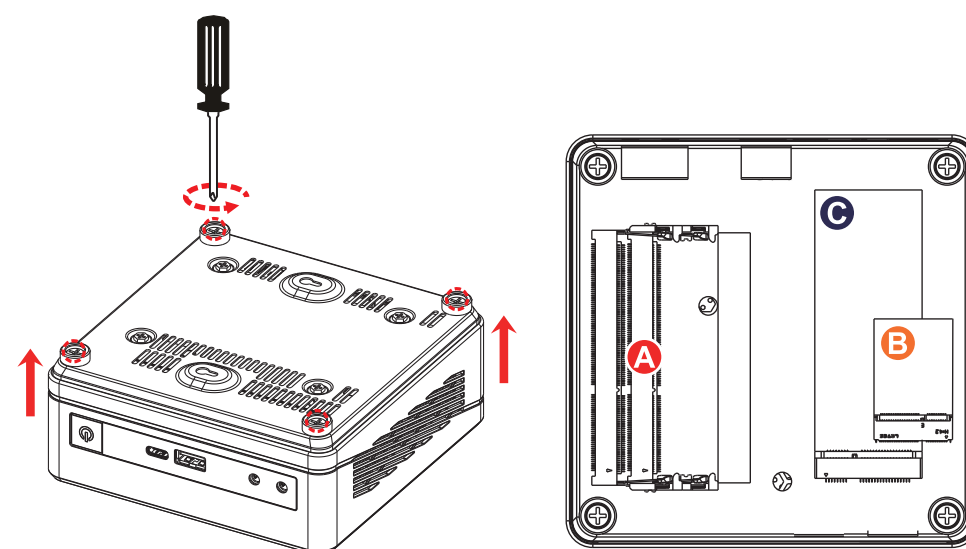


G52-B1832X5

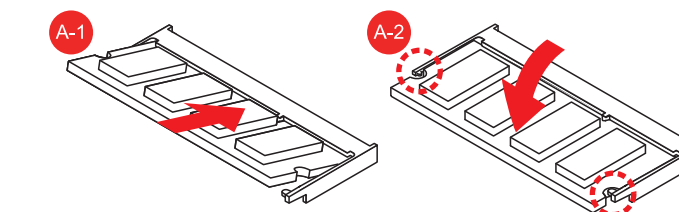
Overview



Hardware

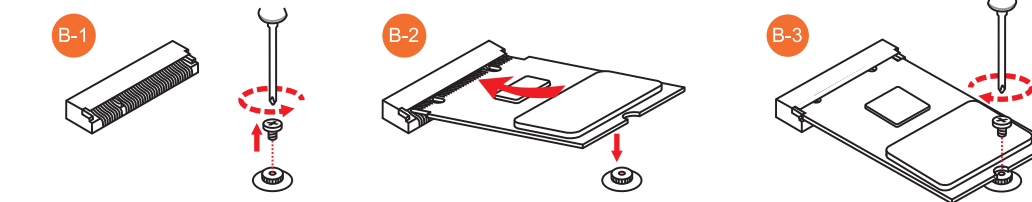


A DDR

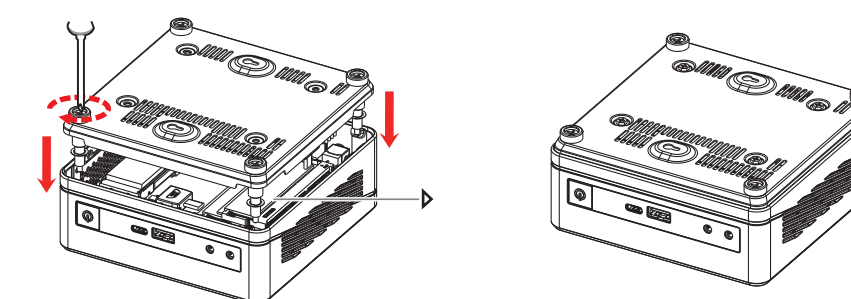
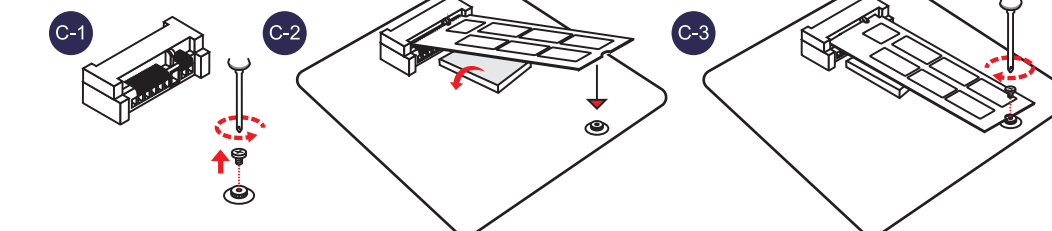


Memory Installation Combination		
Solution 1	DIMM1	-
Solution 2 (optional)	DIMM1	DIMM2

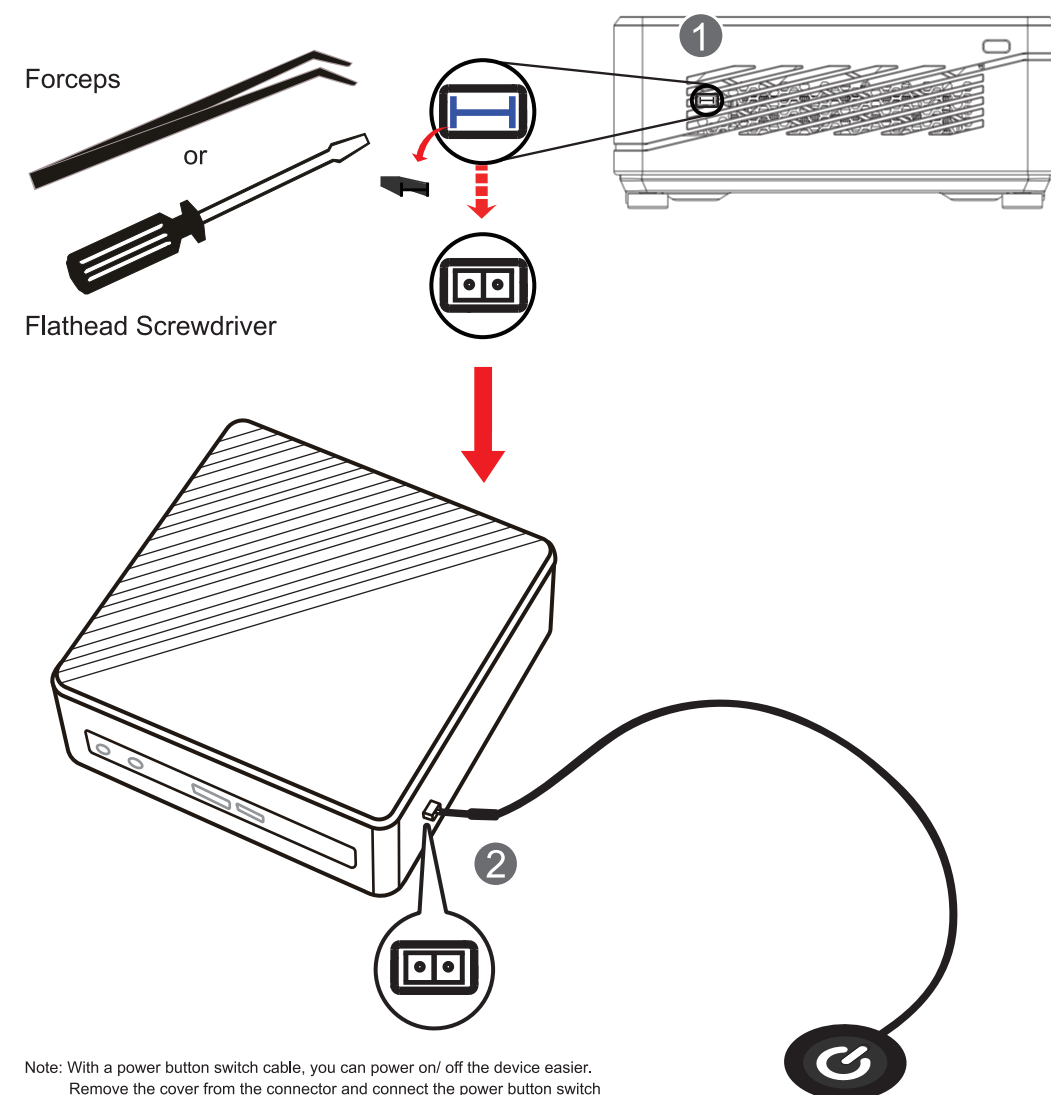
B (Wi-Fi)



C M.2 SSD

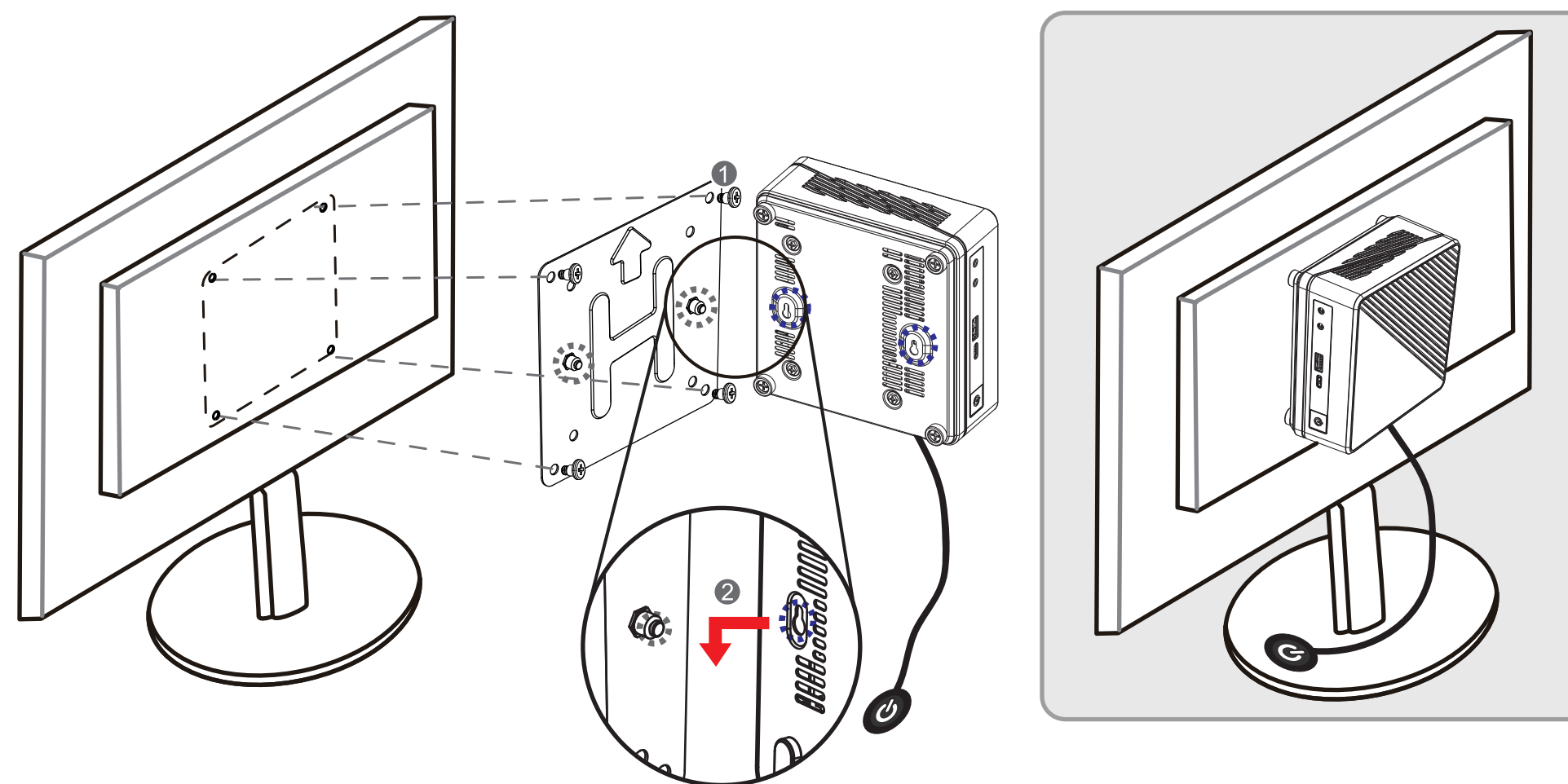


Connect Power Button Switch Cable (optional)



Note: With a power button switch cable, you can power on/off the device easier. Remove the cover from the connector and connect the power button switch cable to this connector.

VESA



Warranty
Please scan the QR code for product warranty registration.

* Please refer to the following link or scan the QR code for product warranty registration.
<https://account.msi.com/services/warranty-book>