

FL15-625BL1

SPECIFICATIONS

GENERAL

| | |
|-------------------|-------------------|
| Min. screen size* | 7.9 inch |
| Max. screen size* | 11 inch |
| Max. weight | 1 kg (per screen) |
| Screens | 1 |

FUNCTIONALITY

| | |
|------------------|---------------------------------------|
| Type | Tilt Rotate |
| Tilt (degrees) | +20°, -110° |
| Rotate (degrees) | 360° |
| Height | 123,8 cm |
| Width | 22 cm |
| Depth | 30 cm |
| Adjustment type | Manual |
| Lockable | Lockable - Security screw included |

INFORMATION

| | |
|---------------|---------------|
| Color | Black |
| Main material | Steel |
| Warranty | 5 year |
| EAN code | 8717371449797 |

*Please note: The inch sizes stated are just an indication, combined with the weight and VESA sizes. The maximum weight and VESA size are absolute restrictions for the products and should not be exceeded.

NEOMOUNTS TABLET FLOOR STAND



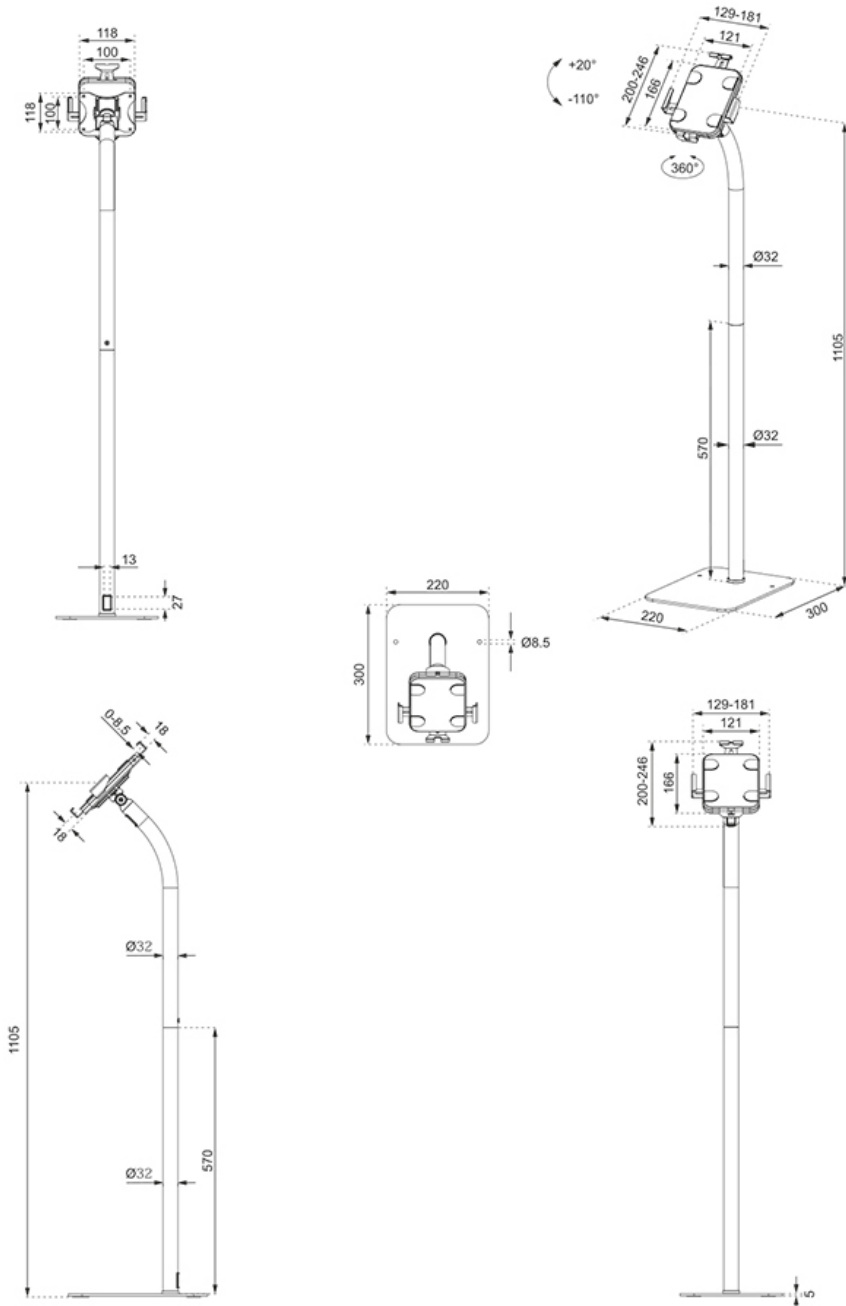
Neomounts FL15-625BL1 tilt- and rotatable tablet floor stand for 7,9-11" tablets - Black

The Neomounts FL15-625BL1 is a tablet floor stand that can rotate 360° to easily switch between portrait and landscape orientation. Additionally, the tablet holder can be tilted +20°/-110° for comfortable viewing. Using the sliding rail at the back, the tablet can be perfectly aligned in the centre of the holder.

The floor stand features an anti-theft lock and a bolt-down base for extra security. Anti-skid pads protect the tablet from any scratches, while the height and width adjustable clamps ensure safe and solid placement of the device. The upper part has a cutout for the tablet's camera. Cables can be neatly routed via the internal cable management system. The FL15-625BL1 is suitable for tablets with a thickness of 0-8,5 mm.

FL15-625BL1

NEOMOUNTS TABLET FLOOR STAND



Neomounts

Measuring unit: mm