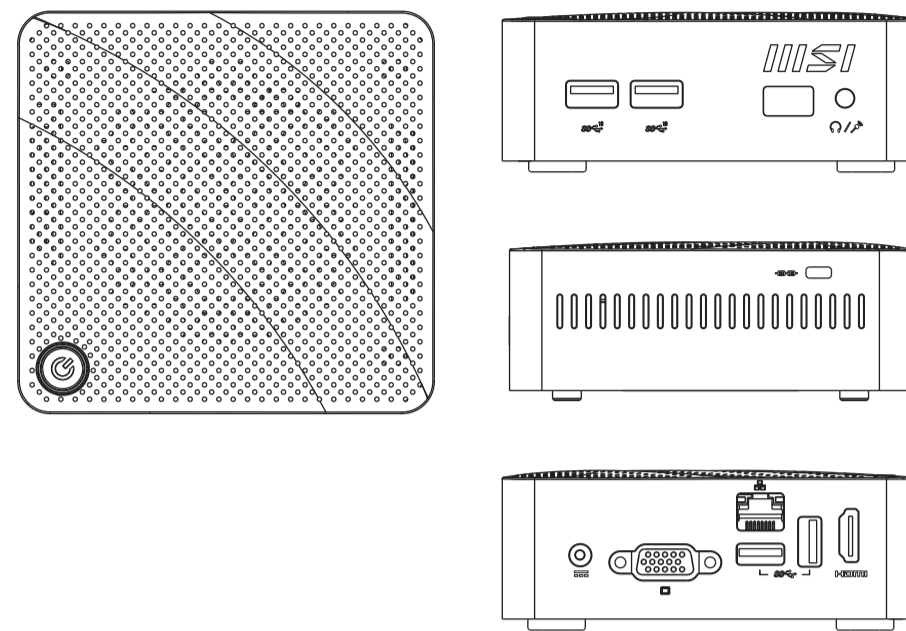


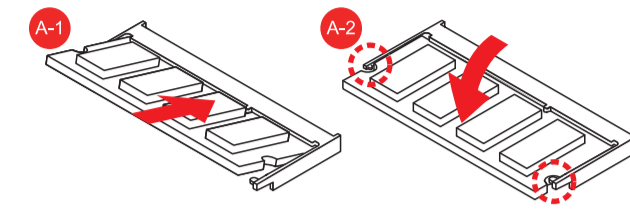


QUICK GUIDE

Overview

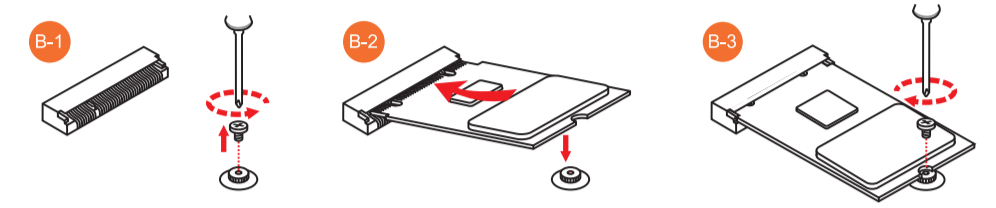


A DDR

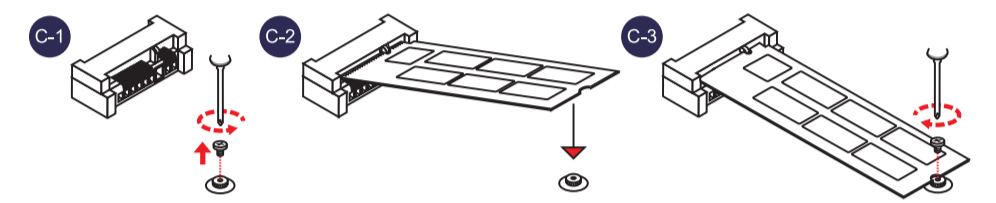


Memory Installation Combination		
Solution 1	DIMM1	-
Solution 2 (optional)	DIMM1	DIMM2

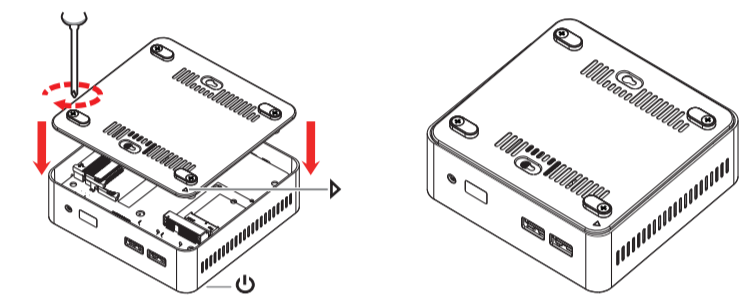
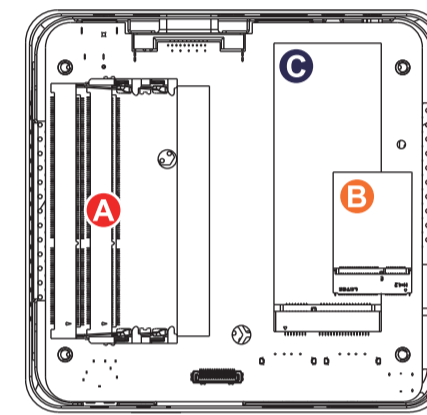
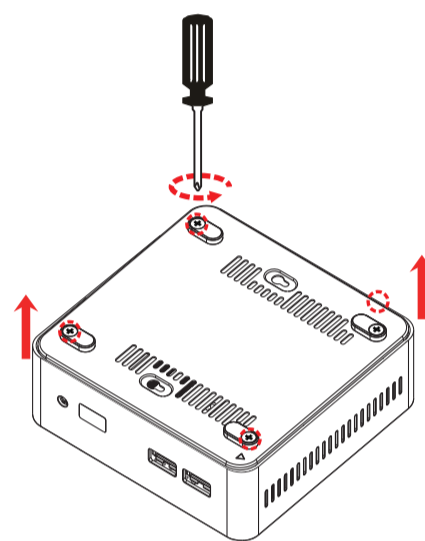
B (Wi-Fi)



C M.2 SSD



Hardware



Note: Do not install M.2 SSD and HDD together in Cubi. For M.2 SSD installation, use the thin bottom cover to close Cubi. For HDD installation, use the thick bottom cover to close Cubi.



MSI.COM



MSI
GLOBAL YOUTUBE

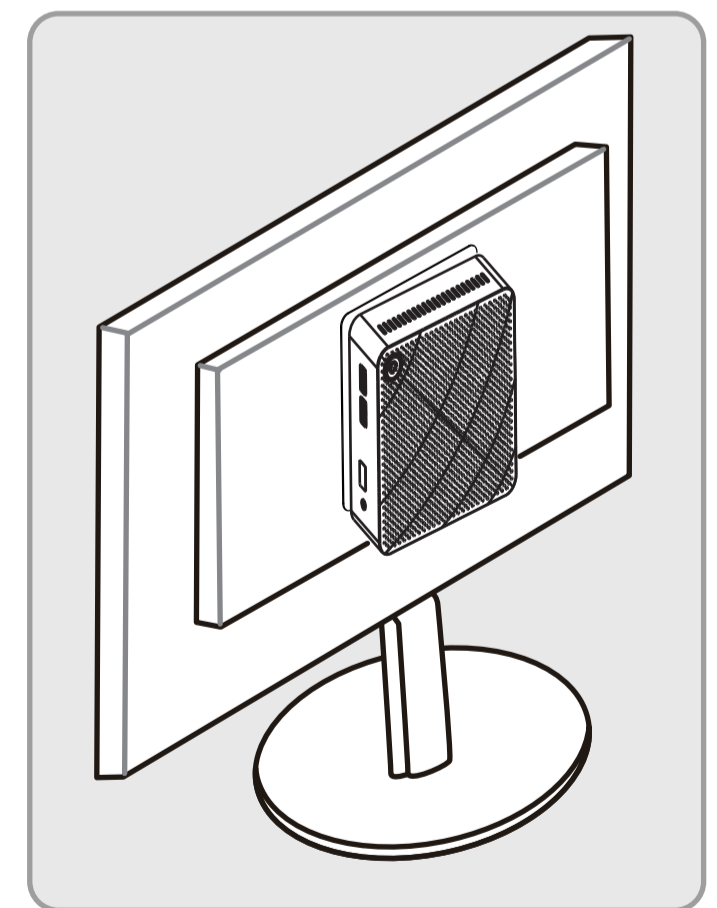
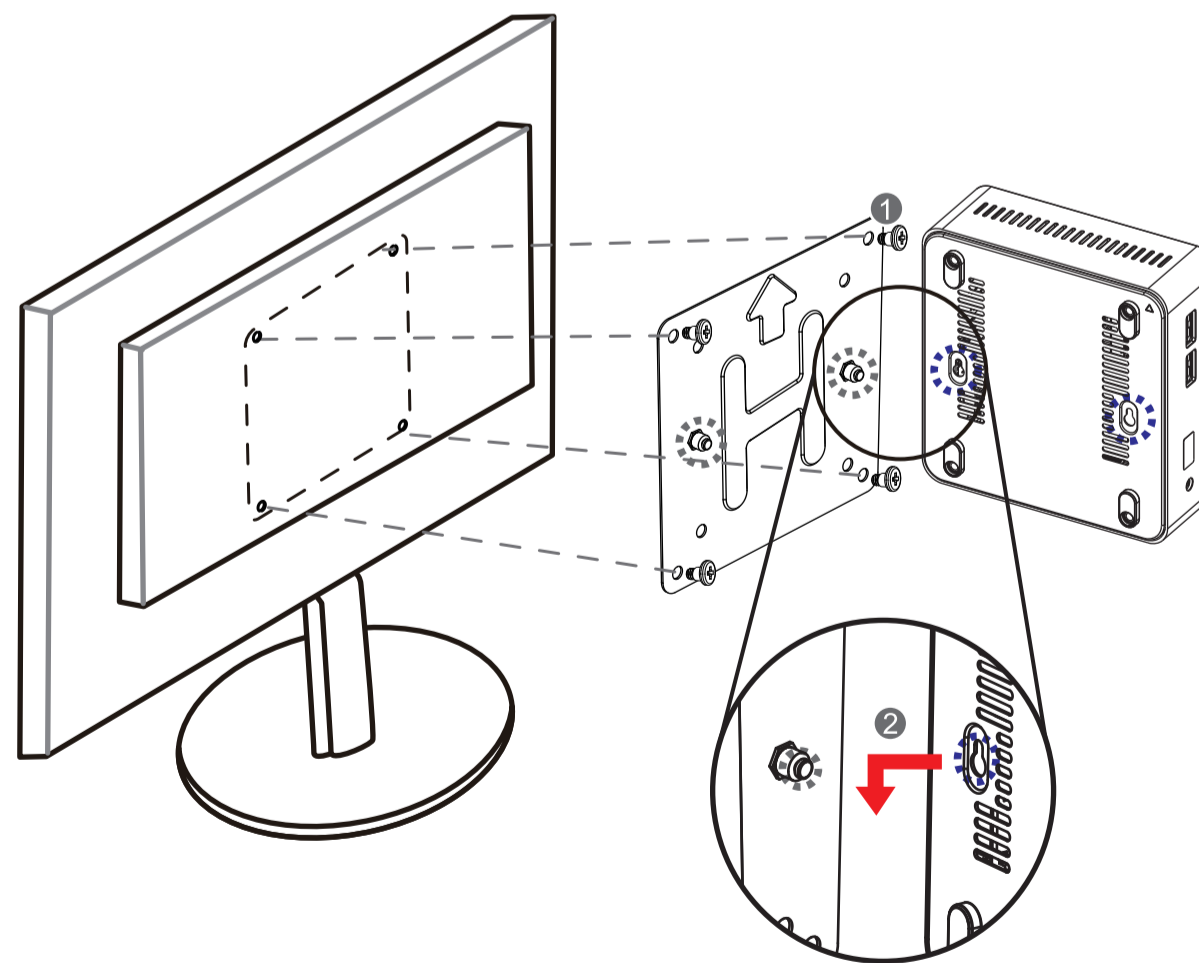


MSI
INSTAGRAM

條紋碼位置

Part NO:G52-B0A12X2

VESA



Warranty
Please scan the QR code
for product warranty
registration.

* Please refer to the following link or scan the QR code for product warranty registration.
<https://account.msi.com/services/warranty-book>