

# Freezer 36

Multi Compatible Tower CPU Cooler



## General Specifications

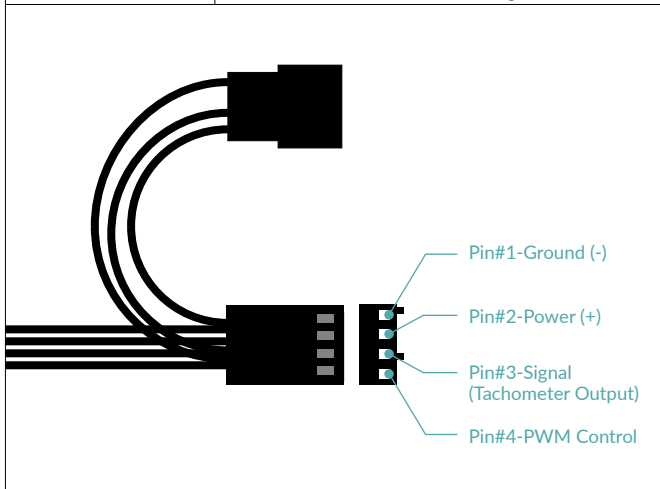
Compatibility	Intel® LGA1851   LGA1700 AMD® AM5   AM4
PI   NNPI	250   234
TIM	MX-6 (0.8g)
Warranty	6 Years
Operating Ambient Temperature	0-40°C
Dimensions	104 (L) x 126 (W) x 159 (H) mm
Weight	890g

## Heatsink Specifications

Heatpipes	4x 6 mm Ø, Copper
Finnstack	59x 0.4 mm, Aluminium

## Fan Specifications

General	2x P12 PWM PST
Speed	200-1800rpm, PWM Controlled (0rpm below 5% PWM)
Bearing	Fluid Dynamic Bearing
Current   Voltage	0.10A   12VDC
Cable Length	200mm + 80mm Splitter Cable
Connector	4-Pin PWM-Connector + 4-Pin Plug



## Shipping Information - Freezer 36

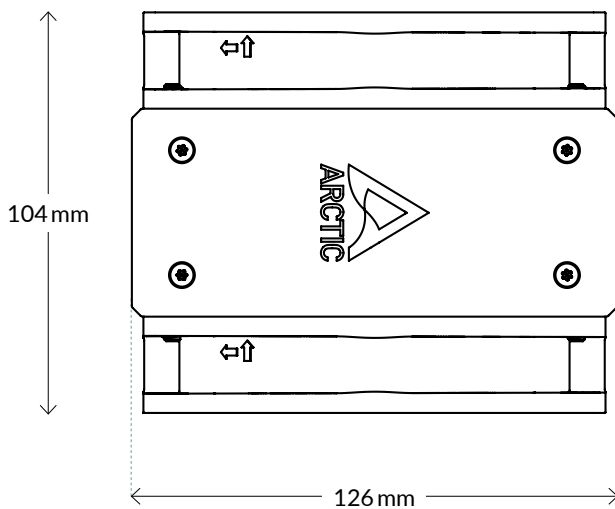
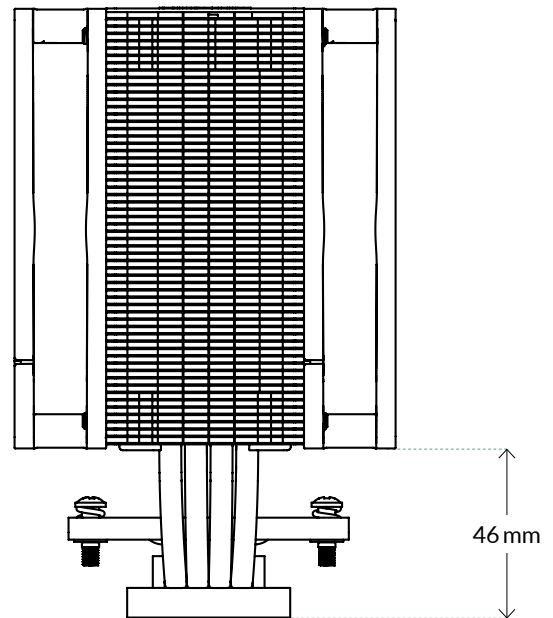
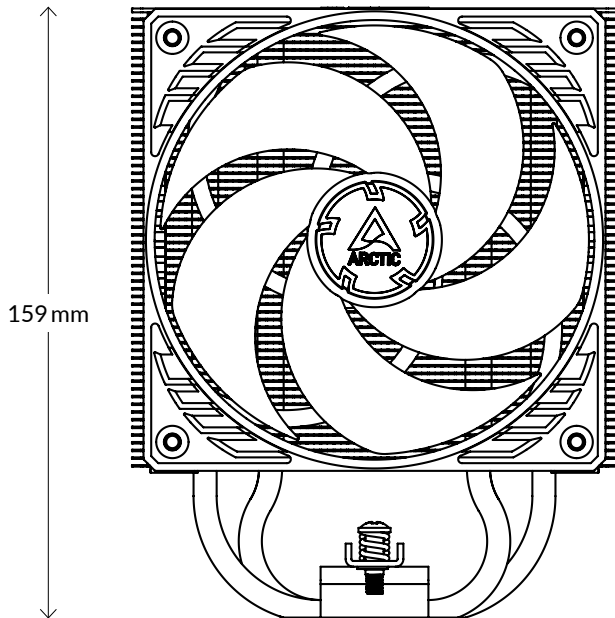
Box Dimension	190 (L) x 186 (W) x 117 (H) mm
Gross Weight	1230g
SKU	ACFRE00121A
EAN	4895213704120
UPC	840033401937

## Shipping Information - Freezer 36 (Black)

Box Dimension	190 (L) x 186 (W) x 117 (H) mm
Gross Weight	1230g
SKU	ACFRE00123A
EAN	4895213704144
UPC	840033401951

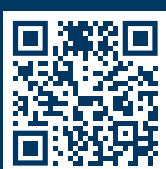
# Freezer 36

Multi Compatible Tower CPU Cooler



All materials are compatible with RoHS requirements.

MORE INFORMATION



MANUALS

