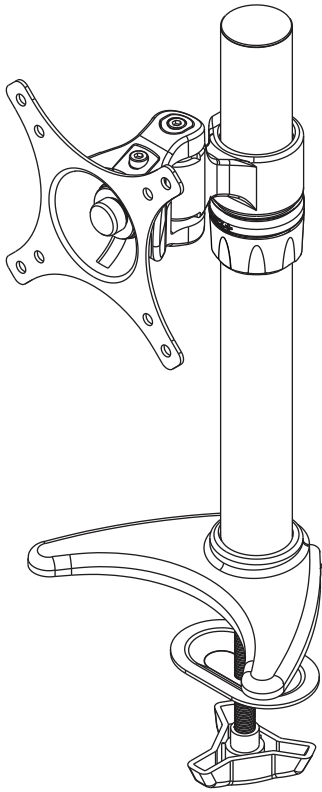


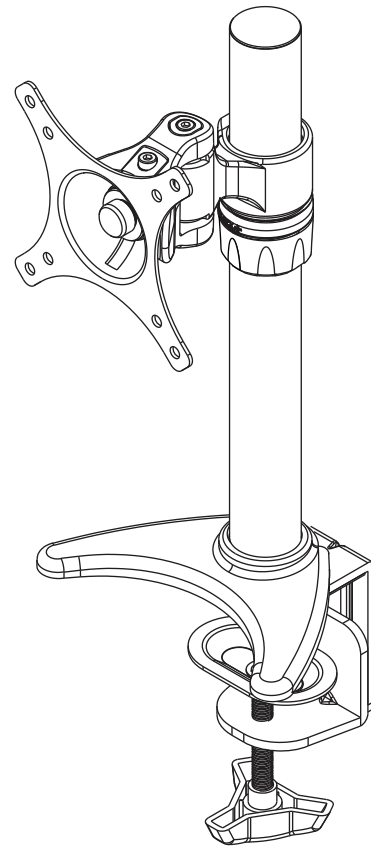


Installation and Assembly: Desktop Mount with Desk Clamp and Grommet for 19" - 30" LCD Screens

Models: LCT100S



GROMMET INSTALLATION



DESK CLAMP INSTALLATION

Max Load Capacity: 20 lbs (9 kg)

NOTE: Read entire instruction sheet before you start installation and assembly.

⚠ WARNING

- Do not begin to install your Peerless product until you have read and understood the instructions and warnings contained in this Installation Sheet. If you have any questions regarding any of the instructions or warnings, please call Peerless customer care at 1-800-865-2112.
- This product should only be installed by someone of good mechanical aptitude, has experience with basic building construction, and fully understands these instructions.
- Make sure that the supporting surface will safely support the combined load of the equipment and all attached hardware and components.
- Never exceed the Maximum Load Capacity. See page 1.
- Always use an assistant or mechanical lifting equipment to safely lift and position equipment.
- Tighten screws firmly, but do not overtighten. Overtightening can damage the items, greatly reducing their holding power.
- This product is intended for indoor use only. Use of this product outdoors could lead to product failure and personal injury.

Tools Needed for Assembly

- phillips screwdriver
- drill
- 7/16" (11 mm) drill bit

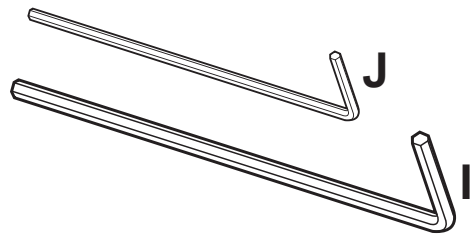
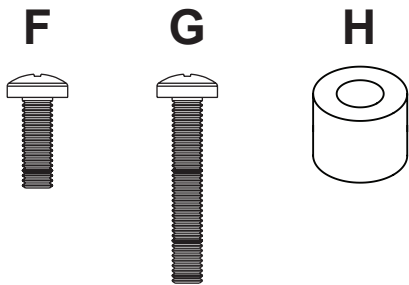
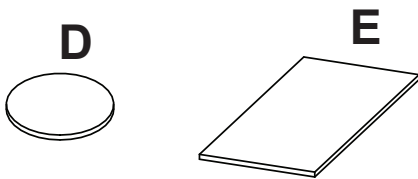
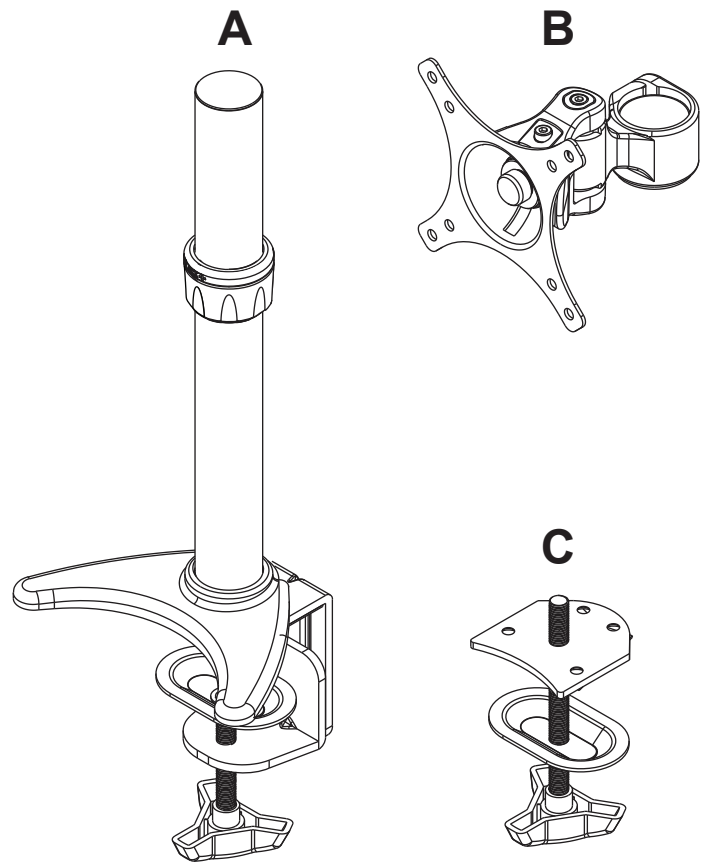
Table of Contents

Parts List.....	3
Installation to Mounting Surface	4
Attaching Adapter Plate Assembly to Screen	5
Cable Management	6

Before you begin, make sure all parts shown are included with your product.

Parts List		
	Description	Qty
A	column assembly	1
B	adapter plate assembly	1
C	grommet assembly	1
D	round rubber pads	2
E	square rubber pads	2
F	M4 x 12 mm phillips screw	4
G	M4 x 25 mm phillips screw	4
H	spacer	4
I	4 mm allen wrench	1
J	2.5 mm allen wrench	1
K	cable clip	1
L	cable tie	5

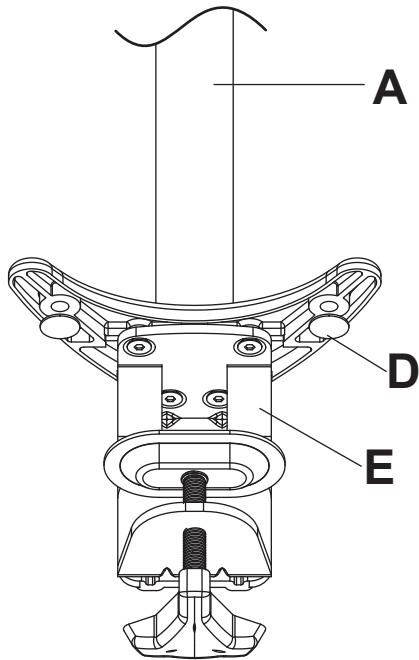
Parts may appear slightly different than illustrated.



Clamp Installation Method

- 1 Apply four rubber pads (**D**, **E**) to bottom of column assembly (**A**) as shown below. Attach column assembly (**A**) to mounting surface with a maximum thickness of 3".

Skip to step four.



Grommet Installation Method

- 1 Remove clamp assembly from column assembly (**A**) as shown in figure 1.1. Remove mounting plate from grommet assembly (**C**) and attach to column assembly (**A**) with four M6 x 8 mm screws using 4mm allen wrench (**I**) as shown in figure 1.2.

fig. 1.1

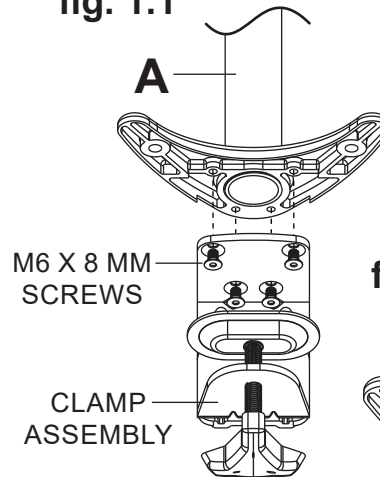
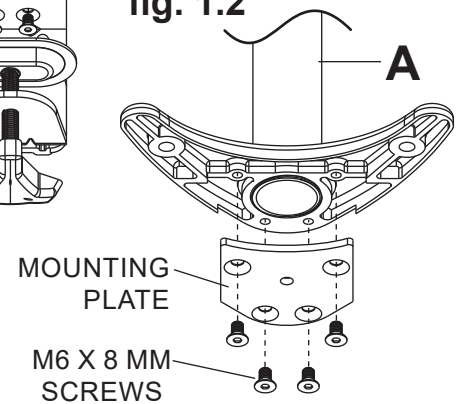
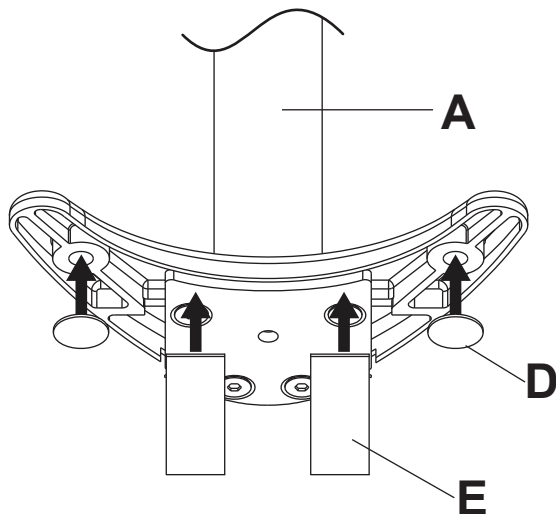


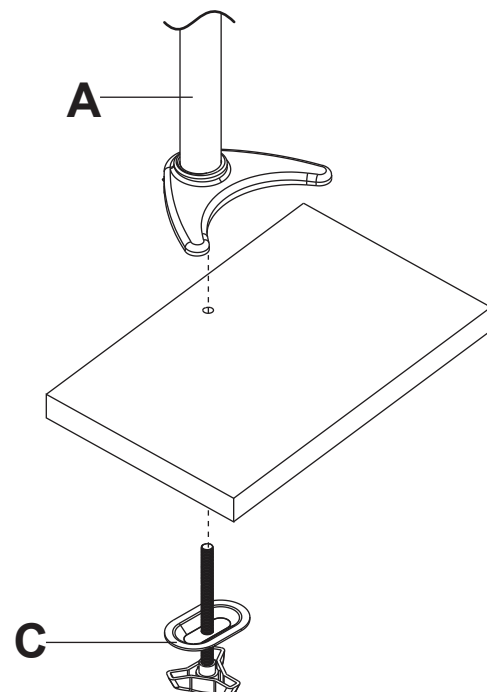
fig. 1.2



- 2 Apply four rubber pads (**D**, **E**) to bottom of column assembly (**A**) as shown below.



- 3 Drill a 7/16" (11mm) dia. hole through mounting surface with a maximum thickness of 3". Place column assembly (**A**) on mounting surface and secure using grommet assembly (**C**).



Attaching Adapter Plate Assembly to Screen

⚠ WARNING

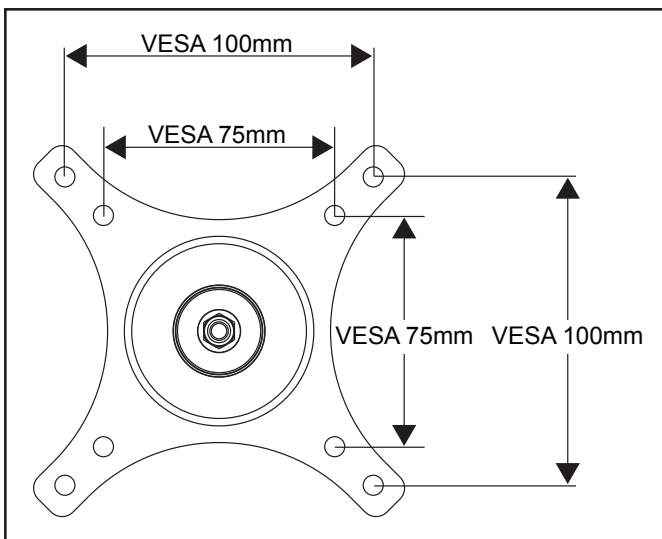
- Tighten screws so adapter plate assembly is firmly attached. Do not tighten with excessive force. Overtightening can cause stress damage to screws, greatly reducing their holding power and possibly causing screw heads to become detached. Tighten to 40 in. • lb (4.5 N.M.) maximum torque.
- If screws don't get three complete turns into the screen inserts or if screws bottom out and plate is still not tightly secured, damage may occur to screen or product may fail.

4 To prevent scratching the screen, set a cloth on a flat, level surface that will support the weight of the screen. Place screen face side down. If screen has knobs on the back, remove them to allow the adapter plate assembly to be attached. Place adapter plate assembly (**B**) on back of screen.

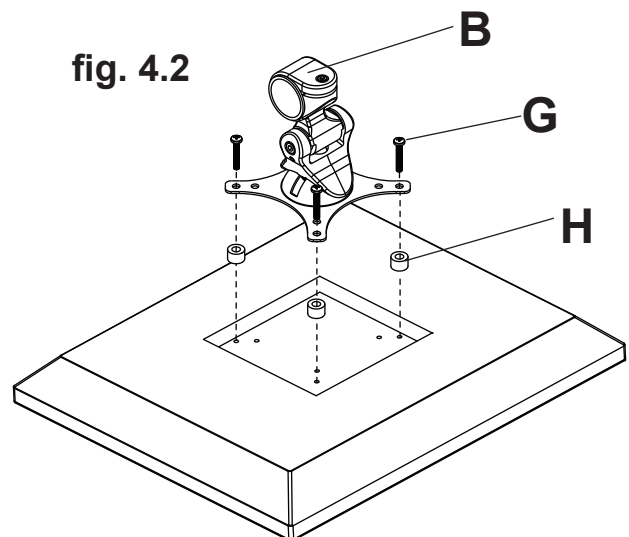
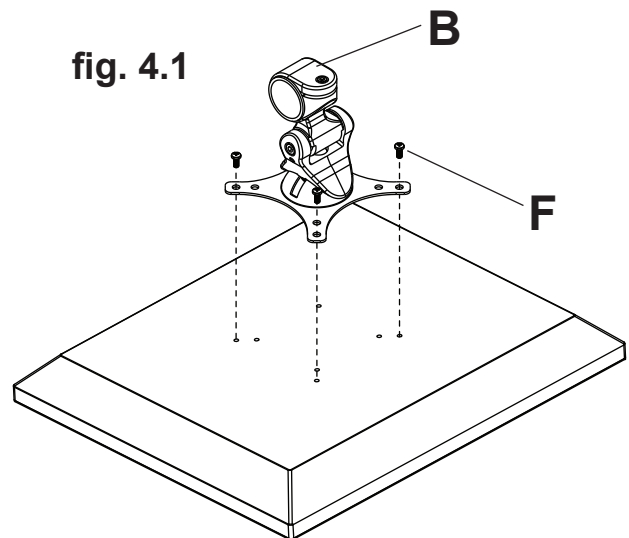
Choose hole pattern as shown in detail 1.

FOR DISPLAYS WITH FLAT BACKS: Attach adapter plate assembly (**B**) to display using four 12mm screws (**F**) as shown in figure 4.1.

FOR DISPLAYS WITH RECESSED BACKS: Attach adapter plate assembly (**B**) to display using four 25mm screws (**G**) and four spacers (**H**) as shown in figure 4.2.



DETAIL 1



- 5** Loosen and position lock collar to desired height and retighten lock collar as shown in figure 5.1.
Insert adapter plate assembly (B) onto column assembly (A) and let it rest on lock collar as shown in figure 5.2.
Tighten set screw on rear of adapter plate assembly (B) using 2.5mm allen wrench (J) as shown in figure 5.3.

fig. 5.1

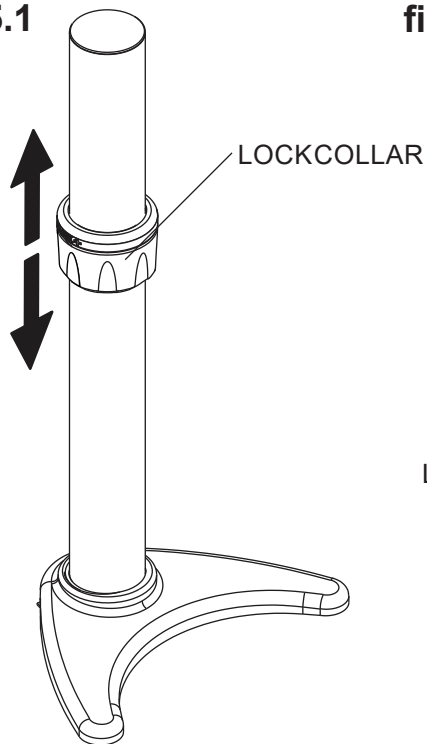


fig. 5.2

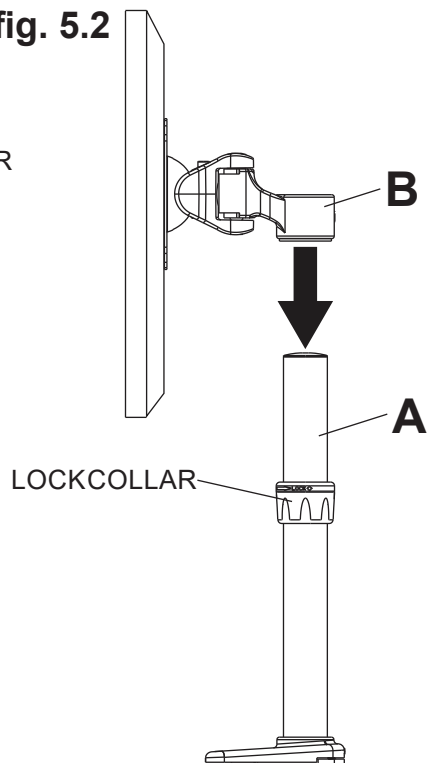
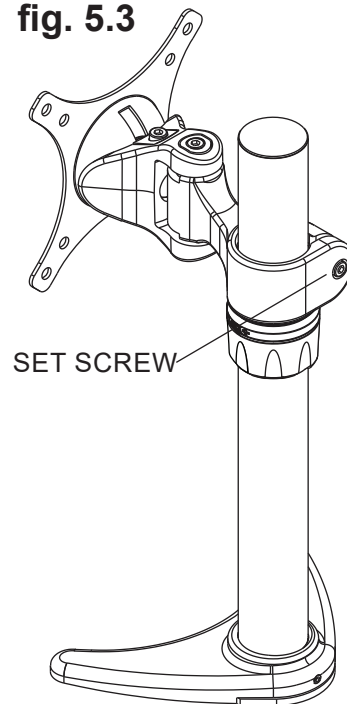
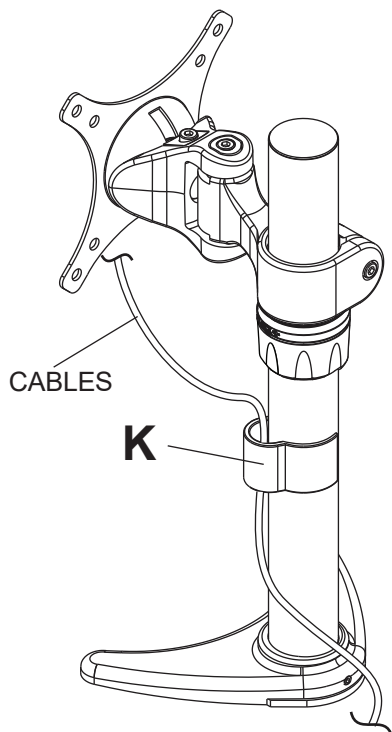


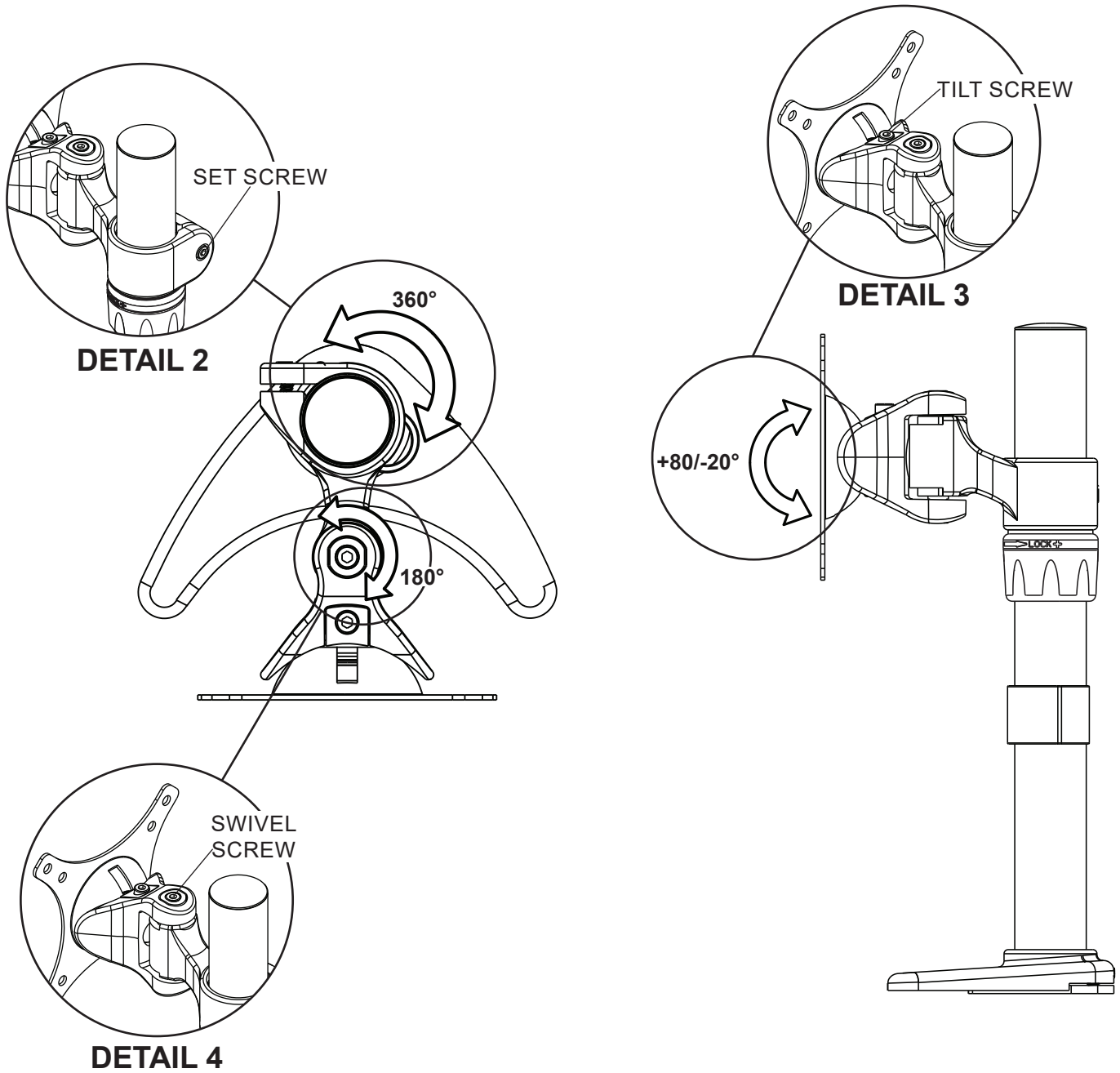
fig. 5.3



- 6** Cables may be routed using cable clip (K).



- 7** To lock down rotation, tighten set screw shown in detail 2.
To lock down tilt, tighten screw shown in detail 3.
To lock down swivel, tighten screw shown in detail 4.



ENG	Warranty	ESP	Garantía	FRN	Garantie	DEU	Garantie	NEL	Garantie
ITL	Garanzia	ČEŠ	Záruka	SLK	Záruka	POR	Garantia	TÜR	Garanti

www.peerless-av.com/warranty

peerless-AV[®]

Peerless-AV
 2300 White Oak Circle
 Aurora, IL 60502
 Email: tech@peerlessmounts.com
 Ph: (800) 865-2112
 Fax: (800) 359-6500
www.peerless-av.com

Peerless-AV Europe
 Unit 3 Watford Interchange,
 Colonial Way, Watford, Herts,
 WD24 4WP, United Kingdom
 Customer Care
 44 (0) 1923 200 100
www.peerless-av.com

Peerless-AV América Latina
 Av. de las Industrias 413
 Parque Industrial Escobedo
 General Escobedo N.L., México 66062
 Servicio al Cliente
 01-800-849-65-77
www.peerless-av.com

© 2020, Peerless Industries, Inc.

© 2020, Peerless Industries, Inc.

© 2020, Peerless Industries, Inc.