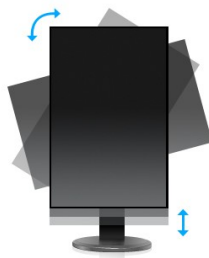




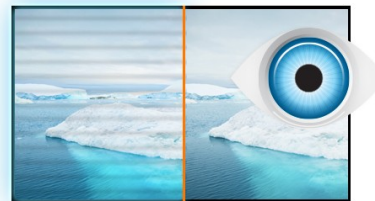
Perfect choice for home and office

The ProLite B2083HSD is a 19.5" 1600x900 LED-backlit monitor with a Height Adjustable Stand supporting Screen Rotation, ensuring perfect posture and optimal viewing comfort. It features 5msec black-to-black response time and 12 000 000 : 1 Advanced Contrast Ratio assuring very good picture quality. The monitor is TCO6 and Energy Star Certified. A perfect solution for education, local government, business and finance markets.



HAS + PIVOT

With a height adjustable stand you will create an ergonomic work posture and position that meets all health and safety requirements. This will not only prevent any health issues but will also increase your productivity. The pivot function allows the screen to rotate from landscape to portrait orientation. This functionality can be useful if the application requires more height than width.



FLICKER FREE + BLUE LIGHT

The ultimate solution for the comfort and health of your eyes. Flicker free monitors with blue light reducer function. Absolutely no flickering. And the amount of blue light emitted by the screen and responsible for your eyes feeling fatigued substantially reduced.

1. DISPLAY CHARACTERISTICS

DIAGONAL	19.5"; 49.4cm
PANEL	TN LED
DISPLAY AREA H X W	236.3 x 433.9 mm; 9.3" x 17.1"
RESPONSE TIME	5 ms
CONTRAST	1000 : 1 typical
CONTRAST	12 000 000 : 1 ACR
BRIGHTNESS	250 cd/m ² typical
VIEWING ZONE	horizontal/vertical: 170° / 160°; right/left: 85° / 85°; up/down: 80° / 80°
DISPLAY COLOUR	16.7 million
PIXEL PITCH H X V	0.27 x 0.27 mm
NATIVE RESOLUTION	1600 x 900 (1.4 megapixel)
HORIZONTAL SYNC	30 - 80 KHz
VERTICAL SYNC	55 - 75 Hz
SYNCHRONIZATION	Separate Sync
ASPECT RATIO	16 : 9
BLUE LIGHT REDUCER	yes
FLICKER FREE LED	yes

2. INTERFACES & CONNECTORS

ANALOG INPUT CONNECTOR	VGA
DIGITAL INPUT CONNECTOR	DVI-D
HDCP	yes;
HEADPHONE CONNECTOR	Yes
OUTPUT CONNECTOR	headphone connector

3. SPECIAL FEATURES

APPLE - MAC	All iiyama monitors are compatible with Apple-Macintosh computers.
CONTROLS	On-Screen-Display in 10 languages (EN, FR, DE, IT, PL, ES, NL, JP, Chinese, RU) and 6 front controls (Power, Menu/ Select, Scroll up/Volume, Scroll down/ECO, Exit, Auto)
USER CONTROLS	auto adjust, luminance (brightness, contrast), geometry (H. position, V. position, clock, phase), colour, OSD (H. position, V. position, timeout), language, recall, miscellaneous (sharpness, DDC/CI, display information, ACR, display mode, opening logo), input select, audio adjust (volume, mute)
SPEAKERS	2 x 1 W (Stereo)
ANTI-THEFT-DEVICE	Kensington-lock™ prepared
SAFETY	TCO, CE, TUV-GS, VCCI-B, Gost-R
HEIGHT ADJUSTABLE STAND	Yes
HEIGHT ADJUSTMENT	130 mm

ROTATION (PIVOT FUNCTION)	90°
SWIVEL STAND	90°; 45° left; 45° right
TILT ANGLE	22° up; 5° down
VESA MOUNTING	100 x 100 mm
COLOUR	Black

4. ACCESSORIES

INCLUDED ACCESSORIES	power cable, DVI-D cable, audio cable, stand-base, quick start guide, safety guide
----------------------	--

5. POWER MANAGEMENT

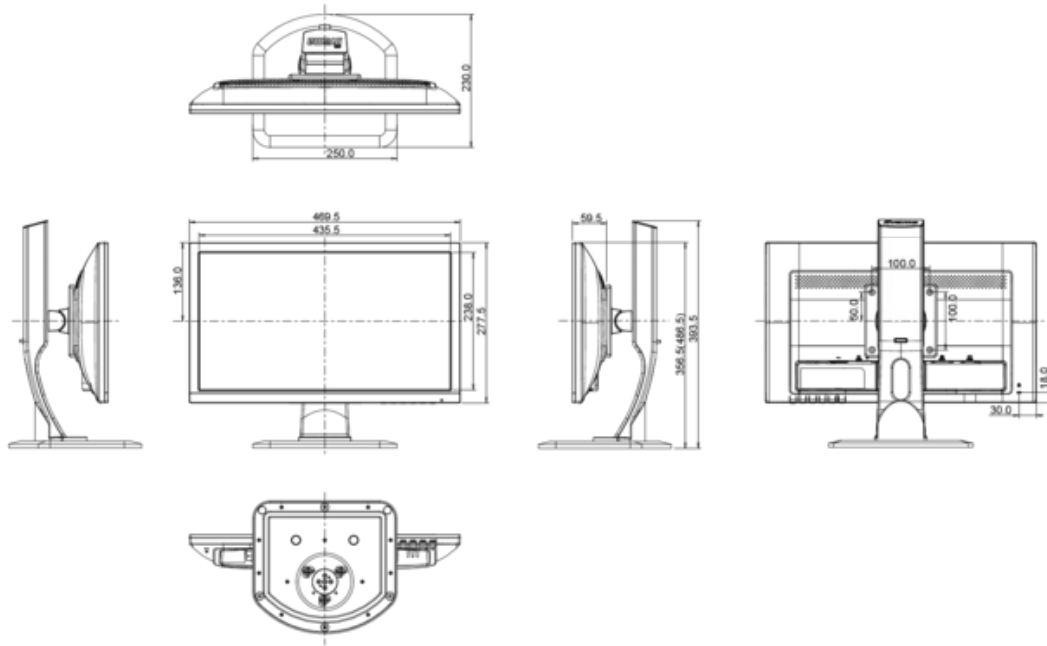
POWER SUPPLY	AC 100 - 240 V, 50 / 60 Hz
POWER SUPPLY UNIT	internal
POWER USAGE	15 W typical; max. 0.5 W in Power management mode
POWER MANAGEMENT	VESA DPMS, ENERGY STAR®

6. EPEAT SILVER

EPEAT	EPEAT is a comprehensive environmental rating that helps identify greener computers and other electronic equipment. The Silver certification means the monitor meets all required criteria plus at least 50% of the optional requirements. EPEAT Silver is valid in countries where iiyama registers the product. Please visit www.epeat.net for the registration status in your country.
-------	--

7. DIMENSIONS & WEIGHT

DIMENSIONS W X H X D	469.5 x 356.5 (486.5) x 230 mm
WEIGHT	4.3 kg



All trademarks and registered trademarks acknowledged. E & O E. Specification subject to change without notice. All LCD's comply with ISO-9241-307:2008 in connection with pixel defects.

© IIYAMA CORPORATION (). ALL RIGHTS RESERVED.