



B-TECH AV MOUNTS™

BT8428

BACK-TO-BACK UNIVERSAL FLAT SCREEN CEILING MOUNT WITH TILT

CHOICE OF
FOUR POLE
LENGTHS

Designed to ceiling mount two screens in a back-to-back configuration, the BT8428 is available in a choice of four different drop lengths; 1m, 1.5m, 2m and 3m. The mount uses B-Tech's unique 'Torsion-Tilt' mechanism for easy tilt up to +/-15°. Levelling screws are included on the interface arms to finely adjust the screen height and locking screws help prevent unauthorised removal of the screen.

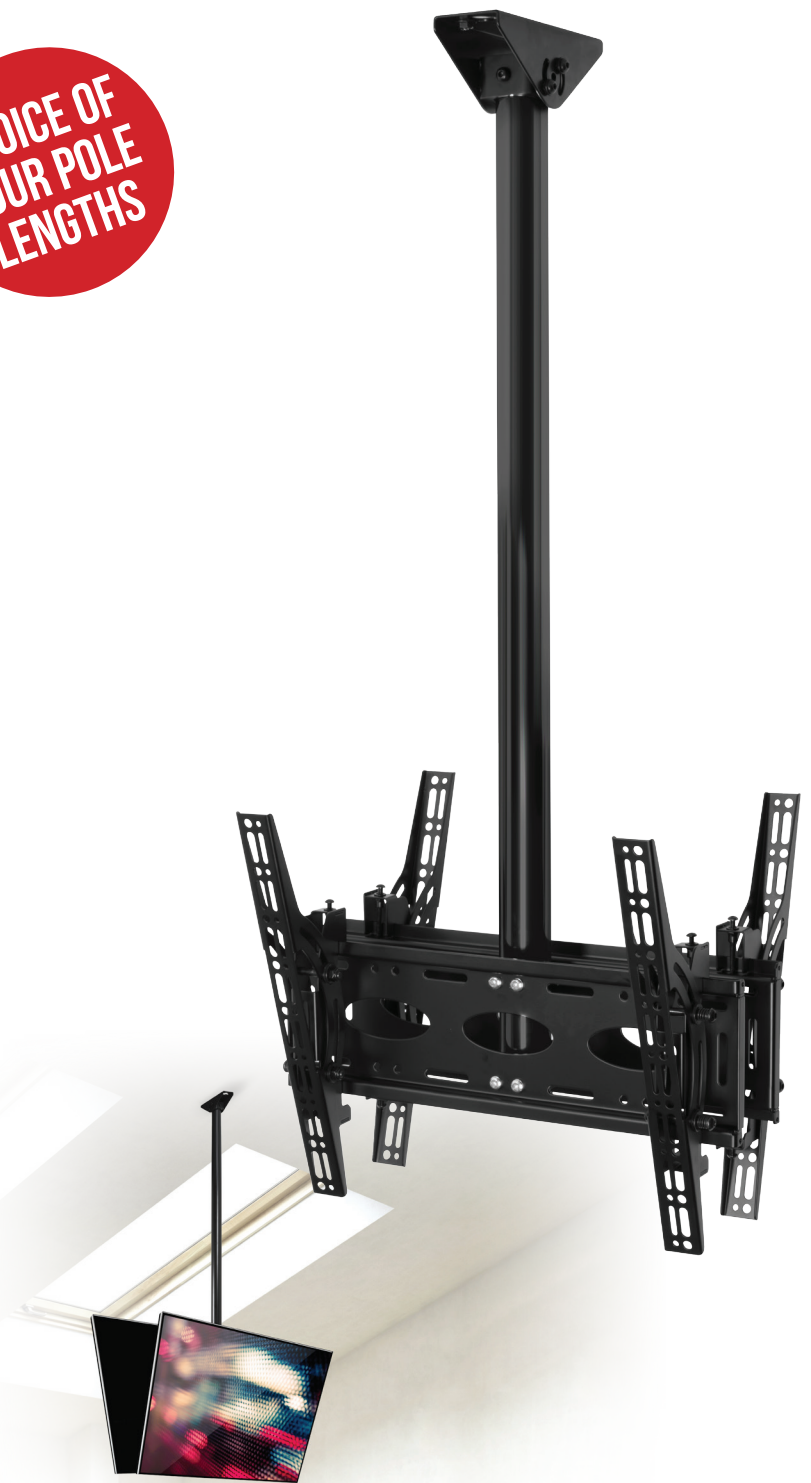
SPECIFICATION

Recommended screen size	39" - 65"
Max load	50kg (per screen)
VESA® compatibility (as standard)	up to 400 x 400
VESA® compatibility (with included adaptors)	up to 600 x 400
Ceiling drop	960mm, 1460mm, 1960mm or 2960mm*
Tilt adjustment (at screen)	up to +/-15°
Tilt adjustment (at ceiling)	up to +90°
Colour (interface)	Black
Colour (poles)	Black or Chrome

*From the ceiling to the the centre of the mount

FEATURES

- Mounts two screens back-to-back
- Ceiling bracket can be tilted for mounting on angled ceilings
- Unique 'Torsion-Tilt' mechanism for easy tilt adjustment
- Post installation screen alignment for perfect screen positioning
- Arms feature levelling screws to adjust the screen height
- Suitable for landscape or portrait mounting
- Security screws help prevent unauthorised removal of screens
- Poles are supplied with safety bolt and grub screws for a secure installation
- Available in four pole lengths for more mounting flexibility
- Integrated cable management
- Simple 'hook-on' installation
- All mounting hardware included



VESA
600
x
400

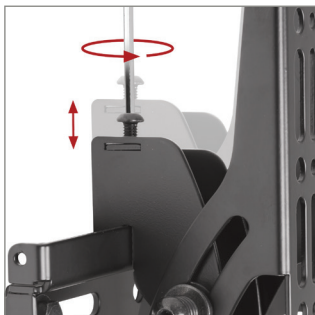
65"
165cm

50KG

15°
15°

↔

PER SCREEN INTERFACE POLES



Levelling screws allow adjustment of the screen height once mounted



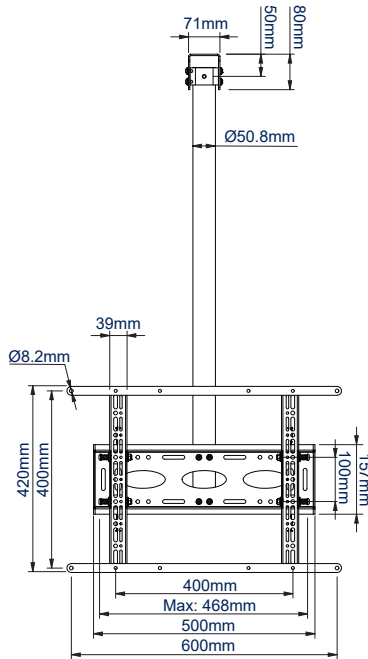
Security locking screws and Allen key provide a secure installation



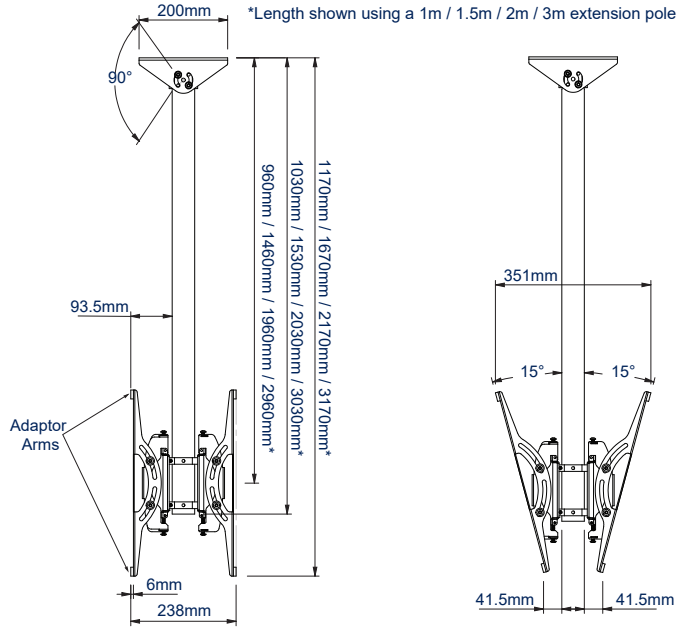
Ceiling bracket can be tilted for mounting on angled ceilings



Maximum VESA fixing can be increased to 600mm using the included adaptor arms

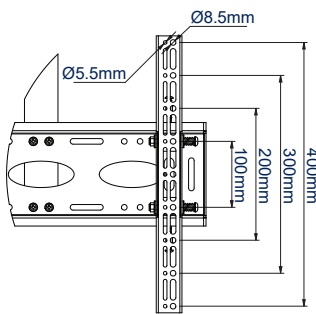


FRONT VIEW WITH ADAPTOR ARMS

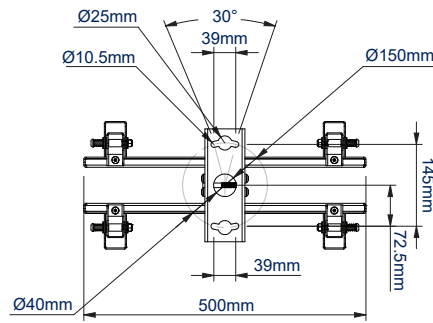


SIDE VIEW INTERFACE FLAT

SIDE VIEW INTERFACE TILT DOWN



INTERFACE ARM CLOSE UP VIEW



TOP VIEW

PACKING INFORMATION

ORIGINAL DESIGN BY B-TECH - REGISTERED COMMUNITY DESIGN NO.: 004038040-0021 / -0044

COLOUR:	ORDER REF:	EAN CODE:	MASTER CARTON QTY:	INNER CARTON QTY:	MASTER CARTON WEIGHT:	MASTER CARTON CUBE:
Black w/ Black Poles	BT8428-100/B	5019318551413	1 / 1	0 / 0	12.09kg / 1.93kg	0.041cbm / 0.003cbm
Black w/ Chrome Poles	BT8428-100/C	5019318551512	1 / 1	0 / 0	12.09kg / 1.93kg	0.041cbm / 0.003cbm
Black w/ Black Poles	BT8428-150/B	5019318551420	1 / 1	0 / 0	12.09kg / 3.09kg	0.041cbm / 0.005cbm
Black w/ Chrome Poles	BT8428-150/C	5019318551529	1 / 1	0 / 0	12.09kg / 2.89kg	0.041cbm / 0.005cbm
Black w/ Black Poles	BT8428-200/B	5019318551437	1 / 1	0 / 0	12.09kg / 3.83kg	0.041cbm / 0.007cbm
Black w/ Chrome Poles	BT8428-200/C	5019318551536	1 / 1	0 / 0	12.09kg / 4.1kg	0.041cbm / 0.007cbm
Black w/ Black Poles	BT8428-300/B	5019318501807	1 / 1	0 / 0	12.09kg / 5.79kg	0.041cbm / 0.010cbm
Black w/ Chrome Poles	BT8428-300/C	5019318501814	1 / 1	0 / 0	12.09kg / 5.84kg	0.041cbm / 0.010cbm

RELATED PRODUCTS



BT8424
Universal Flat Screen Ceiling Mount with Tilt for screens up to 65"



BT8426
Flat Screen Ceiling Mount with Adjustable drop and tilt for screens up to 65"



BT8448
Extra-Large Flat Screen Ceiling Mount for screens over 65"



BT7554
Back-To-Back Flat Screen Ceiling Mount with Tilt and Swivel for screens up to 28"

© 2015 B-Tech Professional Design & Manufacturing Ltd. All rights reserved.
We warrant that the specifications and technical data are correct as of the date of print.
We accept no liability for loss or damage caused by improper or unauthorized use of the product.
B-Tech Professional Design & Manufacturing Ltd. is not responsible for any damage to property or equipment.
Specifications are subject to change without notice.
SS-V4.1-BT8428-061017