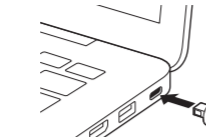
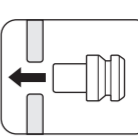
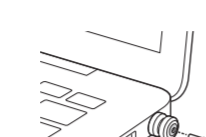
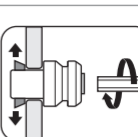




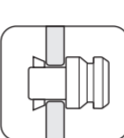






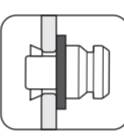
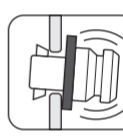







1  






2   

3     

 **A**  **B**  .25mm **C**  .5mm

4.1     

4.2     

4.3     

4.4 