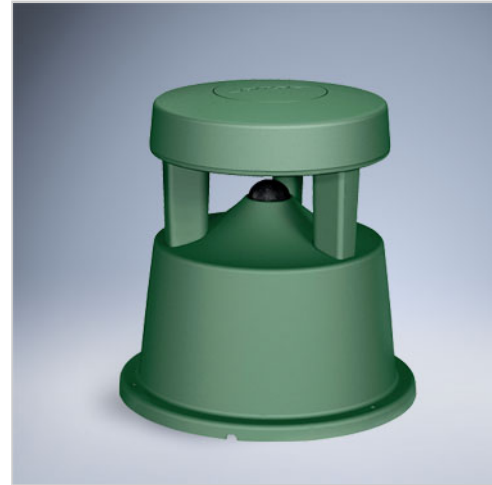


FreeSpace® 360P Series II loudspeaker



Key Features

- **Full-range** environmental loudspeaker with one downward firing 4.5" (114 mm) advance composite environmental full-range driver for in-ground or above-ground mounting
- **Domed port grille** reflects sound into the listening area for clear, consistent performance
- **Cabinet shape** acts as acoustic diffuser directing mid- and high-frequency energy out towards listeners. Base of loudspeaker acts as a tuned, multi-chambered ported enclosure
- **Multi-tap line transformer** provides easy-to-change tap settings
- **Tamper-resistant** design
- **Internal speaker** protection circuit safeguards drivers



TECHNICAL DATA SHEET

Product Overview

The Bose® FreeSpace 360P Series II is a full-range environmental loudspeaker designed to blend with landscaping for in-ground or above-ground applications, such as shopping malls, outdoor restaurants, resorts and theme parks. It features 360° of horizontal coverage and frequency range down to 60 Hz.

Technical Specifications

System Performance	
Frequency Response (+/-3 dB) ¹	70 Hz - 10 kHz
Frequency Range (-10 dB) ¹	60 Hz - 15 kHz
Nominal Dispersion	360° H x 50° V
Recommended High-Pass Filter	60 Hz high-pass filter
Loudspeaker EQ	Recommended
Overload Protection	PTC
Long-Term Power Handling ²	80 W (320 W peak)
Sensitivity (SPL / 1 W @ 1 m) ³	87 dB SPL
Maximum SPL @ 1 m ⁴	100 dB SPL (106 dB SPL peak)
Nominal Impedance	4 Ω (transformer bypassed)
Transformer Taps (70/100 V)	10 W, 20 W, 40 W, 80 W
Transducers	
Driver Complement	4.5" (114 mm) Bose® environmental driver
Physical	
Enclosure	Glass-reinforced polypropylene, textured
Environmental	Outdoor per IEC 529 IP35
Connectors	External multi-wire cable with wire nuts included
Suspension / Mounting	Three (3) #10 (M4) holes in base. Three #10 M4 screws required
Dimensions	Diameter: 14.5" (368 mm) Height: 14.9" (379 mm)
Net Weight	14.5 lb (6.6 kg)
Shipping Weight	14.9 lb (6.8 kg)
Product Code	
Green	040151

Footnotes:

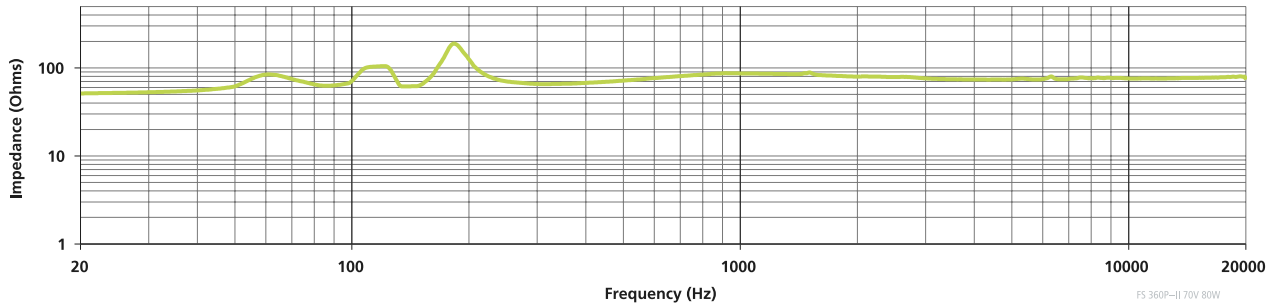
- ¹ Frequency response measured 30° above the ground plane (per recommended installation) in an anechoic environment.
- ² Power handling tested using pink noise filtered to meet IEC 268-5, 6 dB crest factor, 100 hours, with recommended EQ.
- ³ Sensitivity. 70Hz-15kHz pink noise is applied to the speaker and amplified to a level at the loudspeaker terminals corresponding to 1 watt as referenced to the nominal impedance. The average sound pressure level is measured at 1 meter, 30° above the ground plane.
- ⁴ Max SPL. Calculated level for sine wave is obtained by adding 10*log(W tap) to the measured sensitivity of the speaker.

FreeSpace® 360P Series II loudspeaker

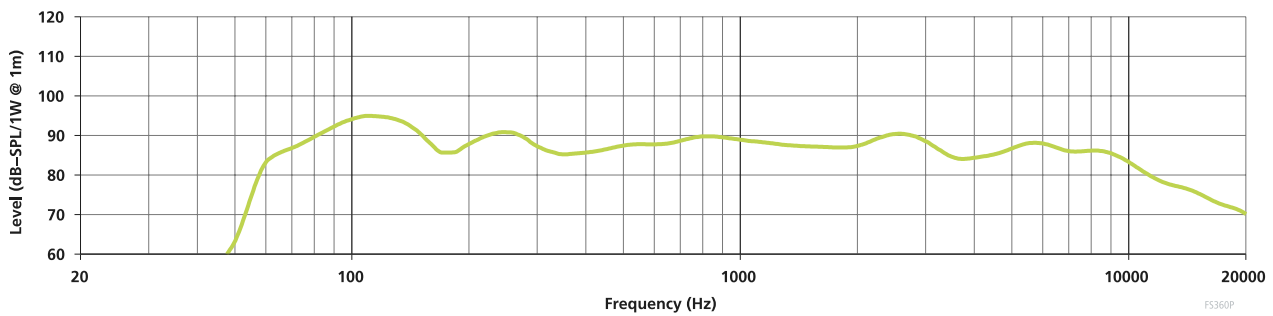


TECHNICAL DATA SHEET

Impedance



On-Axis Response



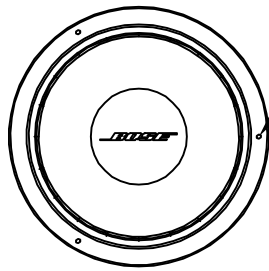
Tap Chart

FreeSpace 360-II Tap Chart					
Listener	m	3	4.5	6	dB _{SPL}
Distance	ft	10	15	20	
T A P	10	87	84	81	
	20	90	87	84	
	40	93	90	87	
	80	96	93	90	

FreeSpace® 360P Series II loudspeaker

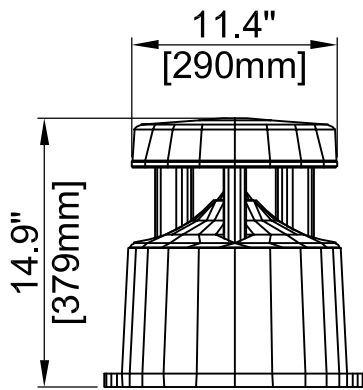


Mechanical Diagrams

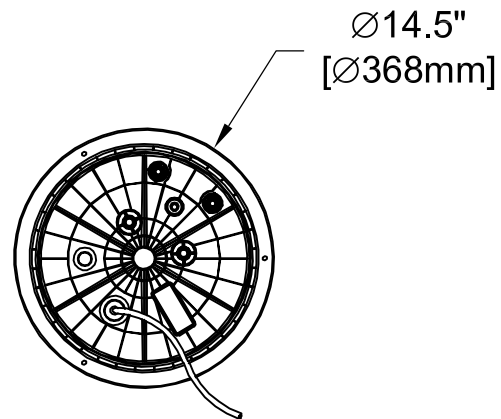


Ø0.3" [7MM]
MOUNTING HOLES
ON FLANGE (QTY 3)

Top View



Side View



Bottom View

FreeSpace® 360P Series II loudspeaker



Architects' and Engineers' Specifications

The loudspeaker shall be a ported loudspeaker system utilizing one 4.5" (114 mm) HVC environmental full-range driver mounted in the underside of the top of the loudspeaker enclosure. The driver shall have a rated impedance of 4 Ω and shall be wired in parallel with a line voltage-matching (stepdown) transformer with taps at 10, 20, 40, or 80 watts.

The loudspeaker shall have a single-port vented system, with a maximum continuous acoustic output of 100 dB SPL from 70 Hz to 10 kHz, with measurements referenced with full-bandwidth pink noise at 1 meter at the loudspeaker's rated power.

The input connection shall consist of wires with wire nuts on a cable attached to the base of the loudspeaker. The nominal dispersion of the loudspeaker shall be 360° horizontal and 50° vertical.

The loudspeaker shall be the Bose® FreeSpace® 360P Series II loudspeaker.

Safety and Regulatory Compliance

The FreeSpace® 360P Series II loudspeaker is suitable for general purpose use. It complies with EMC Directive 89/336/EEC and Article 10 (1) of the Directive in compliance with EN50081-1, EN50082-1, as signified by the CE mark.