



Unifi® | Antenna

Directional Dual-Band Antenna for UAP-AC-M

Model: UMA-D

Dual-Band, Dual-Polarity Optimized for 802.11ac

High Efficiency Directional Radiation Pattern

Three-Axis Ball Joint Mount for Precise Aiming



Hardware Overview

The UniFi Antenna, model UMA-D, is an optional mesh antenna designed to work with the UniFi® AC Mesh AP, model UAP-AC-M. With dual-band support, the UMA-D expands range coverage and provides customized pattern shaping. It is available in single- and five-packs.

Antenna Features Optimized for 802.11ac, the UMA-D offers a high efficiency directional radiation pattern with dual polarity.

Weather-Resistant Enclosure Encased in UV-stabilized plastic, the UMA-D can be used indoors or outdoors.

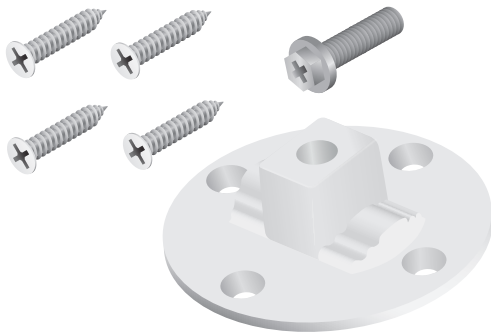
Versatile Mounting The UMA-D has a ball joint mount designed for precise aiming and can be mounted on a pole or wall.

Compatibility The UMA-D is a connectorized antenna that is compatible with the UAP-AC-M.

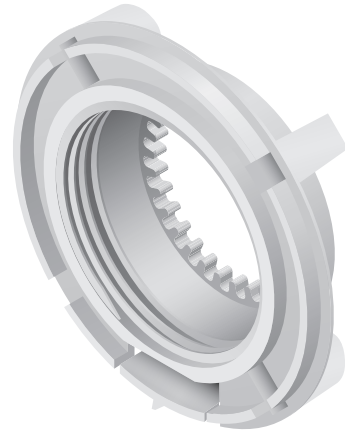


Pole-Mount Installation

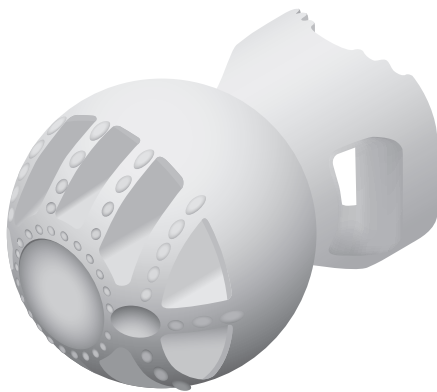
Mounting Kit



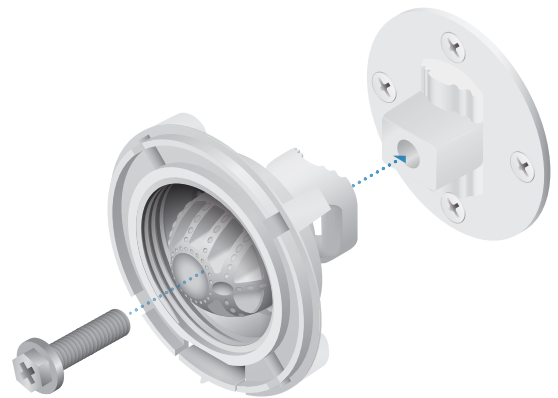
Wall-Mount Kit



Lock Ring



Ball Joint Mount



Mount Assembly

Specifications

UMA-D	
Dimensions	201.3 x 128.0 x 32.5 mm (7.93 x 5.04 x 1.28")
Weight (with Mount) (without Mount)	480 g (16.93 oz) 400 g (14.11 oz)
Enclosure	Outdoor UV Stabilized Plastic
RF Connections	(2) RP-SMA
Supported Frequency Range	2.4 - 2.5 GHz, 5.1 - 5.9 GHz
HPOL Beamwidth 2.4 GHz 5 GHz	90° 45°
VPOL Beamwidth 2.4 GHz 5 GHz	90° 45°
Elevation Beamwidth 2.4 GHz 5 GHz	90° 45°
Maximum VSWR	2:1
Polarization	Dual-Linear
Cross-Pol Isolation 2.4 GHz 5 GHz	25 dB 30 dB
Antenna Gain 2.4 GHz 5 GHz	10 dBi 15 dBi
Mounting	Wall/Pole (Kits Included)

