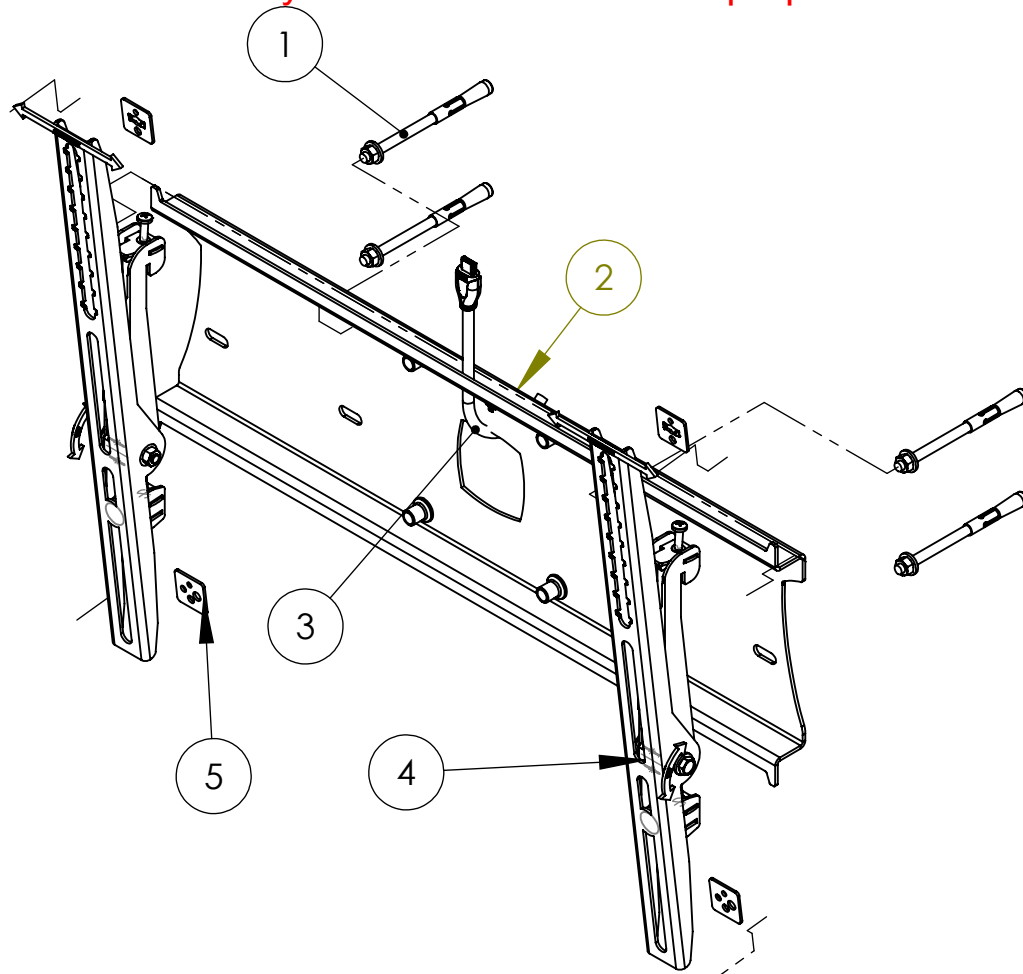


| | | | | |
|--|--|-------------------------------|------------|-----------------------|
| Description | | Pzw8 Pozimount Type 8 Tilting | | |
| UNLESS OTHERWISE SPECIFIED: DIMENSIONS ARE IN MILLIMETERS | | Mod Date | 11/08/2016 | REVISION |
| SURFACE FINISH: Powder Coated | | Drawn Date: | 09/02/2007 | A-001 |
| DRAWN Ricky Clark | | Material | | |
| Unicol Engineering Green Road Oxford OX3 8EU | | Gauge | | DWG NO. |
| Bend Tool | | WEIGHT: | | Kg |
| | | SCALE:1:7 | | DO NOT SCALE DRAWING |
| | | | | SHEET 1 OF 2 |
| | | | | Bend & Machine Number |
| | | | | PZW8U |
| | | | | A4 |

All Fixings must be approved by a builder or architect and these are only shown for illustrational purposes



Ensure that the walls the load - (screen including all bracketry and peripherals).

1. Mount the bracket to the screen and measure off to establish the location of the mount fixing points
2. Place the back plate (2) at the location required and mark though the fixing locations, Ideally fit (1) one location point then pilot drill through the remaining ones after confirmation it is in the correct location and is level.
3. Pass any cables though (3) making certain that they will not be trapped by any moving parts
4. Fit the arms (5) to the screen using the supplied fixings (4)
5. Lift the screen with the arms attached on to the side fixings using an assistant to help with the load and fit the cables in place

| | | | | | |
|--|-------------|-------------------------------|------------|----------------------|-----------------------|
| Description | | Pzw8 Pozimount Type 8 Tilting | | | |
| UNLESS OTHERWISE SPECIFIED: DIMENSIONS ARE IN MILLIMETERS | | Mod Date | 11/08/2016 | REVISION | Bend & Machine Number |
| SURFACE FINISH: Powder Coated | | Drawn Date: | 09/02/2007 | A-001 | |
| DRAWN | Ricky Clark | Material | | | DWG NO. |
| Unicol Engineering Green Road Oxford OX3 8EU | | Gauge | | | |
| WEIGHT: | | Kg | | SCALE:1:6 | PZW8U |
| | | | | DO NOT SCALE DRAWING | A4 |
| | | | | SHEET 2 OF 2 | |

Bend V Tool