

AMRWC01

CPU Holder Floor / Wall mount

The Amer AMRWC01 is an adjustable CPU holder that may be used to hold a computer chassis on the floor, desk or wall. The unit can be adjusted to accommodate computers with a thickness of 50mm to 200mm.



Specifications

Dimensions(WxHxD):

- 239 x 186 x 220mm
- 9.41" x 7.32" x 8.66"

Weight:

- 2.08Kg (4.59lbs)

Material:

- Steel/Rubber/Plastic

Support Max. Weight:

- 18kg(39.7lbs)

• Warranty and Support

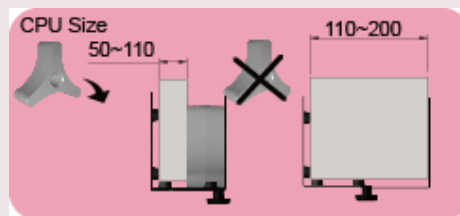
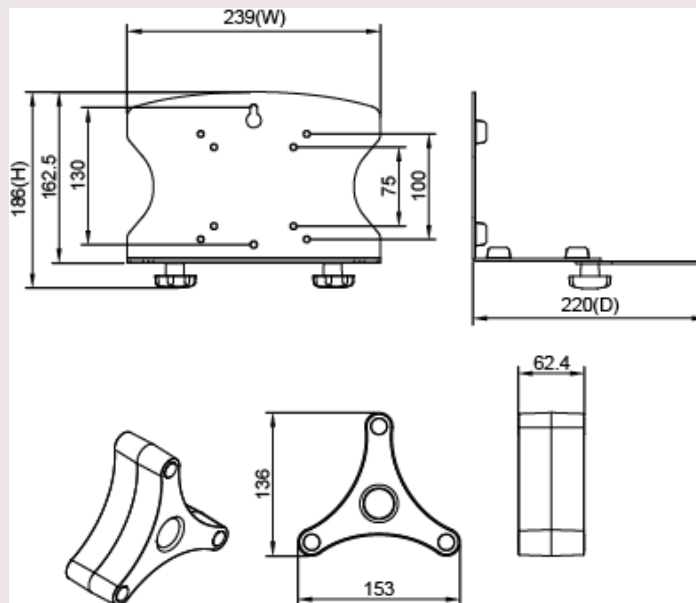
Warranty: 3 Years

Support: Free technical support (phone/email)

AMRWC01

CPU Holder Floor / Wall mount

AMRWC01



www.amer.com / www.amermounts.com

sales@amer.com
1-800-262-9703

Specifications subject to change without notice. Errors and omissions excepted. All trademarks are properties of their respective owners.

Revision 2.01