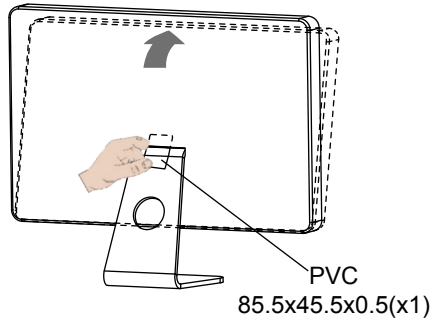


# VESA Mount Adapter Installation

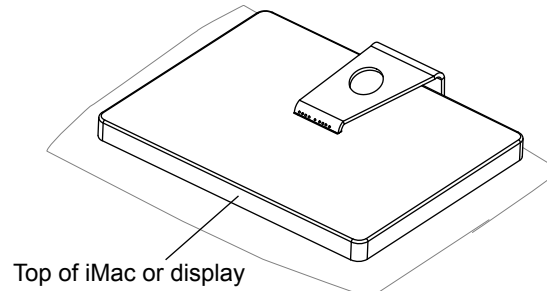
1



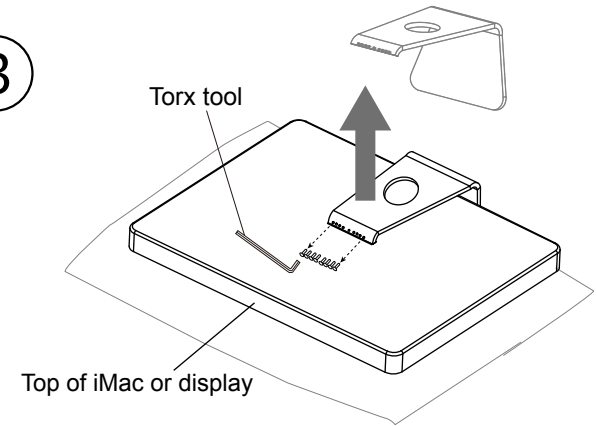
**To install the mount adapter:**

1. Turn off your iMac or display and disconnect the power cord and all cables
2. Turn your iMac or display so that the back is facing you, and then rotate the top forward until it won't go any further.
3. Release the latch by inserting the access card in the space directly above the top of the stand  
The access card should go into the space at a slight upward angle for about 3/4 of an inch if it goes in farther, you've missed the latch, so try again.

2



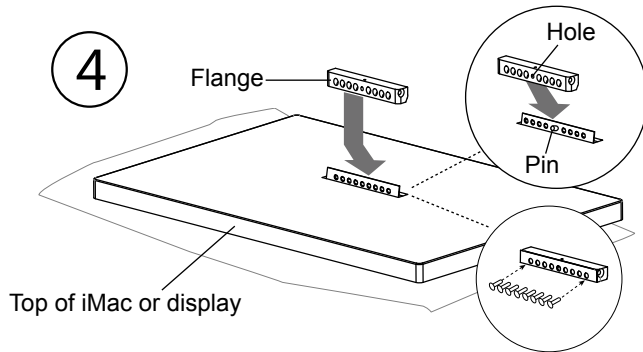
3



4. Rotate your iMac or display forward until the 8 screws on top of the stand are visible and the stand is locked in place.
5. Hold the sides of your iMac or display and carefully lay it down so that the screen is resting on a soft towel or cloth on a flat surface and the stand hangs over the edge of your work surface.

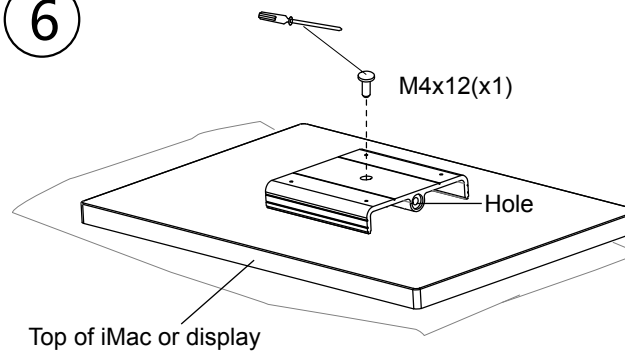
6. Use the Torx tool to remove the 8 screws that attach the stand to the back of your iMac or display. You'll need these screws to attach the flange, so set them aside.
7. Remove the stand and put it in a safe place in case you want to reattach it.

4



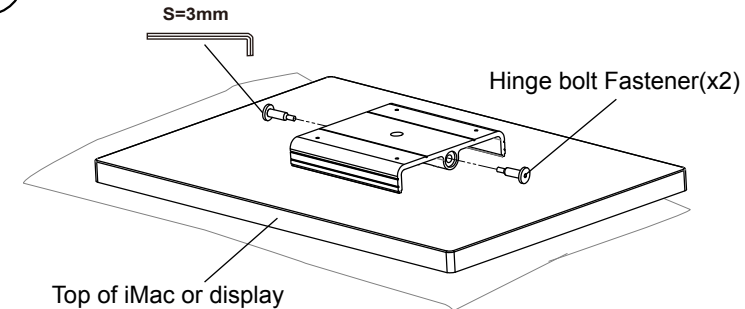
8. Align the hole in the flange with the pin on the back, and then attach the flange using the Torx tool and the 8 screws you removed from the stand.

6



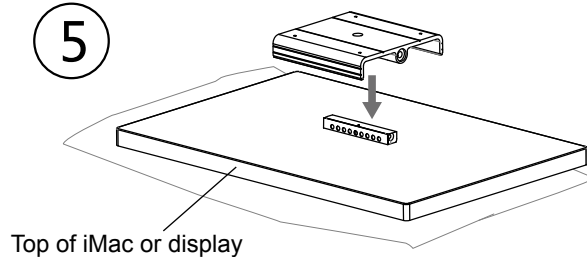
10. Use the Torx tool to screw the screw into the top of the mount adapter. Keep tightening the screw until the hole in the mount adapter aligns with the hole in the flange.

7



11. Use the hex tool and the two bolts to attach the mount adapter.
12. Follow the instructions included with the VESA-compliant mounting solution to attach it.
13. Connect the power cord and cables to your iMac or display.

5



9. Place the mount adapter over the flange.

**PARTS INCLUDED**

