

MD179ZM/A-AMR

VESA Mount Adapter Kit for iMac and LED Cinema or Apple Thunderbolt Display

This VESA Mount Adapter Kit allows your 24" or 27" iMac computer, 24" or 27" LED Cinema Display, or Apple Thunderbolt Display to be used with a variety of alternative mounting solutions, such as wall mounts and zero-footprint articulating arms, based on the VESA flat-panel mounting interface (FPMI). With a tool in this kit, you can remove the iMac or display stand and attach the VESA Mount Adapter. Then connect any VESA-compliant mounting solution with a 100 mm x 100 mm attachment. With the VESA Mount Adapter attached, your computer or display complies with the VESA MIS-D 100, C version specification.

Works with the following models:

- 24" iMac (aluminum and glass)
- 27" iMac (late 2009, mid 2010, and mid 2011)
- 24" LED Cinema Display
- 27" LED Cinema Display
- 27" Apple Thunderbolt Display

Not compatible with iMac (late 2012)

Wall mount or articulating arm not included.



Specifications

Physical Specifications

Mounting Pattern: 100x100mm VESA

Material: Aluminum

- Kit Parts:
- VESA Mounting Adapter Bracket (x1)
 - PVC Latch Release Card Tool (x1)
 - Torx Tool (x1)
 - Flange Hinge (x1)
 - Flange Screw M4x12mm (x1)
 - Hex Tool, S=3mm (x1)
 - Hinge Bolt Fastener (x2)
 - Directions

Warranty and Support

Warranty: 1 Year

Support: Free technical support (phone/email)

www.amer.com / www.amermounts.com

sales@amer.com
1-800-262-9703

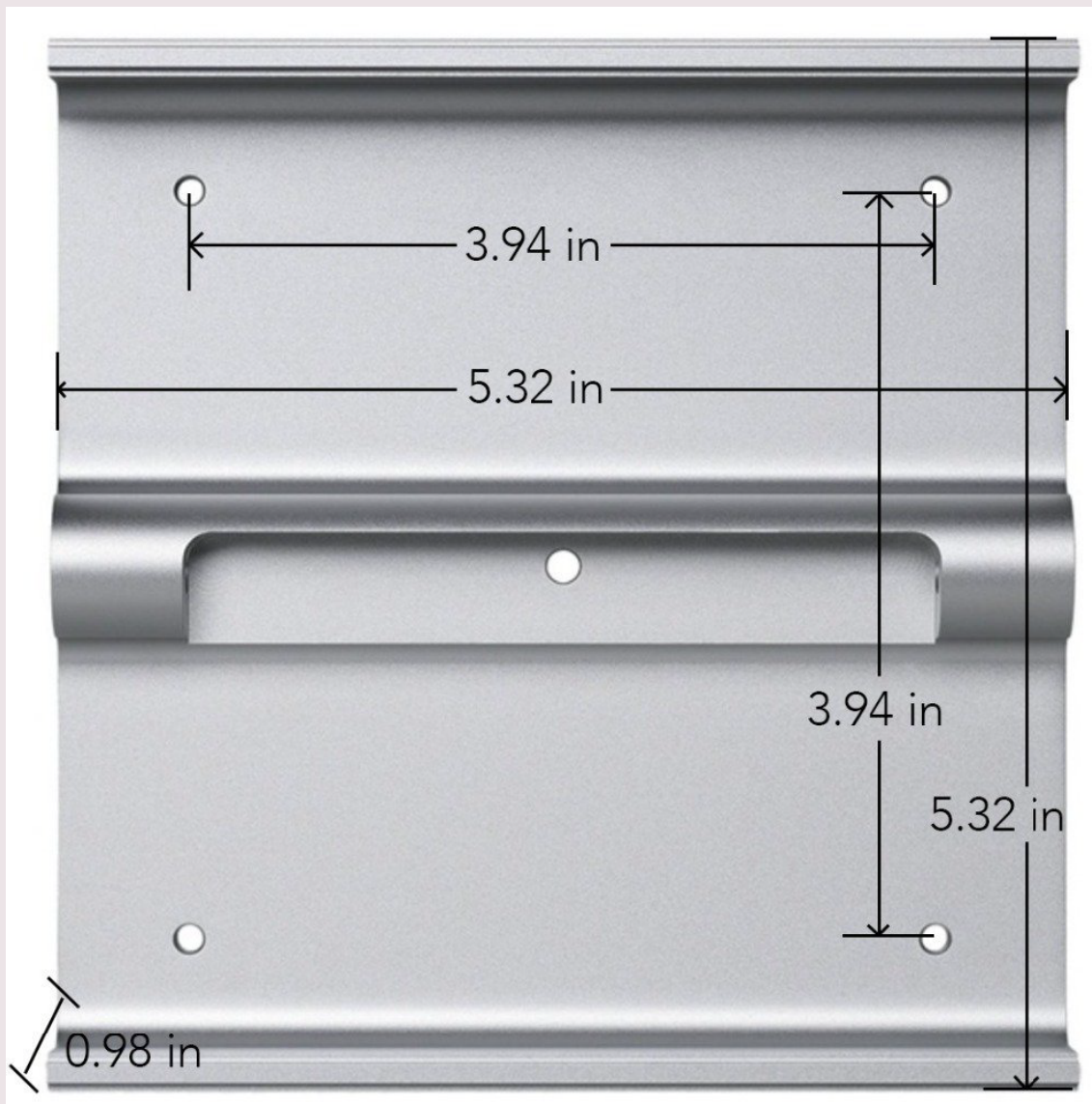
Specifications subject to change without notice. Errors and omissions excepted. All trademarks are properties of their respective owners.

Revision 1.03

MD179ZM/A-AMR

VESA Mount Adapter Kit for iMac and LED Cinema or Apple Thunderbolt Display

MD179ZM/A-AMR



www.amer.com / www.amermounts.com

sales@amer.com
1-800-262-9703

Specifications subject to change without notice. Errors and omissions excepted. All trademarks are properties of their respective owners.

Revision 1.03