



BT893

HEAVY DUTY PROJECTOR CEILING MOUNT
WITH MICRO-ADJUSTMENT

INSTALLATION GUIDE & PARTS LIST

This Pack Contains 1 Mount



PLEASE KEEP THIS FOR FUTURE REFERENCE

FEATURES



- Heavy duty ceiling mount for projectors up to 70kg
- Can be mounted direct to ceiling or onto Ø50mm extension poles
- +20°/-10° Tilt (Pitch) incremented adjustment
+/-5° Additional Tilt (Pitch) micro-adjustment
+/-5° Roll micro-adjustment
25° Yaw adjustment (ceiling mounted)
45° Yaw adjustment (pole mounted)
- Extendable mounting plate features 4-point micro-adjustment for perfect alignment of projected images
- Micro-adjustment is altered using handwheels for better grip and more controlled adjustment
- Optional extension legs can be used to accommodate larger fixing patterns
- Max. distance between projector fixings: 873mm
- Suitable for projectors using M6, M8, M10 and M12 fixings (hardware included)
- Ideal for use with projection mapping projectors
- Quick and easy assembly



POLE MOUNTED

CONTENTS

Installation Safety Notes.....	2
Parts List.....	4
Installation Instructions.....	6
Typical Pole Installations.....	13
Product Dimensions.....	14
B-Tech Contact Details.....	16

INSTALLATION TOOLS REQUIRED

Drill



Pencil



B-TECH AV MOUNTS

www.btechavmounts.com

INSTALLATION SAFETY INSTRUCTIONS



CAUTION: This ceiling mount is intended for use only with the maximum weights indicated. Use with projectors heavier than the maximum indicated may result in instability causing possible injury.

Do not attempt to install this product until all instructions and warnings have been read and properly understood. Please keep these instructions for future reference. Please check carefully to make sure there are no missing or defective parts - defective parts must never be used. B-Tech International Design & Manufacturing Ltd, its distributors and dealers are not liable or responsible for damage or injury caused by improper installation, improper use or failure to observe these safety instructions. In such cases, all guarantees will expire.

General

B-Tech International Design & Manufacturing Ltd recommends that a professional AV installer or other suitably qualified person install this product. Great care must always be taken during installation as most AV equipment is of a fragile nature, possibly heavy and easily damaged if dropped.

If you do not fully understand the instructions or are not sure how to install this product safely, then please consult a professional for advice and/or to install this product for you. Failure to mount this product correctly may cause serious injury or death both during installation and at any time thereafter.

Do not mount any AV equipment that exceeds the specific weight limit of the product you are installing. This weight limit will be clearly stated on each product and its packaging and will vary from product to product.

Product location

Please pay careful attention to where this product is located. Some ceilings are not suitable for installation. For indoor use only. If located in a public or frequently populated area ensure that the product is out of the immediate reach of people. If any AV equipment is to be suspended over the likely path or location of people then great care should be taken to secure all parts of the installation from falling. When drilling holes into walls it is essential to avoid contact with electrical cables and water or gas pipes contained within. Use of a good quality live wire detector and hidden object locator is therefore recommended. Only drill into structures when you are sure it is safe to do so.

Fixing hardware

It is highly recommended that all wall fixing screws be used where supplied and that the purpose of all other fixing hardware is fully understood. In some cases more AV equipment fixing hardware will be supplied to accommodate different models of equipment and set up configurations. The installer must be satisfied that any supplied fixing hardware is suitable for each specific installation. If any fixing screws or included hardware are deemed not sufficient for a safe installation then please consult a professional or your local hardware store.

Hazard limitation

When routing cables take advantage of any built in cable management features that the product might provide and ensure that all cables are tidy and secure. Check to see that any moving aspect of the product can do so unhindered by any cabling. Some products have moving parts and the potential to cause injury through the crushing or trapping of fingers or other body parts. Particular attention to the nature of moving parts is required especially when assembling installing and adjusting during set up.

Immediately after installations double-check that the work done is safe and secure. Double-check all necessary fixings are present and are of ample tightness.

It is recommended that periodic inspections of the product and its fixing points are made as frequently as possible to ensure that safety is maintained. If in doubt consult a professional AV installer or other suitably qualified person.

CS

Společnost B-Tech International Design And Manufacturing Ltd. doporučuje provést instalaci tohoto produktu instalátora AV či jinak způsobilé osoby. Společnost B-Tech International Design And Manufacturing Ltd, její distributoři a prodejci nenesou prostřednictvím odborného odpov. édnost za škody nebo zranění způsobená nevhodnou instalací. Tento výrobek je nutno umístit do vhodné konstrukce a používat jen po uvedené maximální výšce.

DE

B-Tech International Design And Manufacturing Ltd. empfiehlt, dass dieses Produkt durch einen qualifizierten AV-Techniker oder eine andere Person mit geeigneter Qualifikation installiert wird. B-Tech International Design And Manufacturing Ltd, ihre Distributoren und Händler können nicht für durch fehlerhafte Montage verursachte Beschädigung oder Verletzung haftbar bzw. verantwortlich gemacht werden. Dieses Produkt muss auf eine geeignetem Untergrund montiert werden und darf nur bis zum angegebenen Höchstgewicht verwendet werden.

ES

B-Tech International Design And Manufacturing Ltd. recomienda que un instalador de audio y video profesional u otra persona debidamente cualificada instalen este producto. B-Tech International Design And Manufacturing Ltd, sus distribuidores y concesionarios no se hacen cargo ni se responsabilizan de ningún daño o lesión provocados por una instalación inapropiada. Este producto se debe montar en una estructura adecuada y se debe utilizar soportando solamente hasta el peso máximo indicado.

FR

B-Tech International Design And Manufacturing Ltd. recommande de confier l'installation de ce produit à un installateur AV professionnel ou à une autre personne dûment qualifiée. B-Tech International Design And Manufacturing Ltd, ses distributeurs et ses revendeurs ne sauraient être tenus responsables de tout dégât ou de toute blessure résultant d'une installation incorrecte. Ce produit doit être monté sur un support approprié et utilisé dans la limite du poids maximum indiqué.

IT

B-Tech International Design And Manufacturing Ltd. consiglia di affidare l'installazione di questo prodotto a un installatore specializzato o ad altra persona adeguatamente qualificata. B-Tech International Design And Manufacturing Ltd, i suoi distributori e rivenditori non accettano alcuna responsabilità nei riguardi di eventuali danni o infortuni causati da un'errata installazione. Questo prodotto deve essere fissato a una struttura idonea e utilizzato unicamente sino al peso massimo indicato.

NL

B-Tech International Design And Manufacturing Ltd. adviseert om dit product te laten installeren door een professionele AV-instalateur of andere hiervoor gekwalificeerde persoon. B-Tech International Design And Manufacturing Ltd, haar distributeurs en dealers zijn niet aansprakelijk of verantwoordelijk voor schade of letsel die is veroorzaakt door onoordeelkundige installatie. Dit product moet worden gemonteerd aan een geschikte constructie, waarbij het aangegeven maximum gewicht niet mag worden overschreden.

PL

Firma B-Tech International Design And Manufacturing Ltd. zaleca, aby ten produkt był instalowany przez profesjonalnych instalatorów AV lub inny odpowiednio przeszkolony personel. Firma B-Tech International Design And Manufacturing Ltd, jej dystrybutorzy i dealerzy nie ponoszą odpowiedzialności za uszkodzenia lub obrażenia ciała powstałe w wyniku nieprawidłowej instalacji. Niniejszy produkt musi być zamontowany na odpowiedniej powierzchni, a podczas użycowania nie wolno przekraczać podanego maksymalnego obciążenia.

PT

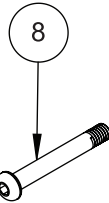
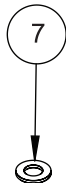
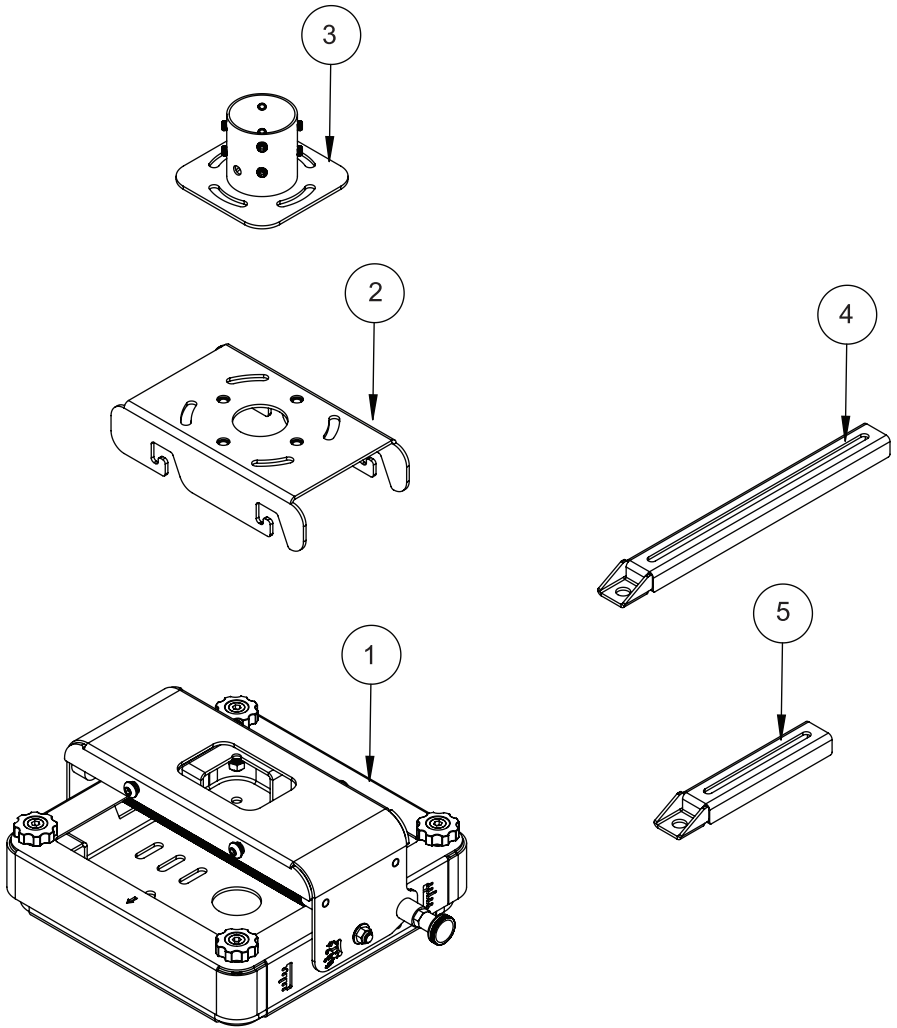
A B-Tech International Design And Manufacturing Ltd. recomenda que a instalação deste produto seja efectuada por um instalador de AV instalador de AV profissional ou outra pessoa devidamente habilitada. A B-Tech International Design And Manufacturing Ltd. e os seus distribuidores e concessionários não são responsáveis por danos ou lesões causados por uma instalação incorrecta. Este produto tem de ser montado numa estrutura adequada e utilizado somente até ao peso máximo indicado.

RU

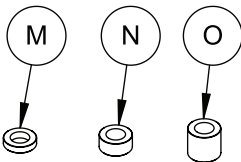
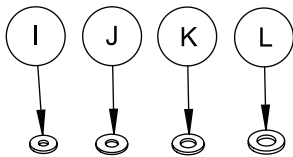
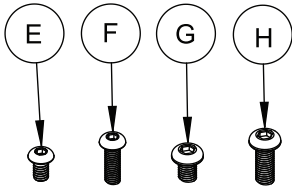
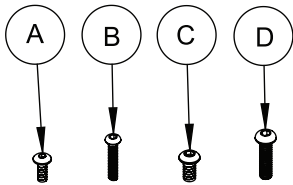
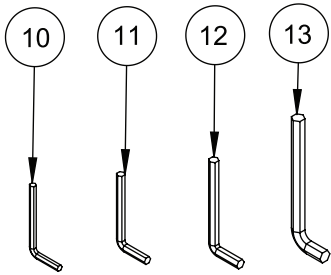
Компания B-Tech International Design And Manufacturing Ltd. рекомендует, чтобы установка данного изделия производилась инженером по установке аудио-видеотехники или другим специалистом с соответствующей квалификацией. Компания B-Tech International Design And Manufacturing Ltd. ее дистрибьюторы и дилеры не несут ответственности за повреждения или травмы, полученные в результате неправильной установки. Данное изделие должно

توصي بي- تك للتجارة الدولية المحدودة بأن شخص محترف في تركيب ال AV او شخص مؤهل تأهيلا مناسباً لتركيبة هذا المنتج. بي- تك للتجارة الدولية، موز عليها والتجار ليست عرضة أو مسؤولة عن الأضرار أو الإصابات الناجمة عن تركيب غير سليم، والاستخدام غير السليم أو عدم مراعاة هذه التعليمات للسلامة. يجب أن يتم تركيب هذا المنتج في بنية مناسبة ويجب استخدام فقط لدعم الحد الأقصى للوزن المشار إليه.

BT893
PARTS LIST



Suitable for loads
up to 70kg



REF	PART NAME	QTY
1	PROJECTOR MOUNT	1
2	CEILING MOUNT	1
3	POLE MOUNT	1
4	LONG LEG	4
5	SHORT LEG	4
6	M8 x 12mm SCREW	16
7	M8 WASHER	4
8	M8 x 60mm SCREW	1
9	SQUARE NUT	12
10	4mm HEX KEY	1
11	5mm HEX KEY	1
12	6mm HEX KEY	1
13	8mm HEX KEY	1
INTERFACE KIT		
A	M6 x 16mm SCREW	6
B	M6 x 30mm SCREW	6
C	M8 x 16mm SCREW	6
D	M8 x 30mm SCREW	6
E	M10 x 16mm SCREW	6
F	M10 x 30mm SCREW	6
G	M12 x 30mm SCREW	6
H	M12 x 16mm SCREW	6
I	M6 WASHER	6
J	M8 WASHER	6
K	M10 WASHER	6
L	M12 WASHER	6
M	M12 x 5mm SPACER	6
N	M12 x 10mm SPACER	6
O	M12 x 20mm SPACER	6

PLEASE KEEP THIS FOR FUTURE REFERENCE

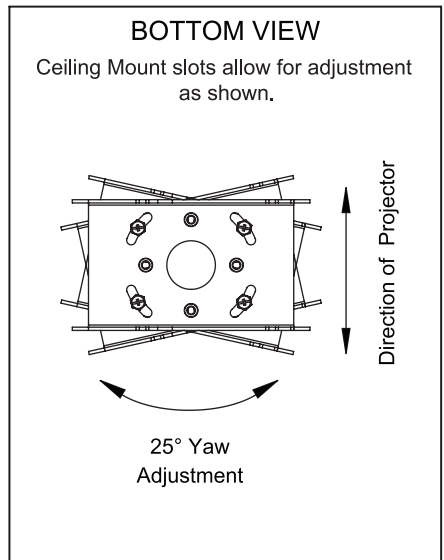
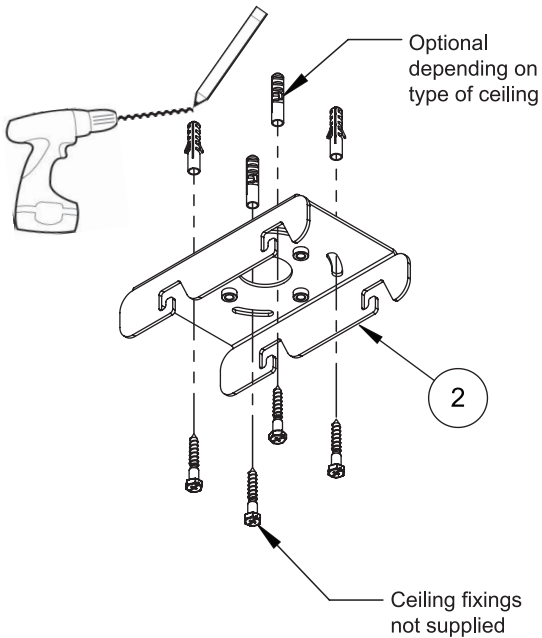
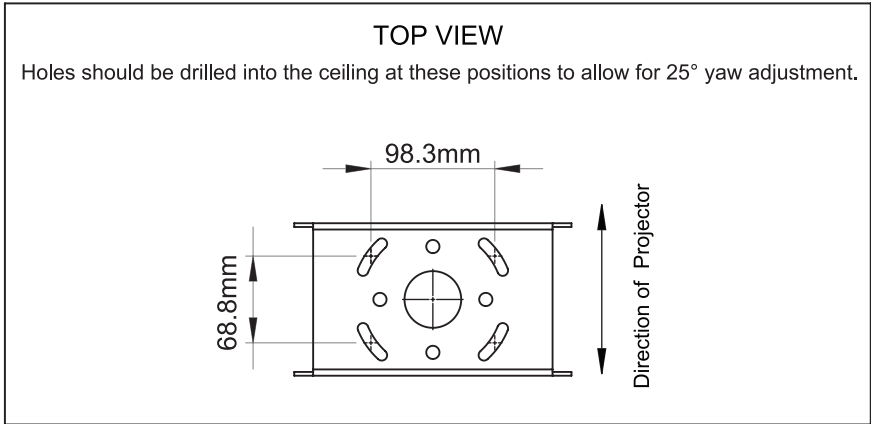
INSTALLATION INSTRUCTIONS

1

Fix Ceiling Mount in Place

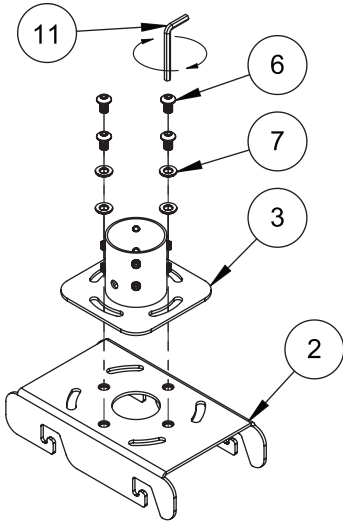
A. Directly to ceiling.

- Fix ceiling mount (part 2) directly to the ceiling using suitable fixings (*not supplied*).

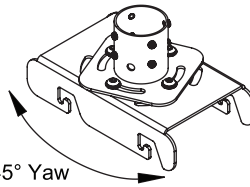
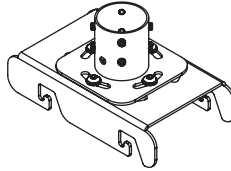


B. Using a pole mount.

i) Fix ceiling mount (part 2) to the pole mount (part 3).



To use yaw adjustment on the pole mount, loosen the 4 M8 x 12mm screws (part 6) by 1 turn. Ensure screws are tightened fully after adjustment has been made.



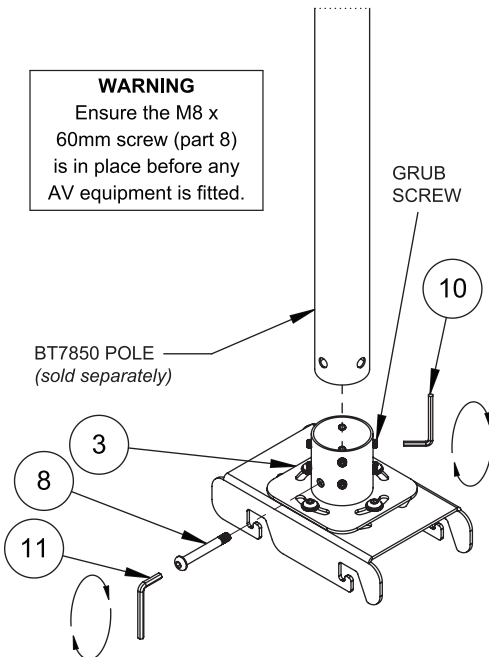
WARNING

Do not completely unscrew the 4 M8 x 12mm screws. Mounting hardware is to be loosened only enough to allow for necessary movement.

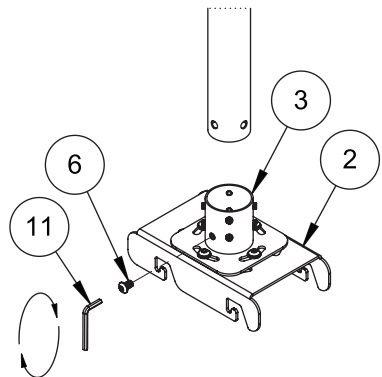
ii) Insert a BT7850 Ø50mm pole (sold separately) into the pole mount (part 3) and secure in place using the M8 x 60mm screw (part 8). Tighten grub screws using the 4mm hex key (part 10).

WARNING

Ensure the M8 x 60mm screw (part 8) is in place before any AV equipment is fitted.



NOTE: M8 x 60mm screw (part 8) can be replaced with M8 x 12mm screw (part 6) to prevent cables being obstructed.



WARNING

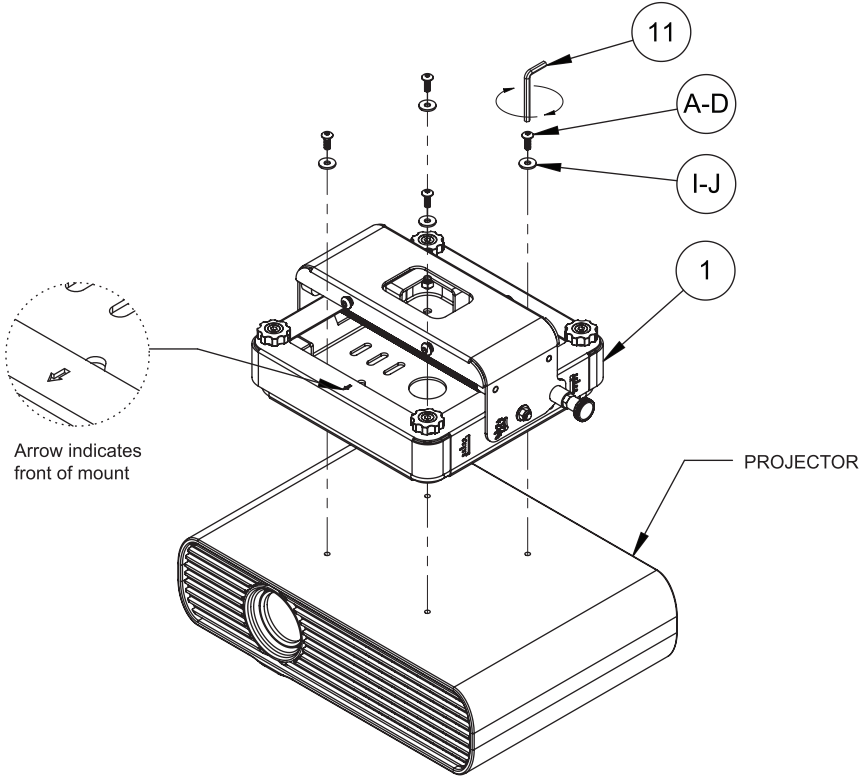
Ensure the M8 x 12mm screw (part 6) is in place before any AV equipment is fitted.

2

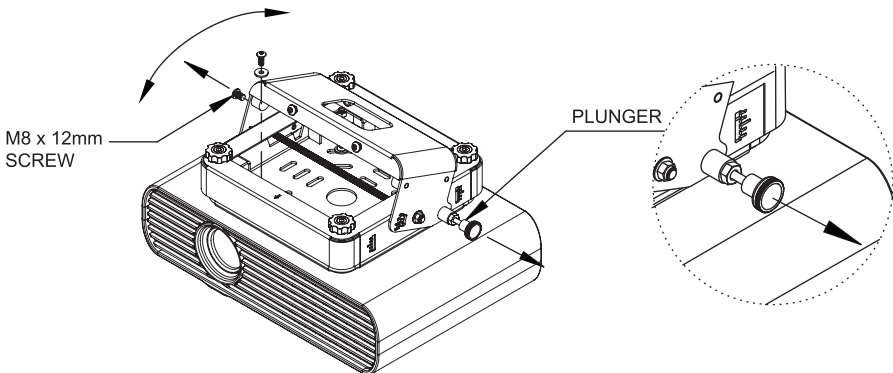
Attach Projector Mount to Projector

A. Without legs (up to 200 x 200mm fixing centres).

Attach projector mount (part 1) directly to the projector using screws from the interface kit (parts A - D & I - J) and appropriate hex key (parts 10 -13). Fix mount by using suitable holes and / or slots on the bottom of the projector mount.



Note: The tilt adjustment feature can be used to help access fixing holes. Remove the M8 x 12mm screw as shown and pull the plunger to change tilt adjustment.



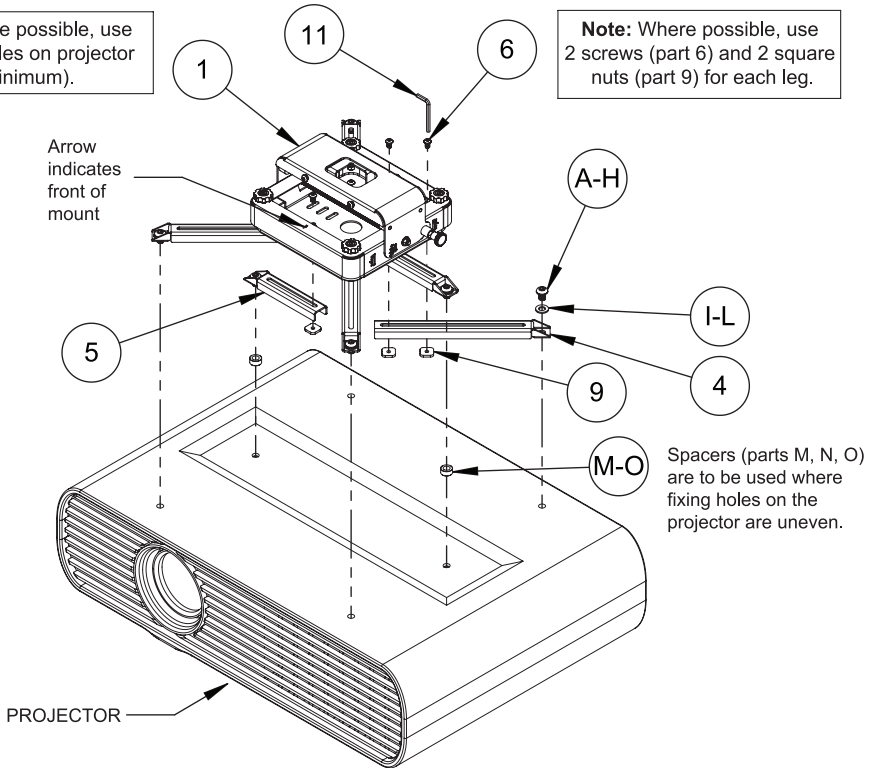
B. Using legs

Attach legs (parts 4 & 5) to projector mount (part 1) using M8 x 12mm screws (part 6) and square nuts (part 9).

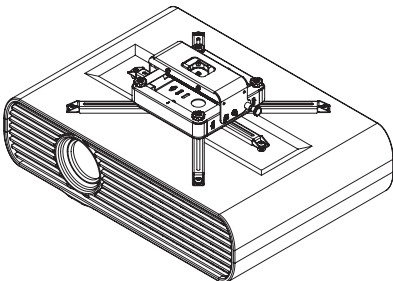
Fix legs to the projector using fixings from the interface kit (parts A - O).

Note: Where possible, use all fixing holes on projector (4 minimum).

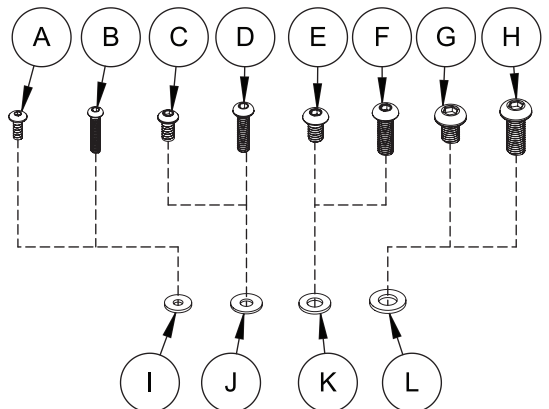
Note: Where possible, use 2 screws (part 6) and 2 square nuts (part 9) for each leg.



Projector Mount attached to projector using 4 long legs and 2 short legs:



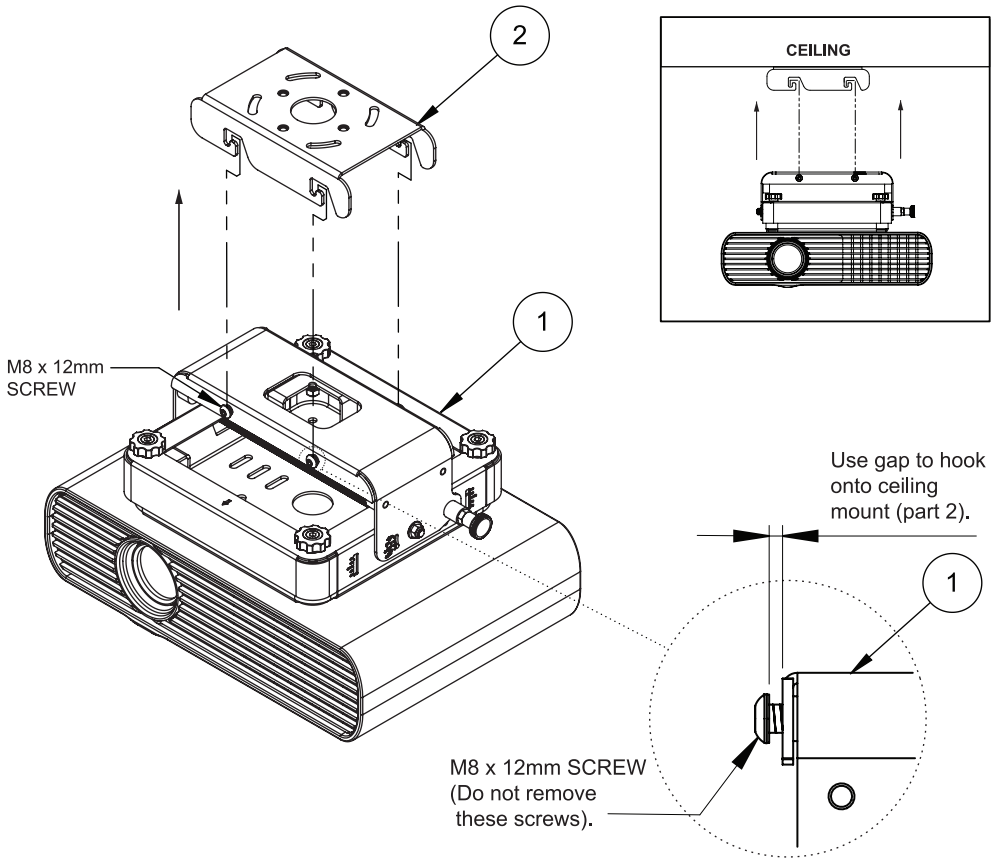
Interface Screws



3

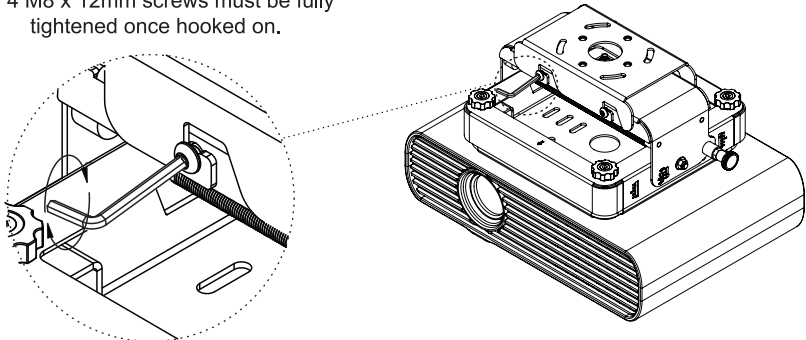
Hook Projector Mount onto Ceiling Mount

Hook the 4 M8 x 12mm screws (attached to the projector mount) into the 4 hooks on the ceiling mount (part 2). Fully tighten all 4 screws once hooked on.



IMPORTANT

All 4 M8 x 12mm screws must be fully tightened once hooked on.



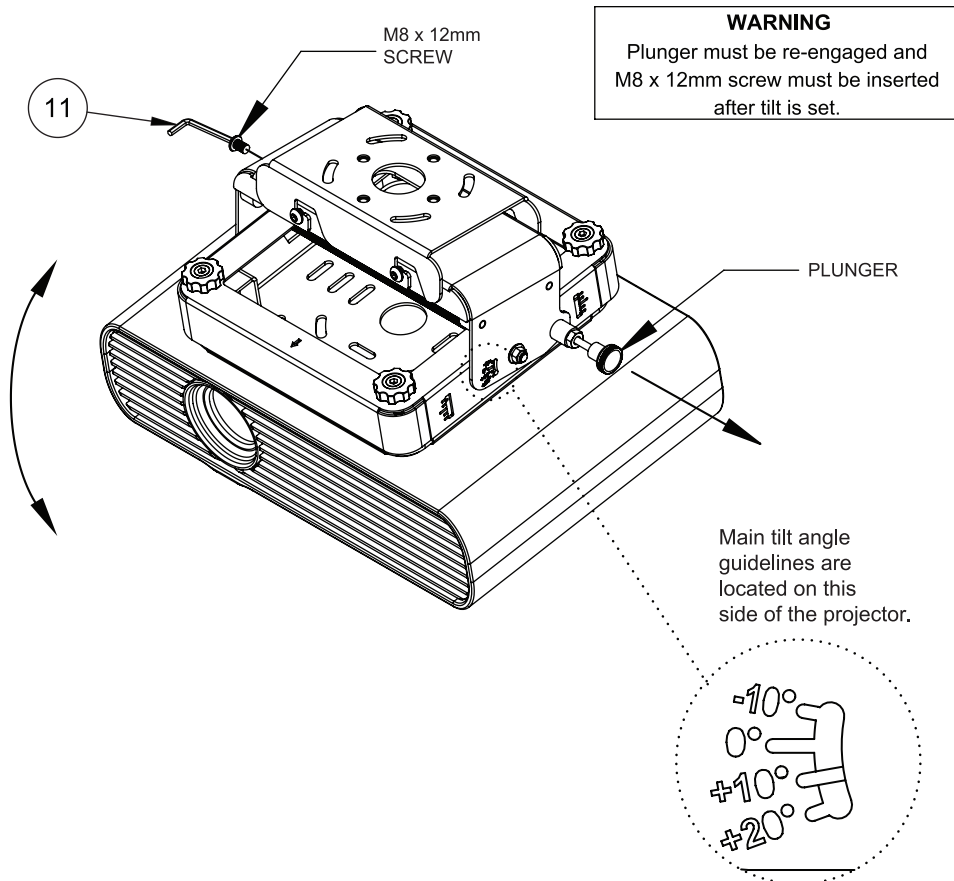
Set Adjustments

A. Set main tilt angle adjustment (-10° / $+20^{\circ}$)*.

*An $\pm 5^{\circ}$ additional tilt is available when the micro-adjustment is used.

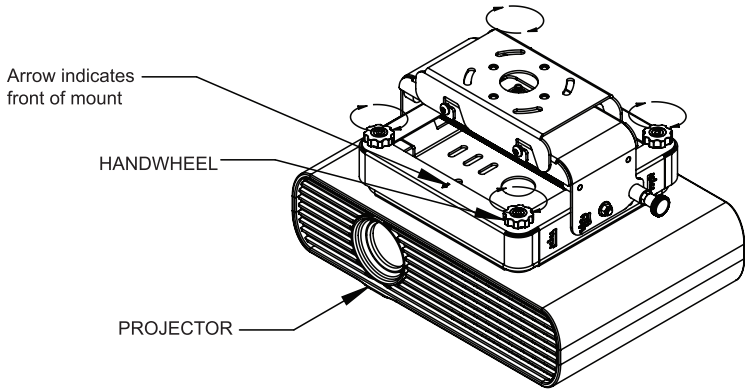
Remove M8 x 12mm screw.

Hold projector steady, pull plunger to disengage and change tilt. When desired tilt is reached, ensure plunger is fully engaged and replace M8 x 12mm screw.

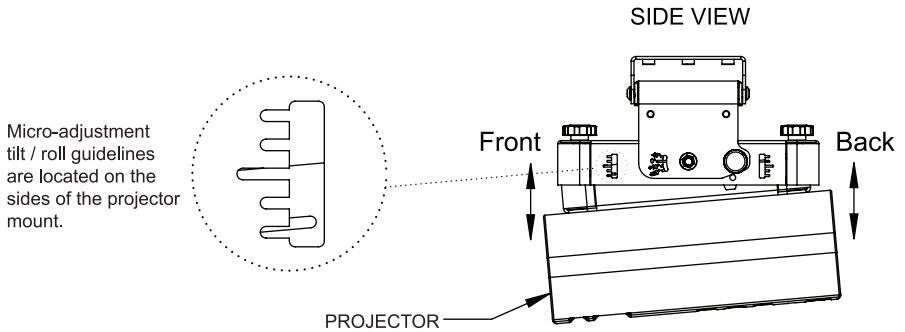


B. Micro-adjust the projector tilt / roll angle (+/-5° tilt / +/-5° roll).

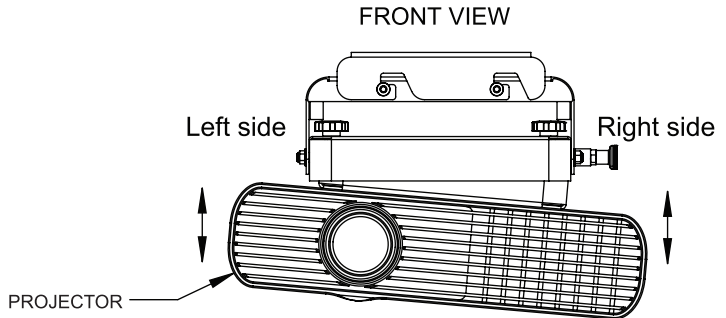
Turn handwheels clockwise to raise, or anti-clockwise to lower projector.



i) Micro-adjust the tilt using either the front 2, or back 2 handwheels simultaneously (+/-5° tilt).



ii) Micro-adjust the roll using either the left 2, or right 2 handwheels simultaneously (+/-5° roll).

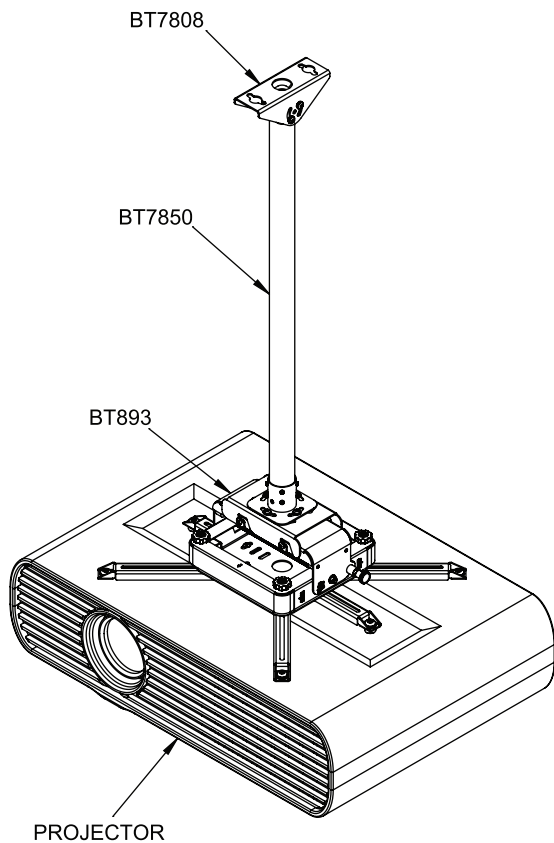


WARNING

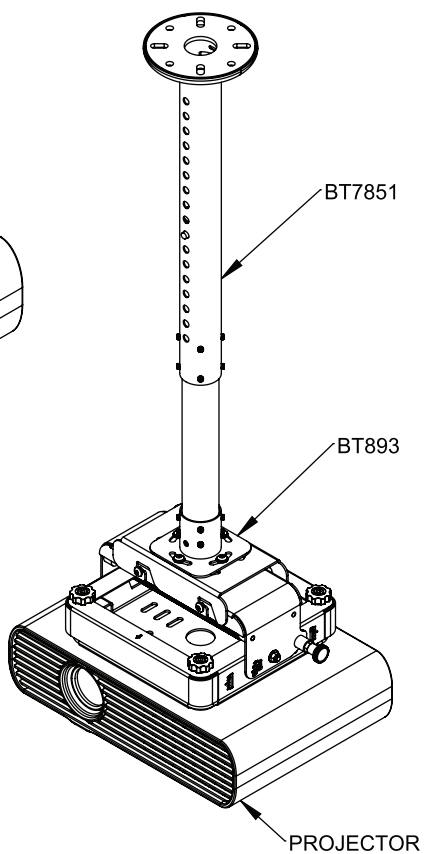
B-Tech recommends that you do not use yaw adjustment when the projector is mounted. This should be done before the projector is attached.

BT893 TYPICAL POLE INSTALLATIONS

Ceiling mount suitable for
flat or angled ceilings

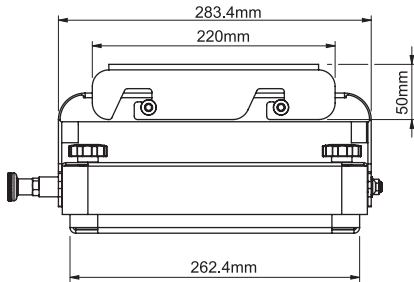


Adjustable ceiling mount
with telescopic pole

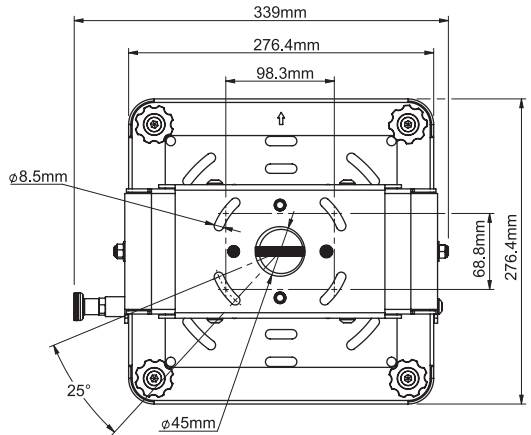


BT893 PRODUCT DIMENSIONS

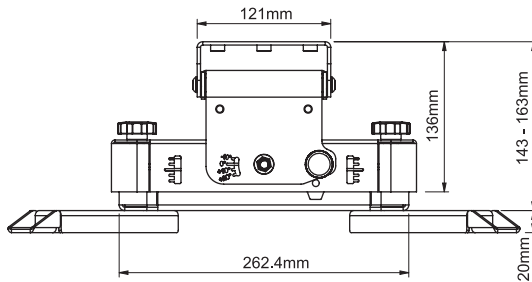
FRONT VIEW



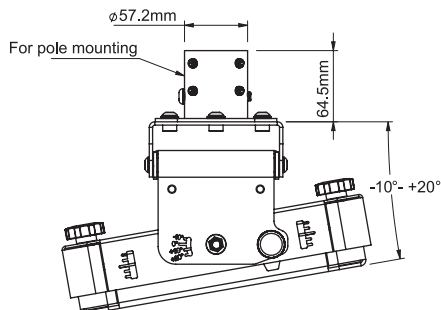
TOP VIEW



SIDE VIEW (WITH LEGS)

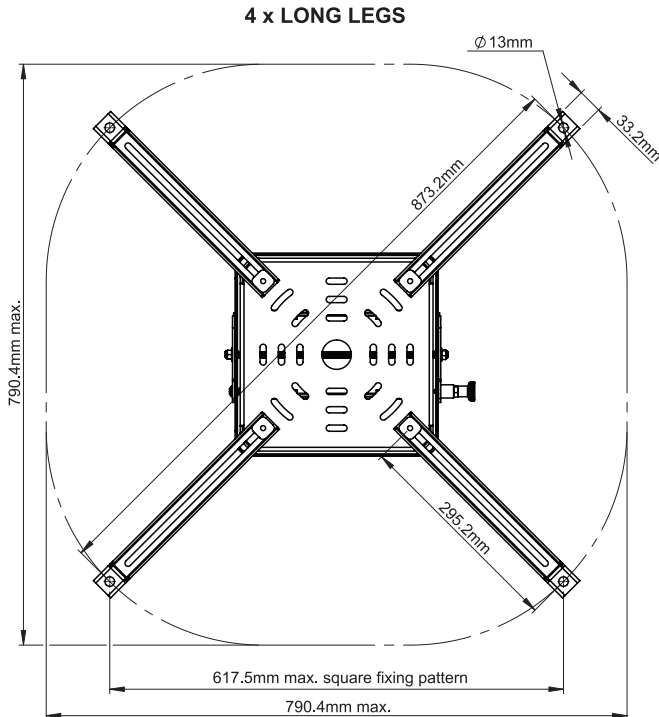
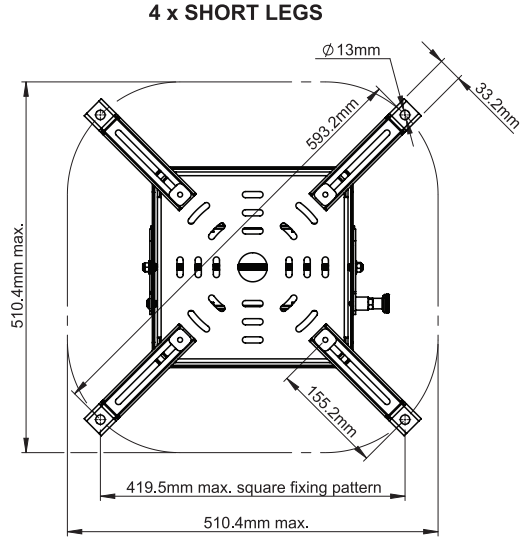
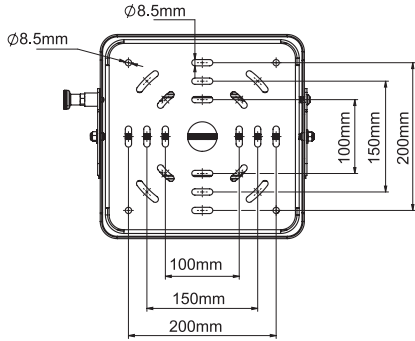


SIDE VIEW (WITH POLE ADAPTOR)



THESE INSTRUCTIONS ARE INTENDED AS A GUIDE ONLY AND B-TECH ACCEPTS NO LIABILITY FOR THE ACCURACY OF THE INFORMATION CONTAINED IN THIS DOCUMENT.

BT893 PRODUCT DIMENSIONS



THESE INSTRUCTIONS ARE INTENDED AS A GUIDE ONLY AND B-TECH ACCEPTS NO LIABILITY FOR THE ACCURACY OF THE INFORMATION CONTAINED IN THIS DOCUMENT.



www.btechavmounts.com

B-TECH AV MOUNTS

HEAD OFFICE

B-Tech International Limited

Bennett House, Long March, Daventry, Northants., NN11 4NR, UK

Email: info@btechavmounts.com

©2018 B-Tech International Design and Manufacturing Limited. All rights reserved.

B-Tech AV Mounts is a division of B-Tech International Design & Manufacturing Ltd.

B-Tech, Better By Design, System 2 and Pro Install are registered trademarks of B-Tech International Design & Manufacturing Ltd.

All other brands and product names are trademarks of their respective owners.

Photographs are for illustrative purposes only. E&OE.