

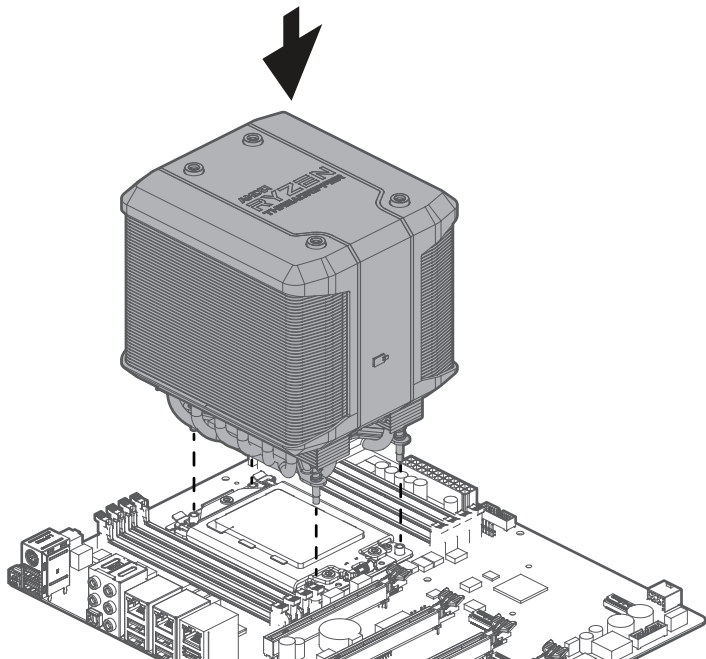


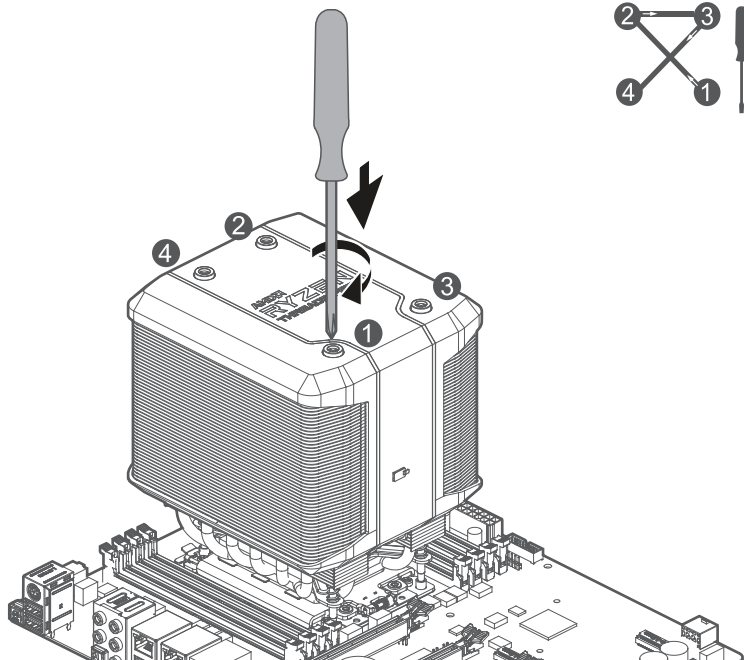
Make It Yours.

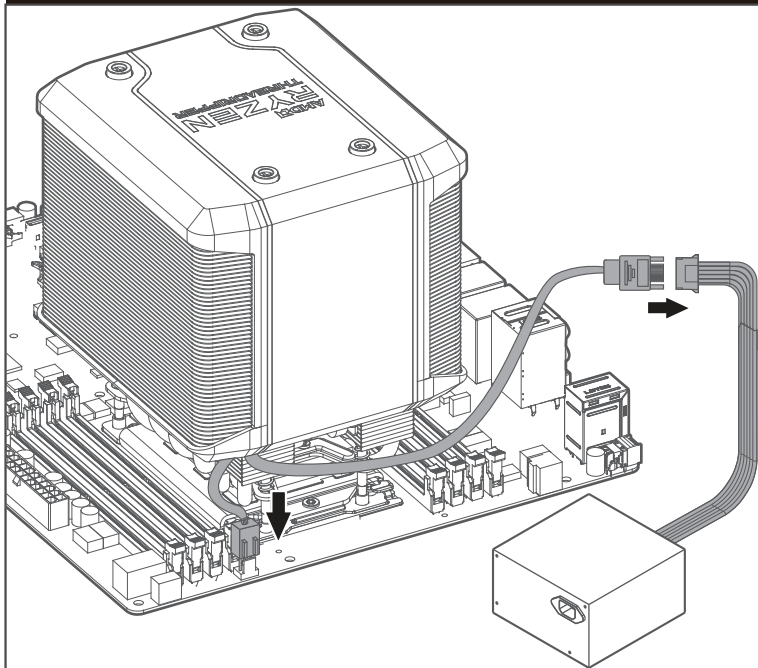
WRAITH RIPPER

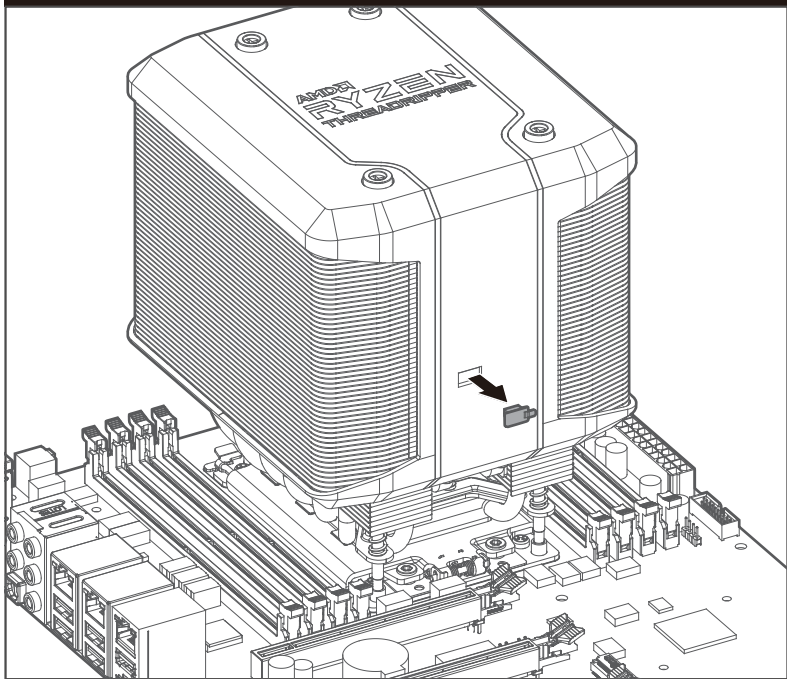
USER MANUAL

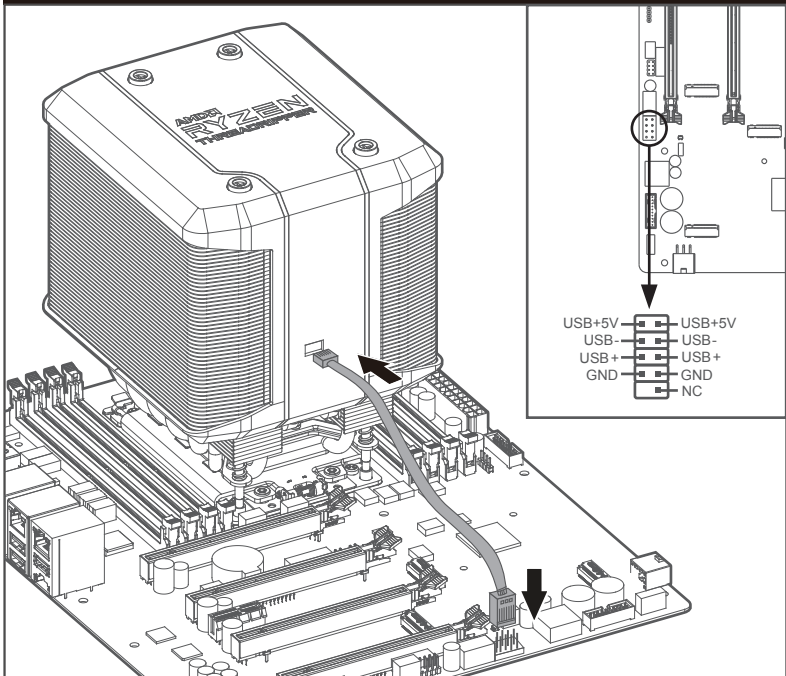
1











Install software

STEP1 : Download Wraith Ripper RGB software

<http://www.coolermaster.com/amd-wraith-ripper-rgb-software>



STEP2 : Unzip and double click file.

STEP3 : Start installation process.

STEP4 : Your Wraith Ripper RGB software is ready to use.

ADDITIONAL INFORMATION

Please visit our website at www.coolermaster.com

Asia Pacific - Cooler Master Technology Inc.
8F., No. 788-1, Zhongzheng Rd., Zhonghe Dist.,
New Taipei City 23586, Taiwan (R.O.C.).
Tel: +886-2-2225-3517

China - Cooler Master China
Room 2062, Floor 6, No. 421, Weiqing Rd.,
Jinshan District, Shanghai City, China
Tel: +86-21-51872177

Europe - Cooler Master Europe B.V.
Lodewijkstraat 1b, 5652AC Eindhoven, The
Netherlands
Tel: +31-(0)40-702-0900

North America - Cooler Master NA
4820 Schaefer Ave. Chino CA. 91710, USA
Tel: +1-888-624-5099

For the most updated information, please visit our official website: www.coolermaster.com /
Cooler Master Support: <https://account.coolermaster.com/>



Ver 1.0: 2018/07

©2018 Cooler Master Technology Inc. All Rights Reserved. All trademarks are registered to their respective owners.