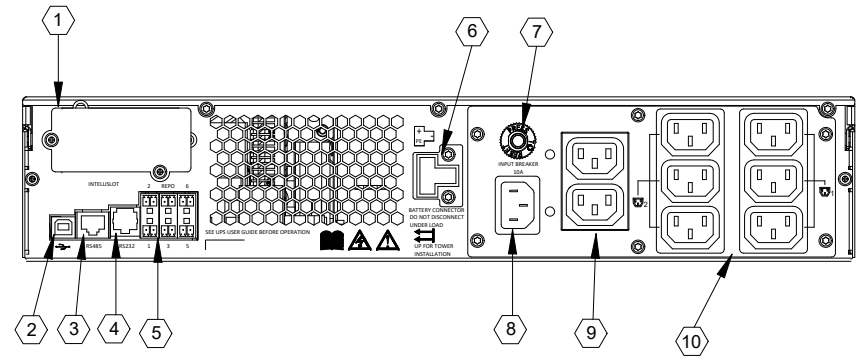
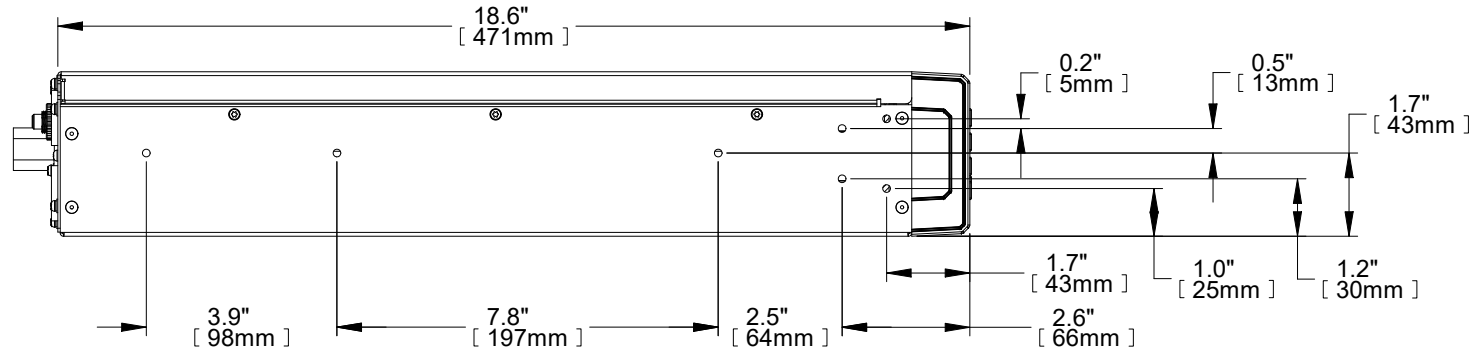


FRONT VIEW

FOR DETAIL
SEE DRAWING GXT5-DISPLAY



REAR VIEW



SIDE VIEW

- | | |
|--------------------------------|---|
| ① INTELLISLOT PORT | ⑥ EXTERNAL BATTERY CONNECTOR |
| ② USB PORT | ⑦ 10A INPUT CIRCUIT BREAKER |
| ③ RS485 PORT | ⑧ INPUT POWER PLUG AND CABLE (C14) |
| ④ RS232 PORT | ⑨ NON-PROGRAMMABLE C13 OUTPUT RECEPTACLES |
| ⑤ TERMINAL BLOCK COMMUNICATION | ⑩ PROGRAMMABLE C13 OUTPUT RECEPTACLES |

NOTES:

- UNIT DIMENSIONS (WxDxH): 16.9" x 18.6" x 3.3" (2U)
(430mm) x (471mm) x (85mm)
- UNIT WEIGHT: 46.2lbs (21kg)
- SHIPPING DIMENSIONS (WxDxH): 22.4" x 24.3" x 10.3"
(570mm) x (617mm) x (262mm)
- SHIPPING WEIGHT: 69.6lbs (31.6kg)
- MINIMUM AIRFLOW CLEARANCE IS 4.0" (100mm)
FRONT AND REAR.

DRAWN BY B. LAY	SHEET NO. 1 OF 1
CHK BY L. JOHNSON	ECN NO.
REF. DWG.	ORDER NO.

OUTLINE DRAWING
LIEBERT GXT5 1500VA
230VAC RACK/TOWER UPS

DWG. NO. GXT5-1500I_OD	DATE 10/29/19	REV. # 1	1050 DEARBORN DRIVE P.O. BOX 29186 COLUMBUS, OHIO 43229
---------------------------	------------------	-------------	---

FILE NAME: I:\dpgeng\GXT5\Submittals(A)\Outline Dwg\GXT5-1500I_OD

