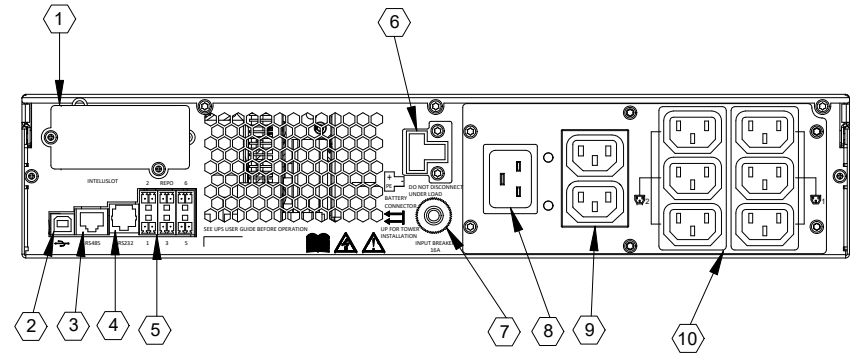
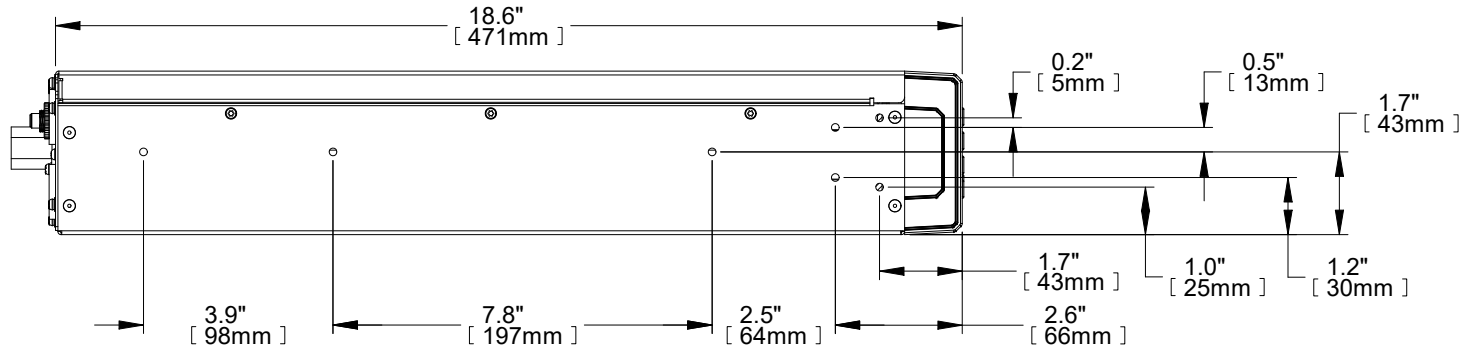


**FRONT VIEW**

FOR DETAIL  
SEE DRAWING GXT5-DISPLAY



**REAR VIEW**



**SIDE VIEW**

- |                                |   |
|--------------------------------|---|
| ① INTELLISLOT PORT             | ⑥ EXTERNAL BATTERY CONNECTOR              |
| ② USB PORT                     | ⑦ 16A INPUT CIRCUIT BREAKER               |
| ③ RS485 PORT                   | ⑧ INPUT POWER PLUG AND CABLE (C20)        |
| ④ RS232 PORT                   | ⑨ NON-PROGRAMMABLE C13 OUTPUT RECEPTACLES |
| ⑤ TERMINAL BLOCK COMMUNICATION | ⑩ PROGRAMMABLE C13 OUTPUT RECEPTACLES     |

**NOTES:**

- UNIT DIMENSIONS (WxDxH): 16.9" x 18.6" x 3.3" (2U)  
(430mm) x (471mm) x (85mm)
- UNIT WEIGHT: 46.2lbs (21kg)
- SHIPPING DIMENSIONS (WxDxH): 22.4" x 24.3" x 10.3"  
(570mm) x (617m) x (262mm)
- SHIPPING WEIGHT: 70.5lbs (32kg)
- MINIMUM AIRFLOW CLEARANCE IS 4.0" (100mm)  
FRONT AND REAR.

DRAWN BY B. LAY	SHEET NO. 1 OF 1
CHK BY L. JOHNSON	ECN NO.
REF. DWG.	ORDER NO.

OUTLINE DRAWING  
LIEBERT GXT5 2000VA  
230VAC RACK/TOWER UPS

DWG. NO. GXT5-2000I_OD	DATE 10/29/19	REV. # 1	1050 DEARBORN DRIVE P.O. BOX 29186 COLUMBUS, OHIO 43229
---------------------------	------------------	-------------	---

FILE NAME: I:\dpgeng\GXT5\Submittals(A)\Outline Dwg\GXT5-2000I\_OD

