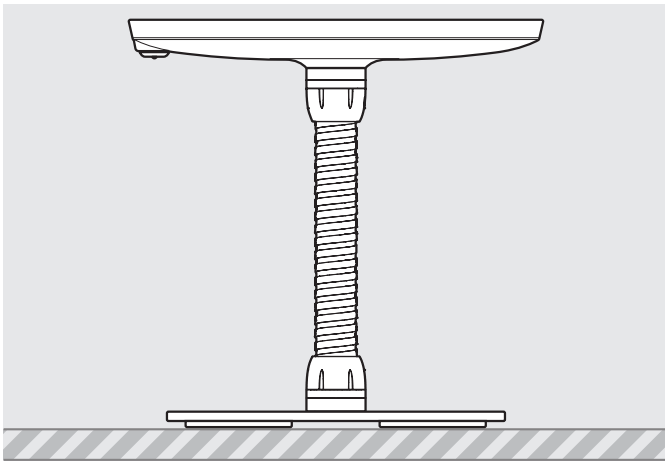


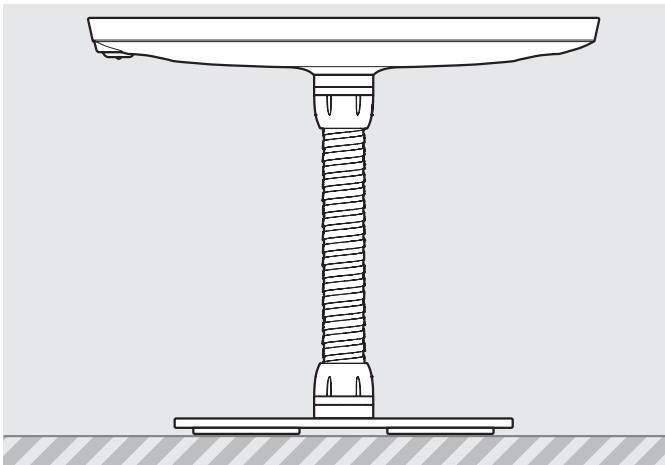
## Mini Case supported devices:

- iPad Mini 1
- iPad Mini 2
- iPad Mini 3
- iPad Mini 4
- iPad Mini (2019)



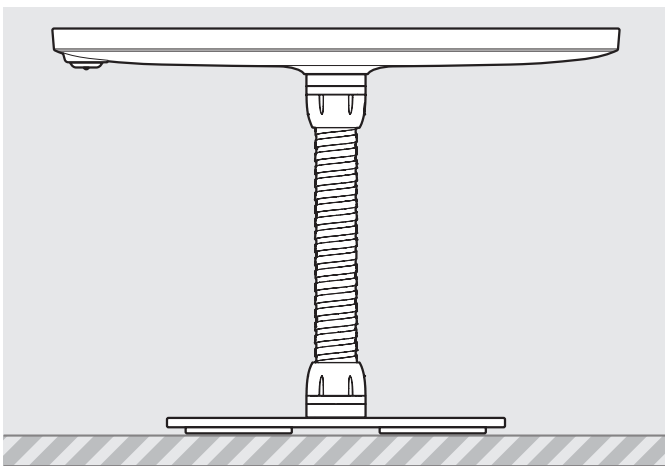
## Midi Case supported devices:

- iPad 6th Gen
- iPad 5th Gen
- iPad 4th Gen
- iPad 3rd Gen
- iPad Pro 9.7
- iPad Air 1
- iPad Air 2
- Samsung Tab S2 9.7
- Samsung Tab S3 9.7
- Samsung Tab A 9.7



## Maxi Case supported devices:

- iPad Pro 10.5
- iPad Pro 11.0
- iPad Air (2019)
- Samsung Tab A6 10.1
- Samsung Tab A 10.1
- Samsung Tab A 10.5
- Samsung Tab 4 10.1
- Microsoft Surface Go



## Mega Case supported devices:

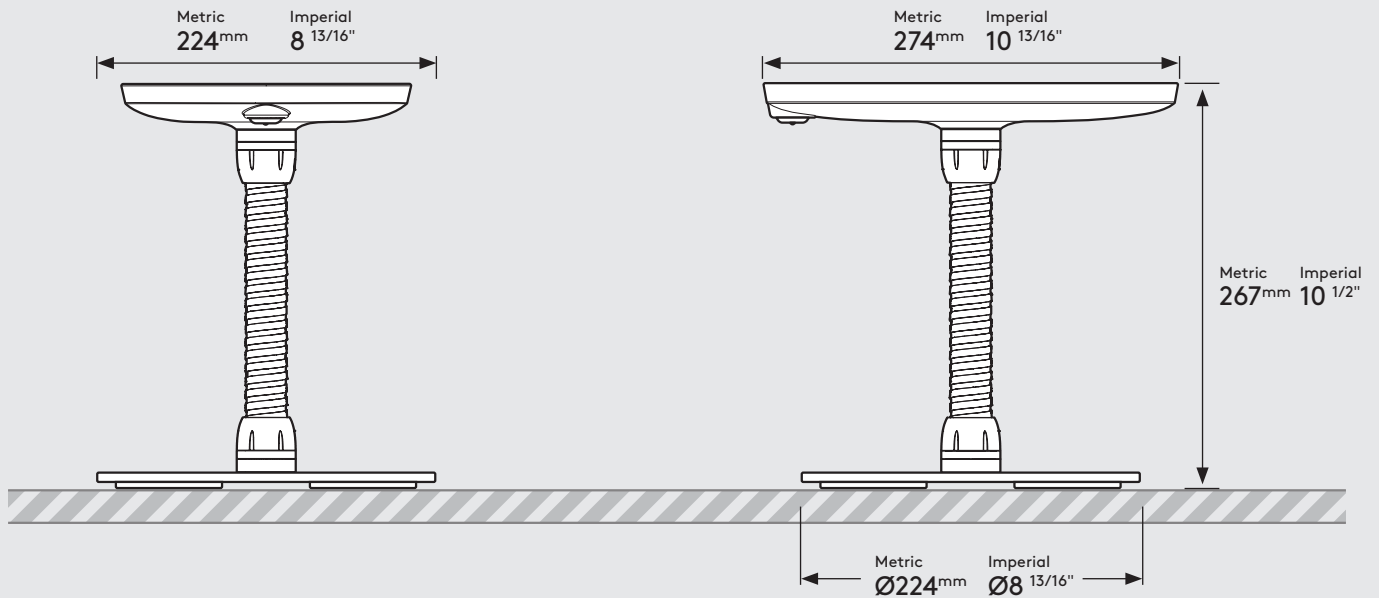
- iPad Pro 12.9" 1st Gen
- iPad Pro 12.9" 2nd Gen
- iPad Pro 12.9" 3rd Gen
- Microsoft Surface Pro 4
- Microsoft Surface Pro 5

# PRODUCT DATA SHEET - BOUNCEPAD COUNTER FLEX

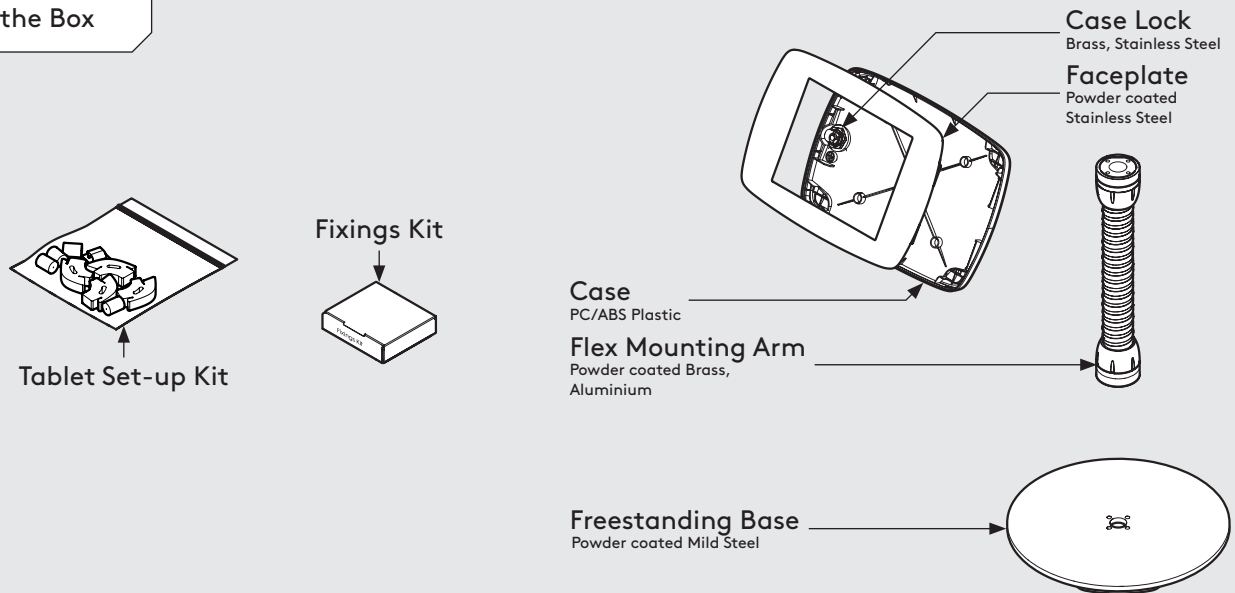
**bouncepad**<sup>®</sup>

**Case:** Mini    **Arm:** Flex    **Mounting:** Freestanding Base    **Packaged weight:** 4.1kg    **Colour:** White  
Black

## Dimensions



## Parts in the Box

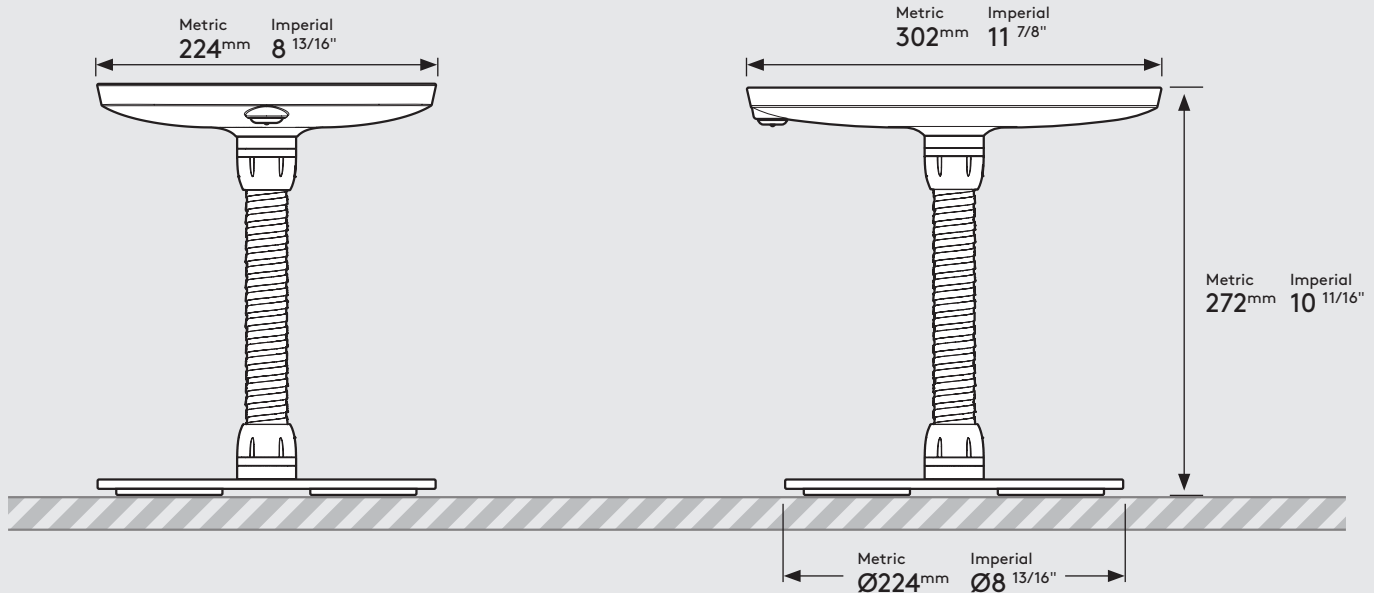


# PRODUCT DATA SHEET - BOUNCEPAD COUNTER FLEX

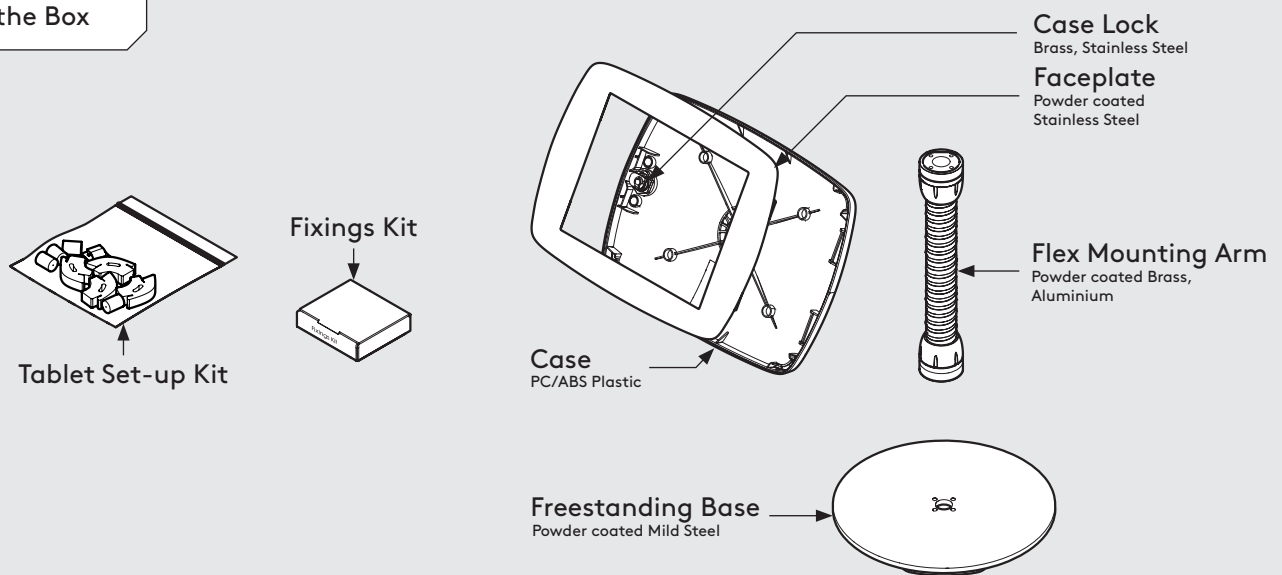
**bouncepad**<sup>®</sup>

**Case:** Midi    **Arm:** Flex    **Mounting:** Freestanding Base    **Packaged weight:** 4.3kg    **Colour:** White  
Black

## Dimensions



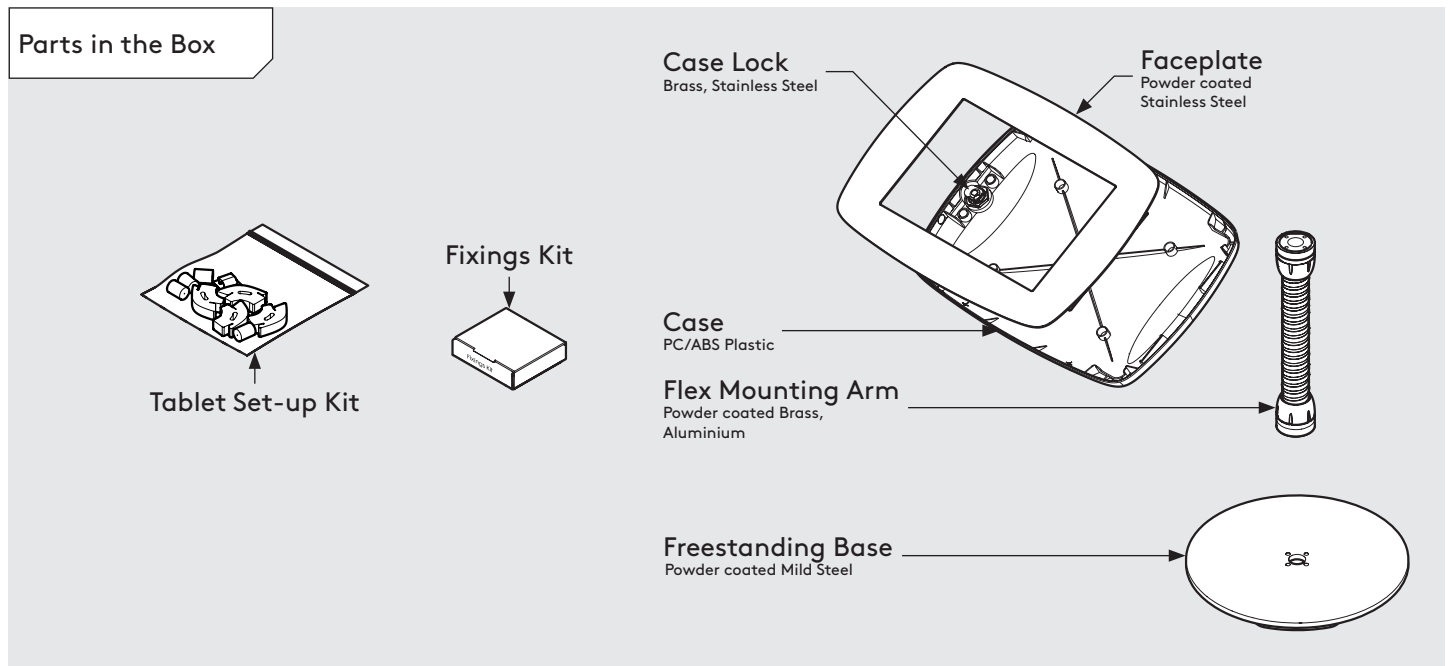
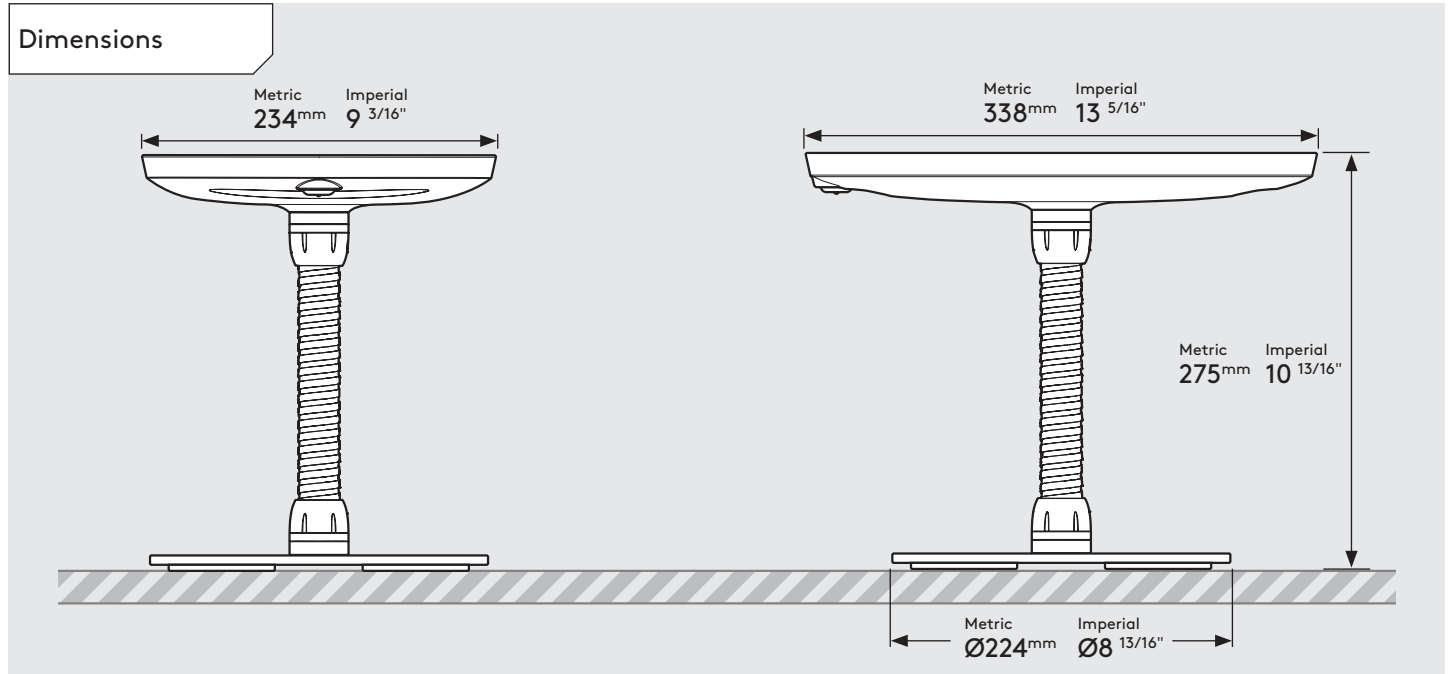
## Parts in the Box



# PRODUCT DATA SHEET - BOUNCEPAD COUNTER FLEX

**bouncepad**<sup>®</sup>

**Case:** Maxi    **Arm:** Flex    **Mounting:** Freestanding Base    **Packaged weight:** 4.5kg    **Colour:** White  
Black



# PRODUCT DATA SHEET - BOUNCEPAD COUNTER FLEX

**bouncepad**<sup>®</sup>

**Case:** Mega    **Arm:** Flex    **Mounting:** Freestanding Base    **Packaged weight:** 5.0kg    **Colour:** White  
Black

