

DS-LEDCLAAF-3X3

Cart/Stand

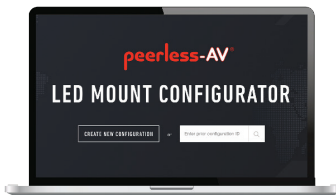
FOR LG 130" ALL-IN-ONE LED SCREEN (LAA015F)



Peerless-AV's Cart/Stand is designed exclusively for the LG 130" All-in-one LED Screen (LAA015F), offering a slim, space-saving, and aesthetically appealing design. With a sleek, yet sturdy frame and a design that focuses on versatility and ease of cable management, integrators can quickly and easily mount the large LED display configuration as a mobile or fixed solution. Peerless-AV® also offers start to finish support through the SEAMLESS LED Video Wall Integration Program. The Peerless-AV LED Solutions Team is there every step of the way to ensure every customer receives SEAMLESS product support and service.



- Modular display installation lowers cost by reducing the amount of labor required
- Sleek, aesthetically appealing design
- Tested by Peerless-AV® to UL2442 standard to provide a trusted level of safety
- Compatible with LG bezel finishing kit (ACC-LAAMF15) to create a sleek and stylish appearance ideal for any professional application



Visit Peerless-AV.com/SEAMLESS to get your project started!



CABLE MANAGEMENT
Routes through the legs resulting in a clean installation

VERSATILE DESIGN
Includes both casters and feet, allowing this solution to be either mobile or fixed depending on the application



EXPERT TEAM




MARKETING SUPPORT



CUSTOM CAPABILITY



DEDICATED LED SOLUTIONS



PRECISION ENGINEERING



LIGHTWEIGHT DESIGN



INSTALLER FRIENDLY



CERTIFIED TRAINING

DS-LEDCLAAF-3x3 Cart/Stand for LG 130" All-in-one LED Screen (LAA015F)

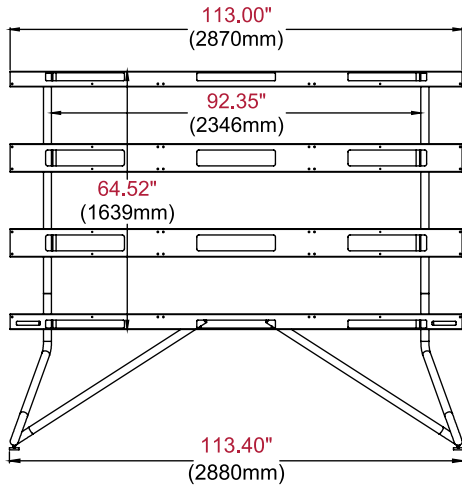
Product Specifications

	DIMENSIONS (W x H x D)	PRODUCT WEIGHT	LOAD CAPACITY	FINISH	COLOUR
DS-LEDCLAAF-3x3	Stand: 113.40" x 94.88" x 38.00" (2880 x 2410 x 965mm) Cart: 113.40" x 99.04" x 38.00" (2880 x 2516 x 965mm)	TBD	425lb (193kg)	Powder Coat & Clear Anodized Finish	Black

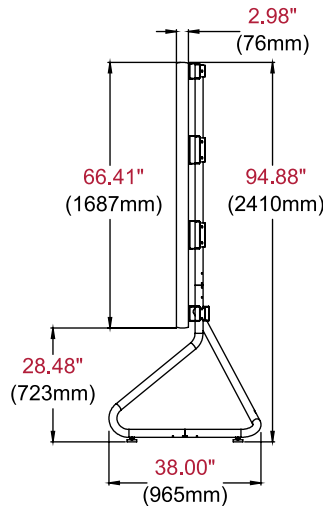
Package Specifications

	PACKAGE SIZE (W x H x D)	PACKAGE SHIP WEIGHT	PACKAGE UPC CODE	PACKAGE CONTENTS	UNITS IN PACKAGE
DS-LEDCLAAF-3x3	116.5" x 7.87" x 28.74" (2960 x 200 x 730mm)	244 lbs (111kg)	735029334408	Frame, Casters, Feet & Mounting Hardware	1

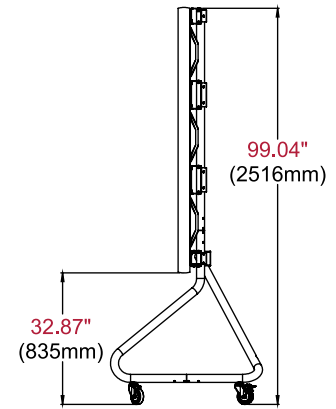
All dimensions = inch (mm)



FRONT VIEW



SIDE VIEW WITH CABINET



SIDE VIEW WITH CASTERS & CABINET

Architect Specifications

The Cart/Stand shall be a Peerless-AV model DS-LEDCLAAF-3x3 and shall be located where indicated on the plans. Assembly and installation shall be done according to instructions provided by the manufacturer.

Visit peerless-av.com to see the complete line of AV solutions from Peerless-AV, including outdoor displays, wireless, kiosks, digital audio, display mounts, projector mounts, carts/stands, and a full assortment of accessories.

Peerless-AV
2300 White Oak Circle
Aurora, IL 60502 USA
(800) 865-2112
(630) 375-5100
Fax: (800) 359-6500

Peerless-AV EMEA
Unit 3 Watford Interchange
Colonial Way, Watford
Herts, WD24 4WP
United Kingdom
+44 (0) 1923 200100
Fax: +44 (0) 1923 200101

Peerless-AV Latin America
Av. de las Industrias 413
Parque Industrial Escobedo
General Escobedo, N.L.,
México, 66062
+52 (81) 8384-8300
Fax: +52 (81) 8384-8360

