

STYLISH
HIGH-END
AESTHETIC

BT8562

UNIVERSAL FLAT SCREEN TROLLEY

As part of B-Tech's Designer Trolley range, the BT8562 is a high-end mounting solution which adds a touch of aesthetic class to any mobile display requirement. Available in a choice of black, silver and white, with contrasting dual colour accents and a triangular shaped column, the BT8562 has a modern, contemporary look and is universally suitable for mounting screens in both landscape and portrait orientations. Levelling screws allow post-installation screen levelling and integrated cable management keeps finished installations looking neat and tidy. Non-marking, braked castors make repositioning quick and easy without marking or scuffing floor surfaces and AV components such as shelves can be fitted directly to the column to accessorise the install.

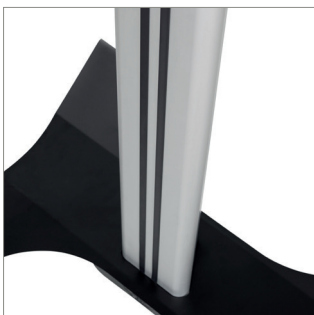
SPECIFICATION

Recommended screen size	up to 70"
Max load	70kg
VESA® & non-VESA fixings	up to 600 x 400mm
Trolley dimensions	H:1932* W:1075 D:863mm
Colour options	Black, Black & Silver or White

*Measurement from floor to top of vertical column (including end cap)

FEATURES

- Universal design suitable for displaying screens in a landscape or portrait orientation
- Non-marking locking / braked castors included
- Collar compatible accessories such as shelves (available separately) can be fitted directly to the column
- Interface arms include levelling screws to adjust the height of the screen
- Integrated cable management for a smart installation
- Safety screws help prevent unauthorised removal of screen
- Dual colour options available for a modern, contemporary look
- Simple 'hook-on' screen installation with all mounting hardware included



Dual colour options available for a modern contemporary look



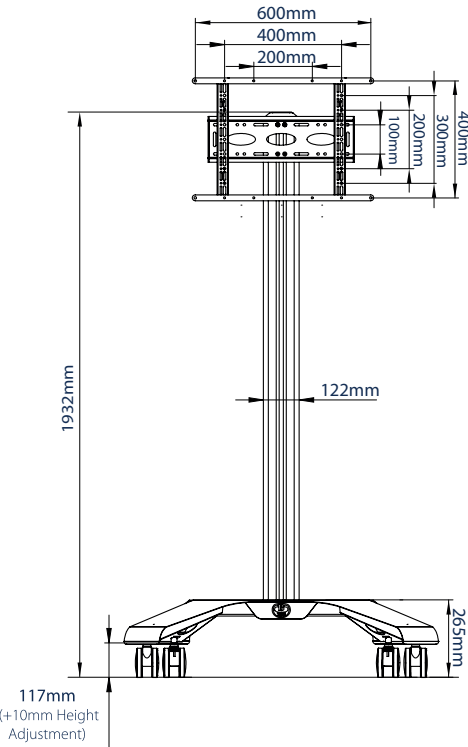
Non-marking locking / braked castors included



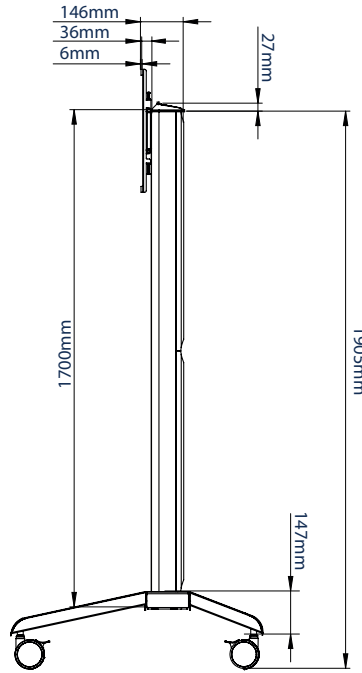
Interface arms include levelling screws to adjust the height of the screen



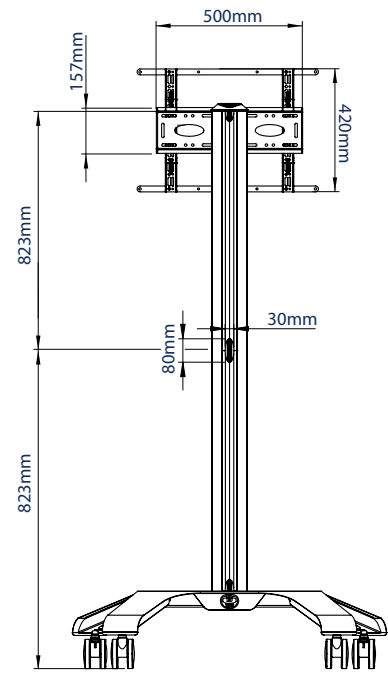
AV accessory shelves can be fitted directly to the columns



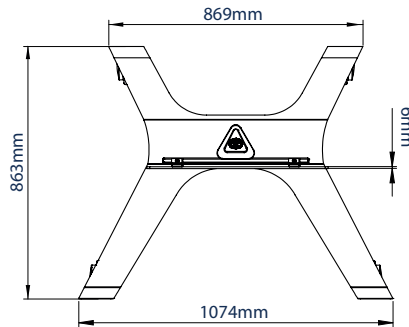
FRONT VIEW



SIDE VIEW



REAR VIEW



TOP VIEW

PACKING INFORMATION

PLEASE NOTE, THIS IS A 2 BOX ITEM

COLOUR:	ORDER REF:	EAN CODE:	MASTER CARTON WEIGHT:	MASTER CARTON CUBE:
Black	BT8562/BB	5019318301780	30kg / 9kg	0.278cbm / 0.046cbm
Black & Silver	BT8562/BS	5019318301797	30kg / 9kg	0.278cbm / 0.046cbm
White	BT8562/WW	5019318301803	30kg / 9kg	0.278cbm / 0.046cbm

RELATED PRODUCTS AND ACCESSORIES



AV Accessory Shelves can be fitted directly to the vertical column



Video Conferencing Camera Shelf can be fitted directly to the vertical column



Flat Screen Trolley with Flip Rotation



Universal Flat Screen Trolley with Adjustable Height

© 2016 B-Tech Professional Design & Manufacturing Ltd. All rights reserved. The information in this specification sheet reflects the current technical specifications at the time of print. We reserve the right to change the technical or physical specifications without prior notice. This B-Tech Professional Design & Manufacturing Ltd. specification is intended for informational purposes only. It is not intended to be used as a contract. Any reproduction or transmission or replication of any part of this specification is expressly prohibited, unless prior written permission has been granted by B-Tech Professional Design & Manufacturing Ltd. (B-Tech).

SS-V1-BT8562-111219