

ACC-MSP



**Max Load**  
Dedicated

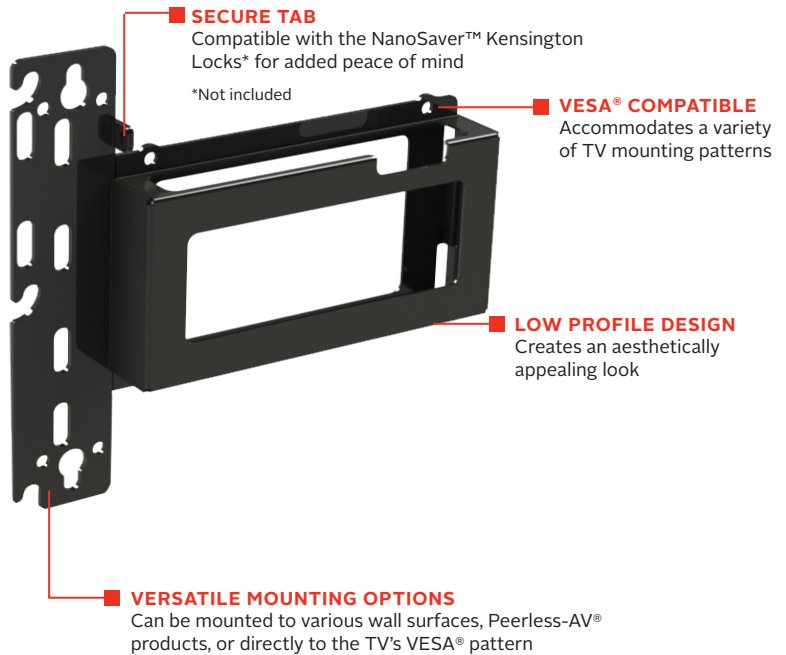


# Solstice Pod Mount

FOR STREAMING MEDIA PLAYERS AND OTHER AV COMPONENTS

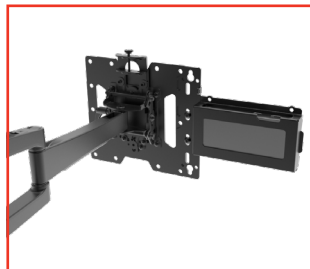
The ACC-MSP is a secure versatile mounting solution dedicated to the Mersive Solstice Pod. The design allows for it to be installed directly to the wall or attached to multiple options of Peerless-AV mounts. It features a secure tab which is compatible with the NanoSaver™ Kensington Locks range for added peace of mind making it ideal for public installations.

- Wall, table and service rack mountable for added versatility
- Low profile design, mounting just 34mm in depth ensures a discreet installation
- Compatible with nano Kensington Lock for additional security
- Easy access for servicing
- Anti tamper design



Compatible with the NanoSaver™ range of Kensington Locks\*

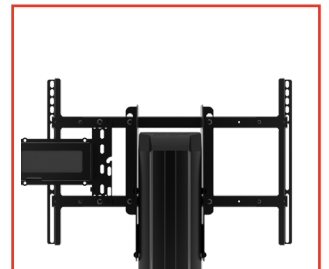
\*Not included



Attaches to Small Full-Motion Mounts



Attaches to Large Full Motion Mounts



Attaches to Carts and Stands

**RoHS**

ACC-MSP	Mersive Solstice Pod Mount
---------	----------------------------

**Product Specifications**

	DIMENSIONS (W x H x D)	PRODUCT WEIGHT	LOAD CAPACITY	FINISH	AVAILABLE COLORS
ACC-MSP	220 x 242.7 x 34mm	0.57kg	Dedicated	Powder Coat	Black

**Package Specifications**

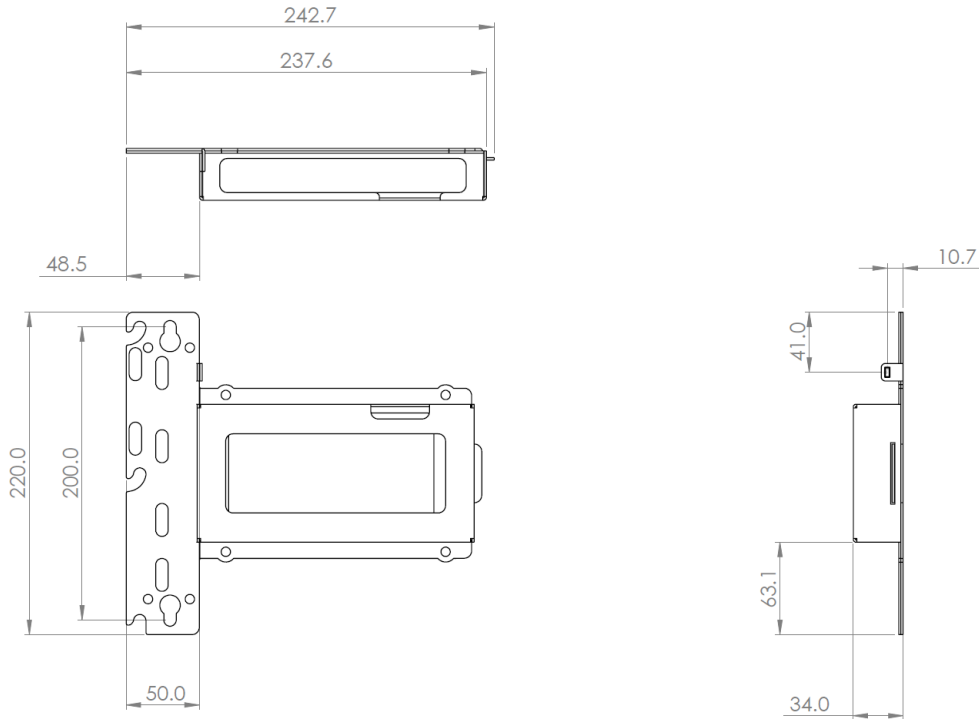
	PACKAGE SIZE (W x H x D)	PACKAGE SHIP WEIGHT	PACKAGE UPC CODE	PACKAGE CONTENTS	UNITS IN PACKAGE
ACC-MSP	260 x 260 x 50mm	0.8kg	735029339021	(1) Mount (2) Wall Mounting Screws and Anchors (2) M5 Screws (4) 6mm Nylon Spacers (1) Nut Bar (1) Instructions	1

**Compatible with:** Peerless-AV® models:

Wall Mounts / Adaptors - SF640P, SF650P, SF660P, SF670P, ST640P, ST650P, ST660P, ST670P, SA740P, PA740, PA746, SUA740P, ACC450, PLP-UNM, PLP-UNL, MOD-UNL2, MOD-UNL, MOD-UNM, SA746PU, SA752PU, SA761PU, SA771PU, PA750, PA762, SUA747PU, SUA761PU, SUA771PU

Trolleys / Stands - SR560M, SR575M, SR598, SR598-HUB, SR555M, SS560F, SS575K

All dimensions = mm



**Architect Specifications**

The Mersive Solstice Pod Mount shall be a Peerless-AV® model ACC-MSP and shall be located where indicated on the plans. Assembly and installation shall be done according to instructions provided by the manufacturer.

Visit [peerless-av.com](http://peerless-av.com) to see the complete line of AV solutions from Peerless-AV, including outdoor displays, kiosks, digital audio, display mounts, projector mounts, carts/stands, and a full assortment of accessories.

**Peerless-AV**  
2300 White Oak Circle  
Aurora, IL 60502 USA  
**(800) 865-2112**  
**(630) 375-5100**  
**Fax: (800) 359-6500**

**Peerless-AV EMEA**  
Unit 3 Watford Interchange  
Colonial Way, Watford  
Herts, WD24 4WP  
United Kingdom  
**+44 (0) 1923 200100**  
**Fax: +44 (0) 1923 200101**

**Peerless-AV Latin America**  
Av. de las Industrias 413  
Parque Industrial Escobedo  
General Escobedo, N.L.,  
México, 66062  
**+52 (81) 8384-8300**  
**Fax: +52 (81) 8384-8360**

