

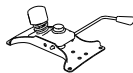












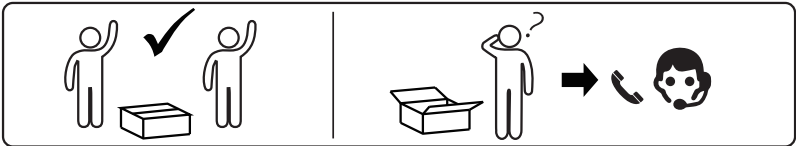




# **MAG CH130 Series User Guide**

# Package Contents

 1X	 1X	 1X	 1X
 1X	 1X	 1X	 5X
M5(18)  4X installed 1X spare M8(20)  10X installed 1X spare M8(25)  8X installed 1X spare	  1X	 4X	 1X



\* Contact your place of purchase or local distributor if any of the items is damaged or missing.

\* Package contents may vary by country.

# Overviews and Specifications

Series	CH130 Series
Color	Black
Dimensions	69 x 70 x 140 (cm)
Weight	25 (kg)
Foam Type	High Density integrated Foam
Foam Density	45-48 (kg/m <sup>3</sup> )
Frame Construction	Carbon Steel Q235 (Thickness 2mm-5mm, Diameter: 20mm)
Seat Cover Material	PVC Leather for Racing Seat / Carbon Fiber Leather
Adjustable Armrests	2D
Armrest Pad Size (L x W)	25 x 9 (cm)
Mechanism	Y-19 Tilt
Tilt Lock	YES

Series	CH130 Series
Adjustable Tilt Angle	0° ~ 15°
Gas Lift Piston	Class-4
Seat Back Style	High-back
Adjustable Back Angle	90°-150° ±1°
Headrest & Lumbar Cushion	YES
Cover Material	PVC Leather
Five-Star Base	Steel Base
Wheel Size	60mm UV Wheel
Assembly Required	YES
Seating Size (W x D )	57 x 52 (cm)
Maximum Seating Height	53.5 (cm)
Minimum Seating Height	45.5 (cm)
Maximum Armrest Height	84.6 (cm)
Minimum Armrest Height	77.6 (cm)
Backrest Height	87 (cm)
Backrest Shoulder Width	57 (cm)
Package Size (L x W x H)	90 x 68 x 34.5 (cm)
Max. Height of Recommended User	185 (cm)
Max. Weight Capacity	150 (kg) / 331(lb)

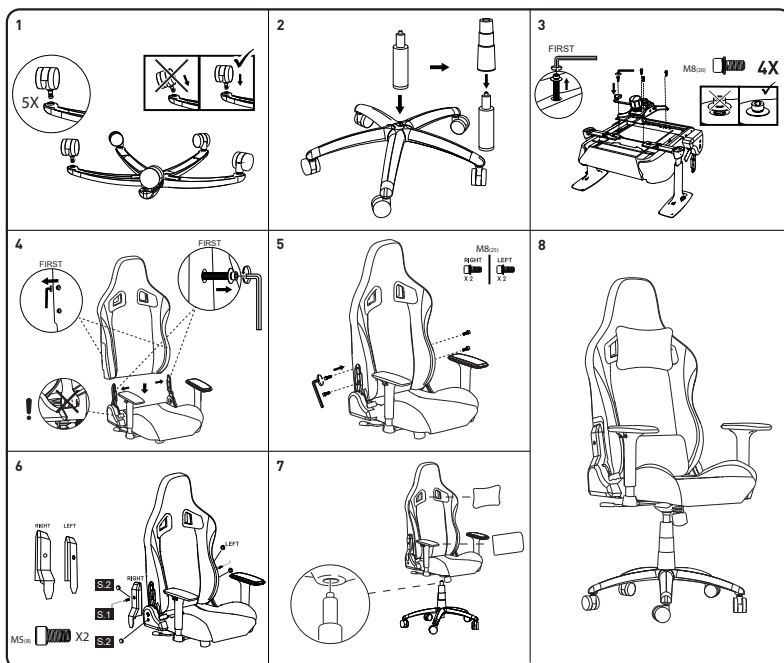
## Attention

- Before you begin assembling the chair, make sure all parts are included and are in good condition.
- If the chair is delivered in winter or during cold weather, we suggest starting assembly 2 hours after receipt to allow the gas lift to stably work.
- Please follow the provided instructions when assembling the chair.
- To avoid misalignments, leave the screws loose and do not tighten until all are in their respective holes.
- Do not overtighten or force the screws. Doing so may break, strip or damage the threads of the holes.
- Using the wrong screw size may result in damage to the screw or the chair part.
- Do not overload the chair. See the maximum chair load information in the technical specifications.
- The chair may initially have a strong odour. This is normal! The chair has passed requisite testing; the leather scent does not contain any formaldehyde or total

volatile organic compounds. We recommend placing the chair in a properly aerated room. The odour will dissipate over time.

- If there are stains on the chair surface, apply some polish on a soft towel and rub the stains until they dissolve. Do not apply the polish directly on the chair.
- The adjustment of the backrest tilt can be 0-180 degrees. To prevent from injuring or causing property damage, when over 165 degrees, please keep balance and use it in the proper way.
- Warning: Potential risk of getting fingers caught. Keep fingers and arms clear of the underside of the armrest when using the chair or rotating the armrest.

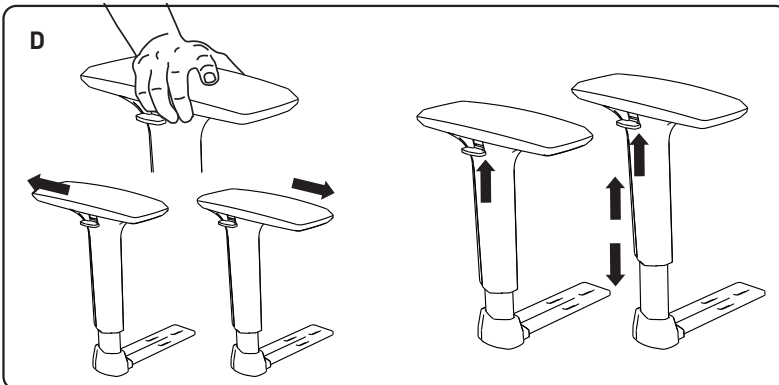
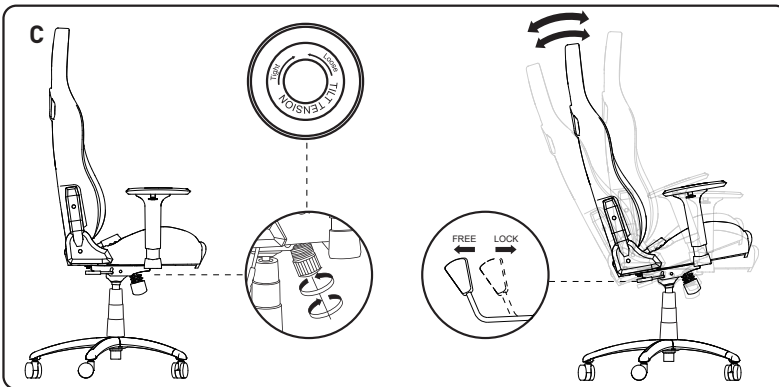
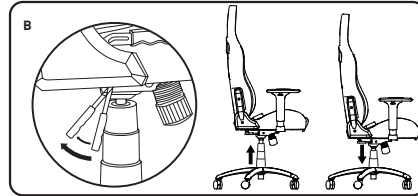
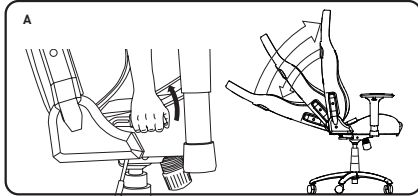
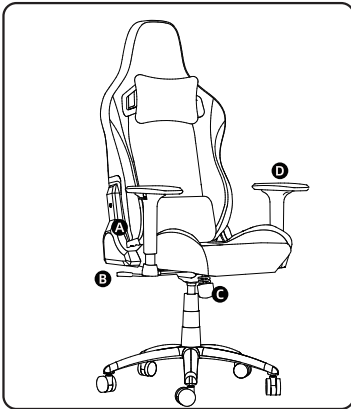
## Installation



SCAN

For installation video

# Position Settings



# Important Warranty Information

## 1. Warranty Period

One (1) or two (2) years limited warranty which may vary by model and region. Please check with MSI authorized sellers in your region for the applicable limited warranty term.

MSI provides a limited warranty from the date of purchase for hardware manufacturing defects. If your product exhibits manufacturing defects during the warranty period, MSI will repair or replace the product with an equivalent product once application is validated. Please submit a RMA application as instructed below.

Please keep this warranty card in a secure location. This card will not be reissued if lost.

## 2. Limited warranty

This limited warranty does not cover the following items or scenarios:

- (1) Damage due to natural disaster, accident, misuse, abuse, negligence.
- (2) Any breakdown or damage caused by abnormal use in spite of specified methods of assembly or as prescribed in the user manual, repair or disassembly by a third party not authorized by MSI.
- (3) The product is not purchased through a MSI authorized distribution channel.
- (4) The leather of the product is not covered in the warranty.
- (5) Regular wear and tear expected over the course of ownership.
- (6) Product accessories such as PE bags, instruction cards, etc.
- (7) Warranty terms offered in another region other than where the product was purchased from.

## 3. Warranty card

This limited warranty is invalid if the serial number sticker pasted on either the product or its component is scratched, illegible, altered, or does not match with MSI's records.

## 4. RMA Application

- (1) Please contact the store where the product was purchased and return the product when instructed, or contact MSI directly for RMA application and instructions.
- (2) Instead of returning the entire product to MSI, you may request spare parts by providing the following three items to MSI: i) the photo of the damaged part, ii) product serial number, and iii) purchase invoice.



**Micro-Star INT'L CO., LTD.**

No.69, Lide St., Zhonghe Dist., New Taipei City 235, Taiwan  
tel:+886-2-3234-5599 fax:+886-2-3234-5488



**SCAN**

For warranty



**SCAN**

For product information