



## PURE POWER 11 FM

EXCEPTIONAL QUIET, SUPERIOR FEATURES

750W FM • 650W FM • 550W FM

### IDEAL APPLICATIONS

Silent PC builds  
Gaming systems  
Office applications  
Multimedia and home theater systems

### HIGHLIGHTS

80 PLUS® Gold efficiency  
Modular cables  
Silence-optimized be quiet! fan  
Five-year manufacturer's warranty

#### Exceptional Quiet, Superior Features

Pure Power 11 FM offers 80 PLUS® Gold efficiency, a silence-optimized 120mm be quiet! fan and user-friendly modular cables.

#### Highlights »

- 80 PLUS® Gold efficiency (up to 93.9%)
- Modular cables for maximum build flexibility
- Two strong 12V-rails
- Silence-optimized 120mm be quiet! fan
- Advanced stability and voltage regulation thanks to LLC, SR and DC-to-DC
- Up to four PCIe connectors for overclocked high-end GPUs
- Full suite of top safety features
- Meets latest Intel® C6/C7, ErP and Energy Star guidelines
- Supports all Intel® and AMD™ processors
- Five-year manufacturer's warranty
- Product conception, design and quality control in Germany



# PURE POWER 11 FM

EXCEPTIONAL QUIET, SUPERIOR FEATURES

Technical Data »				
IN GENERAL	Model	750W	650W	550W
	Article no.	BN319	BN318	BN317
	EAN code	4260052188163	4260052188156	4260052188149
	Voltage (Vac) / Frequency (Hz)	100-240 / 50-60	100-240 / 50-60	100-240 / 50-60
	Dimensions (L x W x H)	165 x 150 x 86	165 x 150 x 86	165 x 150 x 86
	ATX 12V 2.52 / EPS 12V 2.92	✓ / ✓	✓ / ✓	✓ / -
	Silence-optimized be quiet! fan (mm)	120	120	120
	Noise level (dB(A)) at 20 / 50 / 100% load	9.1 / 9.7 / 24.8	9.1 / 9.5 / 21.0	8.8 / 9.0 / 18.1
	12V rail (Multi-Rail) / 12V Single Rail	2 / -	2 / -	2 / -
	Overclocking Key / Jumper	- / -	- / -	- / -
	Power Good signal	100-150ms	100-150ms	100-150ms
	PFC	active	active	active
	Certifications / Efficiency (%) at 230V	80 PLUS® Gold / 93.9%	80 PLUS® Gold / 93.3%	80 PLUS® Gold / 93.5%
	Energy Star 8.0 compatible	✓	✓	✓
	ErP 2014 ready / Power in stand-by (W)	✓ / 0.14	✓ / 0.14	✓ / 0.14
	OCP, OVP, UVP, SCP, OPP, OTP	✓	✓	✓
	Lifetime of PSU at 25°C (h)	100,000	100,000	100,000
CABLES	No. of cables	8	8	7
	Maximum cable length (cm)	110	110	110
	Length of ATX-connection cable (cm)	55	55	55
	Modular cable management	✓	✓	✓
	Sleeved cables	20+4 pin	20+4 pin	20+4 pin
	Flat cables	P4+4, P8, PCIe, drives	P4+4, P4, PCIe, drives	P4+4, PCIe, drives
CONNECTORS	ATX-mainboard (20+4-pin)	✓	✓	✓
	PCI-express (6+2-pin)	4	4	2
	P8-/P4-connector	1x P4+4, 1x P8	1x P4+4, 1x P4	1x P4+4
	S-ATA	9	9	9
	P-ATA	2	2	2
	Easy-plug HDD connectors	✓	✓	✓
	FDD (Floppy)	1	1	1

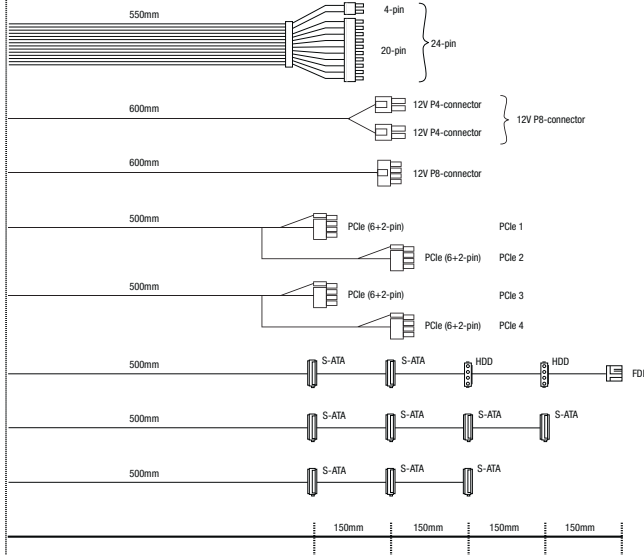
Output Data »															
PURE POWER 11 750W FM	AC Input	100-240Vac 50-60Hz 10-5A						PURE POWER 11 650W FM	AC Input	100-240Vac 50-60Hz 10-5A					
	DC Output	3.3V	5V	12V1	12V2	-12V	5VSB		DC Output	3.3V	5V	12V1	12V2	-12V	5VSB
	Max. Current	20A	20A	36A	32A	0.3A	3A		Max. Current	20A	20A	32A	28A	0.3A	3A
	Max. Combined Power	120W		750W		3.6W	15W		Max. Combined Power	120W		650W		3.6W	15W
		750W								650W					
PURE POWER 11 550W FM	AC Input	100-240Vac 50-60Hz 10-5A						PURE POWER 11 650W FM	AC Input	100-240Vac 50-60Hz 10-5A					
	DC Output	3.3V	5V	12V1	12V2	-12V	5VSB		DC Output	3.3V	5V	12V1	12V2	-12V	5VSB
	Max. Current	20A	20A	28A	24A	0.3A	3A		Max. Current	20A	20A	32A	28A	0.3A	3A
	Max. Combined Power	120W		550W		3.6W	15W		Max. Combined Power	120W		650W		3.6W	15W
		550W								650W					

# PURE POWER 11 FM

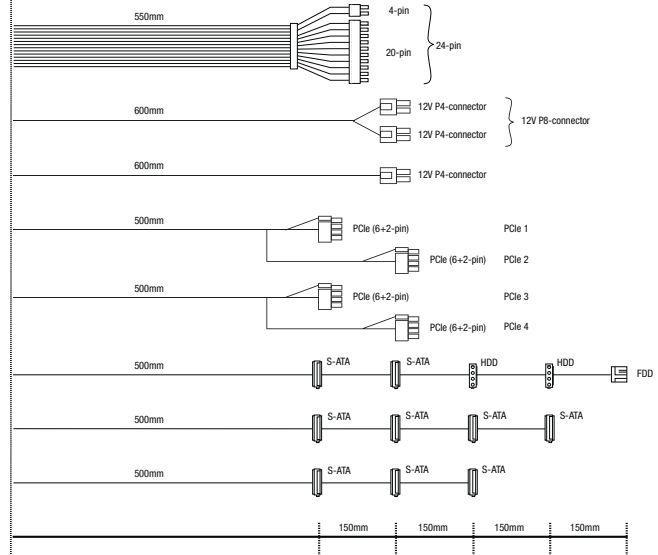
EXCEPTIONAL QUIET, SUPERIOR FEATURES

Cables »

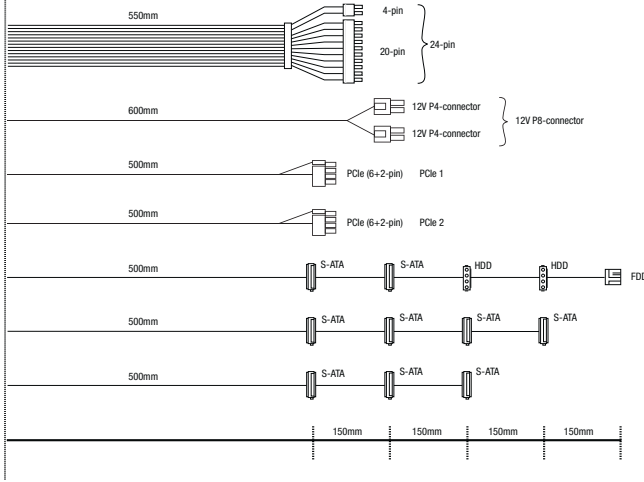
### 750W



### 650W



### 550W



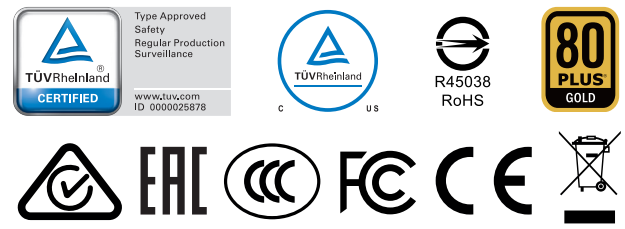
750W	650W	550W
550mm	550mm	550mm
600mm	600mm	600mm
500mm 2x	500mm 2x	-
-	-	500mm 2x
500mm'	500mm'	500mm'
500mm'	500mm'	500mm'
500mm'	500mm'	500mm'
-	-	-

\*cable length to first connector

Logistics data »

Region	Model	Article no	EAN code
EU	Pure Power 11 FM 750W	BN319	4260052188163
EU	Pure Power 11 FM 650W	BN318	4260052188156
EU	Pure Power 11 FM 550W	BN317	4260052188149
US	Pure Power 11 FM 750W	BN672	4260052188194
US	Pure Power 11 FM 650W	BN671	4260052188187
US	Pure Power 11 FM 550W	BN670	4260052188170
TW	Pure Power 11 FM 750W	BN965	4260052188255
TW	Pure Power 11 FM 650W	BN964	4260052188248
TW	Pure Power 11 FM 550W	BN963	4260052188231
AU	Pure Power 11 FM 750W	BN962	4260052188224
AU	Pure Power 11 FM 650W	BN961	4260052188217
AU	Pure Power 11 FM 550W	BN960	4260052188200
CN	Pure Power 11 FM 750W	BN968	4260052188552
CN	Pure Power 11 FM 650W	BN967	4260052188545
CN	Pure Power 11 FM 550W	BN966	4260052188538

Certifications »



Contact »

be quiet! Headquarters  
Listan GmbH  
Wilhelm-Bergner-Straße 11c  
21509 Glinde  
Germany

Service hotline: +49 40 7367 686 44  
e-mail: [service@bequiet.com](mailto:service@bequiet.com)

Visit the contact section on [bequiet.com](http://bequiet.com)  
for the right regional service information.