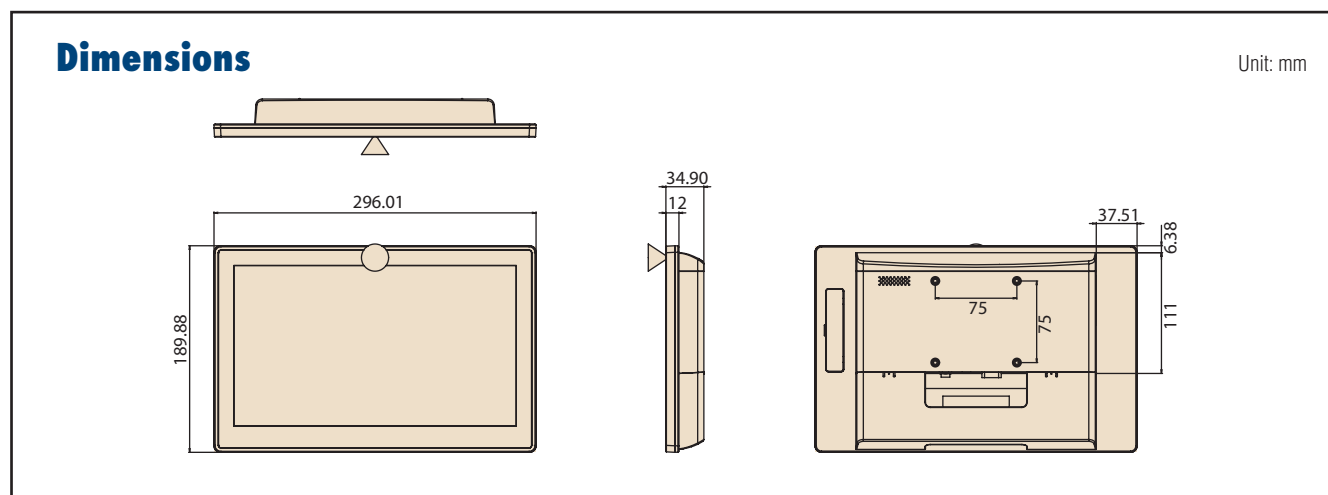


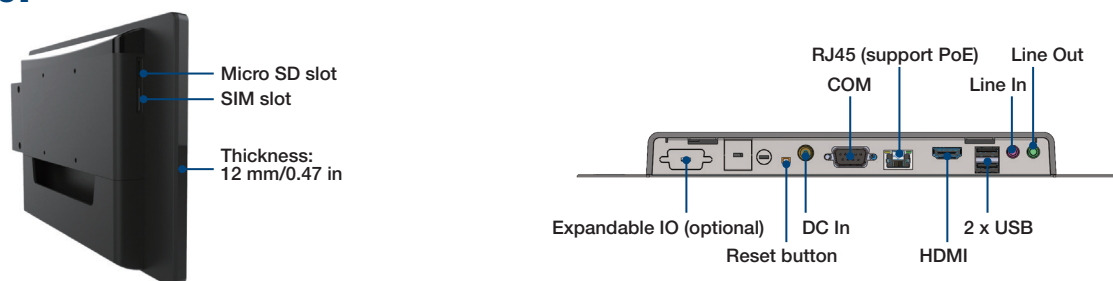
Specifications Cont.

DeviceOn/iService Remote Device Management	Operating System	Android 8, 10
	Common Controls (Reboot, Shutdown)	✓
	Remote desktop	✓ (VNC)
	Device-Specific Controls (Audio, Backlight)	✓
	Connection Status	✓
	Hardware Status	✓
	Batch Operation Support	✓
	OTA Storage Management	Local blob
	OTA Software Updates	✓
	Software Watchlist	✓
	Software Start/Stop	✓
	Kiosk Mode	✓
Peripherals Watchlist	✓	

Note: DeviceOn/iService software must be downloaded from the Advantech website at <https://www.advantech.com/search?q=DeviceOn%2FiService&st=support&sst=Utility>



I/O Layout



Ordering Information

For Worldwide Model

PN	Description
USC-130AP-BC106	11.6" 16:9 RK3288 2G ram/16G eMMC, HD, Android 10, PoE, no wifi
USC-130AP-BC206	11.6" 16:9 RK3399 2G ram/16G eMMC, HD, Android 10, PoE, no wifi

For EU Only Model

PN	Description
USC-130AP-BC201	11.6" 16:9 RK3399 2G ram/16G eMMC, HD, Android 10, WIFI, PoE

Peripherals

Part Number	Description
USC-P03-B200	MSR via USB for USC-MX/1XX
USC-P05-B110	2D barcode scanner
UPOS-P07-A100	Stand, double hinge, VESA 75x75, black
ASK-MNT-NMBLA10AC0	Wall Mount, 75/100mm, max. support 20kg
ASK-MNT-NMBLA10A00	Wall Mount, 75x75mm, max. support 20kg

Accessories

Part Number	Description
96CB-POWER-B-1.8MB	RW 0.75, CCC, black/3L, 180 cm
1700001524	Power cable, UL, 3P, 10A, 125V, 180 cm (US, TW)
170203183C	Power cable 3P, 10A, 250V, 183 cm (EU)
1700018553	Power cable, SAA, 3P, 2.5A, 250V, 183 cm (Australia)
1700025113-11	Power cable, ISI, 3P, 2.5A, 250V, 180 cm (India)
1700018409	Power cable, KCC, 2P, 2.5A, 250V, 183 cm (Korea, Russia)
170203180A	Power cable, BSI, 3P, 2.5A, 250V, 183 cm (UK)
1700008921	Power cable, PSE, 3P, 7A, 125V, 180 cm (Japan)

DeviceOn/iService

Unified Remote Device Management Software



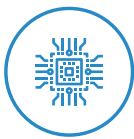
Features

- Supports Advantech devices equipped with Windows, Android, and Linux OS
- Flexible device, location, user, and permissions management
- Enables remote monitoring and control of hardware, software, and peripherals
- Supports over-the-air (OTA) firmware and software updates
- Ensures quick, easy, and secure device onboarding
- RESTful APIs for third-party system integration

Introduction

Advantech's DeviceOn/iService is a next-generation unified device management solution based on the WISE-DeviceOn platform. Designed to enable centralized monitoring and remote management, DeviceOn/iService supports Advantech devices equipped with Windows, Linux, or Android operating systems. The software also supports the management of applications and integrated peripherals, such as a barcode scanner, card reader, camera, and printer. Users can remotely access and control connected devices, take screenshots, rollout OTA upgrades, and use remote desktop capabilities for troubleshooting from any location at any time. Moreover, DeviceOn/iService supports batch operations to facilitate the management of multiple devices simultaneously for easy and convenient device configuration and deployment.

Total Management



Devices & Hardware

- Windows, Linux, Android
- Hardware, storage, battery



Software & Peripherals

- Software monitoring & access
- Screens, USB devices, printers



Open for Expansion

- Peripheral integration
- Open APIs for integration

Remote Access



Real-Time Monitoring

- Connection/hardware status
- Software/peripheral status
- Failure notifications



Remote Controls

- Power controls
- Audio, backlight controls
- Software controls



Troubleshooting

- Screenshots
- Remote desktop support

Operational Efficiency



OTA updates

- System/software updates
- File repository management
- App store



Batch Controls

- 1-to-many batch reboot, etc.
- Time-saving tasks



Setup Booster

- Software/peripheral watchlist
- Roles, rule templates

Note: Some functions may vary according to the product

System Architecture

