


Precision 3240 Compact

Accessories Installation Guide

Notes, cautions, and warnings

 **NOTE:** A NOTE indicates important information that helps you make better use of your product.




 **CAUTION:** A CAUTION indicates either potential damage to hardware or loss of data and tells you how to avoid the problem.

 **WARNING:** A WARNING indicates a potential for property damage, personal injury, or death.

Contents

Chapter 1: Before you begin	4
Chapter 2: Precision Compact VESA sleeve mount.....	5
Chapter 3: Precision Compact Dual VESA sleeve mount.....	7
Chapter 4: Dell monitor stand VESA mount.....	12
Chapter 5: Dell A/C adapter sleeve mount.....	16
Under the desk.....	16
On the monitor stand.....	18
Chapter 6: Precision Compact Dust Filter	22
Chapter 7: Precision Compact Cable Cover.....	24
Chapter 8: After installing the accessory.....	29
Chapter 9: Getting help and contacting Dell.....	30
Appendix A: Screw size list.....	32
Appendix B: Recommended tools.....	33

Before you begin

1. Save and close all open files and exit all open applications.
2. Shut down your computer: Click **Start** >  **Power** > **Shut down**.
 -  **NOTE:** If you are using a Linux operating system, see the documentation of your operating system for shut-down instructions.
3. Disconnect your computer and all attached devices from their electrical outlets.
4. Disconnect all attached network devices and peripherals, such as keyboard, mouse, and monitor from your computer.
 -  **CAUTION:** To disconnect a network cable, first unplug the cable from your computer and then unplug the cable from the network device.
5. If the computer or the adapter is being installed on the monitor:
 - a. Disconnect the power and all the display cables from the monitor.
 - b. Remove the stand from the monitor and place the monitor on a clean and soft surface.

Precision Compact VESA sleeve mount

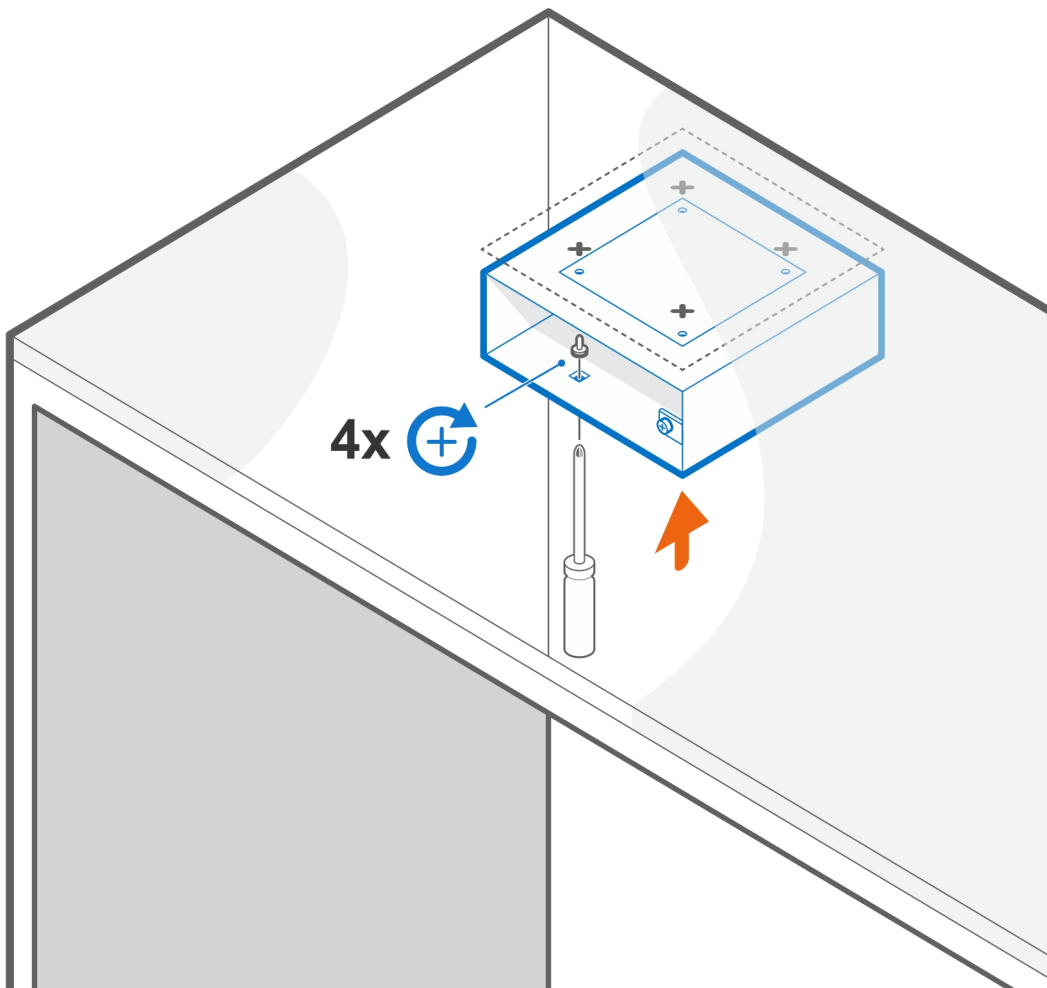
To avoid clutter on your desk, you can use the Precision Compact VESA sleeve mount to secure the Precision 3240 compact system under the desk.

1. Follow the instructions in [Before you begin](#).
2. **i** **NOTE:** Precision Compact VESA sleeve mount has holes for the screw mounts 100 mmx100 mm apart.

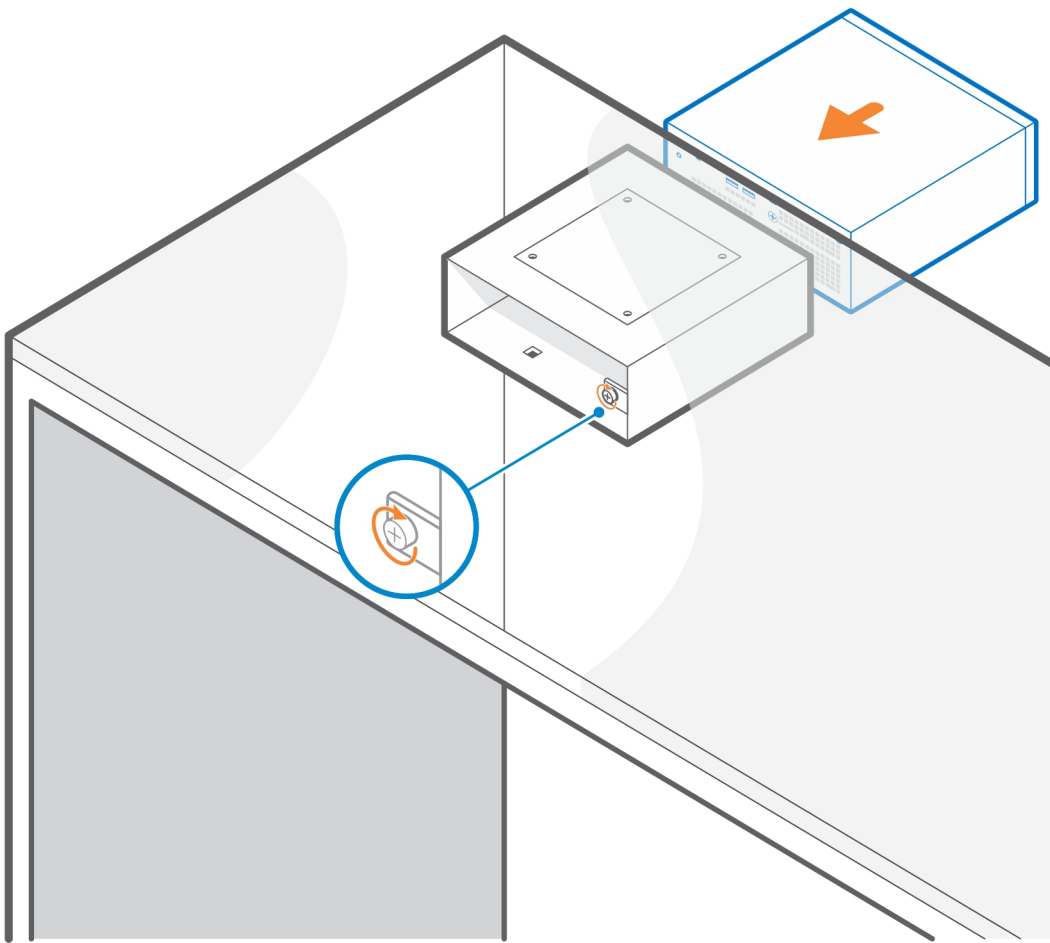
Install the VESA sleeve mount under the desk with the captive thumbscrew facing inside the desk.

3. Use the four M4x10 self-tapping screws to secure the VESA sleeve mount under the desk.

i **NOTE:** Insert the screw driver through the square holes on the VESA sleeve mount to fix the self-tapping screws to the underside of the desk.



4. Slide the system into the VESA sleeve mount .
i **NOTE:** Ensure that the Dell logo on the system faces the same direction as the Δ (triangle icon) on the VESA sleeve mount.
5. Tighten the thumbscrew to secure the system to the VESA sleeve mount.



6. Follow the instructions in [After installing the accessory](#).

Related-links:

- [Precision Compact Dust Filter](#)
- [Precision Compact Cable Cover](#)
- [Dell A/C adapter sleeve mount](#)

Precision Compact Dual VESA sleeve mount

For flexible installation, you can use the Precision Compact Dual VESA sleeve mount to secure the Precision 3240 Compact system on a VESA compatible single or dual monitor arms.


Precision compact dual VESA Sleeve mount supports the following monitor arms:

- Dell Dual Monitor Arm - MDA20
- Dell Single Monitor Arm - MSA20

 **NOTE:** The Precision Compact dual VESA sleeve mount supports up to 68.58 cm (27 in.) monitor.

 **NOTE:** To avoid monitor tilt down, user can tighten the hinge screw of arm to keep monitor stand in comfortable angle.

1. Follow the instructions in [Before you begin](#).


2.  **CAUTION:** To avoid any damage to the monitor, ensure that you place the monitor on a protective sheet.

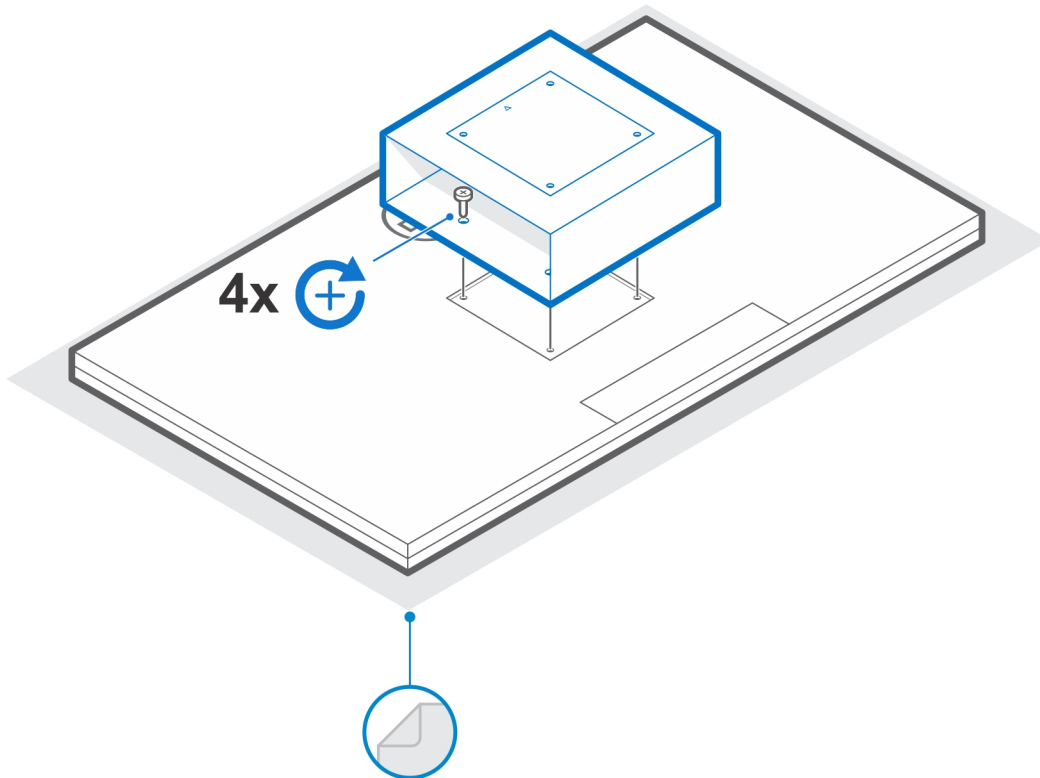
Place the monitor on a soft cloth or cushion near the edge of desk so the base of the stand extends past the edge of the desk.

3. Place the VESA sleeve mount on the back of the monitor.

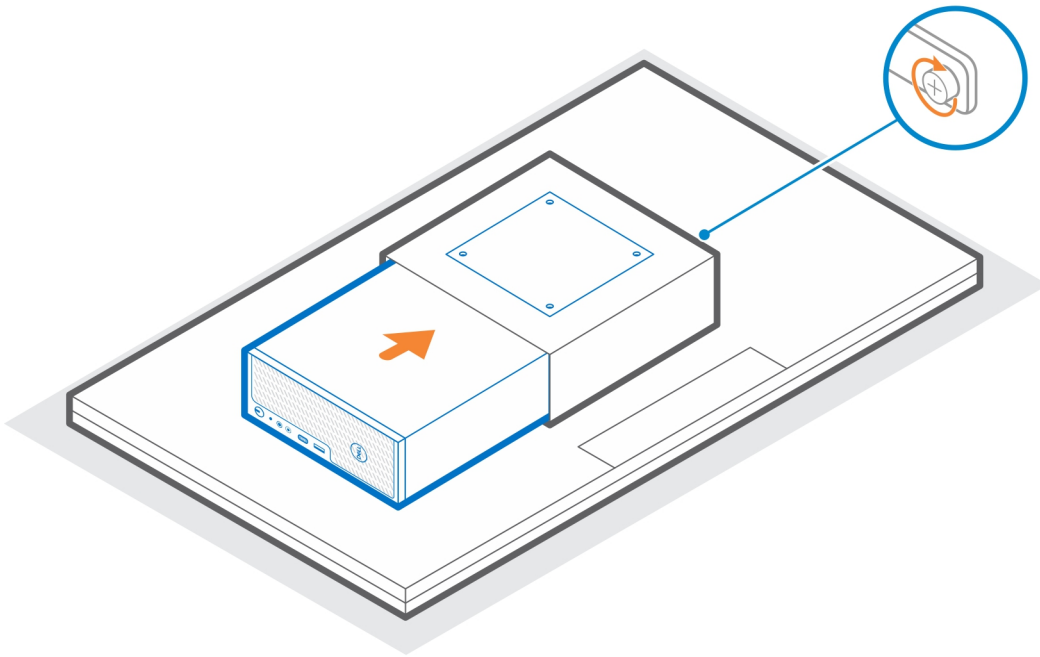
 **NOTE:** Ensure that the side with the Δ (triangle icon) on the mount is facing up.

4. Use the four M4x10 screws to secure the VESA sleeve mount to the back of the monitor.

 **NOTE:** Insert the screw driver through the square holes on the VESA sleeve mount to fix the screws behind the monitor.

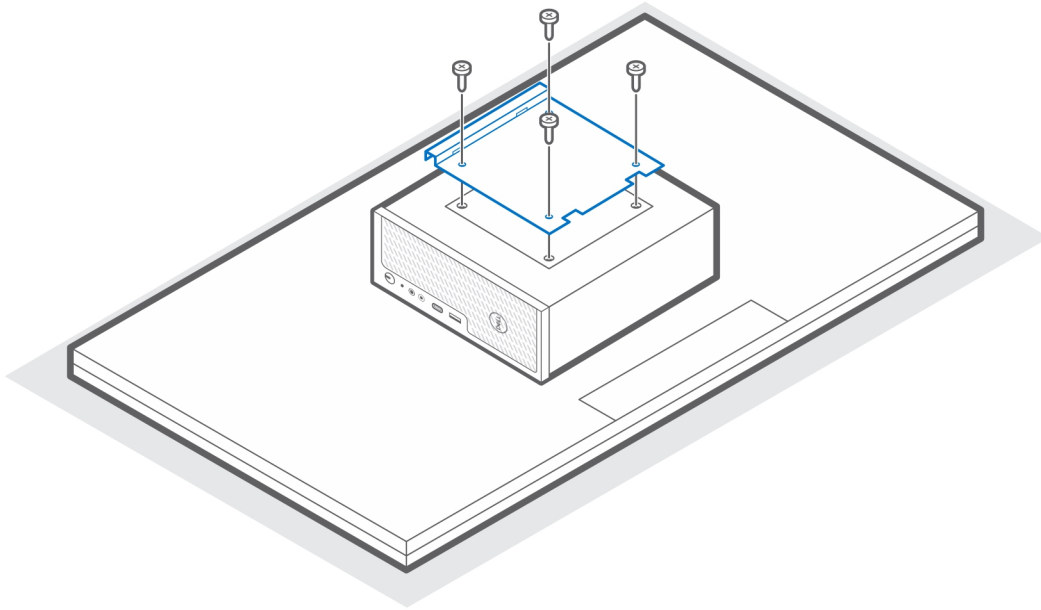


5. Slide the system into the VESA sleeve mount aligning the screw holes on the VESA sleeve mount with the screw holes on the system.
i **NOTE:** Ensure that the Dell logo on the system faces the same direction as the Δ (triangle icon) on the VESA sleeve mount.
6. Tighten the thumbscrew to secure the system to the VESA sleeve mount.

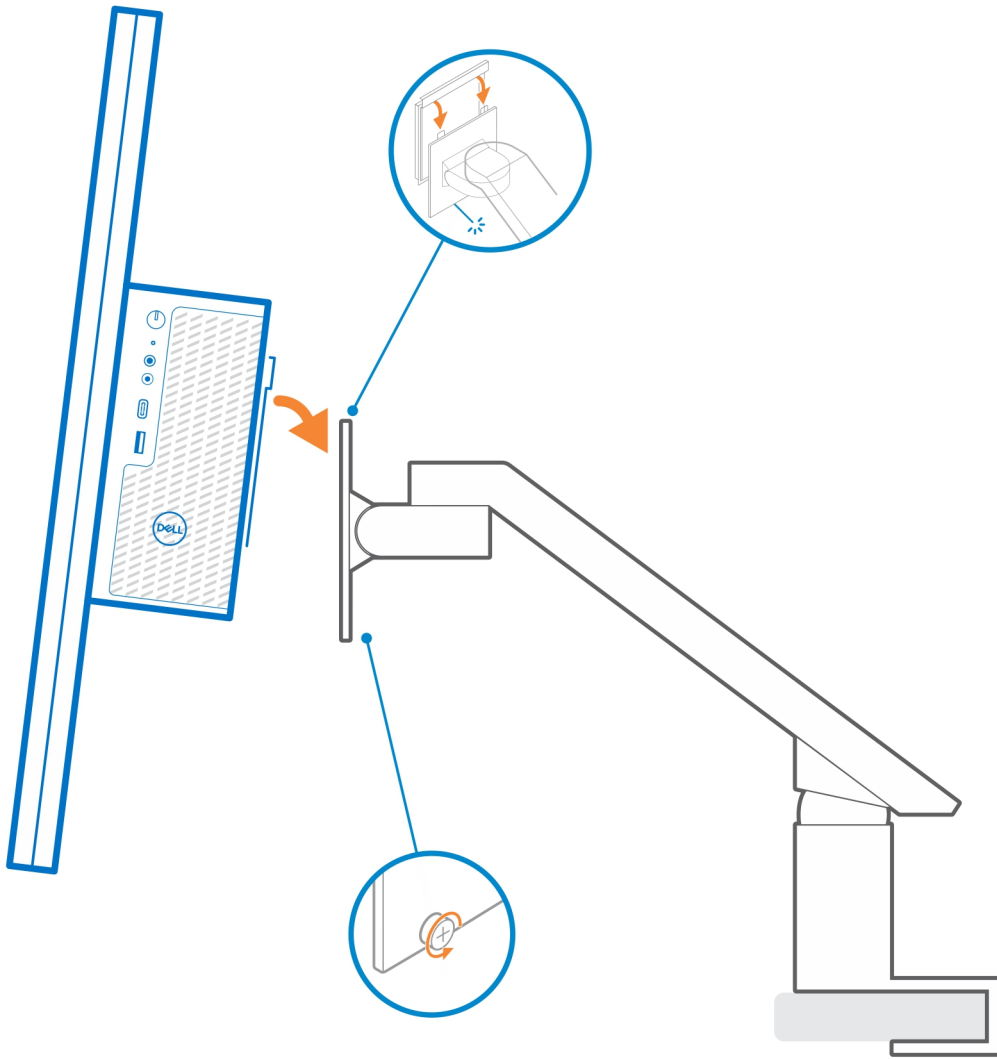


7. Align the screw holes on the VESA adapter plate with the screw holes on the VESA sleeve mount.
8. Use the four M4x10 screws to secure the VESA adapter plate to the VESA sleeve mount.

i **NOTE:** Ensure the Δ (triangle icon) on the VESA adapter plate and the Δ (triangle icon) on the VESA sleeve mount are aligned.



9. Lift the monitor and insert the slots on the VESA bracket into the hooks on the monitor arm until you hear a click.
10. Tighten the single M4x10 screw on the monitor arm to secure the dual VESA sleeve mount to the monitor arm.



11. Follow the instructions in [After installing the accessory](#).

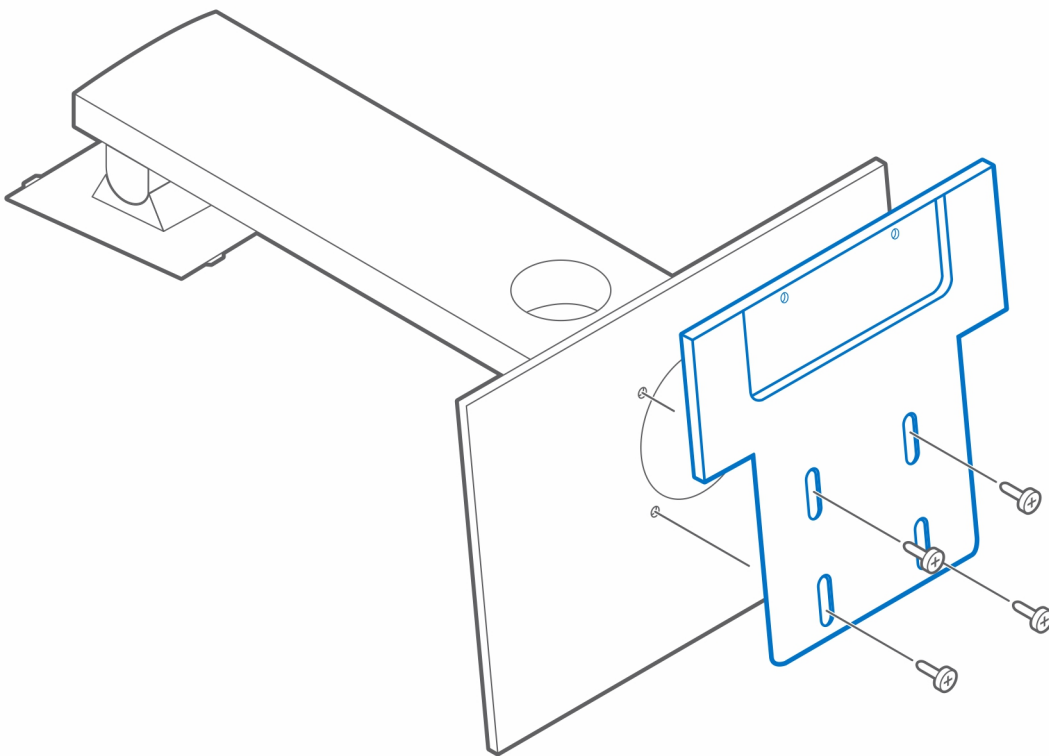
Related-links:

- [Precision Compact Dust Filter](#)
- [Precision Compact Cable Cover](#)

Dell monitor stand VESA mount

For flexible installation, you can use the Dell monitor stand VESA mount to secure the Precision 3240 Compact system on the Dell VESA monitor stand.

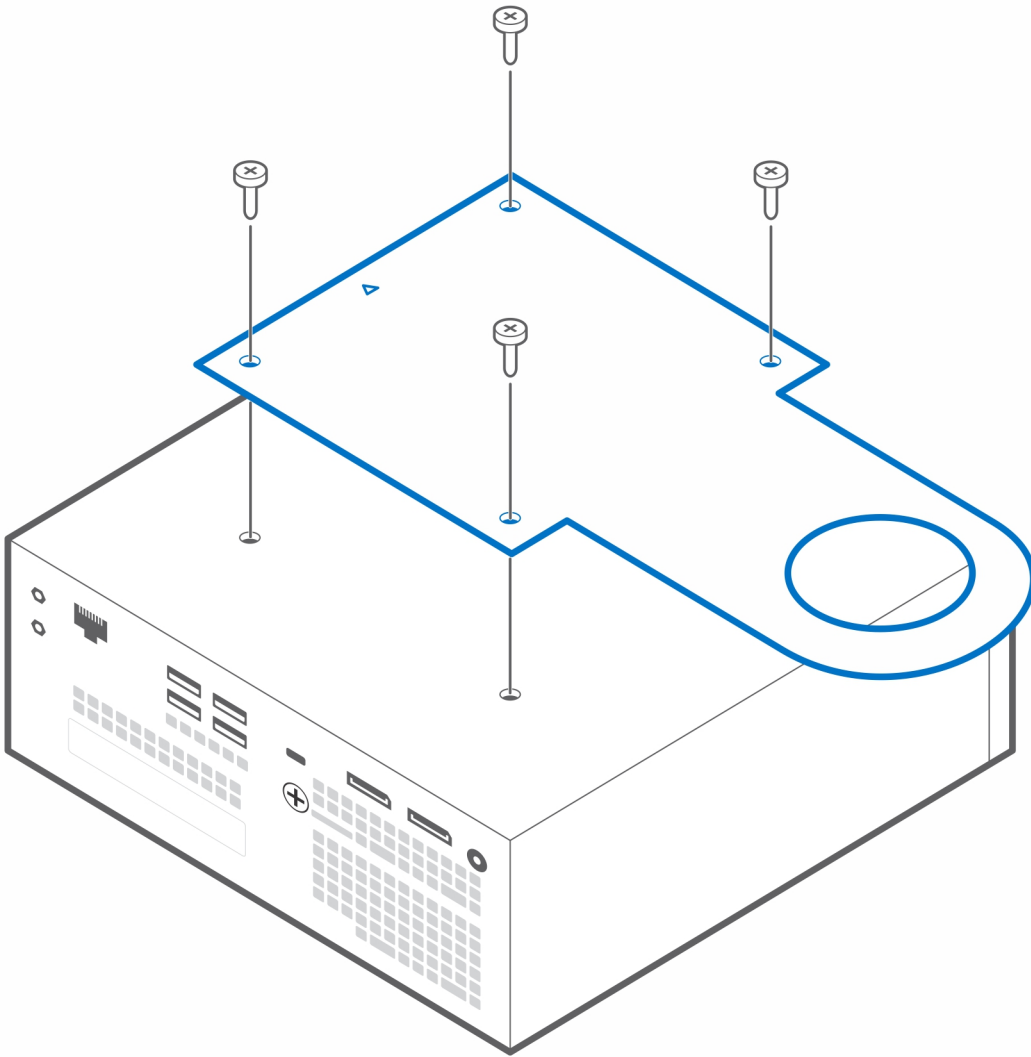
1. Follow the instructions in [Before you begin](#).
2. Place the monitor stand base extender on the base of the monitor stand.
3. Use the four M4x6 screws to secure the monitor stand base extender under the monitor stand.



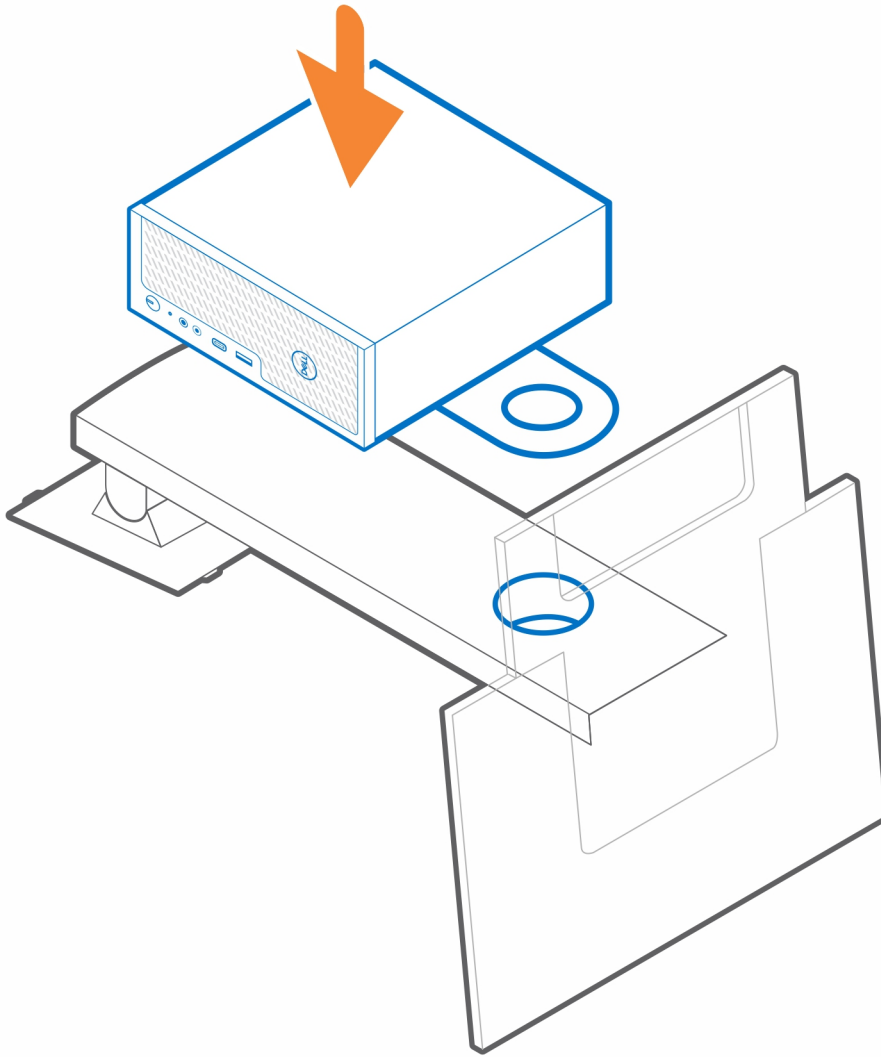
4. Place the Dell monitor stand VESA mount on the system.

i **NOTE:** Ensure that the Δ (triangle icon) on the Dell monitor stand VESA mount is aligned in same direction as the Dell logo on the system.

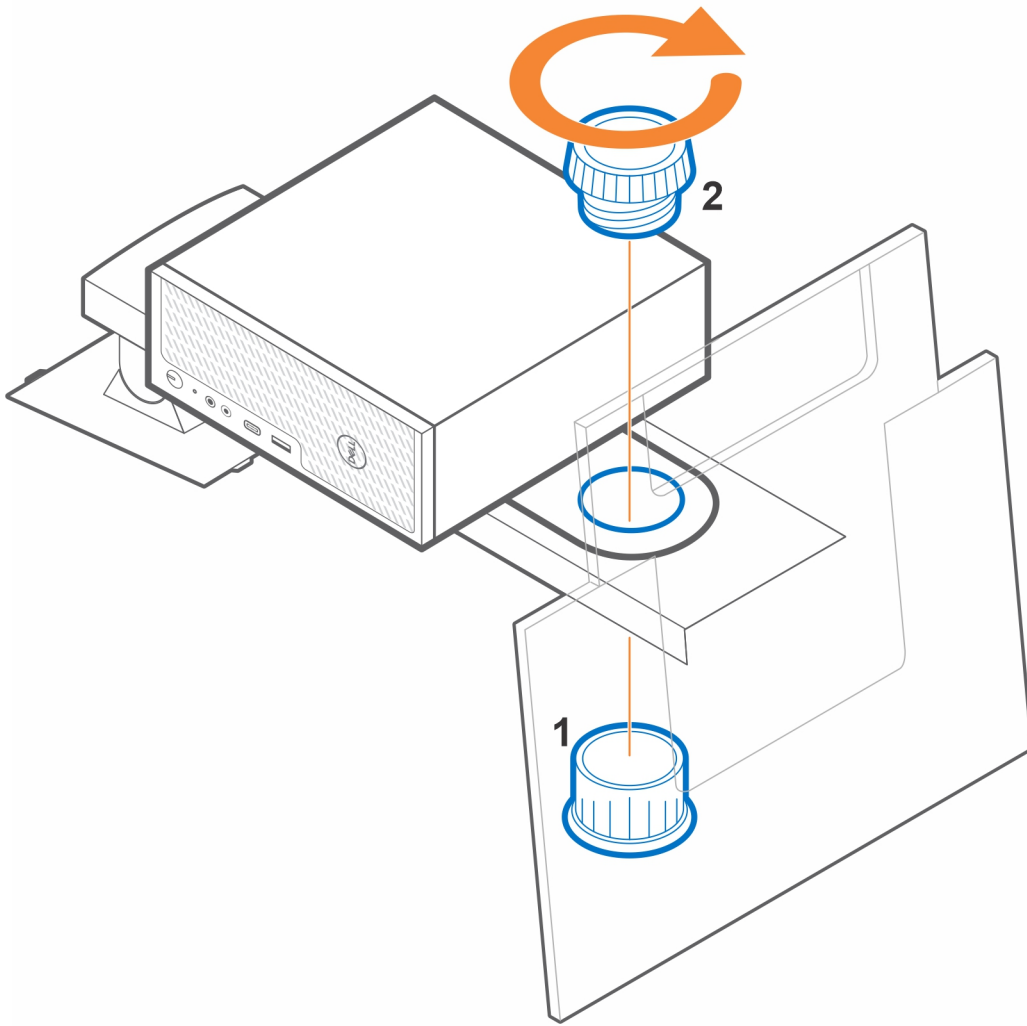
5. Use the four M4x6 screws to secure the Dell monitor stand VESA mount to the system.



6. Align the slot on the Dell monitor stand VESA mount with the cable management slot on the Dell monitor stand.



7. Install the socket [1] from the monitor side into the cable management slot.
8. Use the plug [2] from the system side and turn the plug knob to secure the Dell monitor stand VESA mount to the monitor stand.



9. Lift the stand and attach the monitor to the stand.
10. Follow the instructions in [After installing the accessory](#).

Related-links:

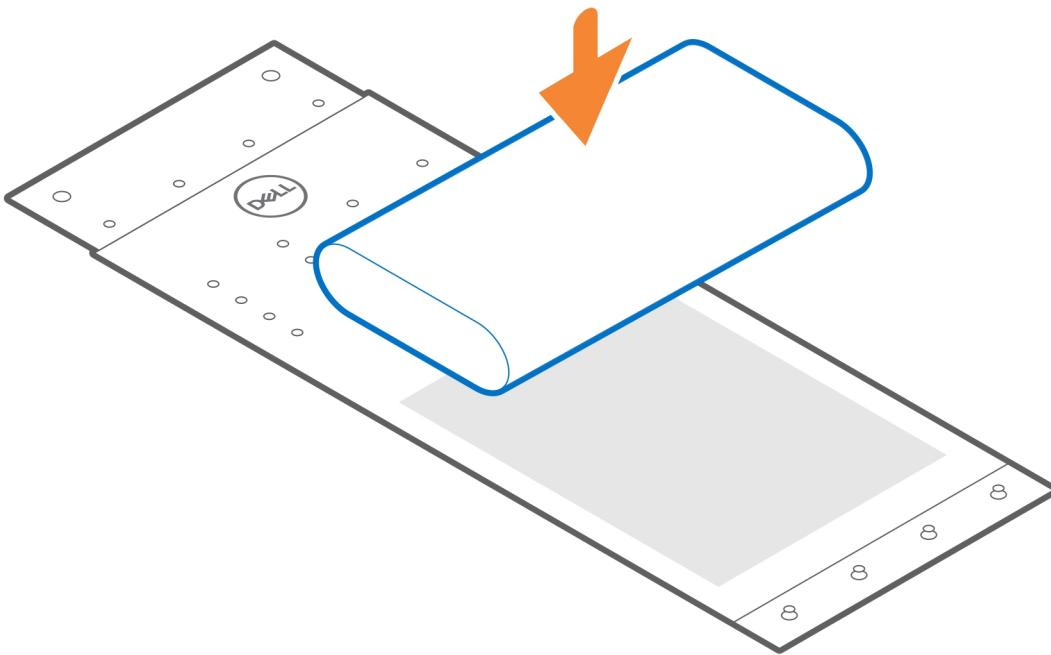
- [Precision Compact Dust Filter](#)
- [Precision Compact Cable Cover](#)
- [Dell A/C adapter sleeve mount](#)

Dell A/C adapter sleeve mount

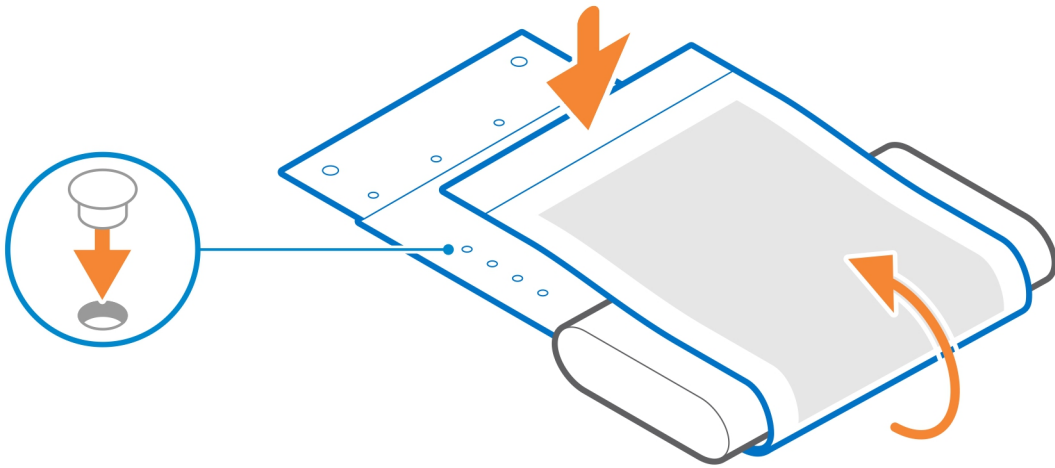
To avoid clutter on your desk and for flexible installation, you can use the Dell A/C adapter sleeve mount to secure the A/C adapter behind the monitor (on Dell monitor stand base extender) or under the desk.

Under the desk

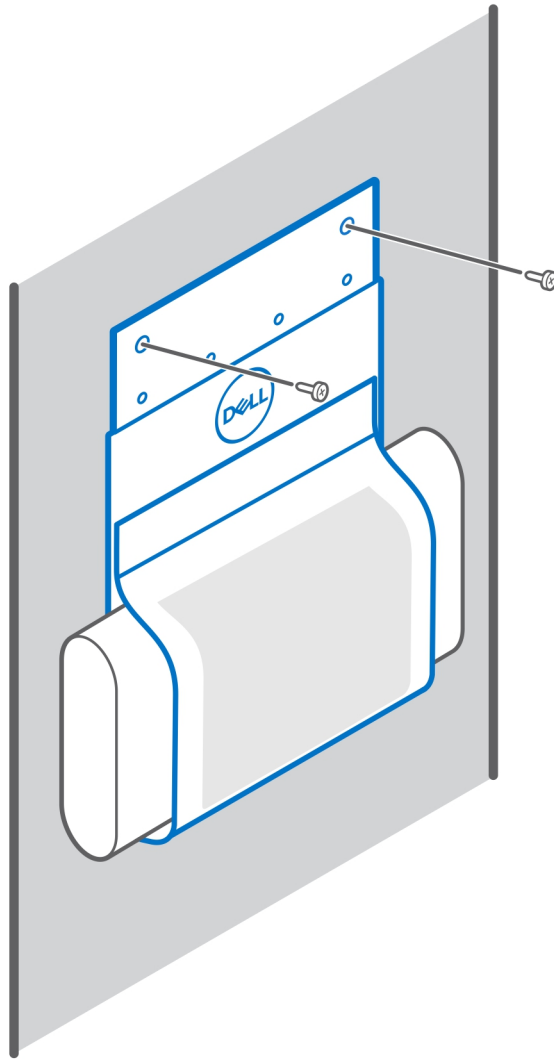
1. Follow the instructions in [Before you begin](#).
2. Place the A/C adapter on the A/C adapter sleeve mount.



3. Wrap the sleeve around the A/C adapter and insert the retaining tabs into the holes at an appropriate level.



4. **i** **NOTE:** The screw holes on the A/C adapter sleeve mount are 70 mm (2.756 in.) apart.
Use the two M3x6 screws to secure the A/C adapter sleeve mount under the desk.



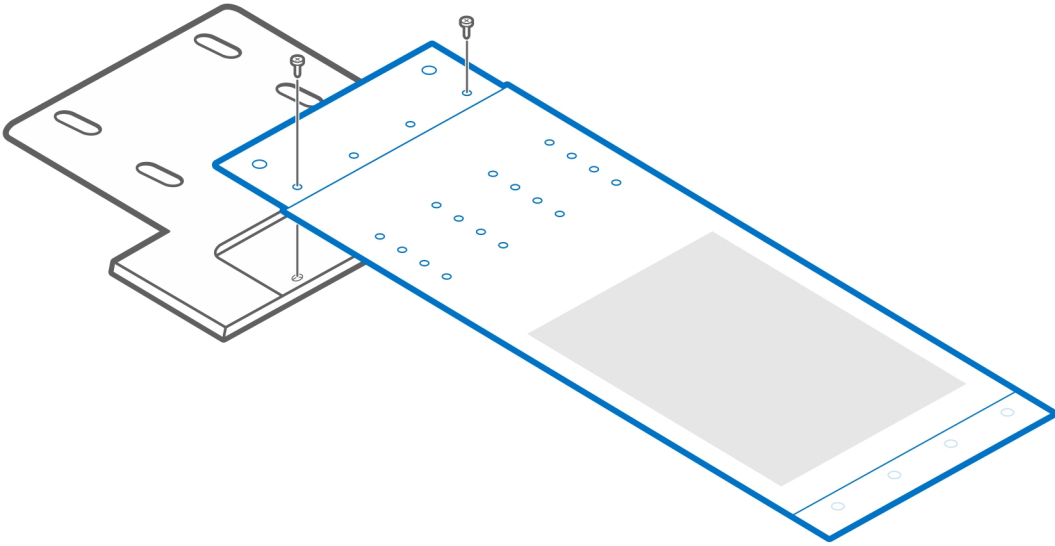
5. Follow the instructions in [After installing the accessory](#).

Related-links:

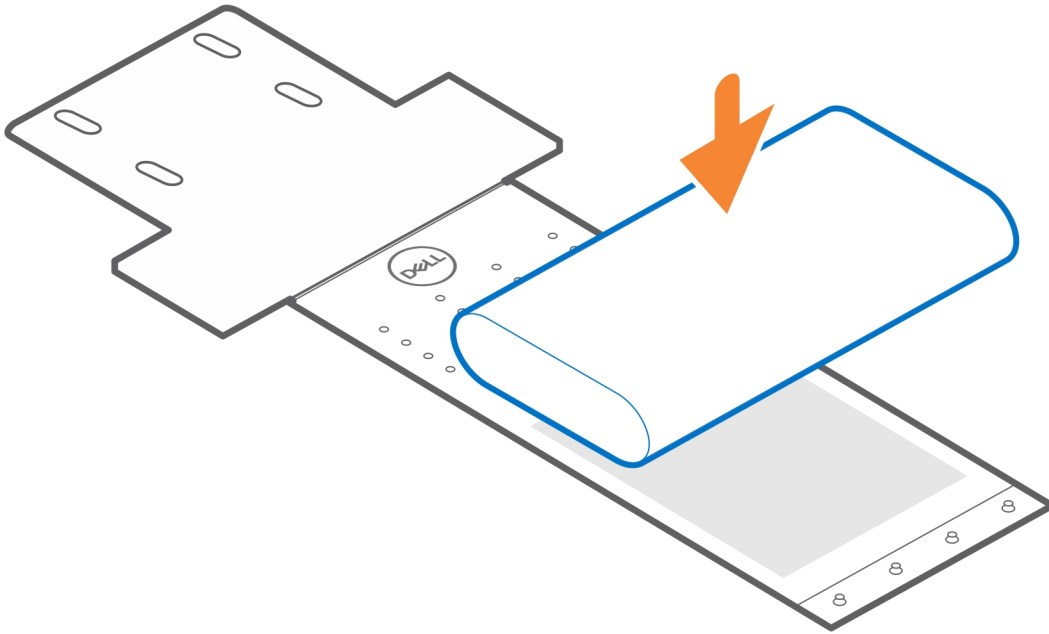
- [Precision Compact VESA sleeve mount](#)
- [Precision Compact Dual VESA sleeve mount](#)
- [Precision Compact Dust Filter](#)
- [Precision Compact Cable Cover](#)
- [Dell monitor stand VESA mount](#)

On the monitor stand

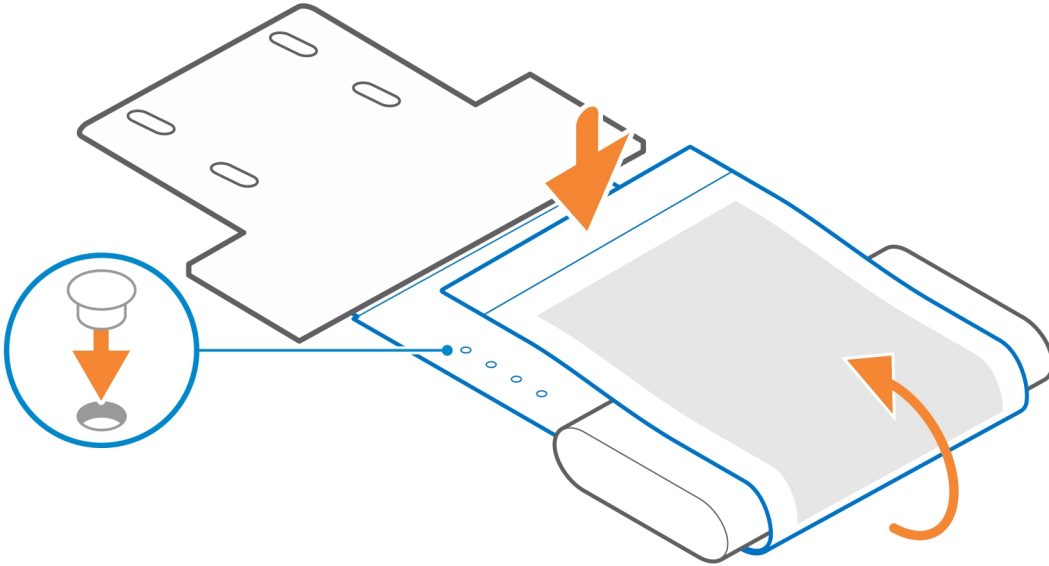
1. Follow the instructions in [Before you begin](#).
2. Turn over the monitor stand and place the A/C adapter sleeve mount on the [Dell monitor stand base extender](#).
3. Install the two M3x6 screws to secure the Dell A/C adapter sleeve mount to the base extender.



4. Place the A/C adapter in the A/C adapter sleeve mount.



5. Wrap the sleeve around the A/C adapter and insert the retaining tabs into the holes at an appropriate level.



6. Follow the instructions in [After installing the accessory](#).

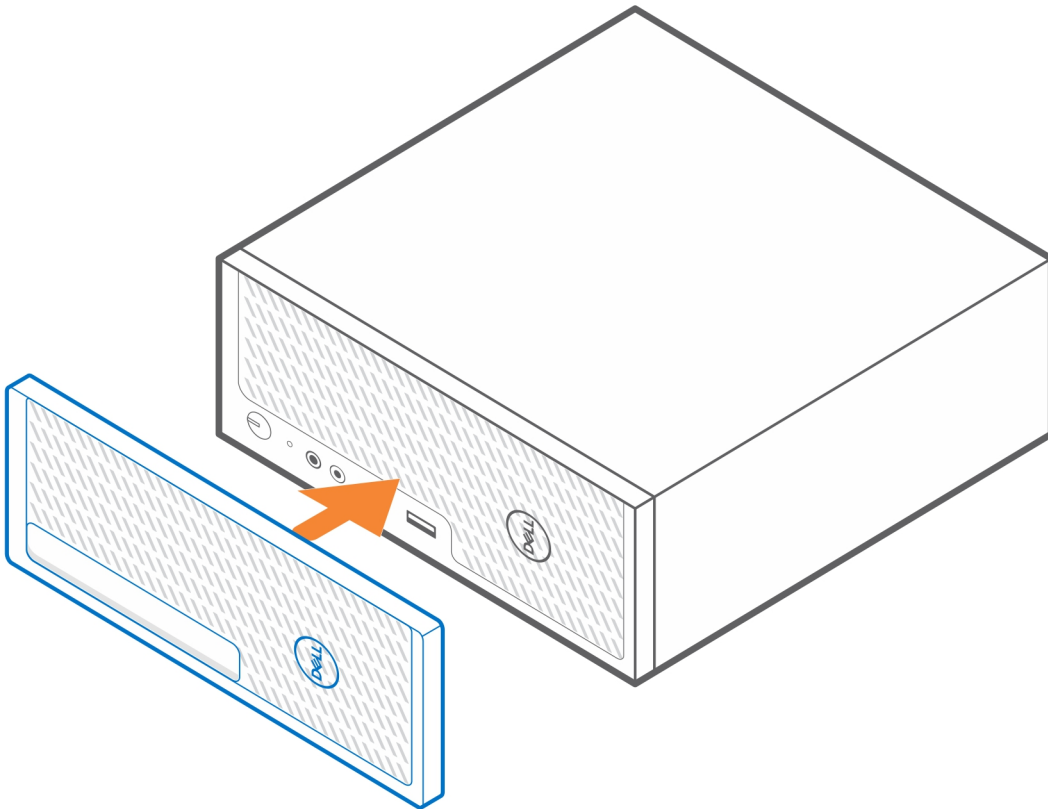
Related-links:

- [Precision Compact VESA sleeve mount](#)
- [Dell monitor stand VESA mount](#)
- [Precision Compact Dust Filter](#)
- [Precision Compact Cable Cover](#)

Precision Compact Dust Filter

The dust filter for the Dell Precision 3240 Compact helps protect the system from fine dust particles. After installation, you can set a pre-boot reminder in the BIOS to clean or replace the dust filter at customized time interval using the interval setting in the BIOS.


1. Follow the instructions in [Before you begin](#).
2. Align the top edge of the dust filter with the top edge of the system.
3. Press the lower edge of the dust filter to close over the system.
4. Gently press down to ensure that the filter fits snugly onto the system.



5. Follow the instructions in [After installing the accessory](#).
6. Restart the system and press **F2** at the Dell splash screen to enter the BIOS Setup menu.
7. In the BIOS Setup menu, go to **System Configuration > Dust Filter Maintenance** and select from any of the following intervals: 15, 30, 60, 90, 120, 150, or 180 days.

i **NOTE:** Default setting: Disabled.

i **NOTE:** Alerts are generated only during a system reboot and not during normal operating system operation.


 **NOTE:** To clean the dust filter, brush or gently vacuum and then wipe down the external surfaces with a moist cloth.

Related-links:

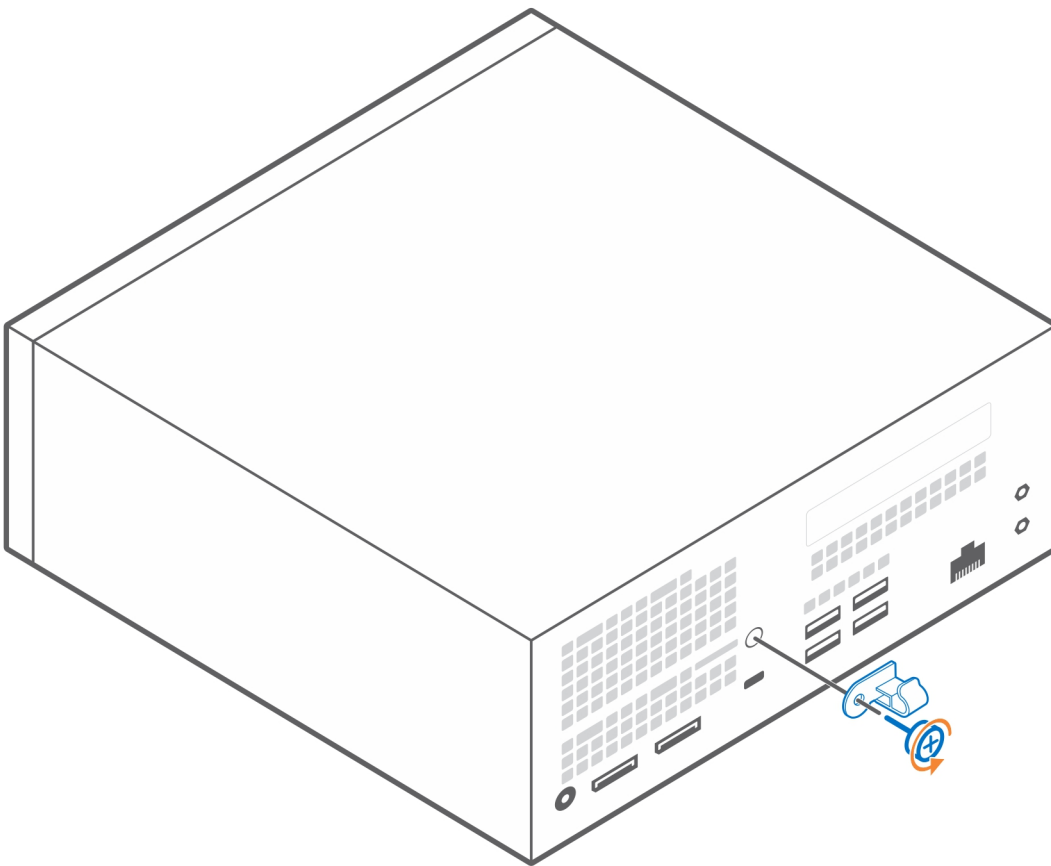
- [Precision Compact VESA sleeve mount](#)
- [Precision Compact Dual VESA sleeve mount](#)
- [Dell monitor stand VESA mount](#)
- [Dell A/C adapter sleeve mount](#)
- [Precision Compact Cable Cover](#)

Precision Compact Cable Cover

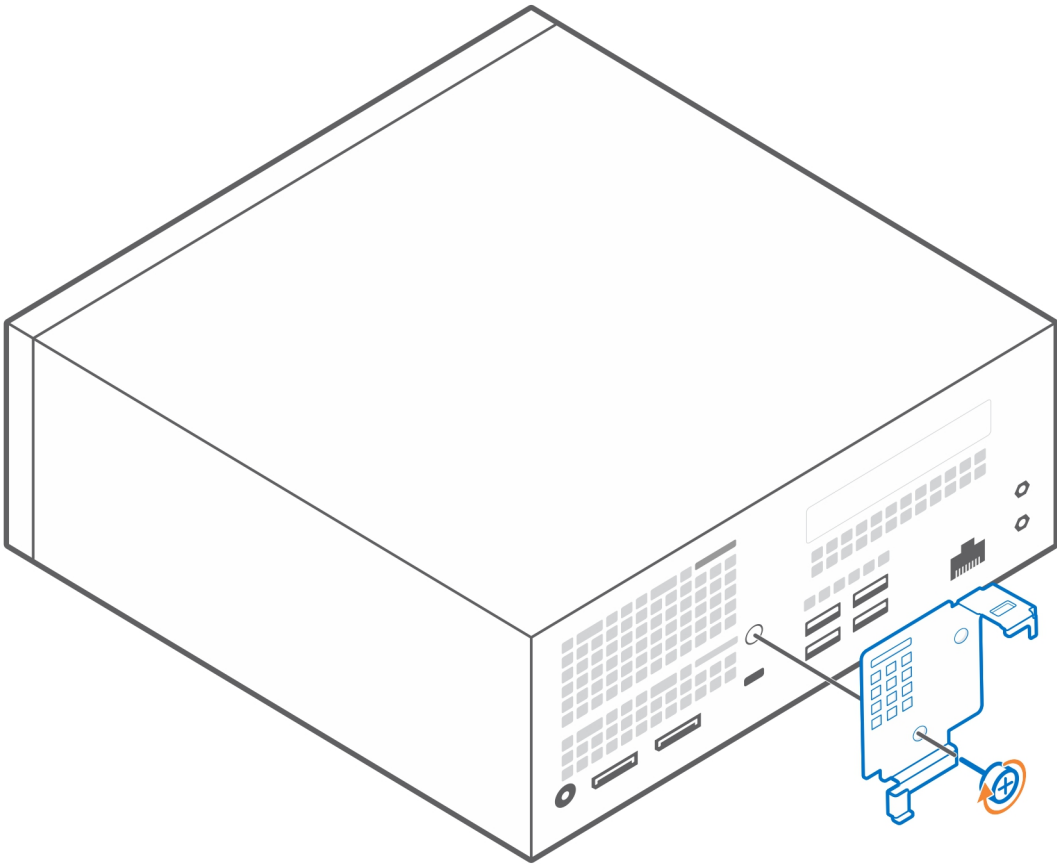
The cable cover for the Dell Precision 3240 Compact system protects the ports and organize cables that are connected to the system unit.

1. Follow the instructions in [Before you begin](#).
2.  **NOTE:** Images that are shown below may vary depending on your system configuration.

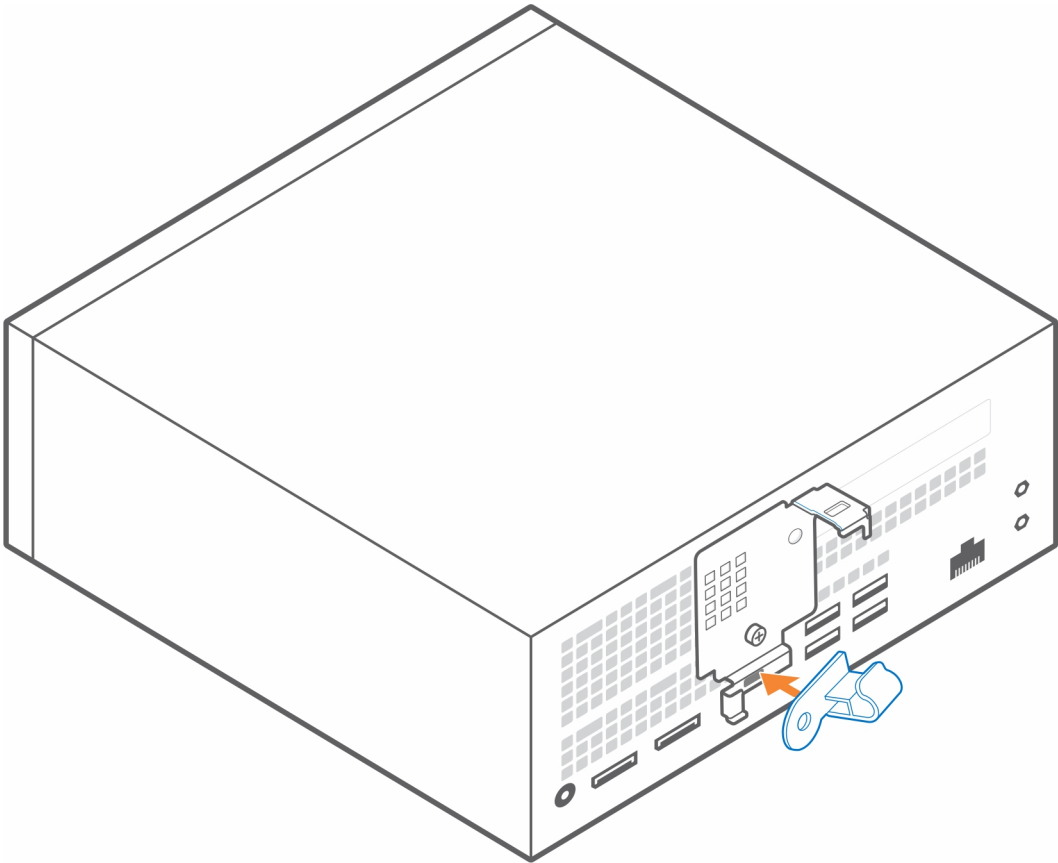
Remove the thumbscrew and the cable clip from the rear of the system unit.



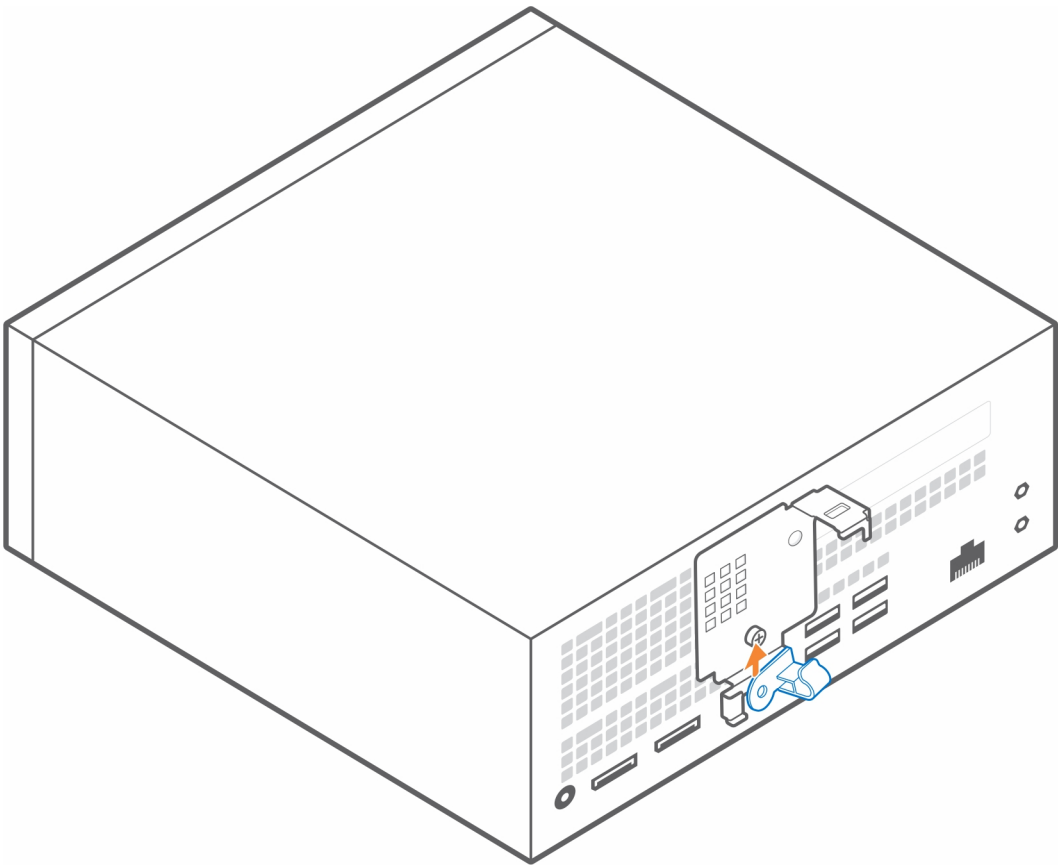
3. Align the rear bracket along with the system.
4. Use the thumbscrew to secure the rear bracket along with the system.

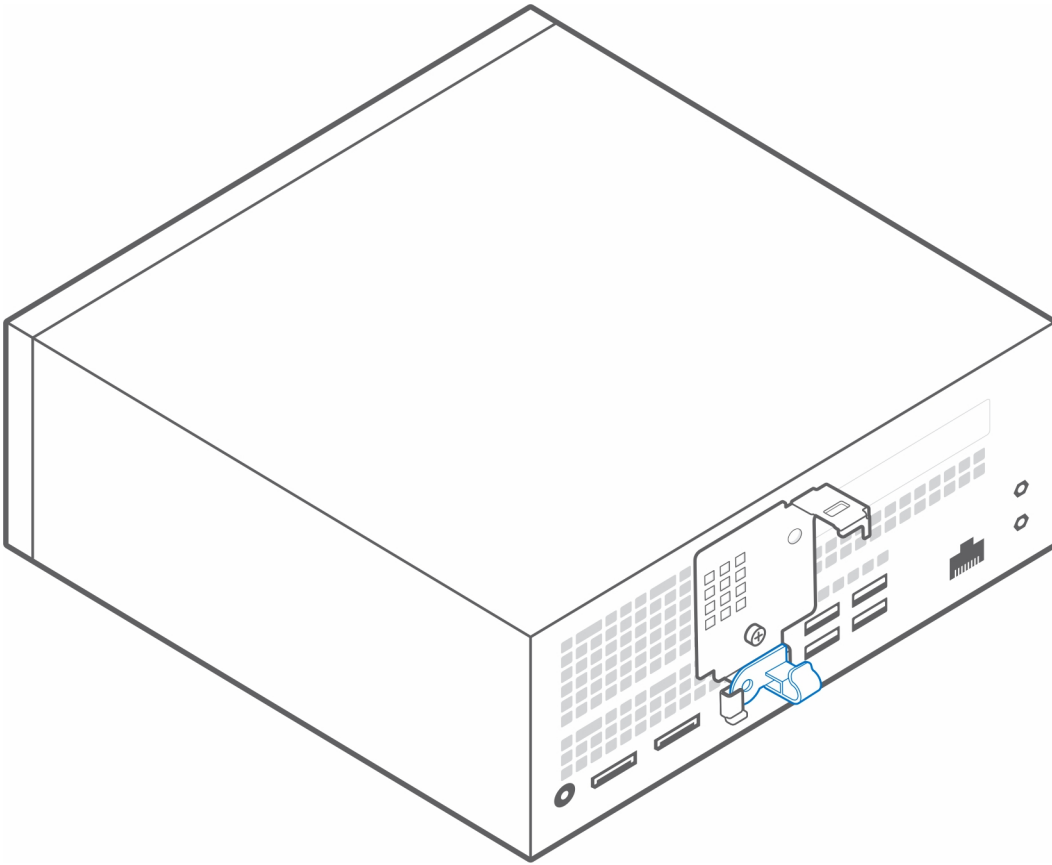


5. Insert the clip into the hole in the cable cover and tilt it diagonally to the left



6. Return the left-slanted clip horizontally and fit it on the cable cover.

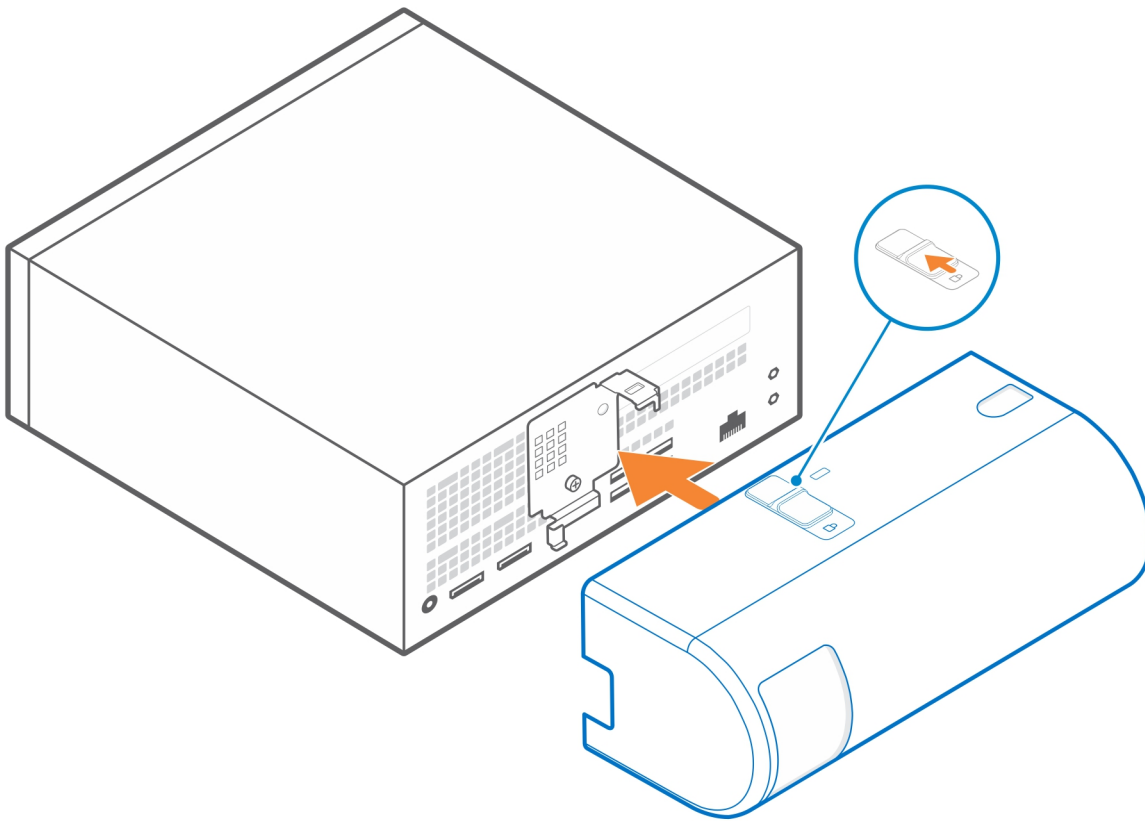




7. Align the cable cover retaining hooks into the slots on the Dell Precision 3240 Compact chassis.

CAUTION: Take care not to bend or break the delicate plastic hooks.

8. Slide the latch to lock the cable cover in place.



i **NOTE:** For added security, use the Kensington cable lock to secure the system unit.

Related-links:

- [Precision Compact VESA sleeve mount](#)
- [Precision Compact Dual VESA sleeve mount](#)
- [Dell monitor stand VESA mount](#)
- [Dell A/C adapter sleeve mount](#)
- [Precision Compact Cable Cover](#)

After installing the accessory



1. Replace all screws and ensure that no stray screws remain.
2. Connect any external devices, peripherals, or cables you removed before working on your system.
3. Connect your system and all attached devices to their electrical outlets.
4. Turn on your system.

Getting help and contacting Dell

Self-help resources



You can get information and help on Dell products and services using these self-help resources:

Table 1. Self-help resources

Self-help resources	Resource location
Information about Dell products and services	https://www.dell.com/
Dell Support	
Tips	
Contact Support	In Windows search, type Contact Support , and press Enter.
Online help for operating system	<ul style="list-style-type: none"> Windows: https://www.dell.com/support/windows Linux: https://www.dell.com/support/linux
Troubleshooting information, user manuals, set up instructions, product specifications, technical help blogs, drivers, software updates, and so on.	https://www.dell.com/support/home/
Dell knowledge base articles for various of system concerns:	<ol style="list-style-type: none"> Go to https://www.dell.com/support/home/?app=knowledgebase. Type the subject or keyword in the Search box. Click Search to retrieve the related articles.
Learn and get more information about your product: <ul style="list-style-type: none"> Product specifications Operating system Setting up and using your product Data backup Troubleshooting and diagnostics Factory and system restore BIOS information 	Dell provides several online and telephone-based support and service options. If you do not have an active Internet connection, you can find contact information about your purchase invoice, packing slip, bill, or Dell product catalog. <ul style="list-style-type: none"> Select Detect Product. Locate your product through the drop-down menu under View Products. Enter the Service Tag number or Product ID in the search bar. Once on product support page, scroll down to Manuals and Documents section to preview all the Manuals, documents, and other information for your product.

Contacting Dell




Dell provides several online and telephone-based support and service options. If you do not have an active Internet connection, you can find contact information about your purchase invoice, packing slip, bill, or Dell product catalog. Availability varies by country/region and product, and some services may not be available in your area. To contact Dell for sales, technical support, or customer service issues:

1. Go to <https://www.dell.com/support/>.
 2. Select your country/region from the drop-down menu on the lower right corner of the page.
 3. For **customized support**:
 - a. Enter your system Service Tag in the **Enter your Service Tag** field.
 - b. Click **submit**.
 - The support page that lists the various support categories is displayed.
 4. For **general support**:
 - a. Select your product category.
 - b. Select your product segment.
 - c. Select your product.
 - The support page that lists the various support categories is displayed.
 5. For contact details of Dell Global Technical Support, see <https://www.dell.com/contactdell>.
 **NOTE:** The Contact Technical Support page is displayed with details to call, chat, or email the Dell Global Technical Support team.
-  **NOTE:** Availability varies by country/region and product, and some services may not be available in your area.

Screw size list

This section shows the different types of screws used with the Dell Precision 3240 accessories.

Table 2. Screw size list and location

Location			
	M4x10	M4x6	M3x6
Precision Compact VESA Sleeve Mount	4		
Precision Compact Dual VESA Sleeve Mount	4		
Dell Monitor Stand VESA Mount		4	
Dell Monitor Stand Base Extender		4	
Dell A/C adapter sleeve mount			2

Recommended tools

This section lists the different tools that may be required to deploy the Dell Precision 3240 Compact system with its supported accessories.

The procedures in this document require the following tools:

- Phillips #1 screwdriver



- Small flat blade screwdriver

