

P14 Slim PWM PST

Pressure-optimised 140 mm PWM Fan with integrated Y-cable

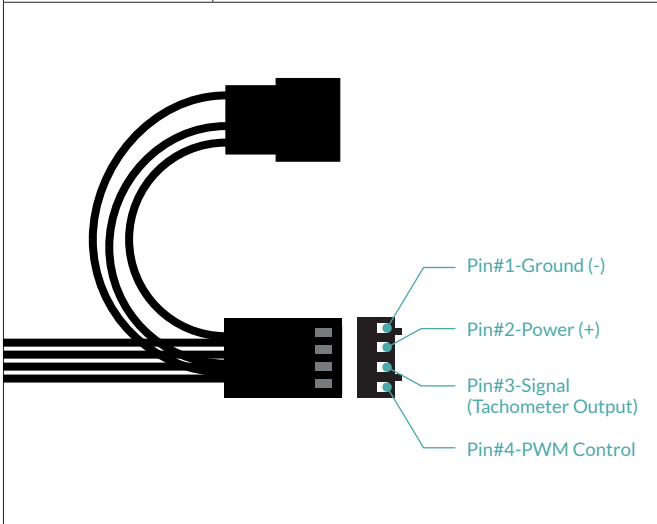


General Specifications

Dimensions	140 (L) x 140 (W) x 16 (H) mm
Net Weight	109 g
Warranty	6 Years

Fan Specifications

Fan Speed	150-1800 rpm 0 rpm below 5 % PWM
Airflow	88.35 m ³ /h 52 cfm
Static Pressure	1.55 mm H ₂ O
Noise Level	0.3 Sone
RPM-Control	Pulse Width Modulation - PWM
Fan Bearing	Fluid Dynamic Bearing
Connector	4 Pin Connector + 4 Pin Socket
Start Up Voltage	4 V
Current/Voltage	0.19 A/12 V DC
Cable Length	400 mm + 80 mm

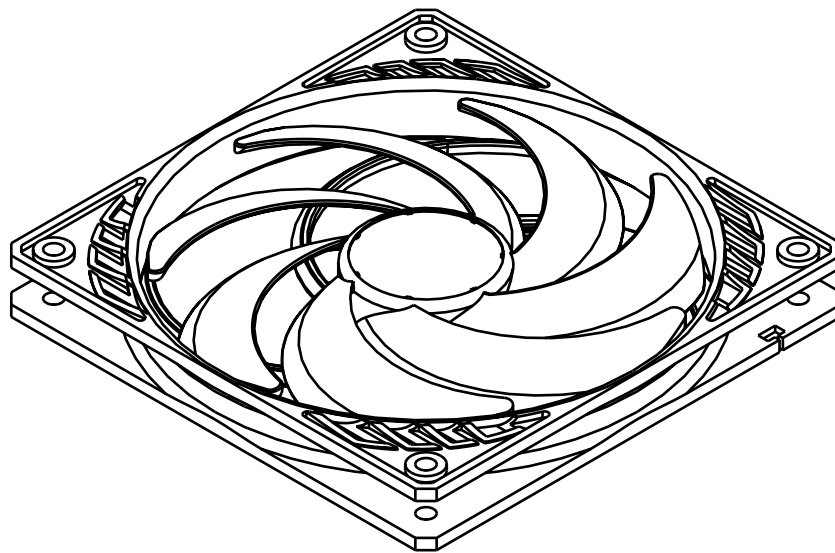
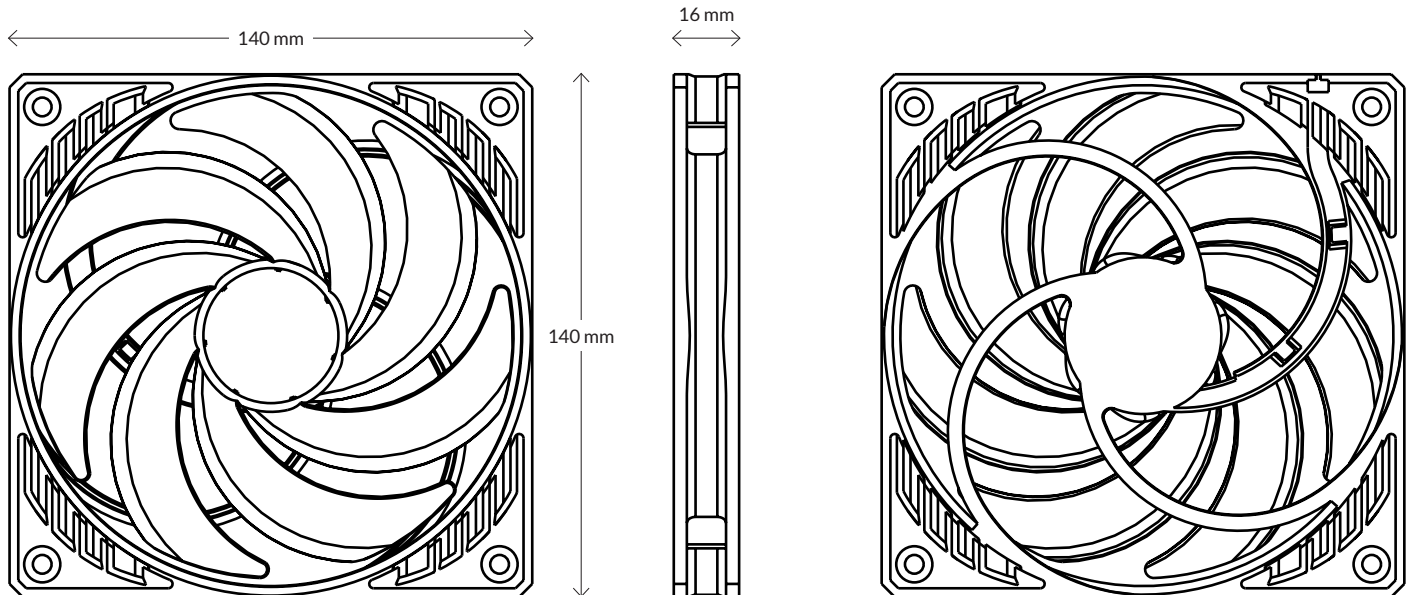


Shipping Information

Package Content	P14 Slim PWM PST x1 Mounting Screws x4
Box Dimensions	156 (L) x 143 (W) x 17 (H) mm
Gross Weight	151 g
SKU	ACFAN00268A
EAN	4895213703871
UPC	840033401685

P14 Slim PWM PST

Pressure-optimised 140 mm PWM Fan with integrated Y-cable



All materials are compatible with RoHS requirements

MORE INFORMATION



MANUALS

